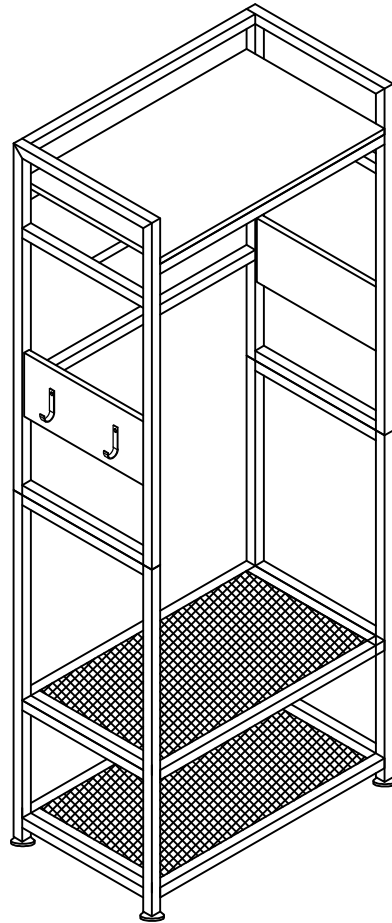


Coat rack

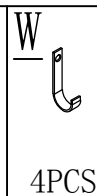
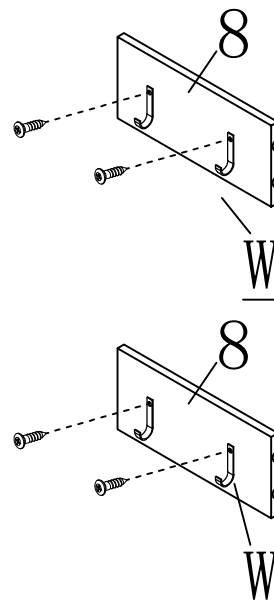
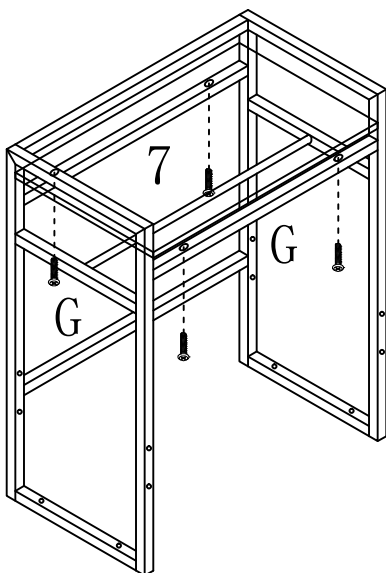
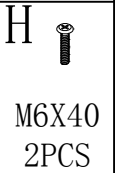
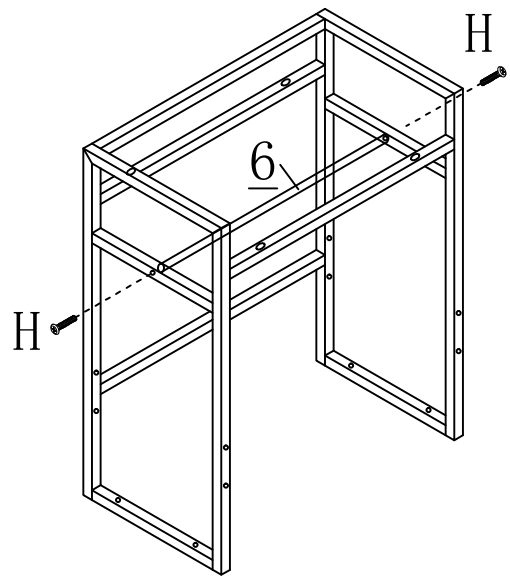
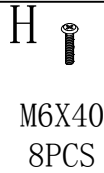
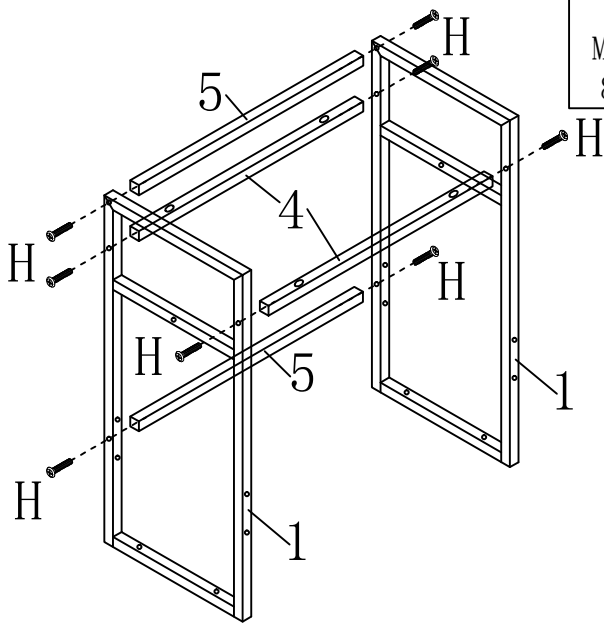
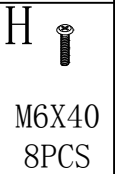
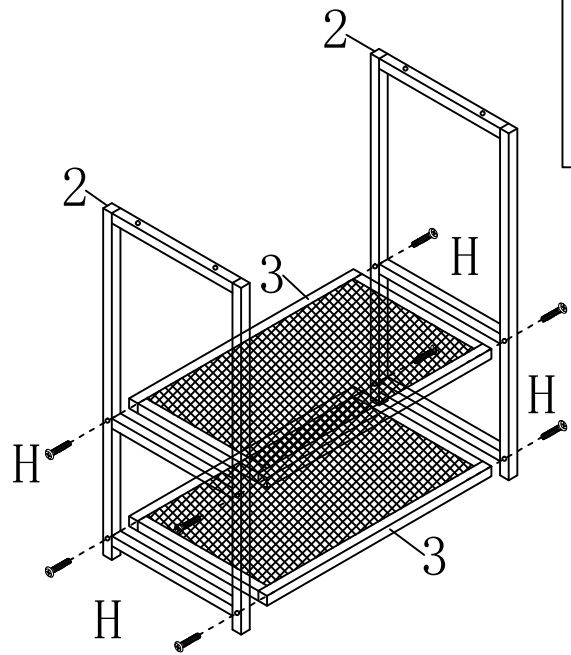
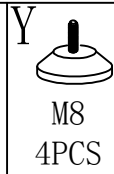
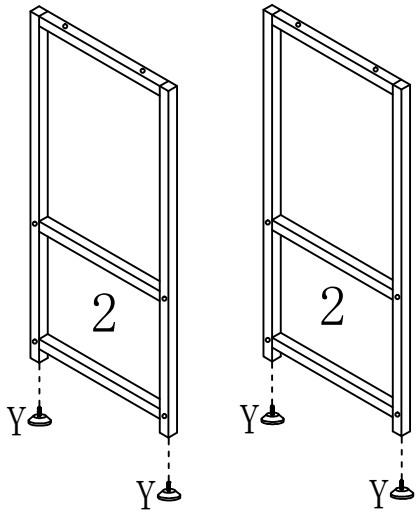


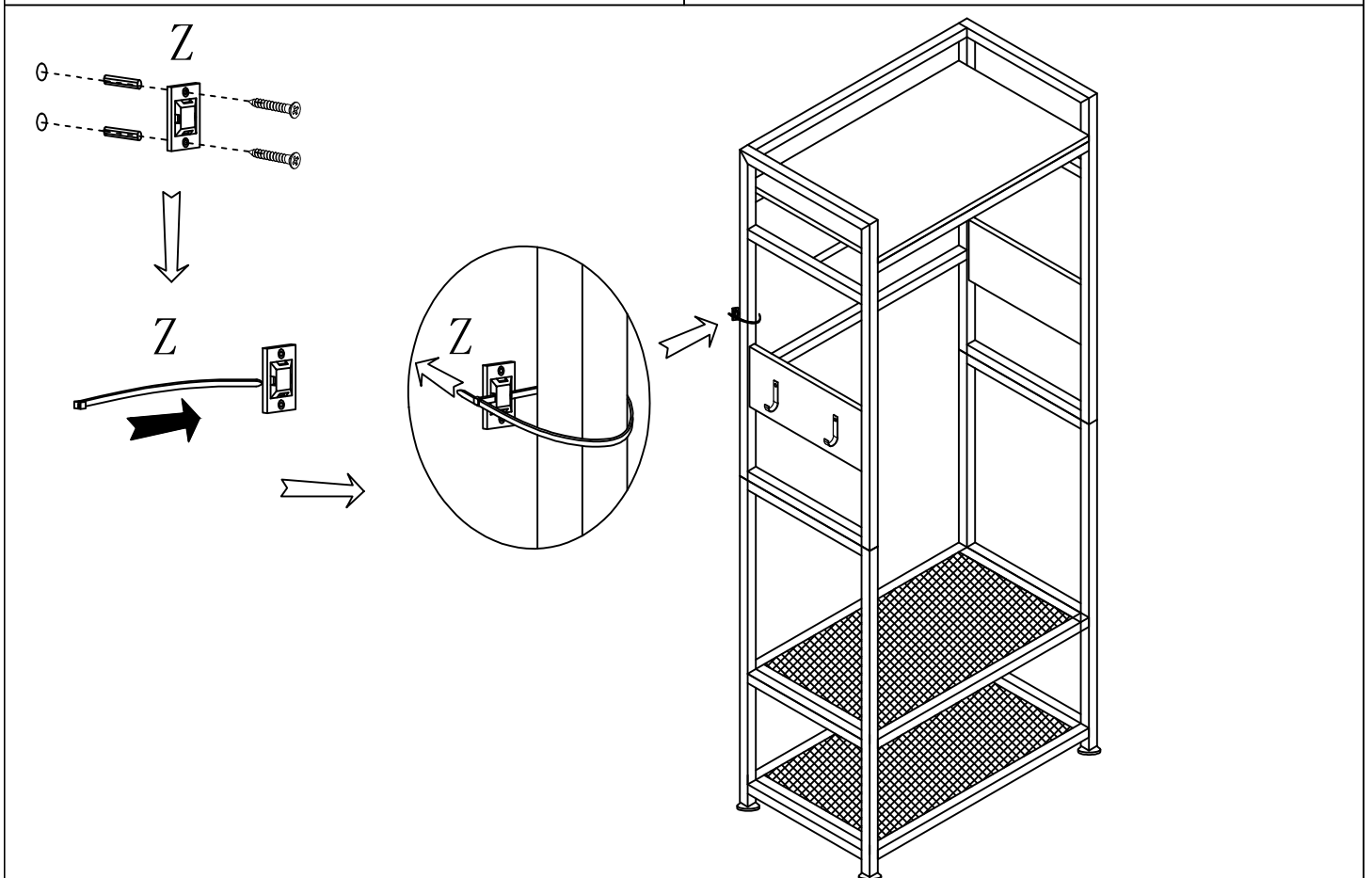
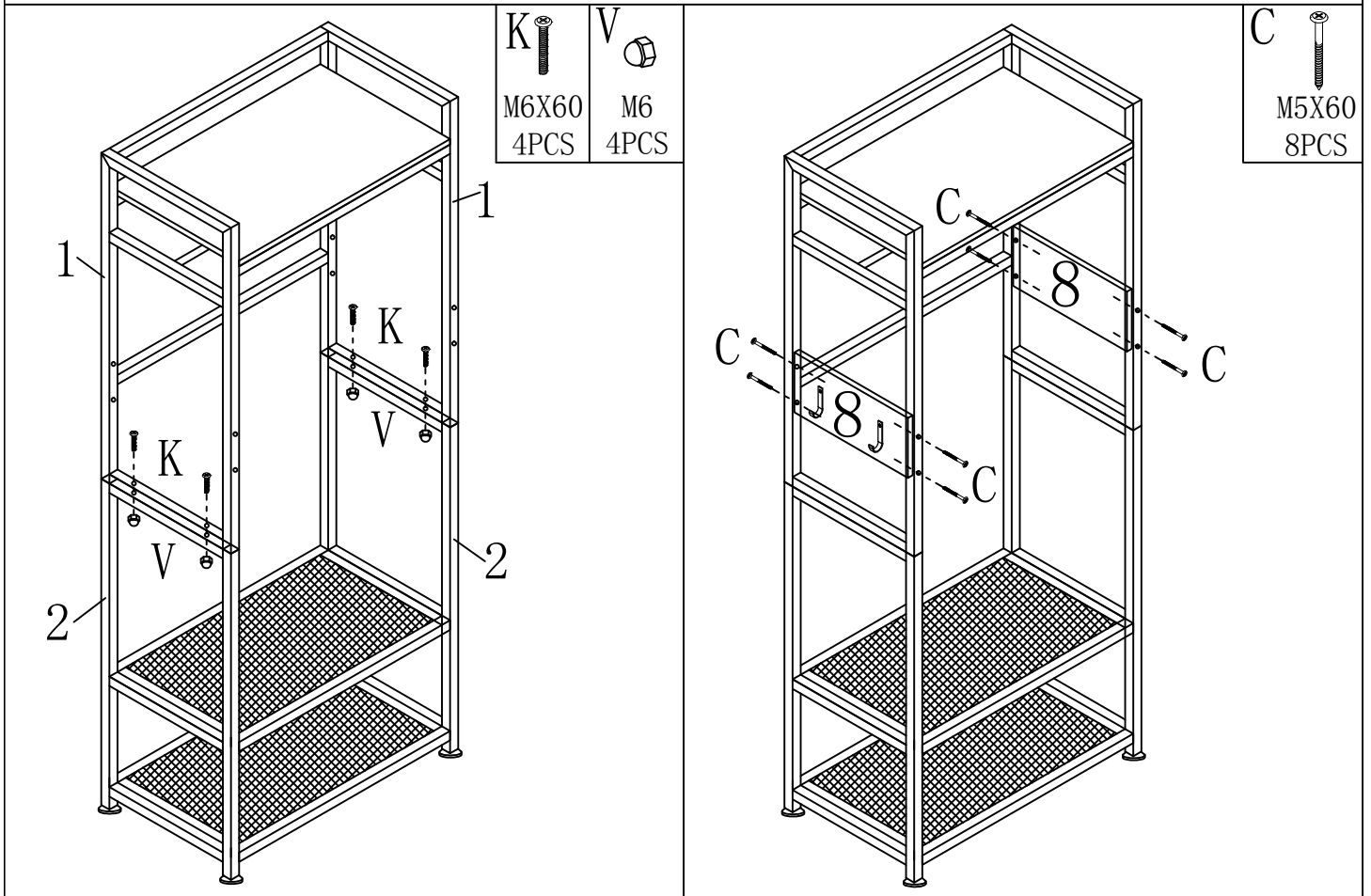
Notes: Don't tighten screws completely at first, just in case parts were assembled wrong and need disassemble. Tighten screws at last when all parts are put together

<p>1</p> <p>2PCS</p>	<p>2</p> <p>2PCS</p>	<p>3</p> <p>2PCS</p>	<p>4</p> <p>2PCS</p>	<p>5</p> <p>2PCS</p>					
<p>6</p>	<p>7</p>	<p>8</p> <p>2PCS</p>							
<p>C</p> <p>M5X60 8PCS</p>	<p>G</p> <p>M6X35 4PCS</p>	<p>H</p> <p>M6X40 18PCS</p>	<p>K</p> <p>M6X60 4PCS</p>	<p>V</p> <p>M6 4PCS</p>	<p>Y</p> <p>M8 4PCS</p>	<p>W</p> <p>4PCS</p>	<p>Q</p> <p>M5X16 4PCS</p>	<p>Z</p> <p>2PCS</p>	

ASSEMBLY INSTRUCTION

P2





Thanks for choosing File cabinets , your satisfaction is our priority.
If you have any installation problems or any damages caused by shipping, feel free to contact us , our friendly customer service will solve problem for you.