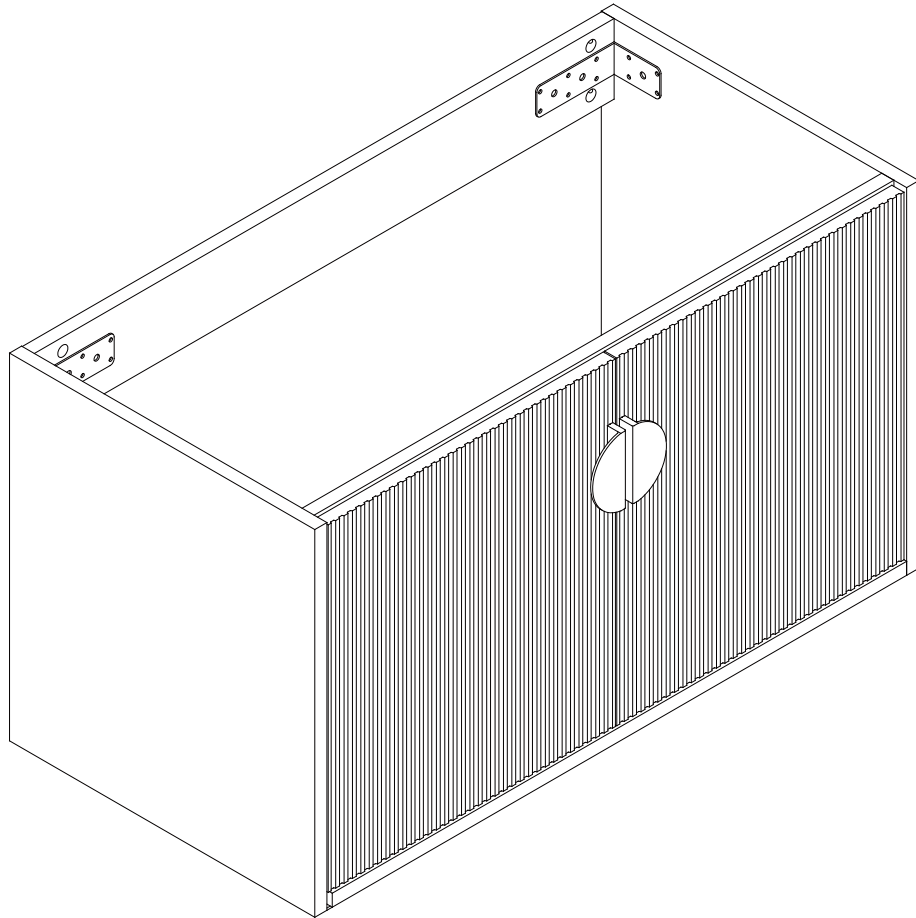
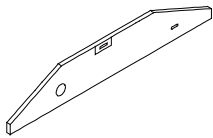
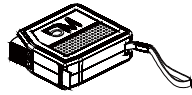


INSTRUCTION

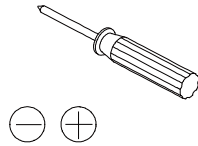




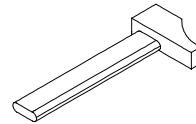
Spirit level



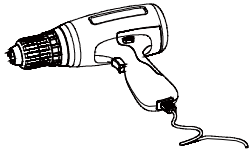
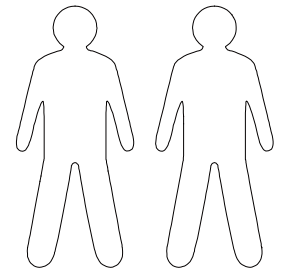
Tape measure
(3m~5m)



Screwdriver



Hammer



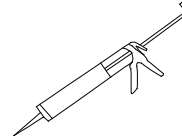
Electric drill



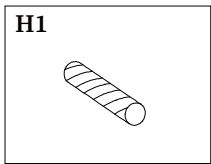
Drill bit
(Ø8)



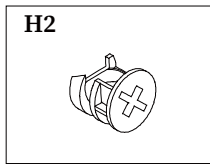
Pencil



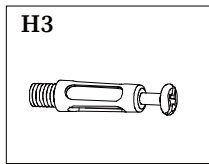
Silicone



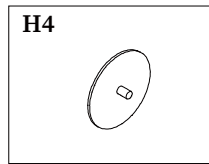
8*φ8*30



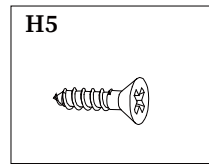
18*



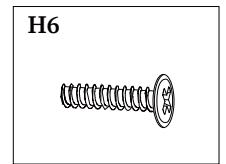
18*



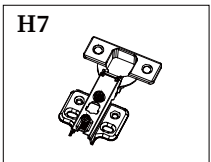
18*



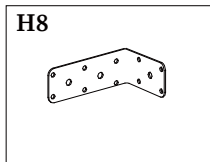
44*φ4*16



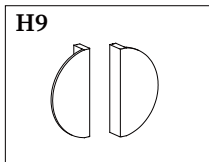
4*φ4*22



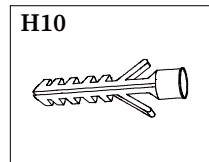
4*



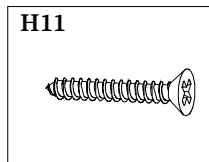
2*



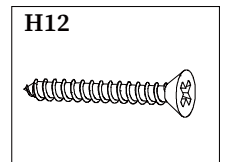
2*



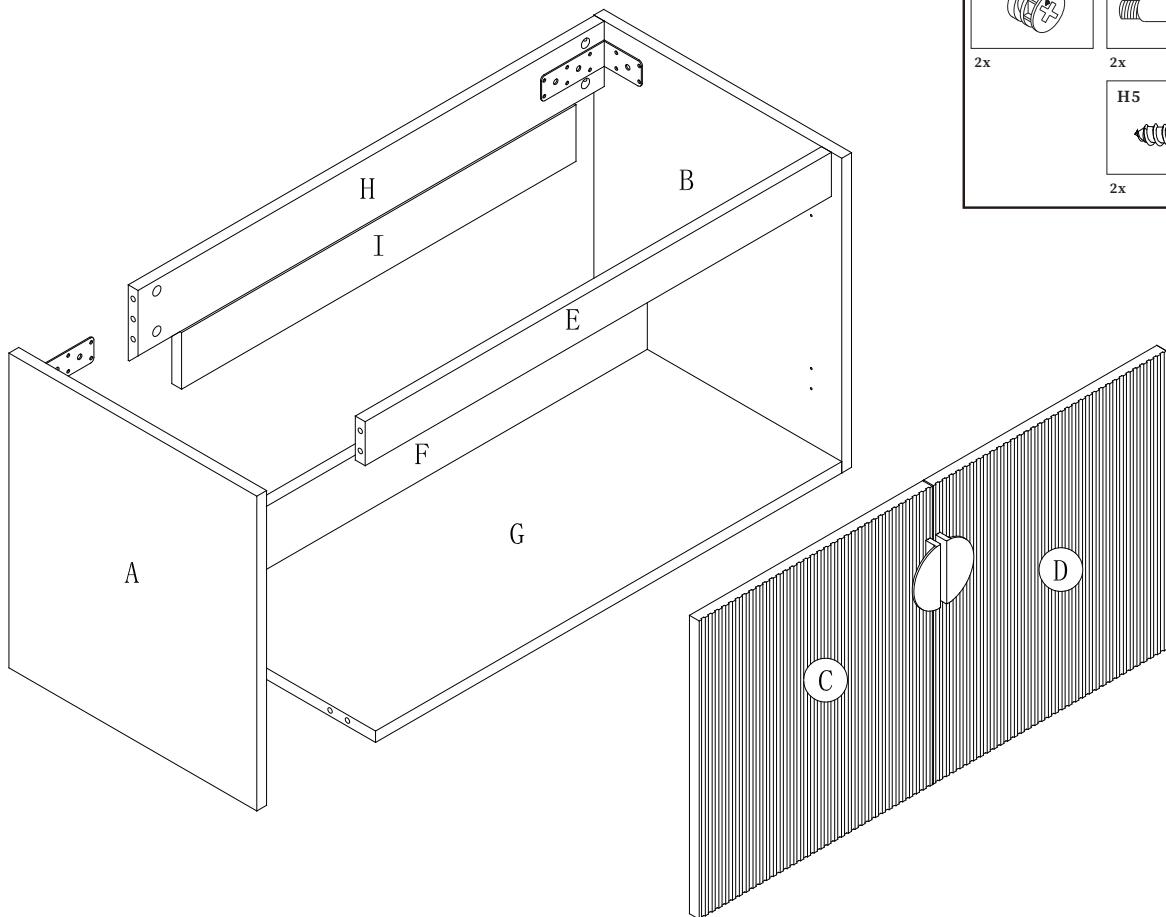
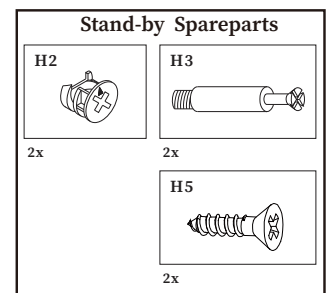
8*φ8*40

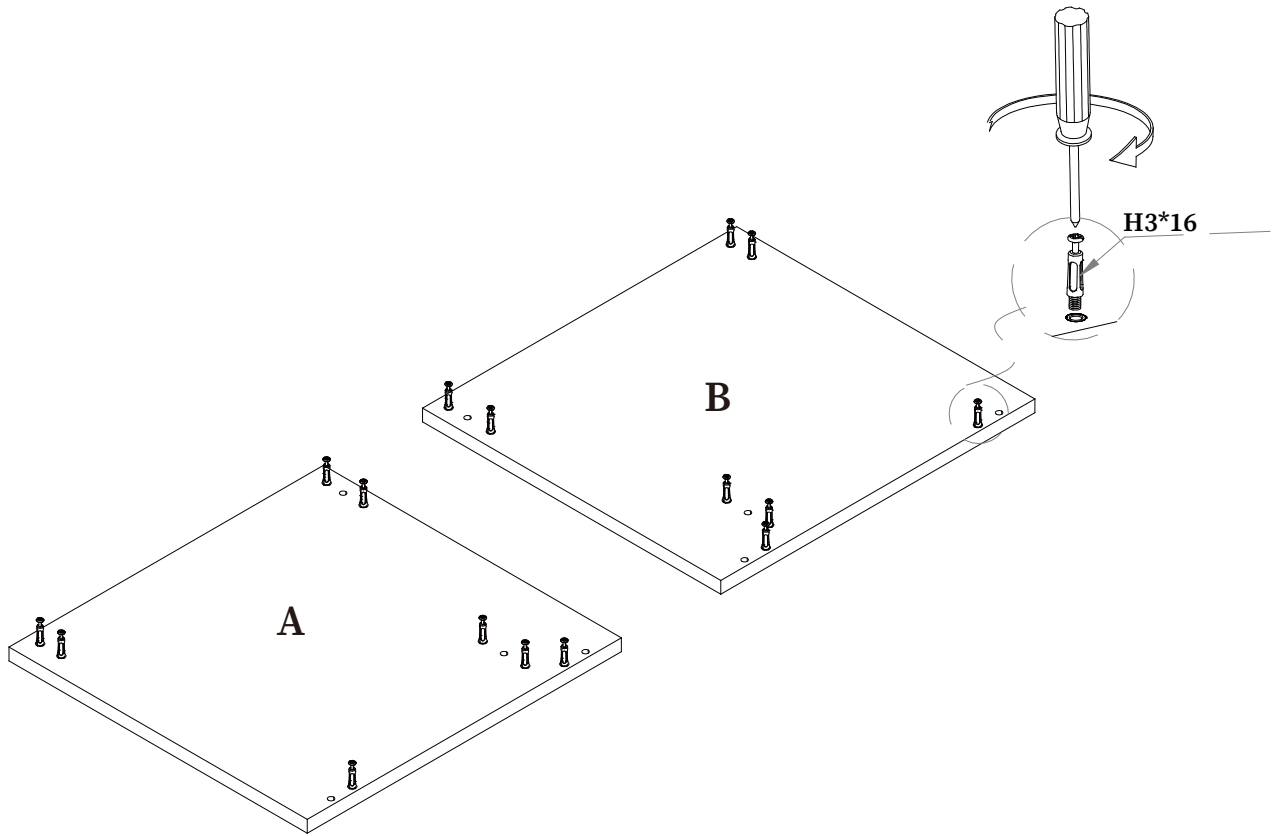


4*φ4*50

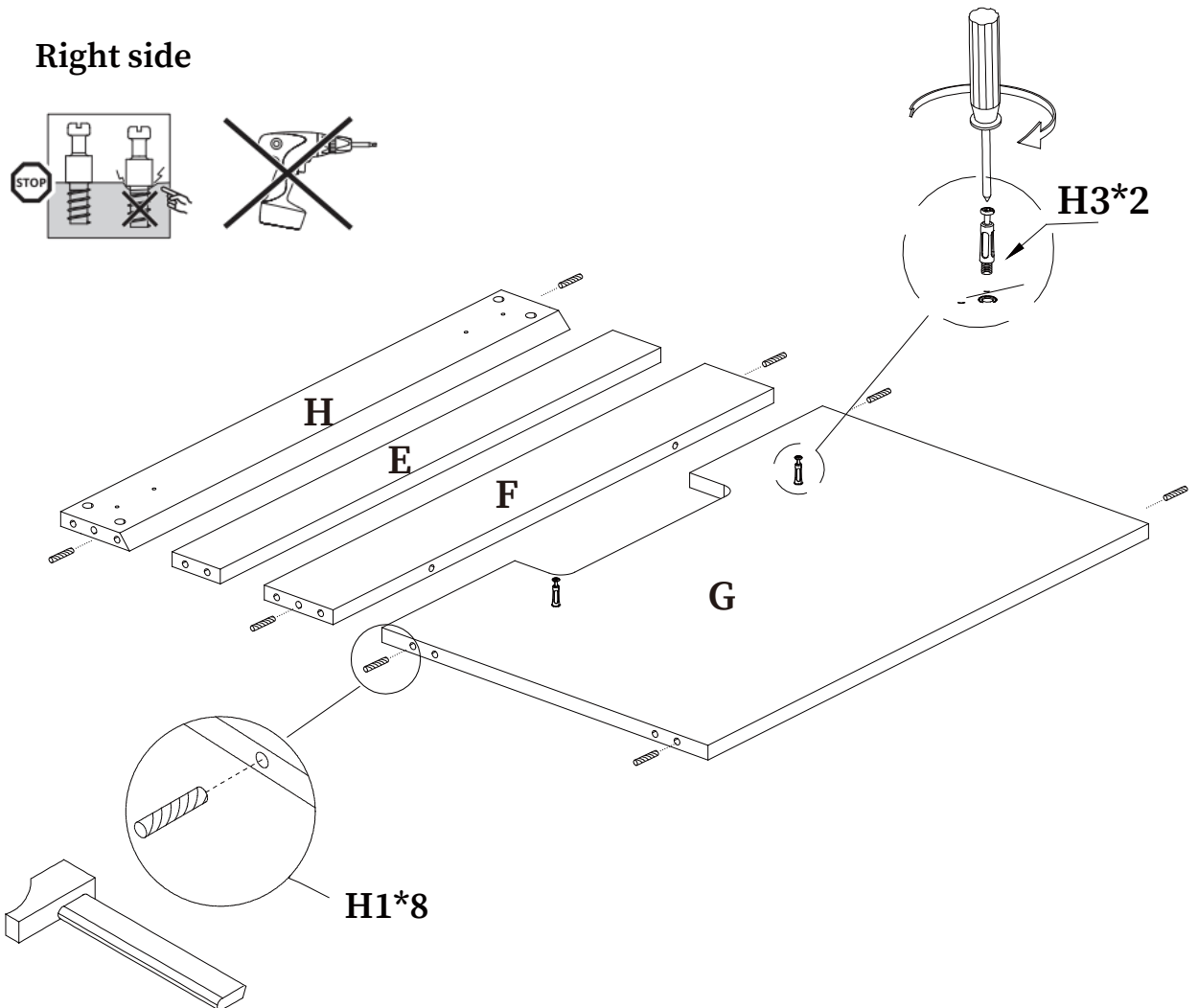
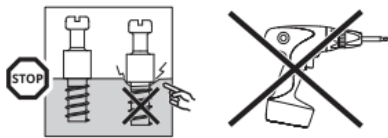


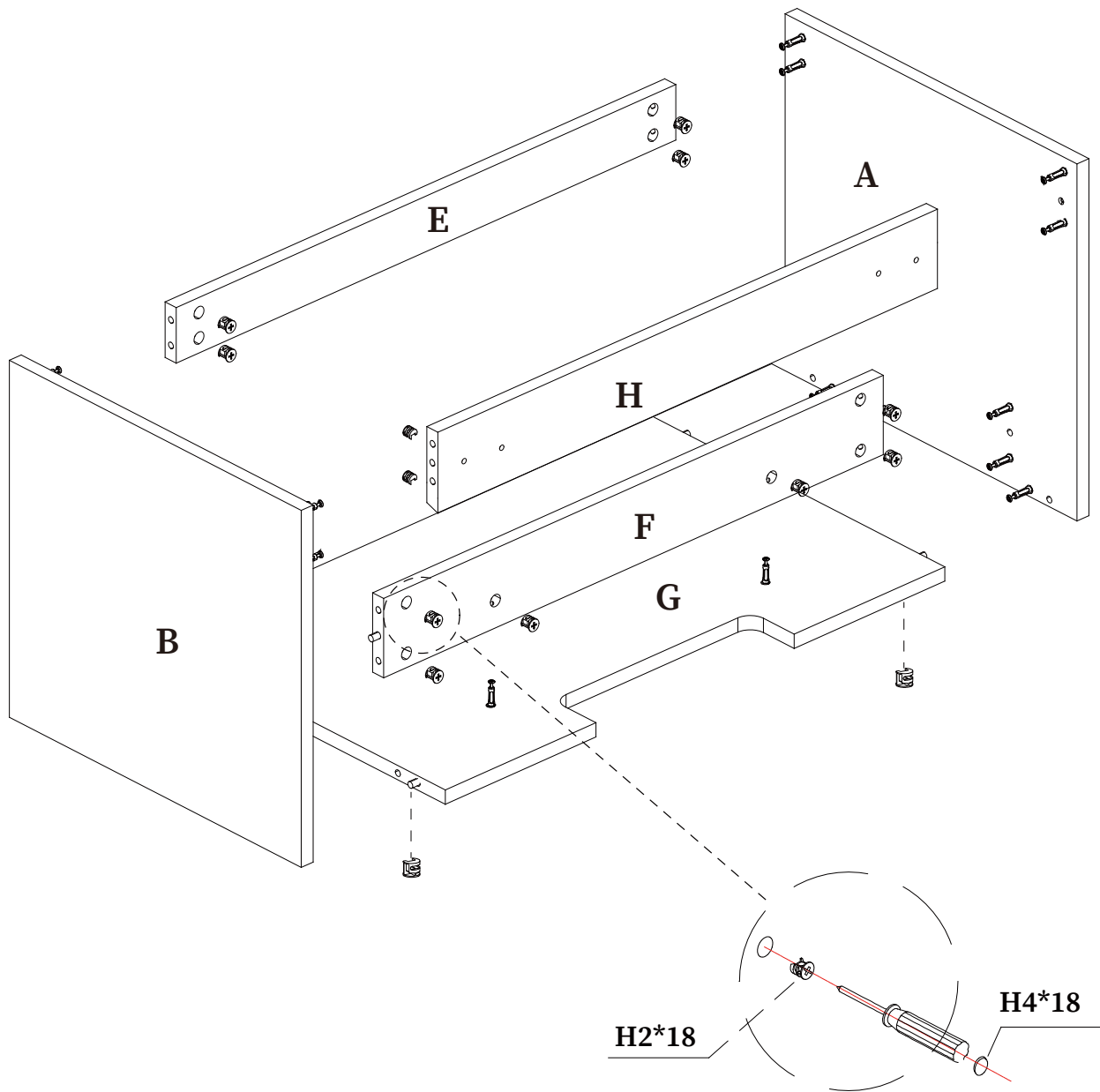
4*φ4*70

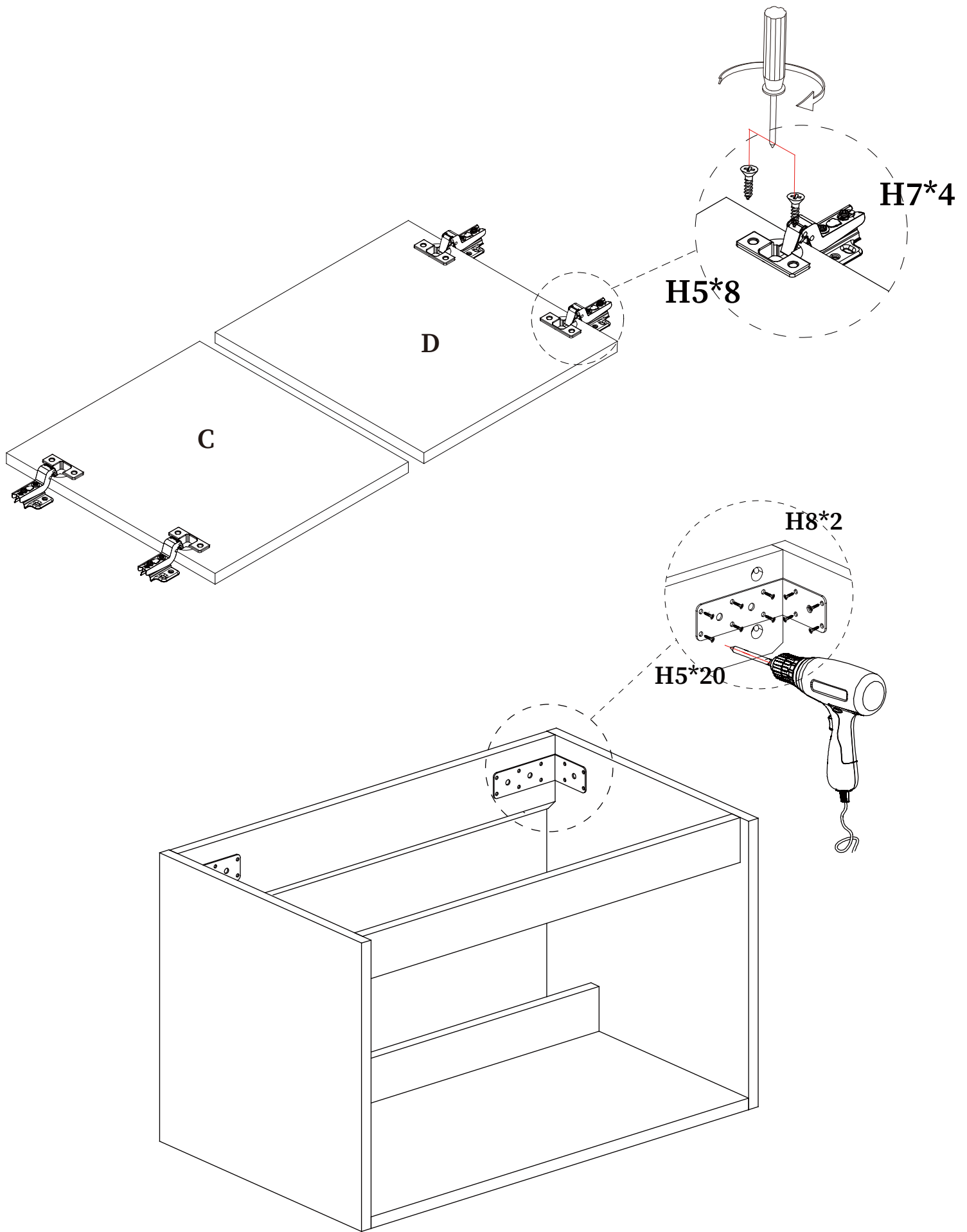


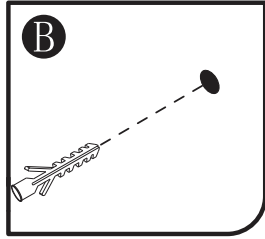
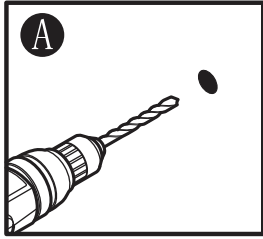


Right side



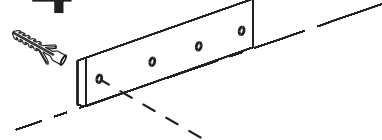




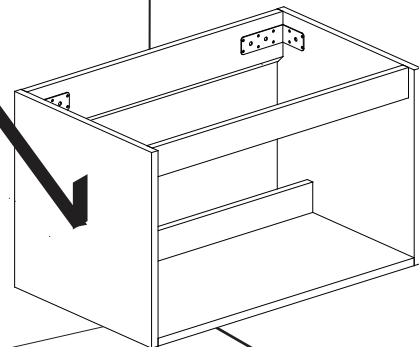
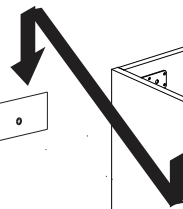
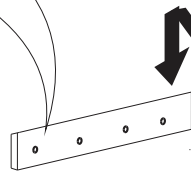
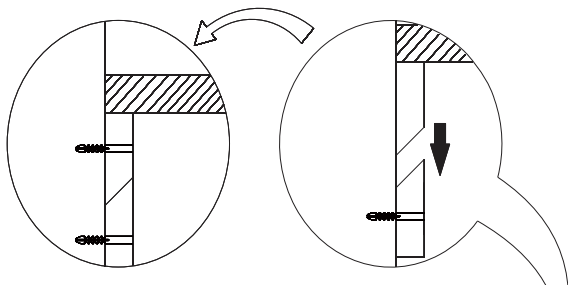


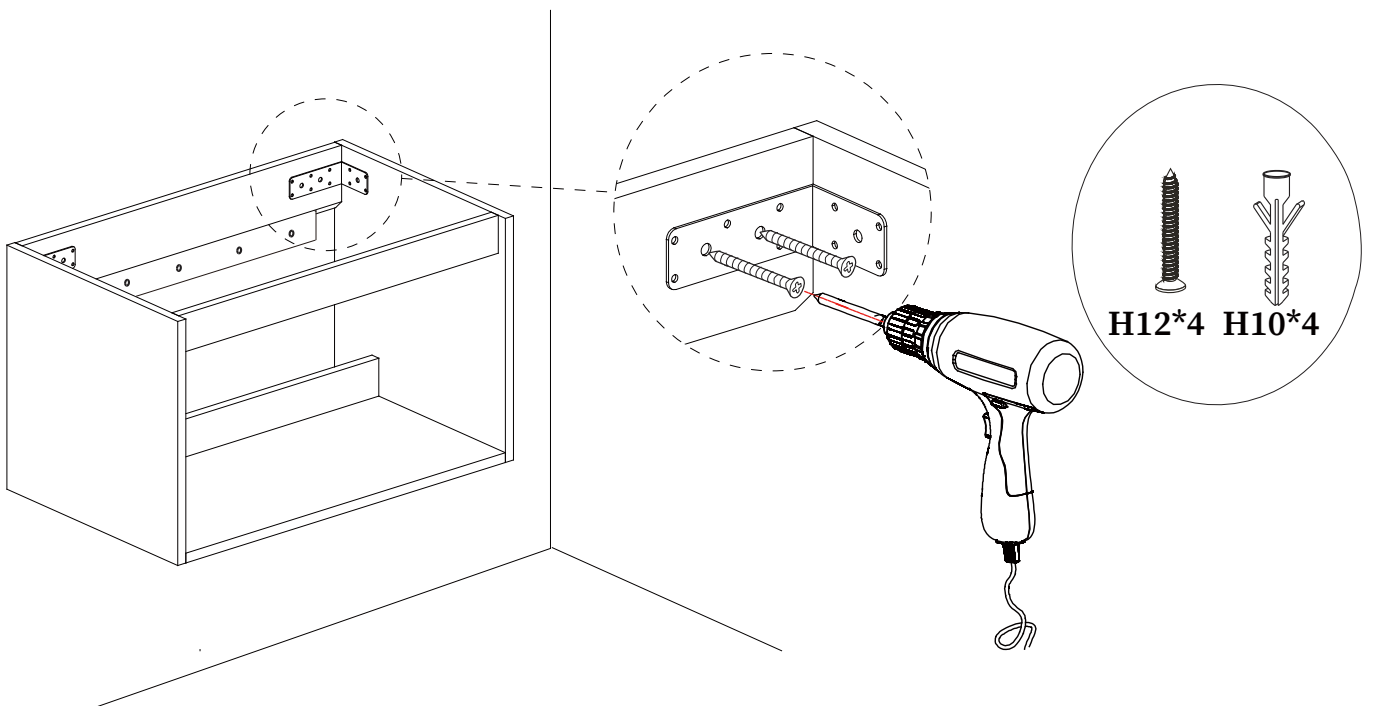
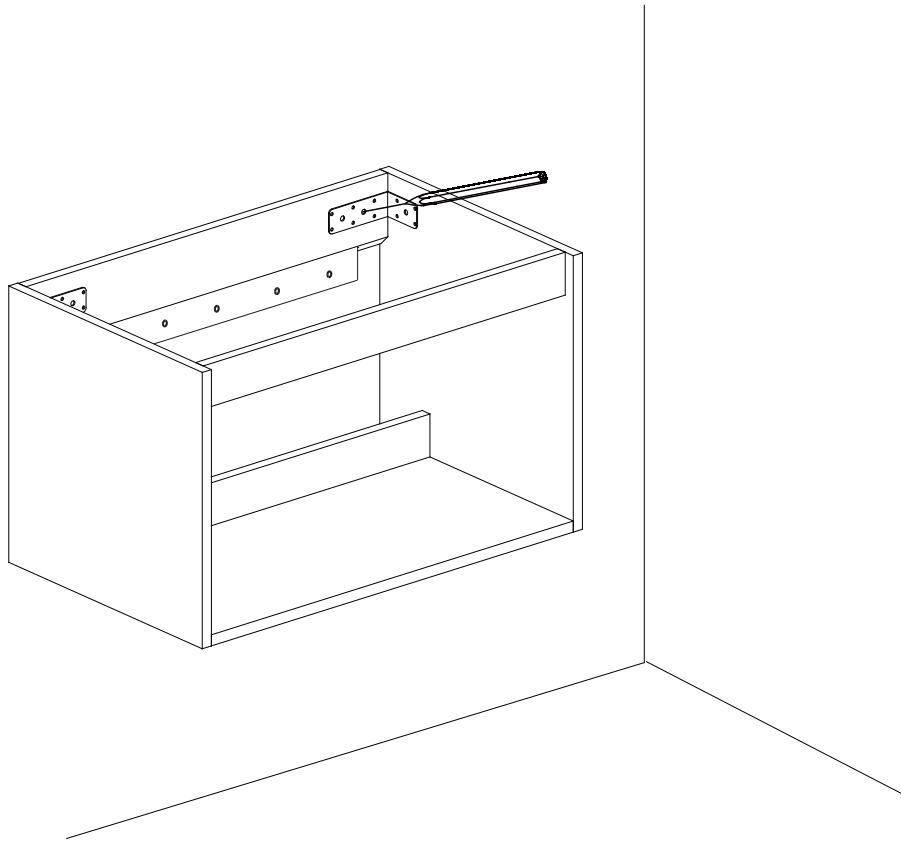
H10*4

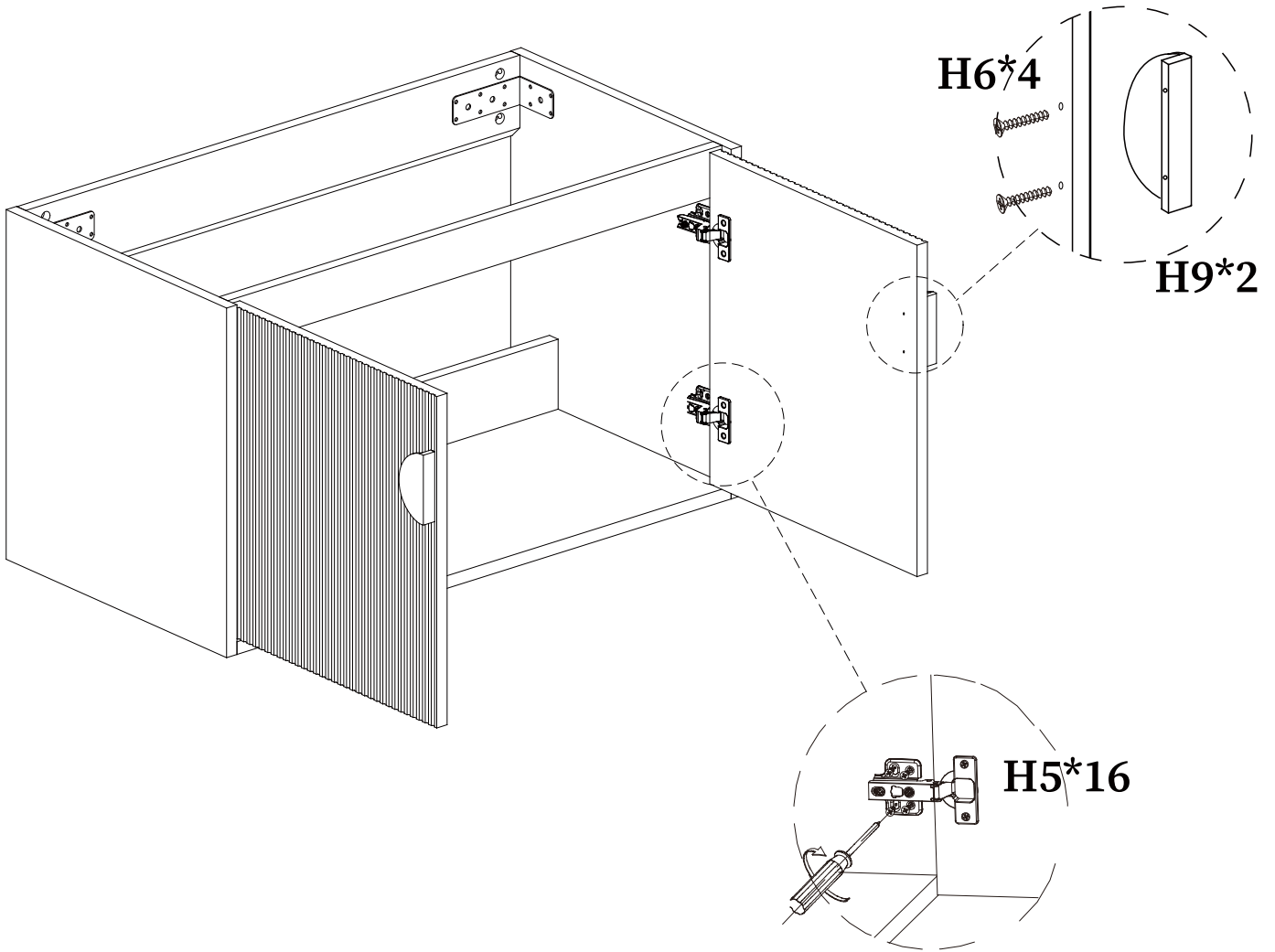
I



H11*4







HINGE ADJUST DETAIL

