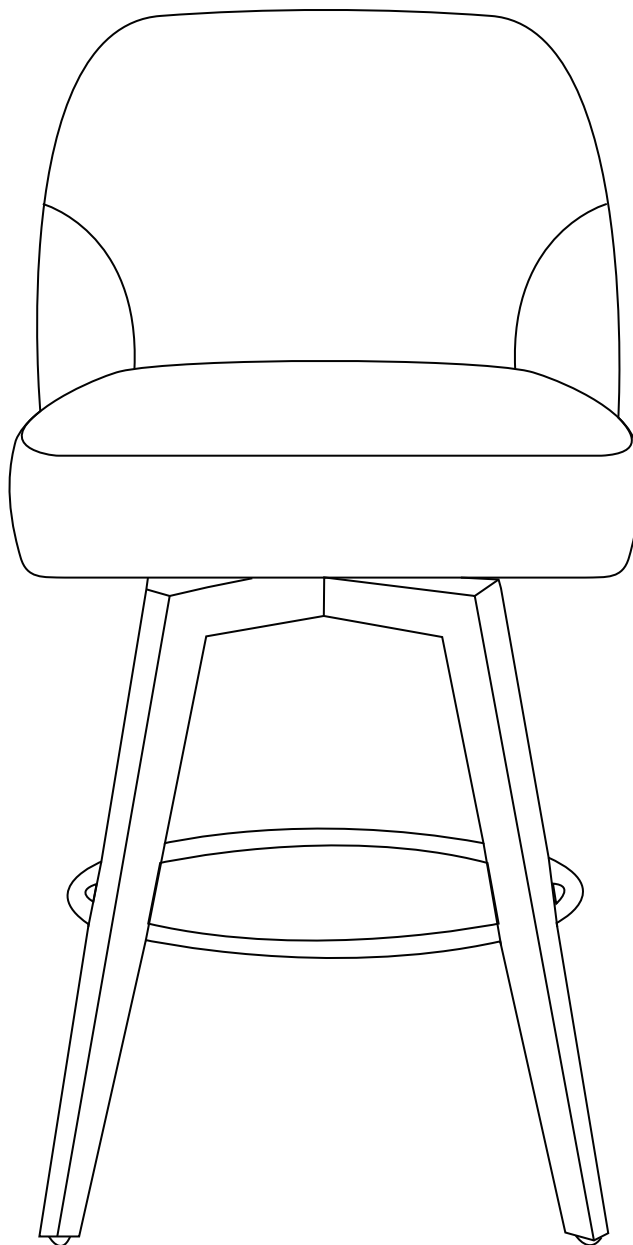


# Assembly Instruction

---

## Counter / Bar Height Swivel Stool

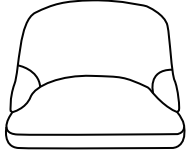
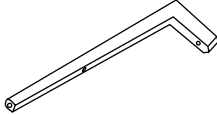

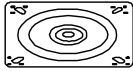


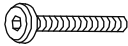
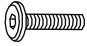
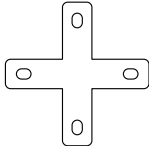
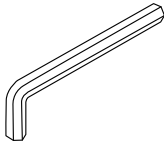
---

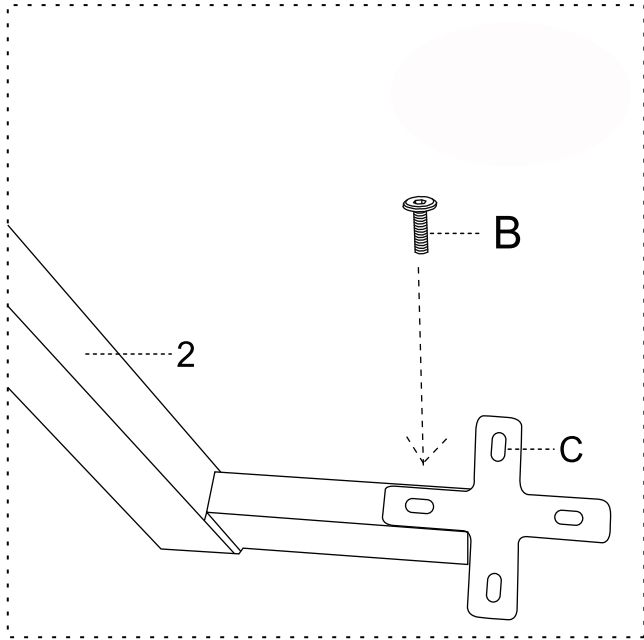
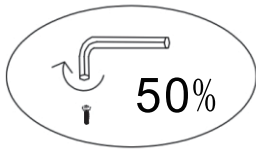
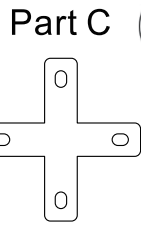
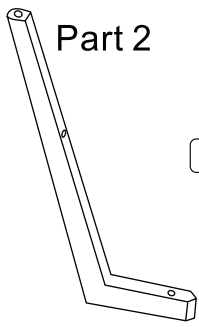
### **ASSEMBLY TIPS:**

1. Remove hardware from box and sort by size.
2. Please check to see that all hardware and parts are present prior to start of assembly.
3. Please follow attached instructions in the same sequence as numbered to assure fast & easy assembly.

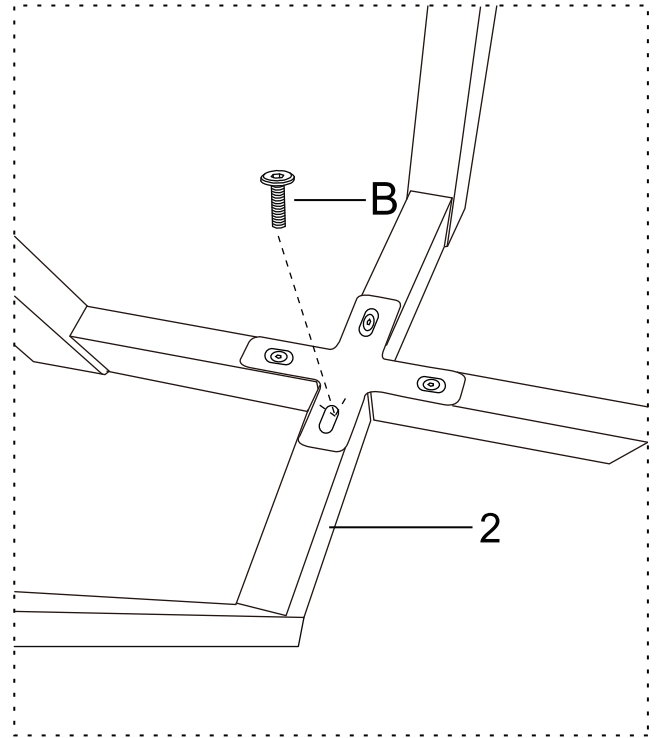
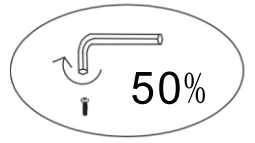
# Parts List

Number	Name	Part	Qty
1	Seat		x1PC
2	Wood legs		x4PCS
3	Footrest		x1PC
4	Swivel gear		x1PC

Number	Hardware	Part	Qty
A	M6X30mm		x4+1EXT
B	M6X16 mm		x12+1EXT
C	Metal plate		x1
D	Allen Wrench		x1

**01****02**

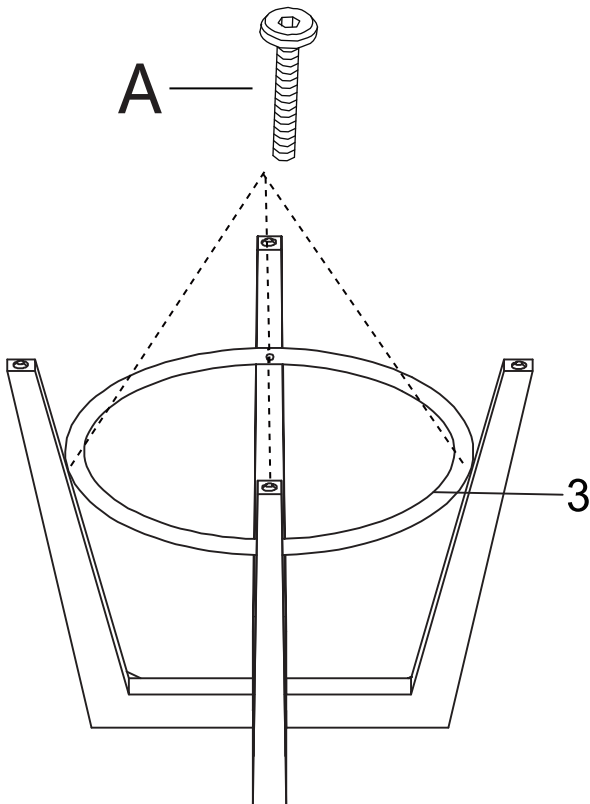
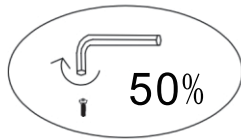
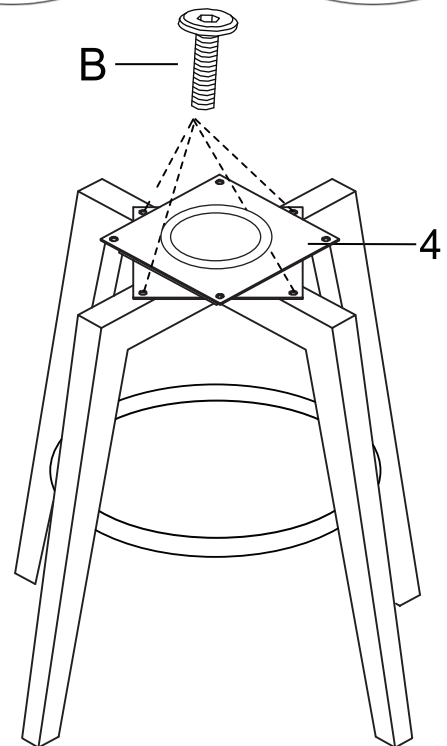
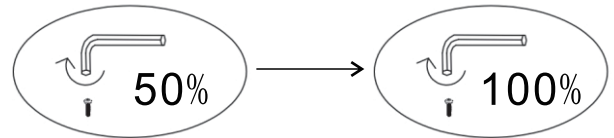
Tighten the four screws to a depth of 50%.

**Tip:**

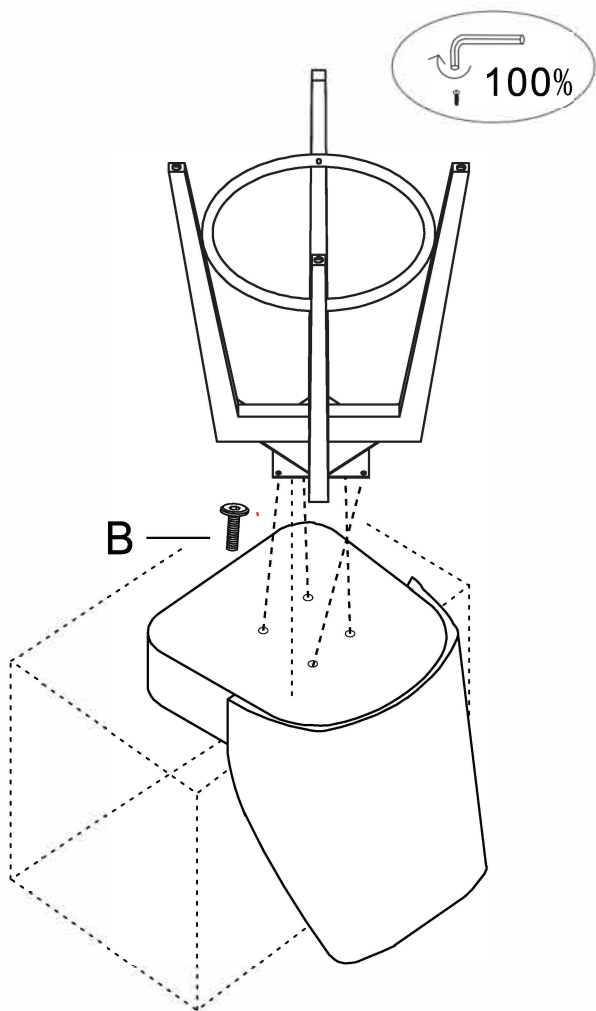
If the screw hole on the last leg cannot align with the hole, loosen the screws on the front three legs to adjust the distance.

**03**

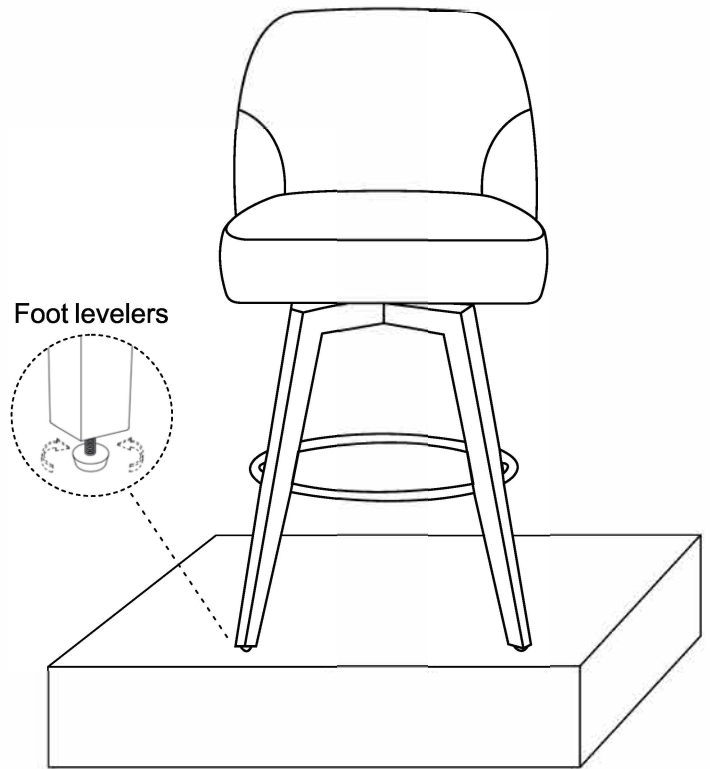
Tighten the four screws to a depth of 50%.

**04**

Finally tighten all screws to a depth of 100%.



Assembly complete



**Note:**

Each leg has an adjustable foot leveler to help level your chair. Rotate it to ensure the chair is flat on the floor!

## Additional Note About Safety

Bolts may loosen during normal everyday use. They should be periodically inspected and tightened to prevent damage or injury. Always check to be sure that all hardware is kept tightened.

## Care & Maintenance

- Do not place hot items directly on the surface.
- Do not clean the with harsh cleansers or polish.
- Do not place the under direct sunlight.
- Do not place the near heating or cooling vents.
- Do not write on the without a padded barrier to protect the surface.
- Do not place the outside. For indoor use only.
- Stains may be removed with a mild soap solution and a damp cloth. Dust and pick up spills using a clean, non-colored lint-free cloth.
- Children should not climb or jump.

**Thank you for your purchase**