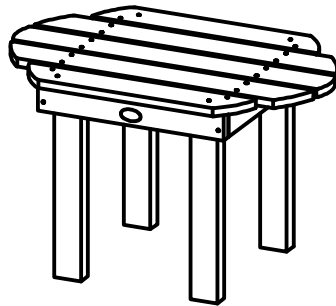
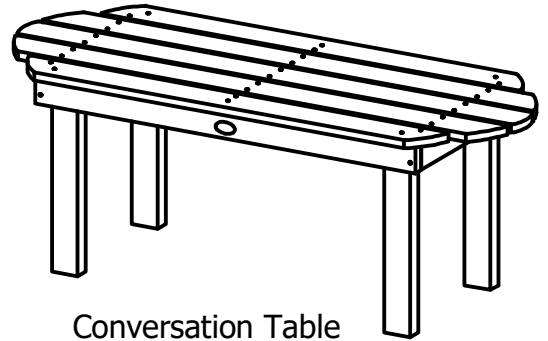


Classic Westport Conversation/Side Table

Assembly Guide



Side Table

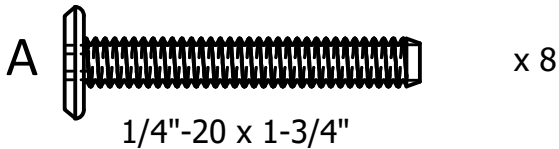


Conversation Table

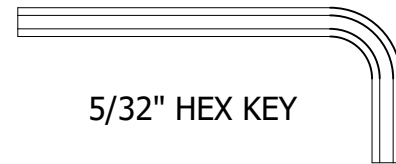
IMPORTANT!

DO NOT fully tighten the bolts until all bolts are started.
Once all bolts are inserted, go back & tighten all the bolts.

HARDWARE INCLUDED



TOOLS INCLUDED



- 1) Place Table Top on flat surface with Top facing down as shown.
- 2) Attach Legs to one side of Table Top using (2) "A" Bolts in each Leg as shown.
- 3) Repeat Step 2 on other side of Table.

