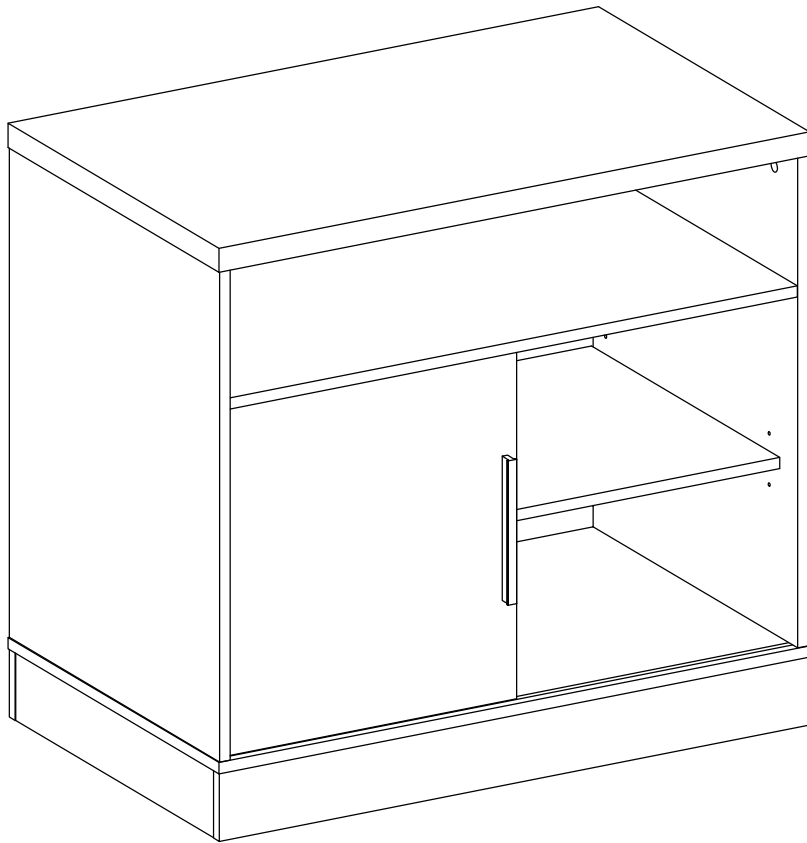
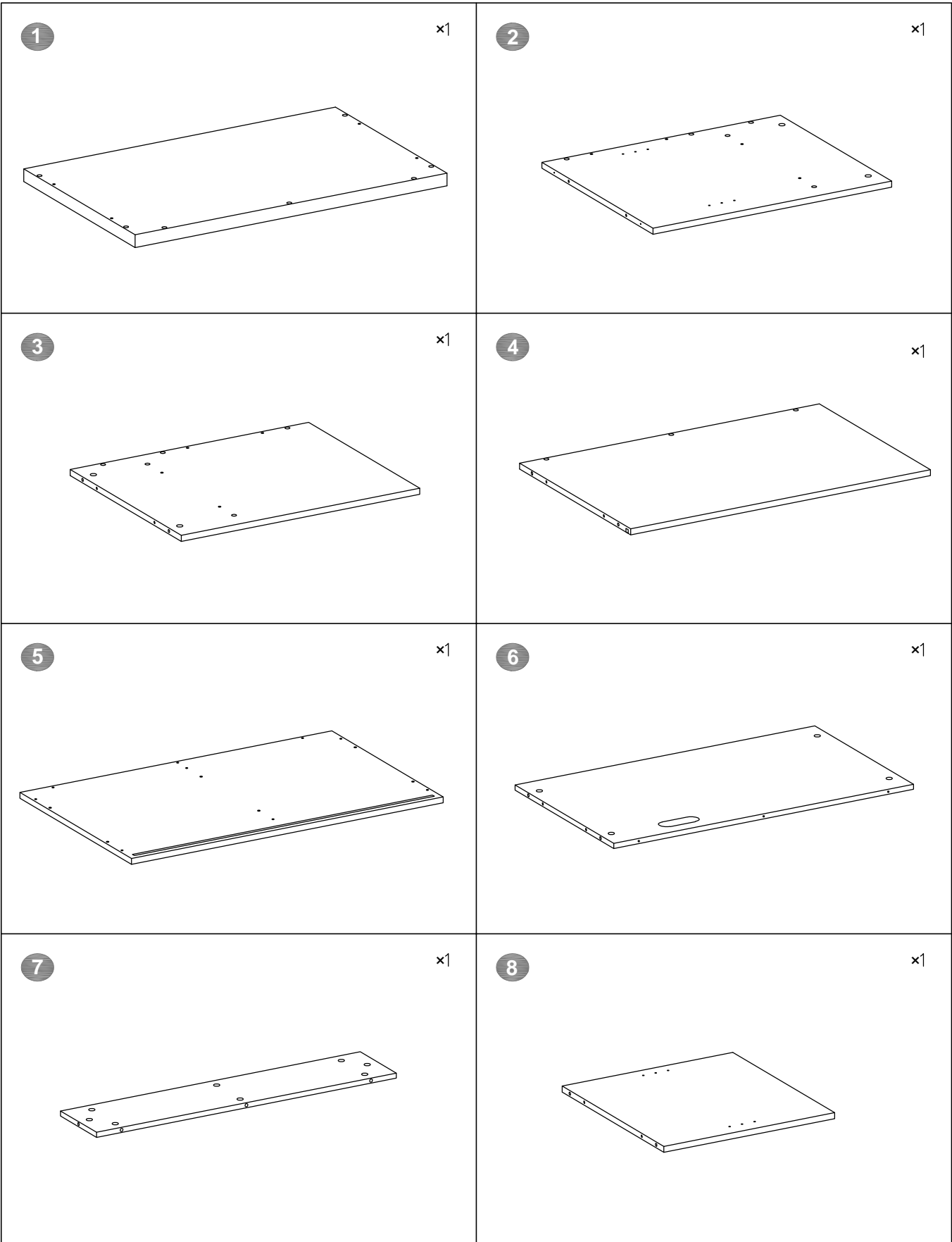
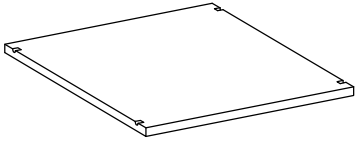
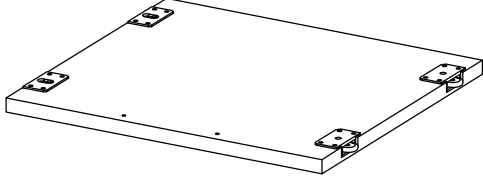
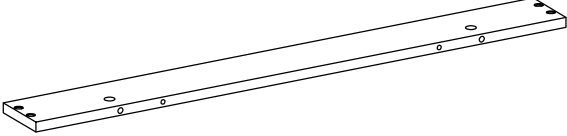
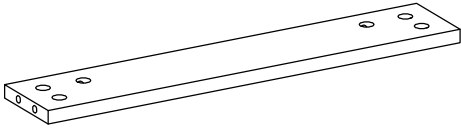


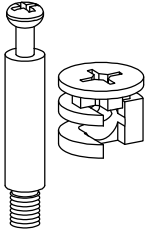
ASSEMBLY INSTRUCTIONS





<p>9 x1</p> 	<p>10 x1</p> 
<p>11 x2</p> 	<p>12 x2</p> 

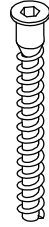
A x38+2



B x26+2

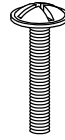


C x9+1



M5x46

D x2

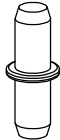


M4x18

E x1



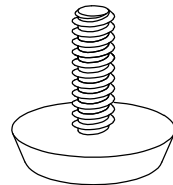
F x4



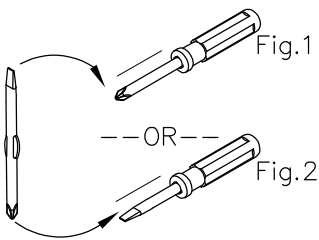
G x1



H x4

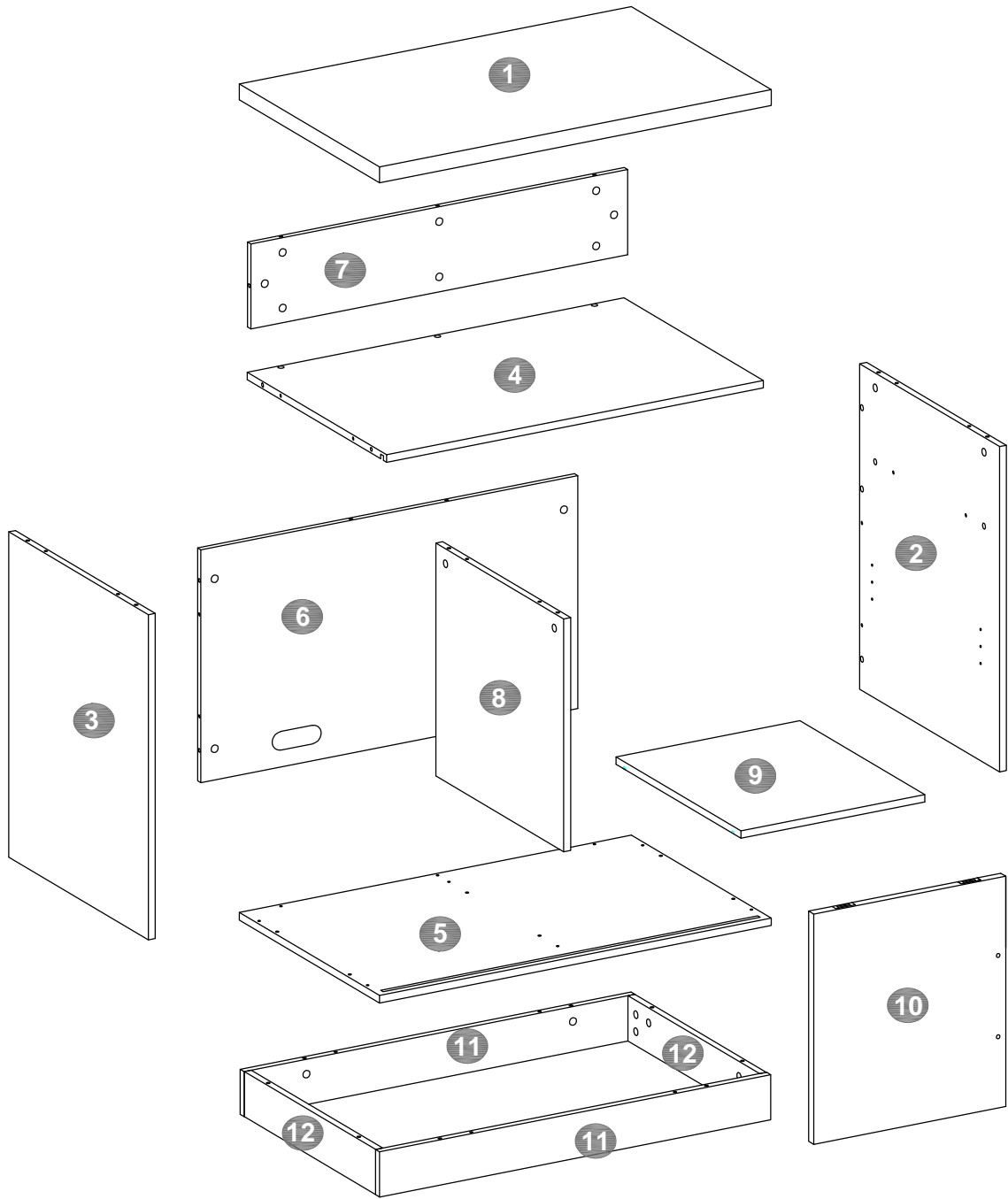


Z1 x1

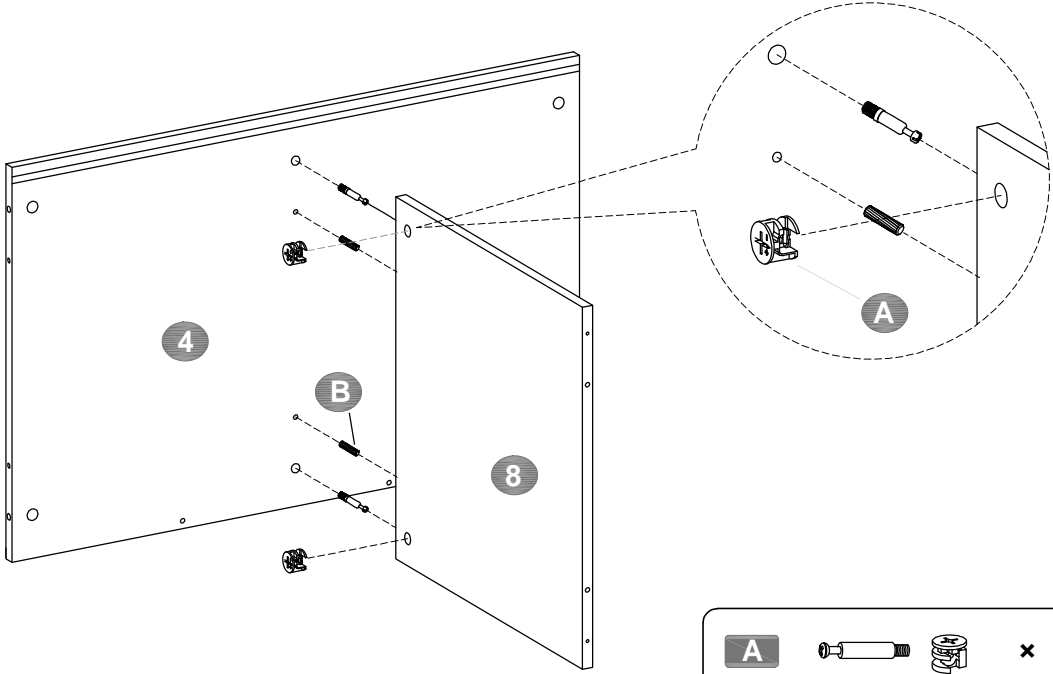


Z2 x1



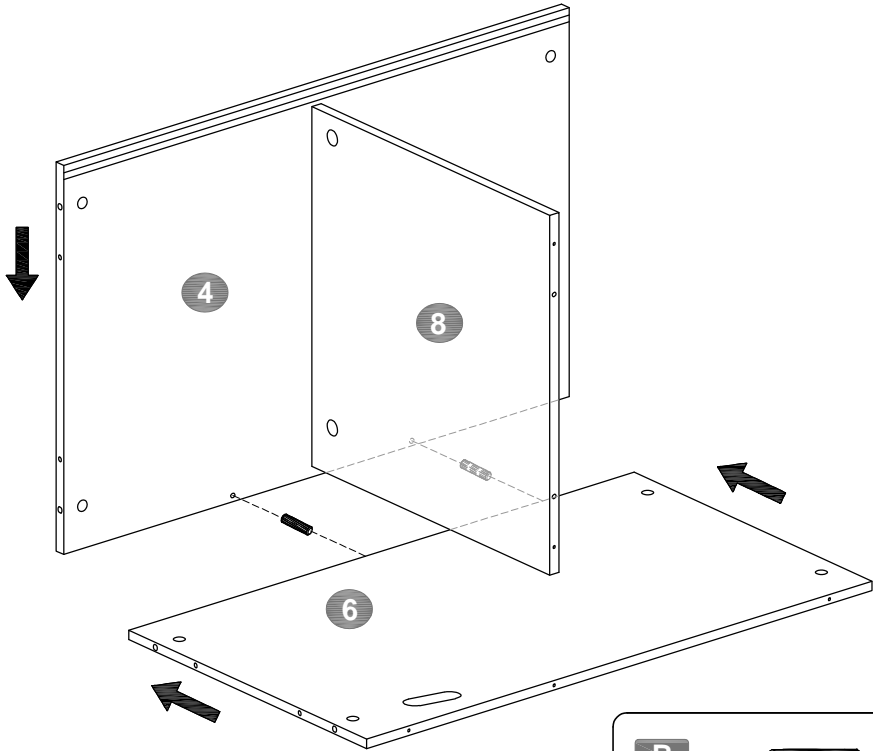


1



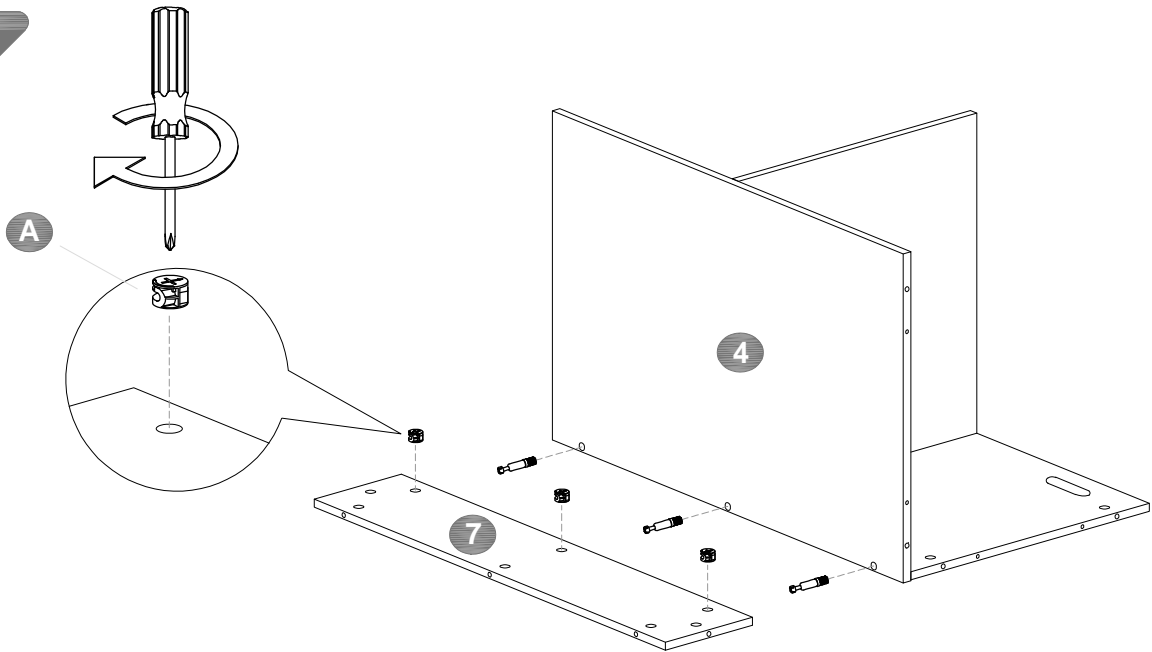
- A [Image of screw and bracket] × 2
- B [Image of screw] × 2

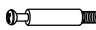

2



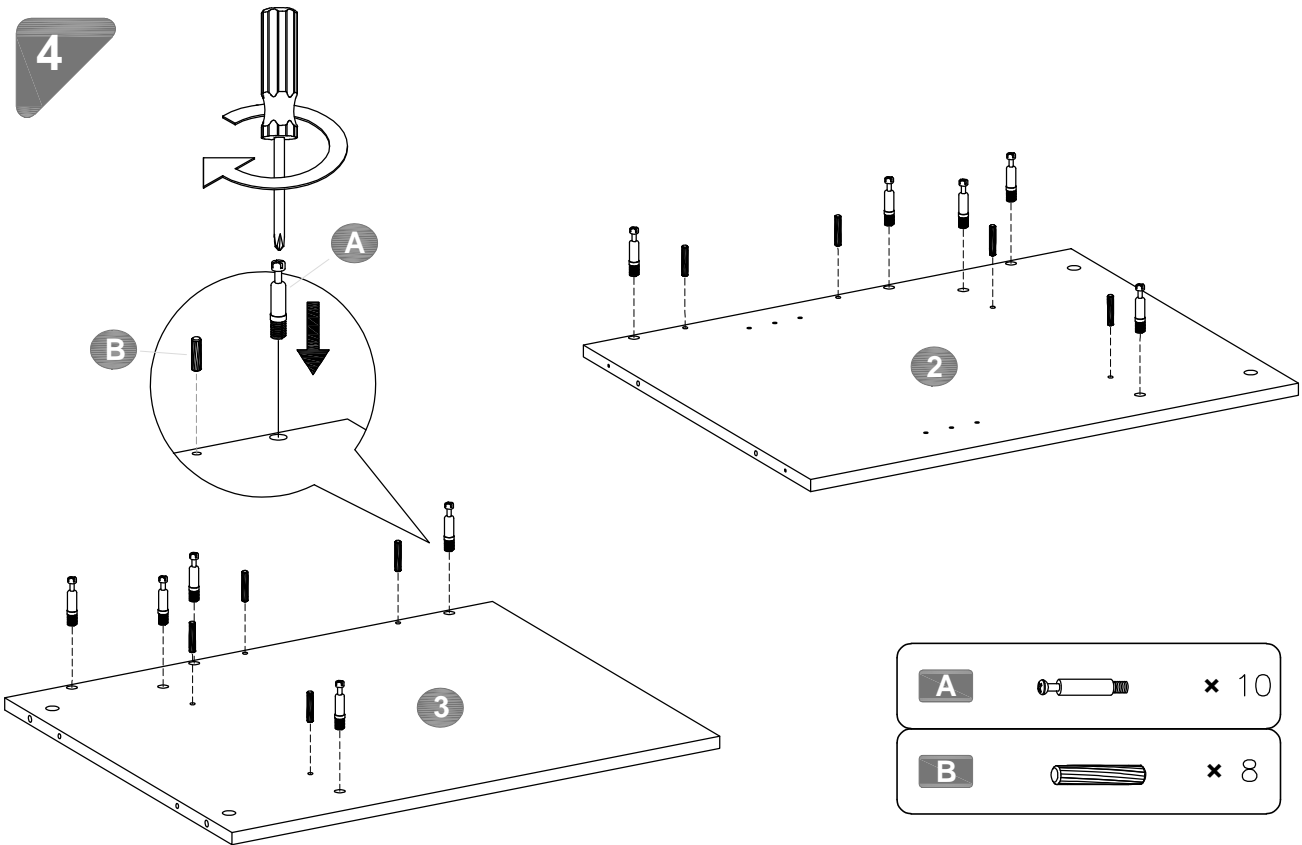
- B [Image of screw] × 2

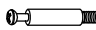
3




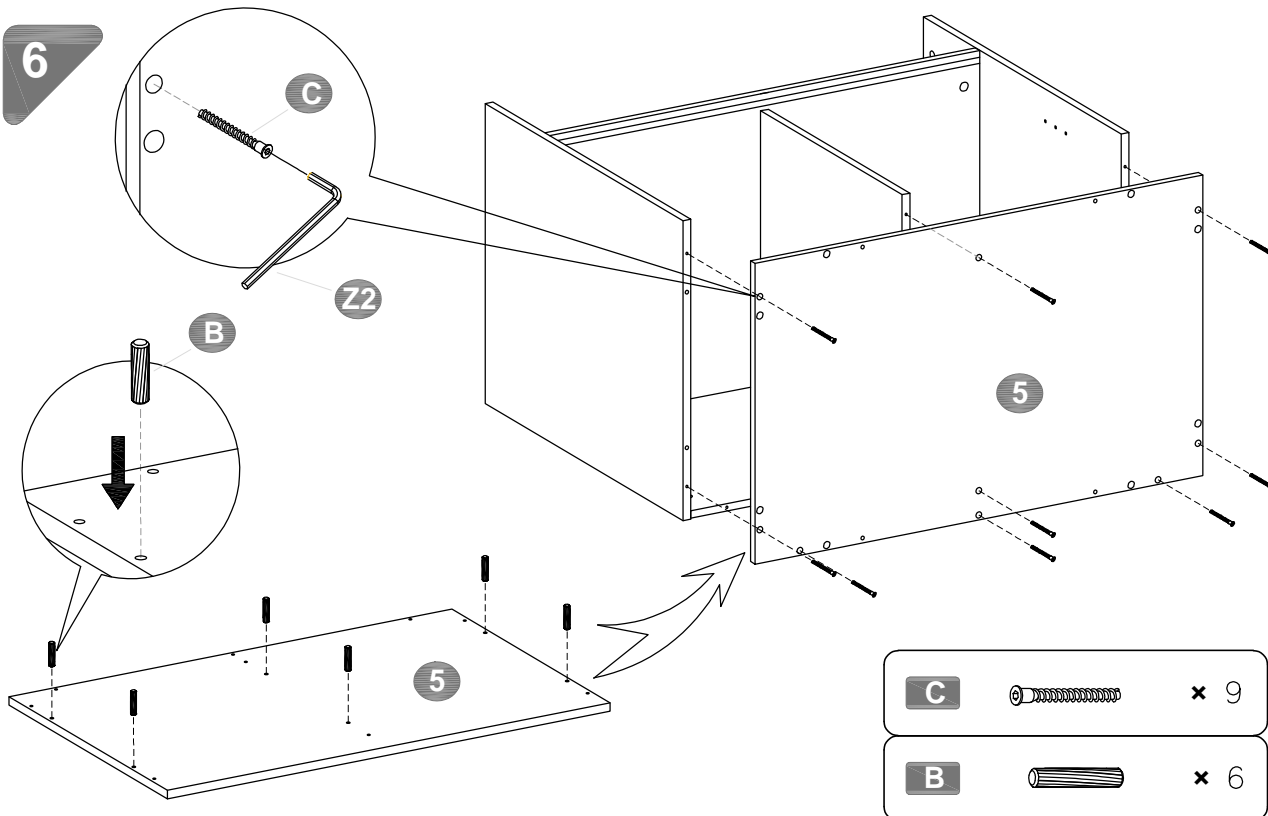
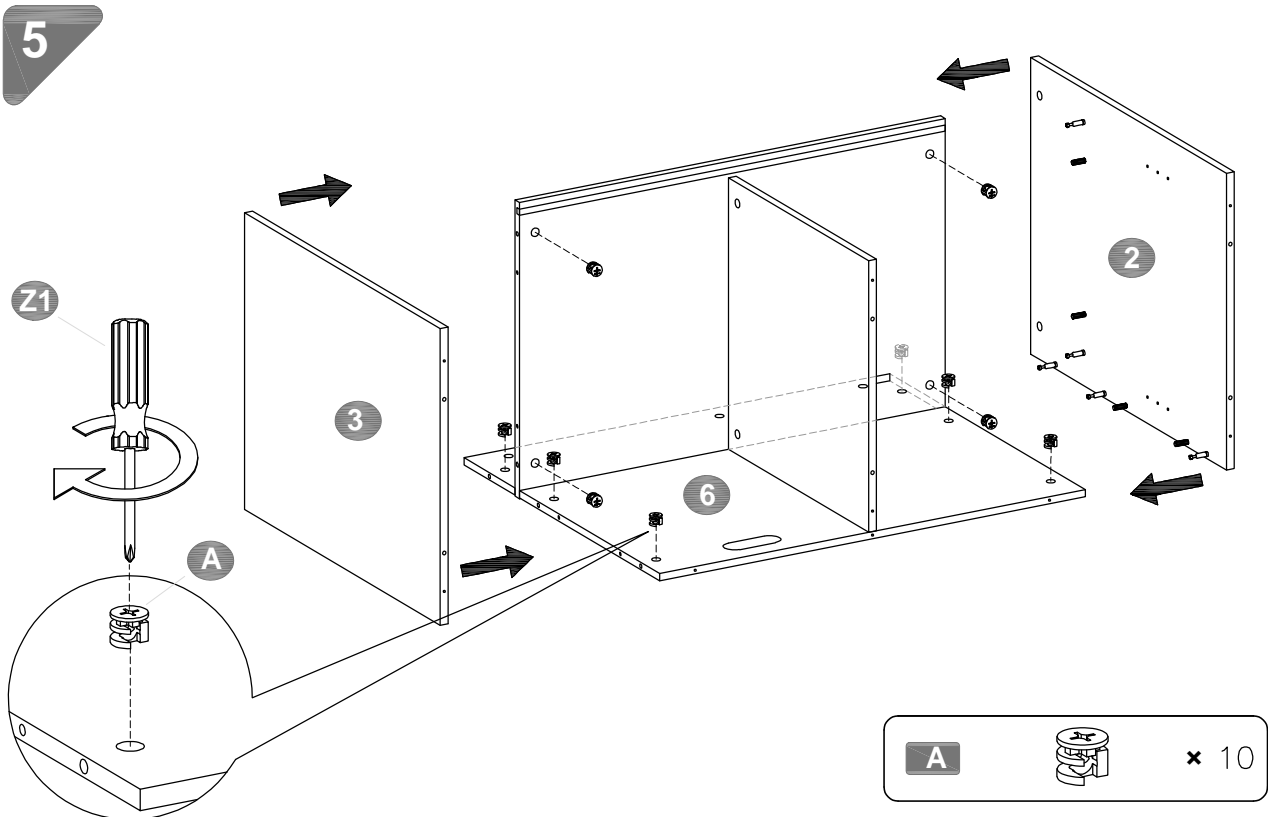
A			× 3
---	---	---	-----

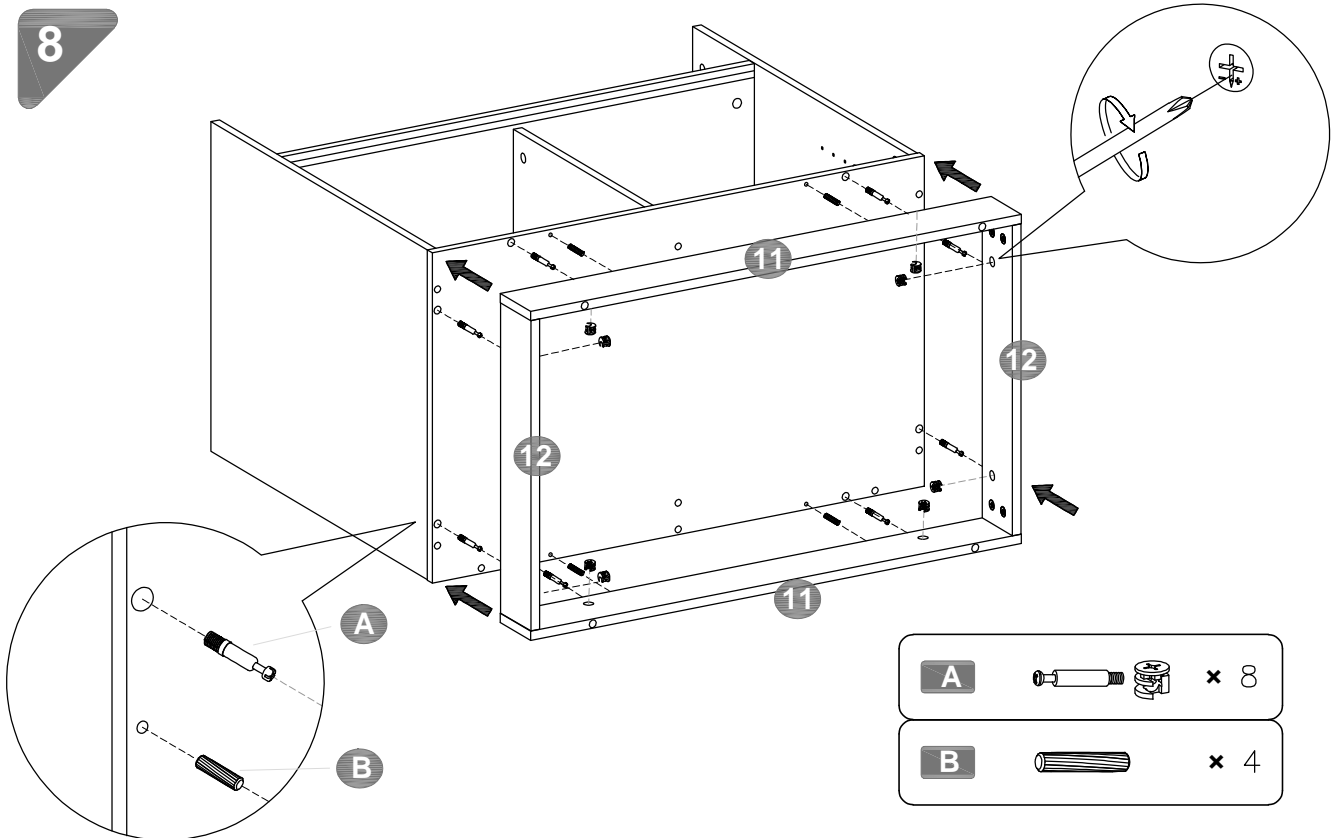
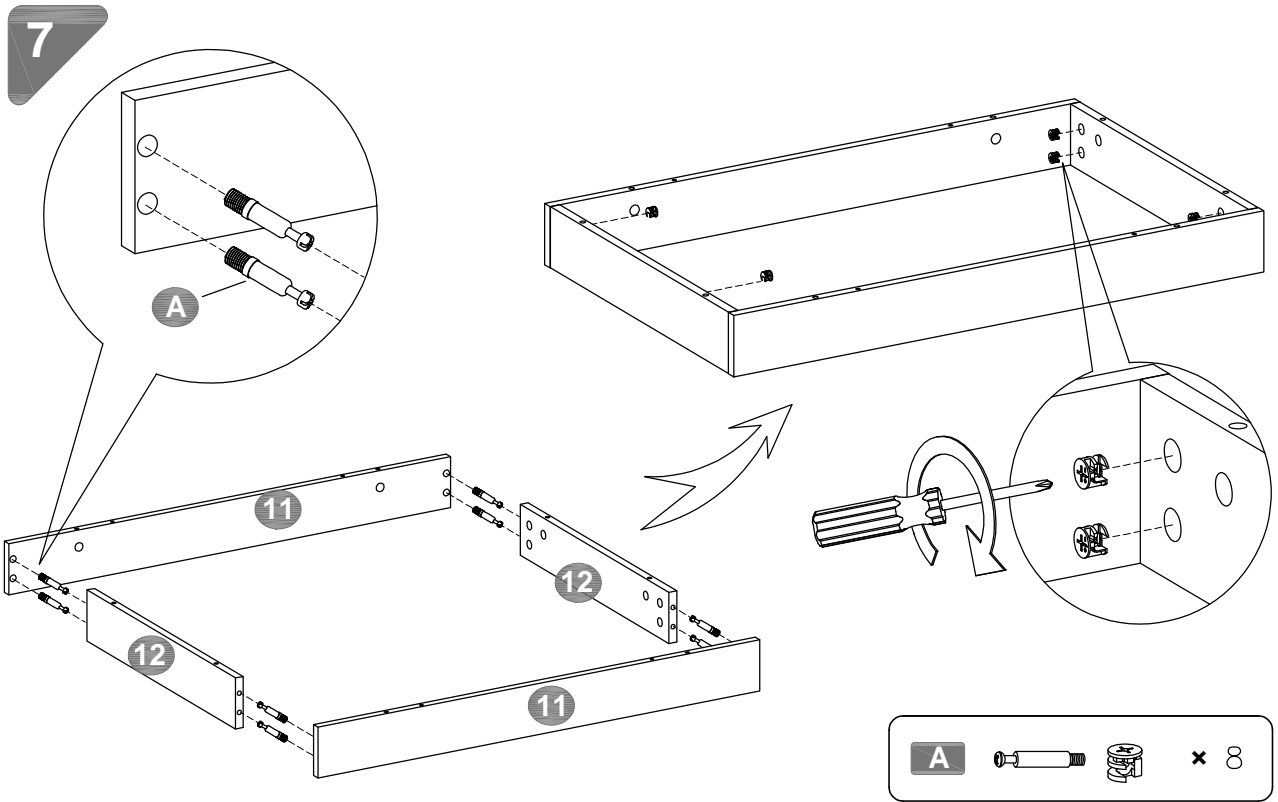
4



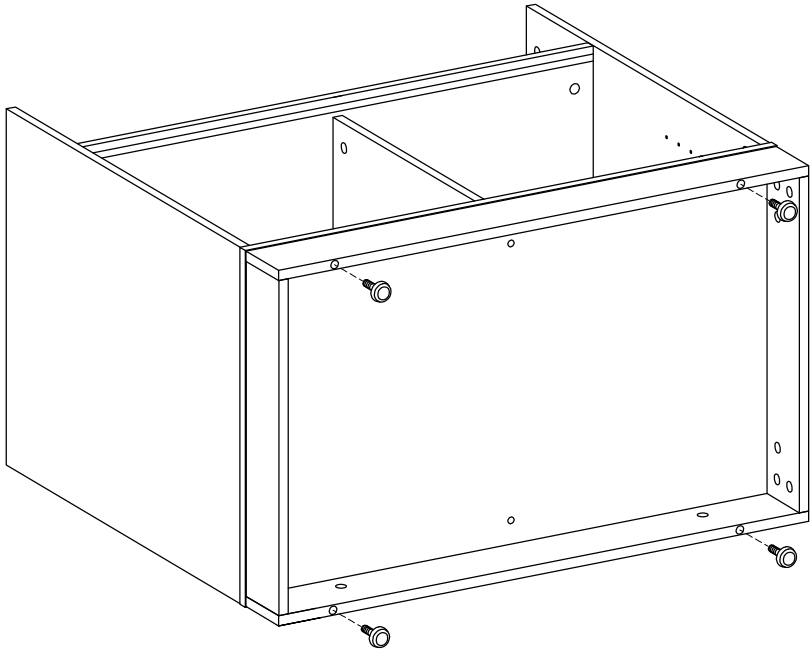
A		× 10
---	---	------

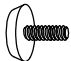
B		× 8
---	---	-----



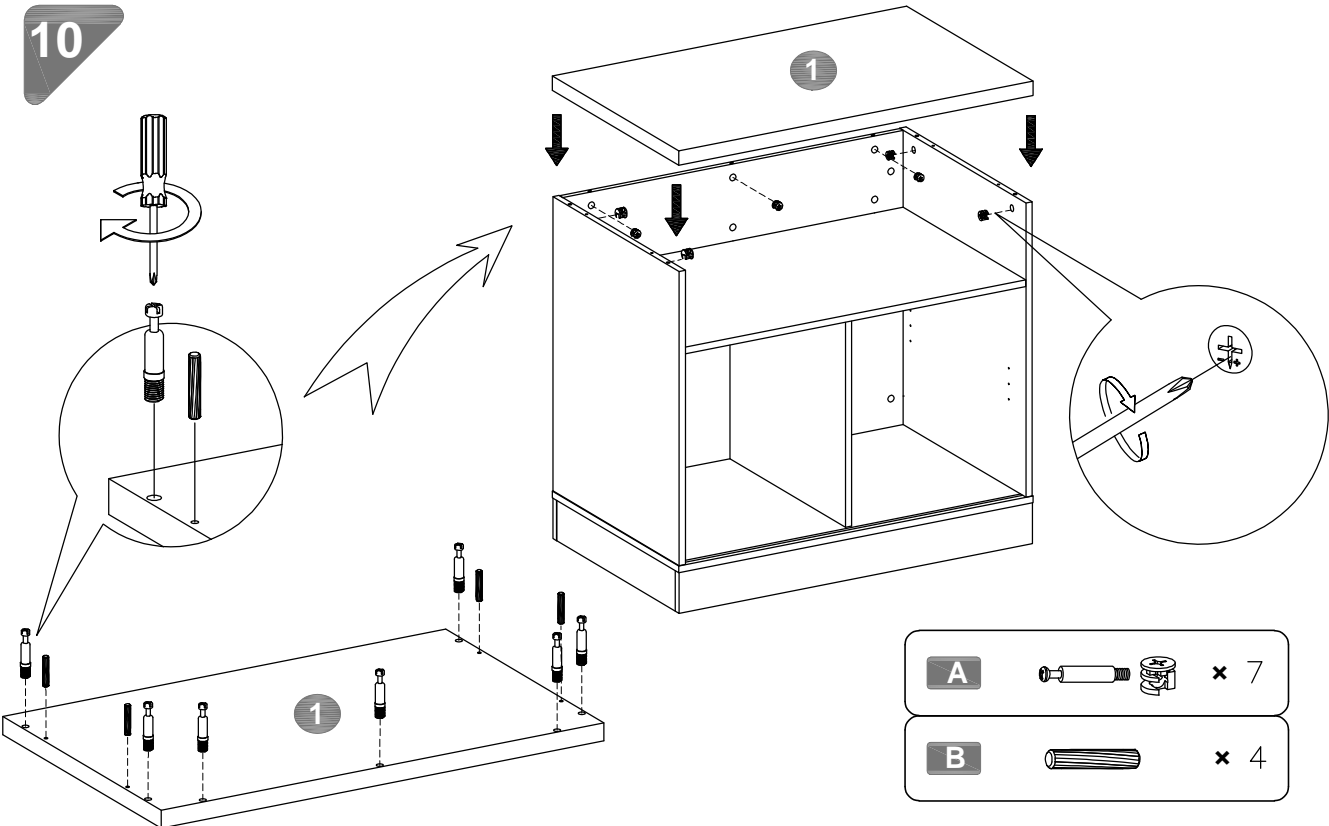


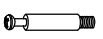
9




H		× 4
----------	---	-----

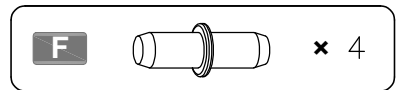
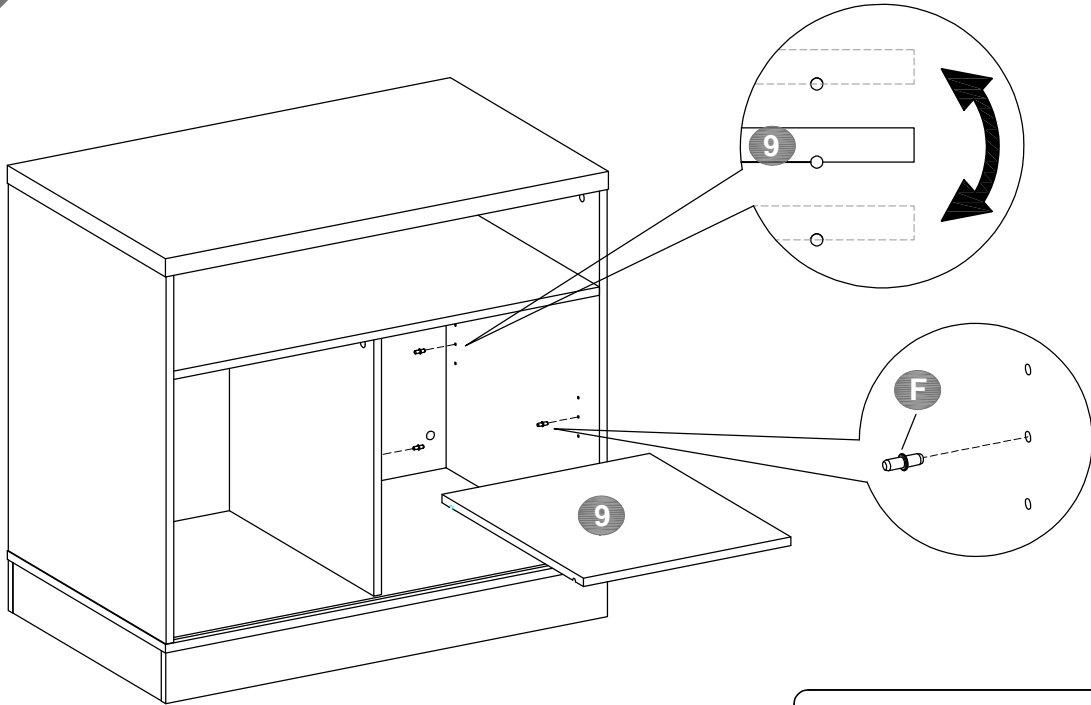
10



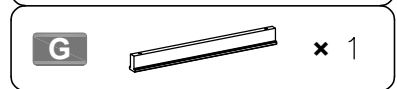
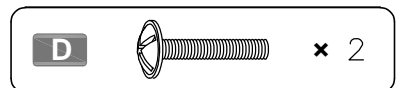
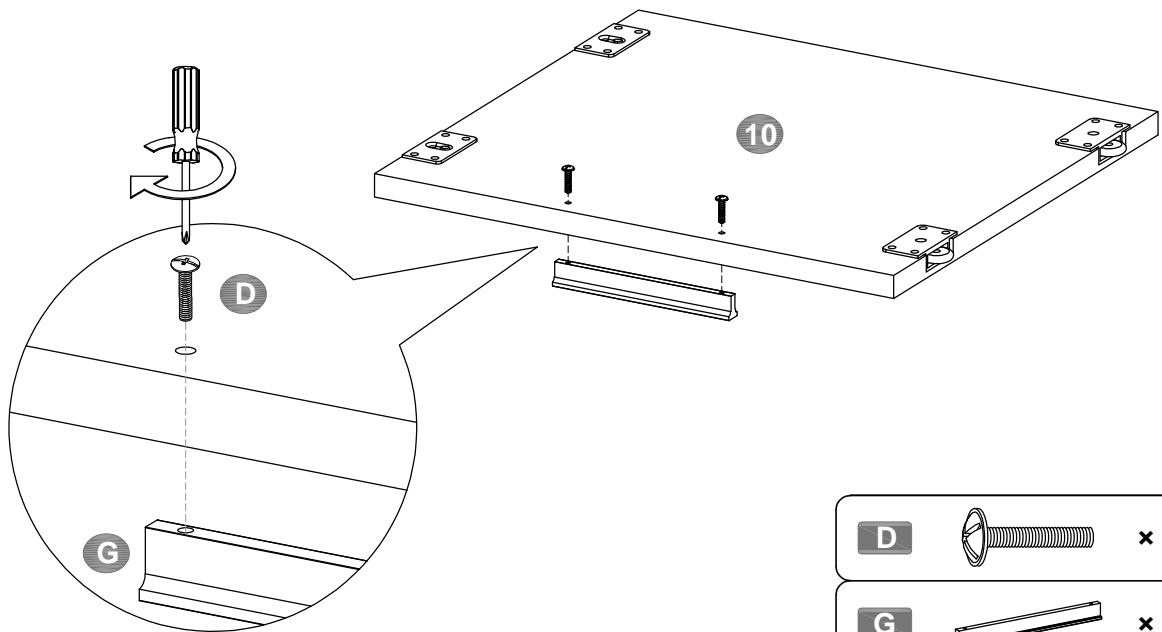
A		× 7
----------	---	-----

B		× 4
----------	---	-----

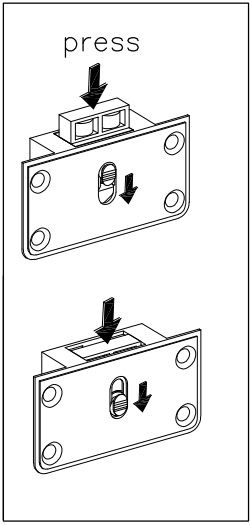
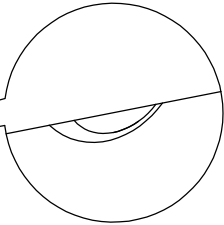
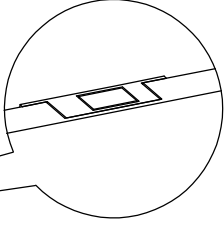
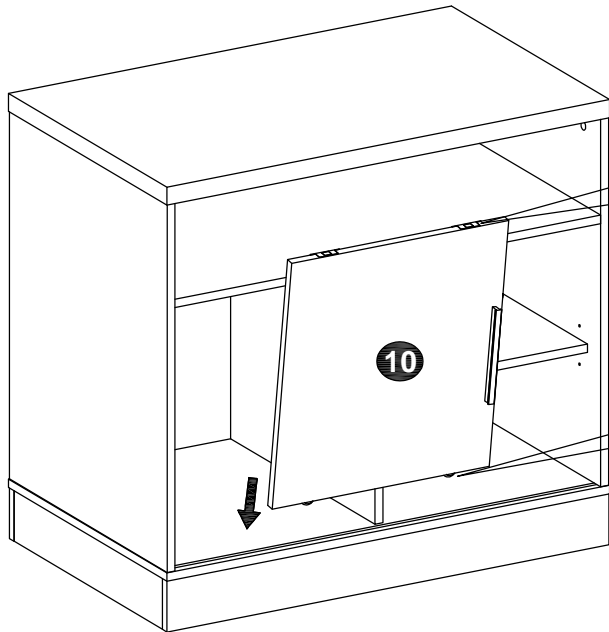
11



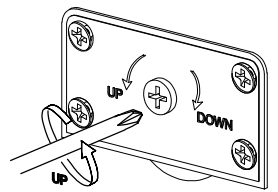
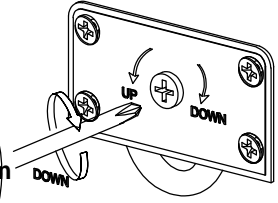
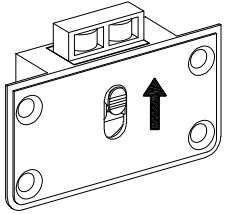
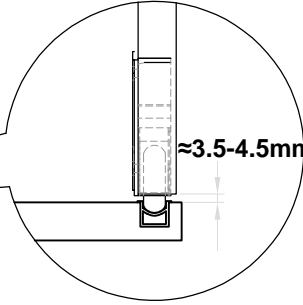
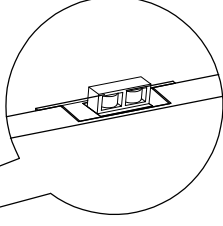
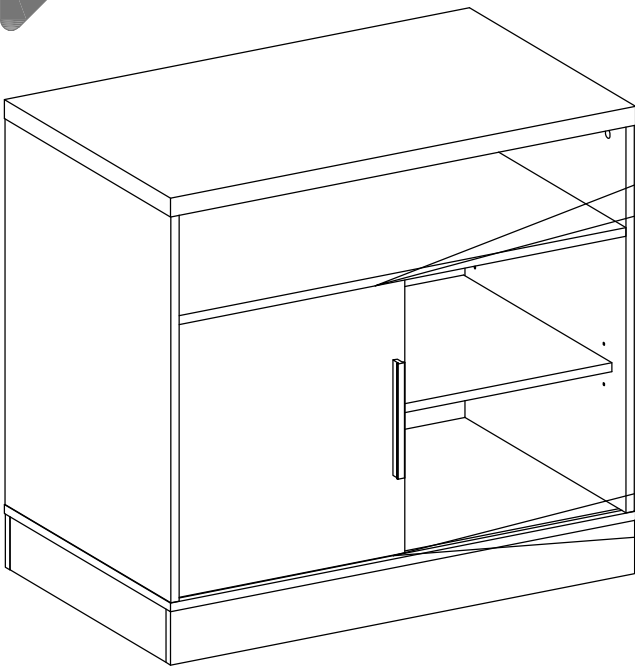
12



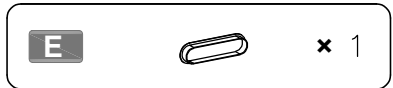
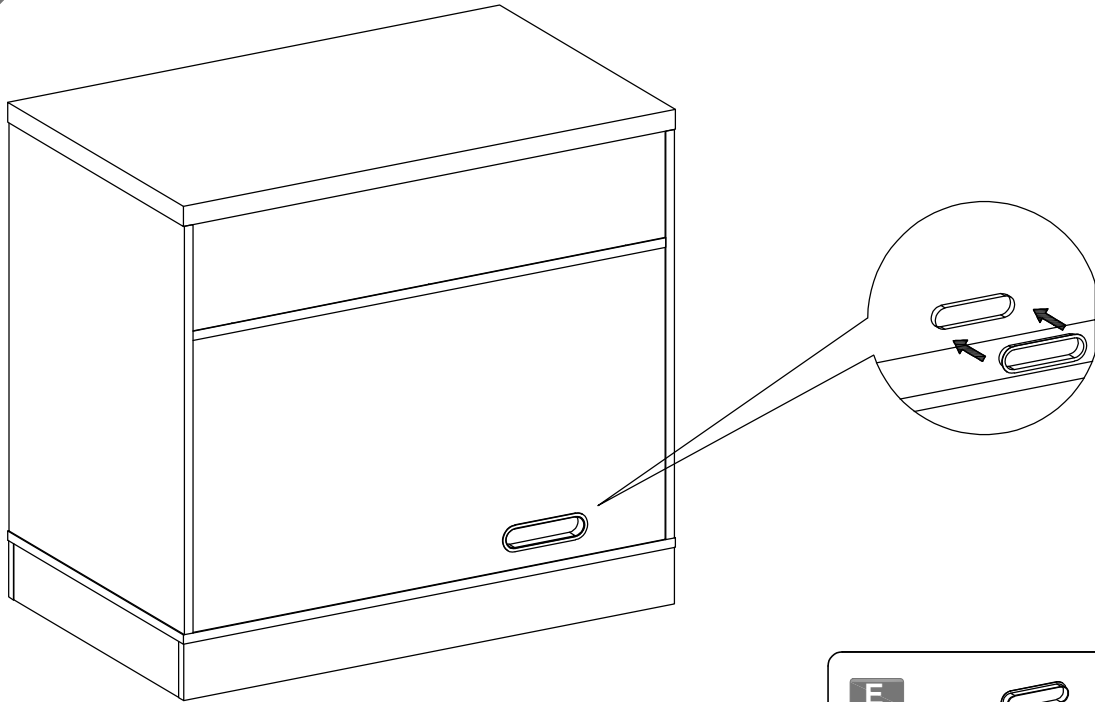
13



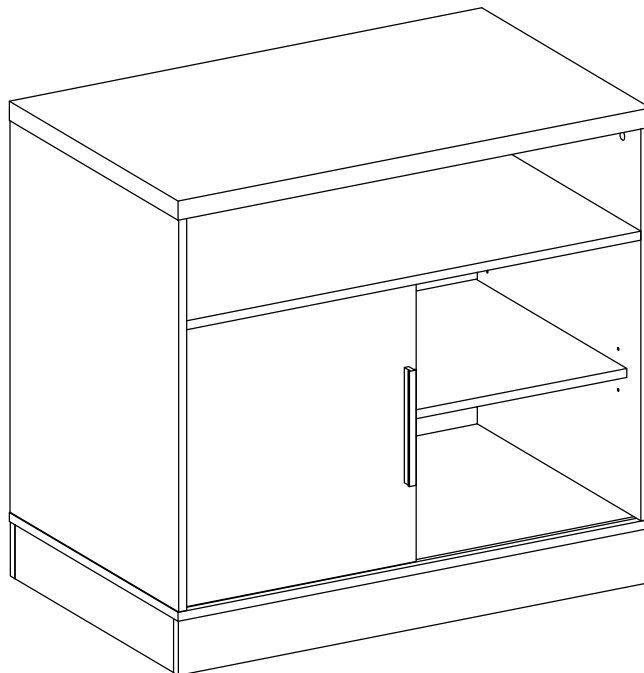
14



15



16



Made in Vietnam

