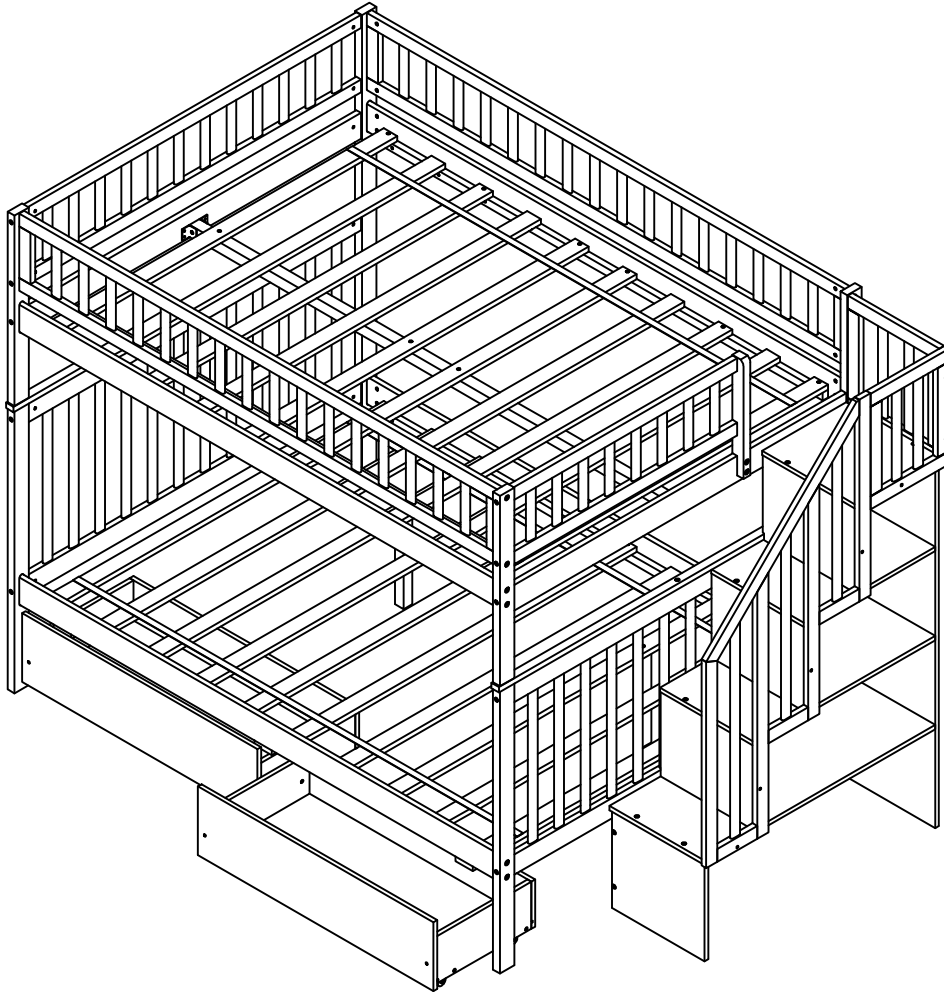


ASSEMBLY INSTRUCTIONS

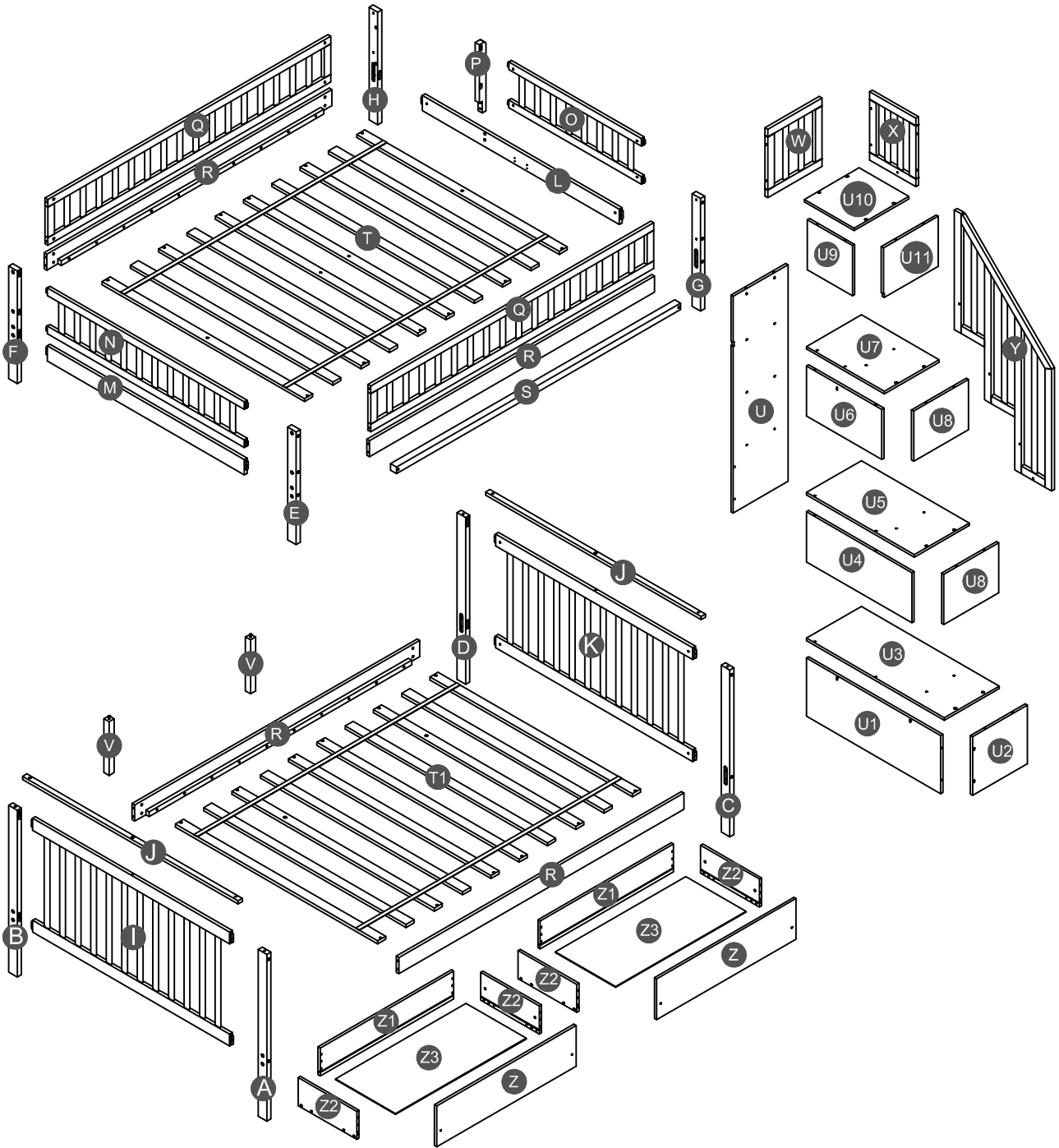
FULL/FULL SIZE BUNK BED



This set is included 3 boxes if don't receive full 3 boxes please contact our customer service team.

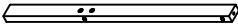
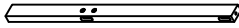
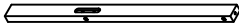
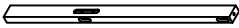




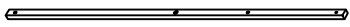
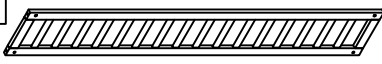

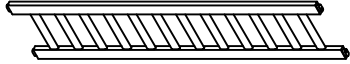
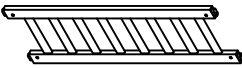
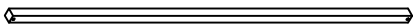
If you have any problems or concerns, please feel free to contact our customer service department. We will reply to you at the first time.

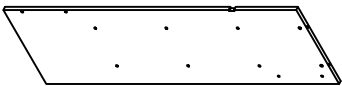
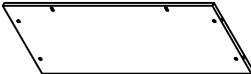
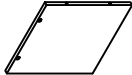

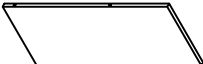
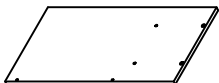
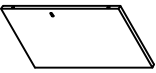

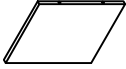
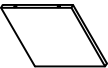

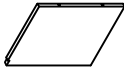
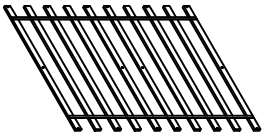


Detail View



Part List

Hardware List

A  Lower leg(Left front) - 1pc	B  Lower leg (Right back)- 1pc	C  Lower leg(Right front) - 1pc
D  Lower leg (Left back)- 1pc	E  Upper leg(Left front) - 1pc	F  Upper leg(Right back) - 1pc
G  Upper leg (Right front)- 1pc	H  Upper leg (Left back)- 1pc	J  Cap for lower HB&FB-2pcs
Q  Upper front & back side rail-2pcs	R  Lower&upper side rail - 4pcs	N  Upper HB - 1pc
O  Upper FB - 1pc	S  Slat support - 1pc	

U  Back panel - 1pc	U1  Lower left side panel - 1pc	U2  Lower front panel - 1pc
U3  Lower step ladder panel - 1pc	U4  Lower left side panel - 1pc	U5  Lower step ladder panel - 1pc
U6  Lower left side panel - 1pc	U7  Lower step ladder panel - 1pc	U8  Lower front panel - 2pcs
U9  Upper left side panel - 1pc	U10  Upper step ladder panel - 1pc	U11  Upper front panel - 1pc
T  Upper Slat - 10pcs	Z  Drawer front - 2pcs	Z1  Drawer front - 2pcs

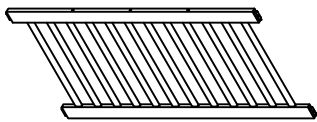
Part List

Z2



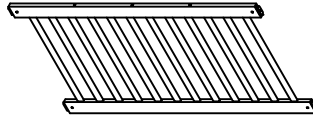
Drawer (Left/Right)- 4pcs

I



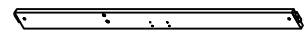
Lower HB - 1pc

K



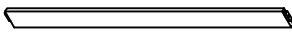
Lower FB - 1pc

L



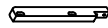
Horizontal upper bar FB-1pc

M



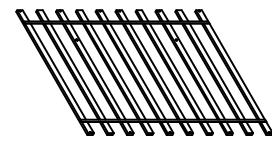
Horizontal upper bar HB-1pc

P



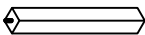
Support guard rail - 1pc

T1



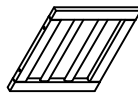
Lower Slat - (10pcs)

V



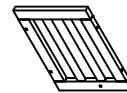
Lower slat support- 2pcs

W



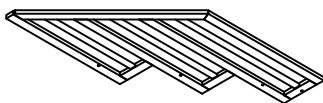
Upper guard back - 1pc

X



Upper guard side - 1pc

Y




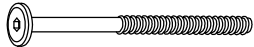
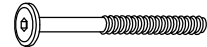
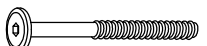




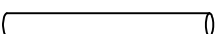






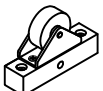
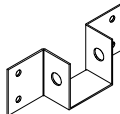
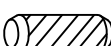
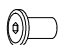
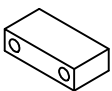
Guard side - 1pc

Z3

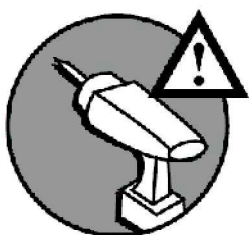
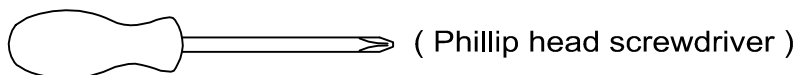


Drawer bottom - 2pcs

Hardware List

1  Ø8*30mm Wood dowel (28pcs)	2  (Ø15)1/4"*100mm Hex-Head bolts (18pcs)	3  (Ø15)1/4"*80mm Hex-Head bolts (24pcs)
4  (Ø12)1/4"*70mm Hex-Head bolts (2pcs)	5  (Ø12)1/4"*60mm Hex-Head bolts (45pcs)	6  (Ø12)1/4"*35mm Hex-Head bolts (2pcs)
7  (Ø12)1/4"*30mm Hex-Head bolts (3pcs)	8  1/4"*15 (9.5mm) Horizontal-Hole bolts(87pcs)	9  Ø9*90mm Connecting bar (4pcs)
10  (Ø12)1/4"*40mm Hex-Head bolts (2pcs)	11  (1/4")4.5*58mm Allen key (2pcs)	12  Ø4*30mm Wood screws (50pcs)
13  Ø1/4"*19*2mm Flat Washer (3pcs)	14  (Ø12)1/4"*40mm Hex-Head bolts (2pcs)	15  Ø3.5*15mm Wood screws (8pcs)
16  100*20*54mm Wheels (8pcs)	17  116*40*27mm Hooks(2pcs)	18  Ø10*20mm Wood dowel (8pcs)
19  (Ø13)1/4" x 9/16" Hex Cap (2pcs)	20  70*35*19 mm Wood support drawer (3pcs)	

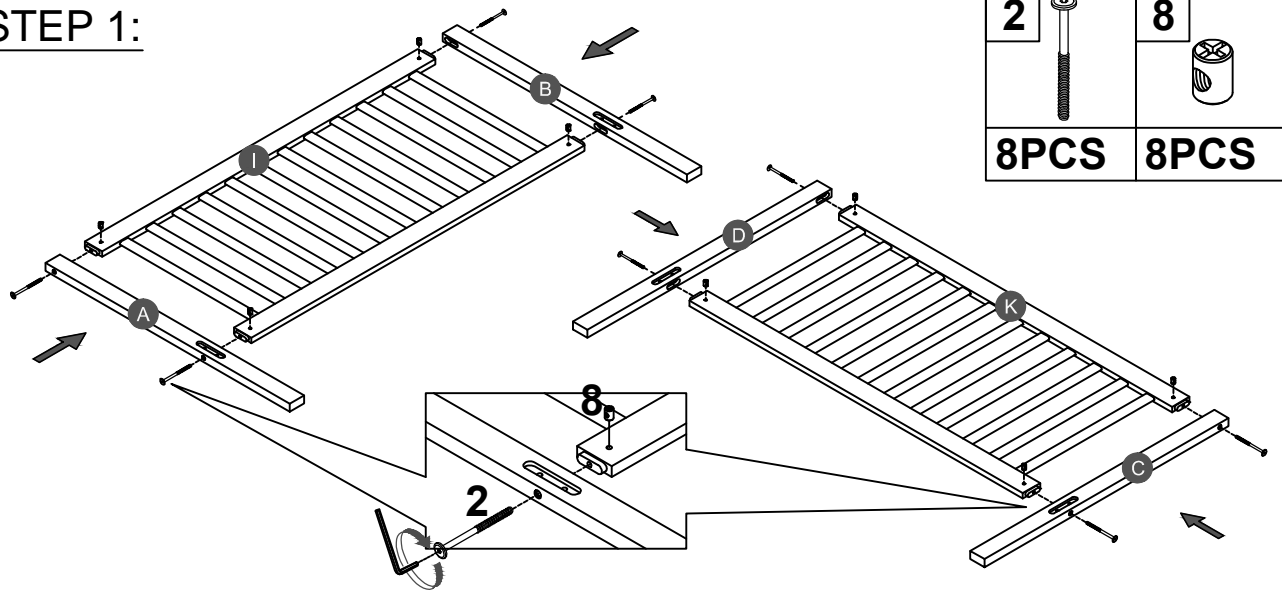
ASSEMBLY TOOLS REQUIRED (NOT INCLUDED)



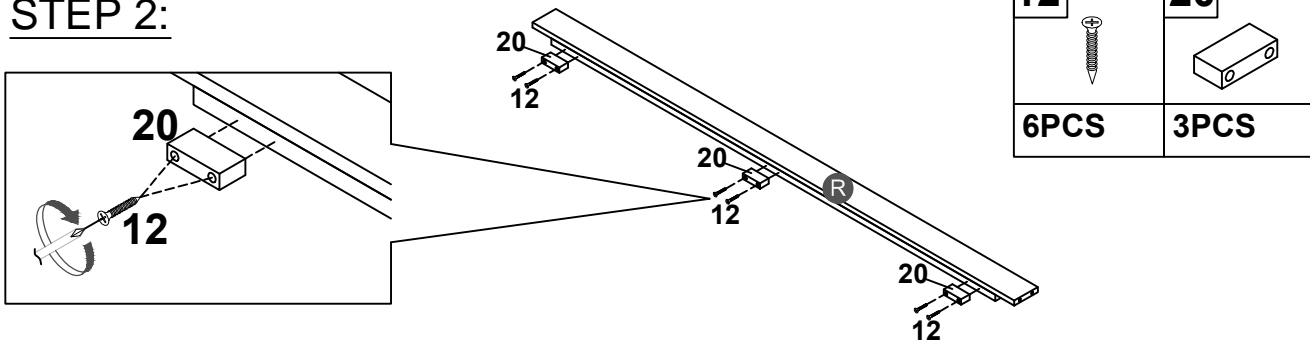
DO NOT USE POWER TOOLS TO ASSEMBLE THIS PRODUCT !

Remark: We recommend you assemble your bed in the flat ground.

STEP 1:

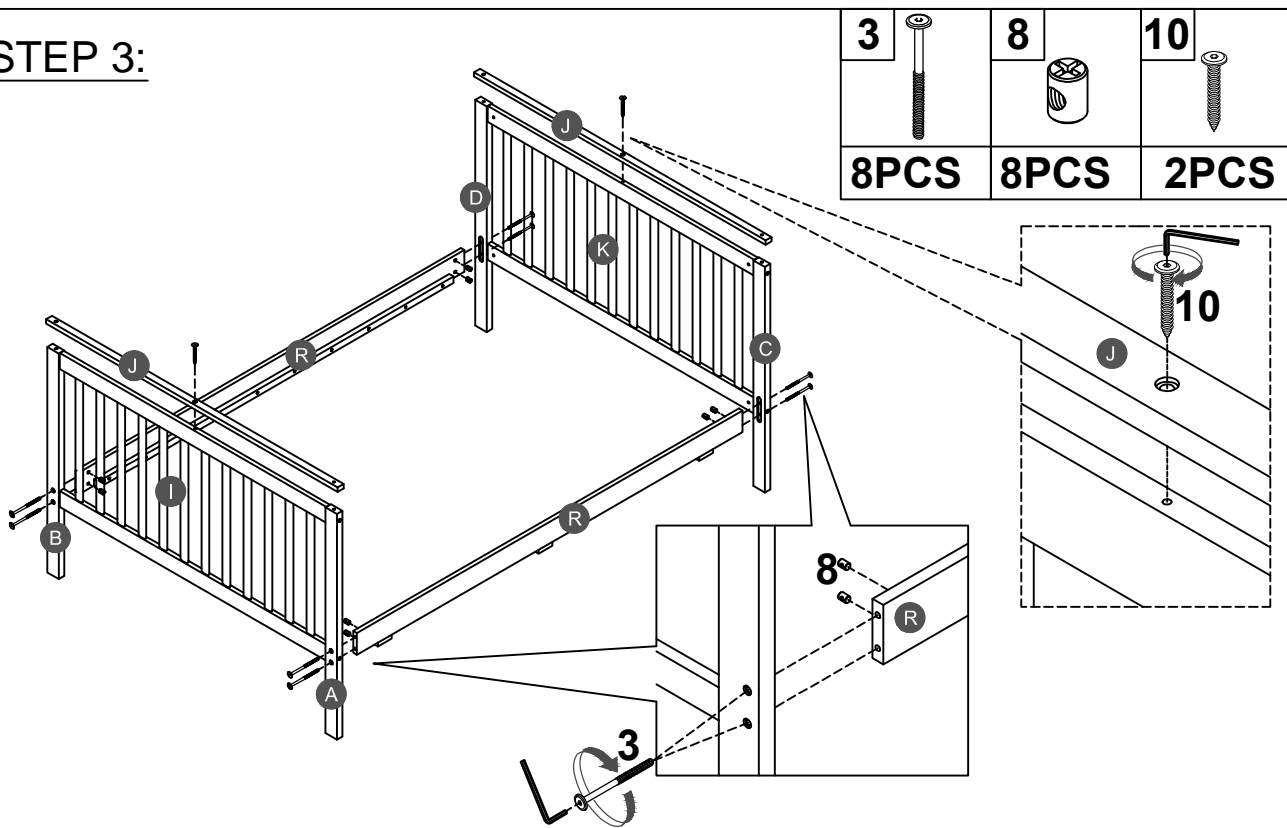


STEP 2:







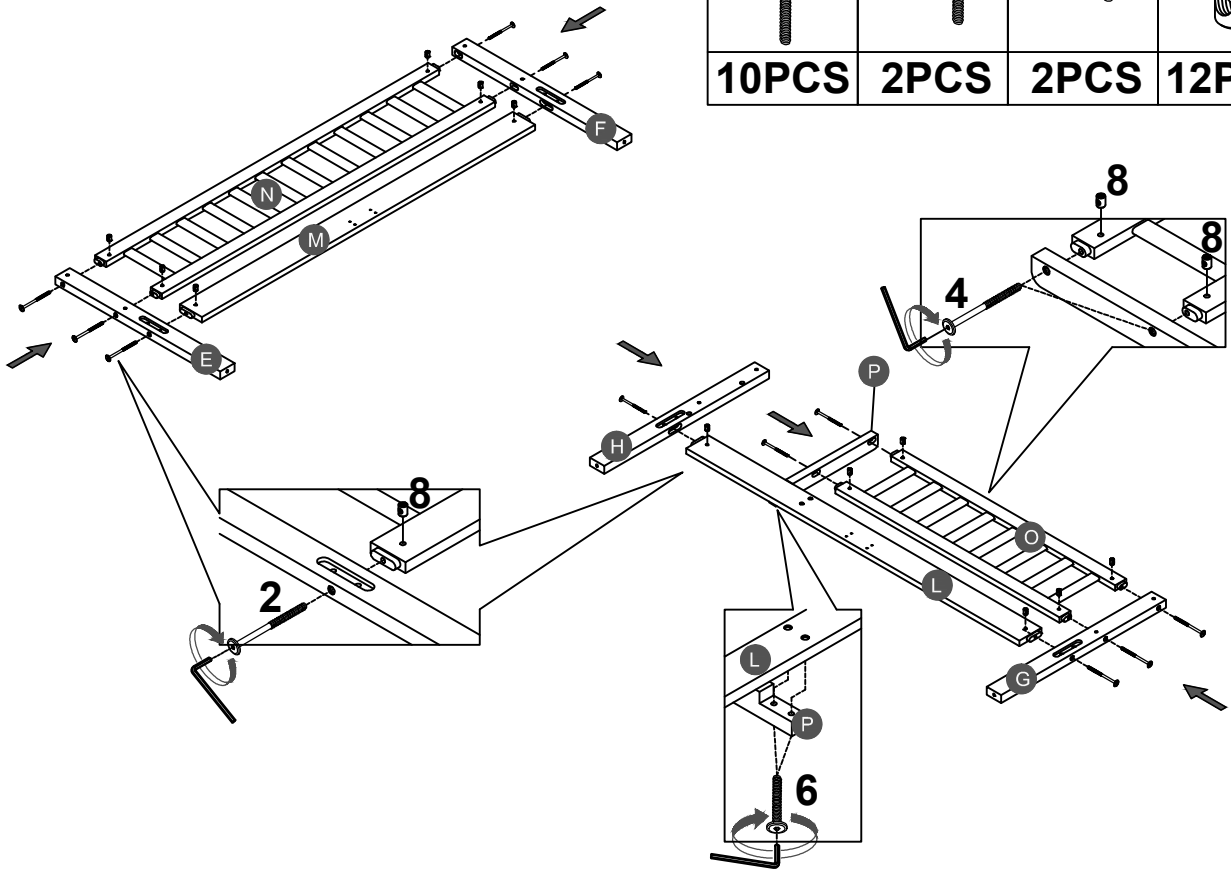
Wood support drawer (20) with lower side rail front (R) by using screw (9).

STEP 3:





STEP 4:

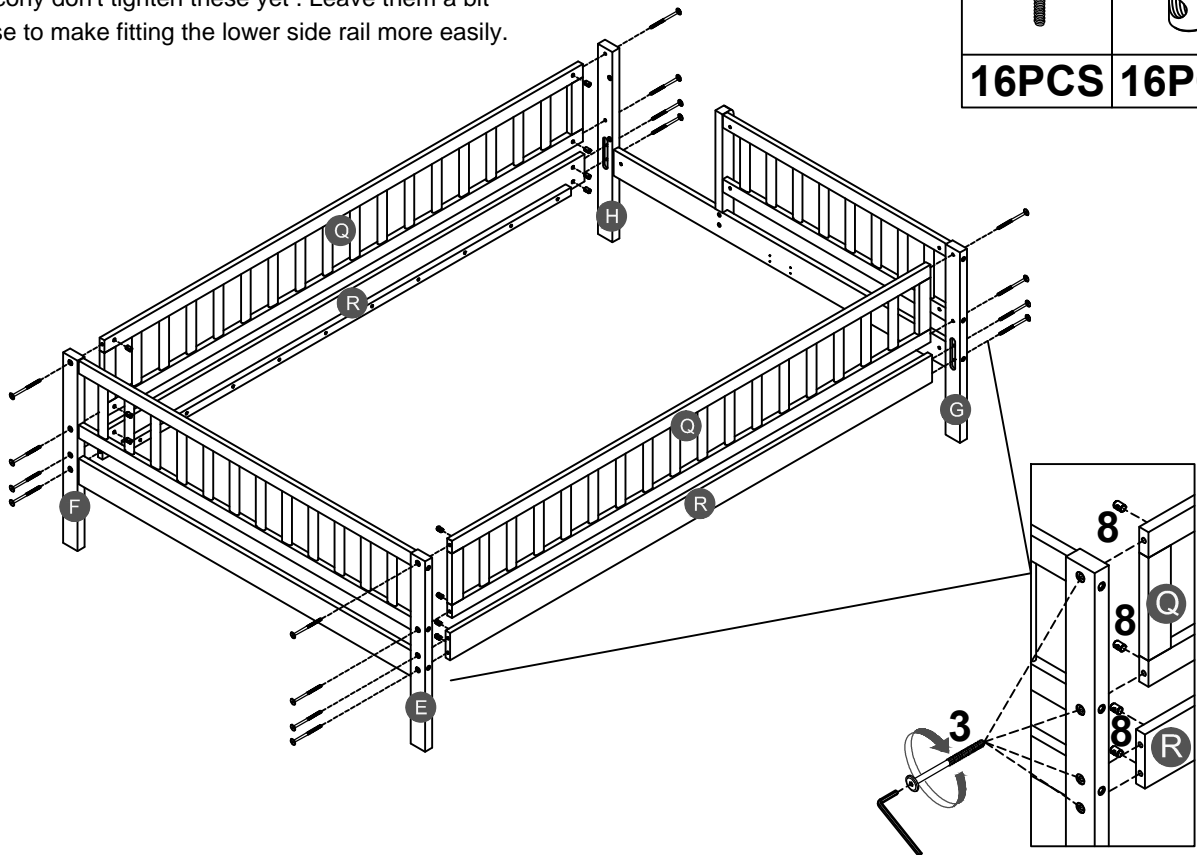
2		4		6		8	
10PCS		2PCS		2PCS		12PCS	




STEP 5:

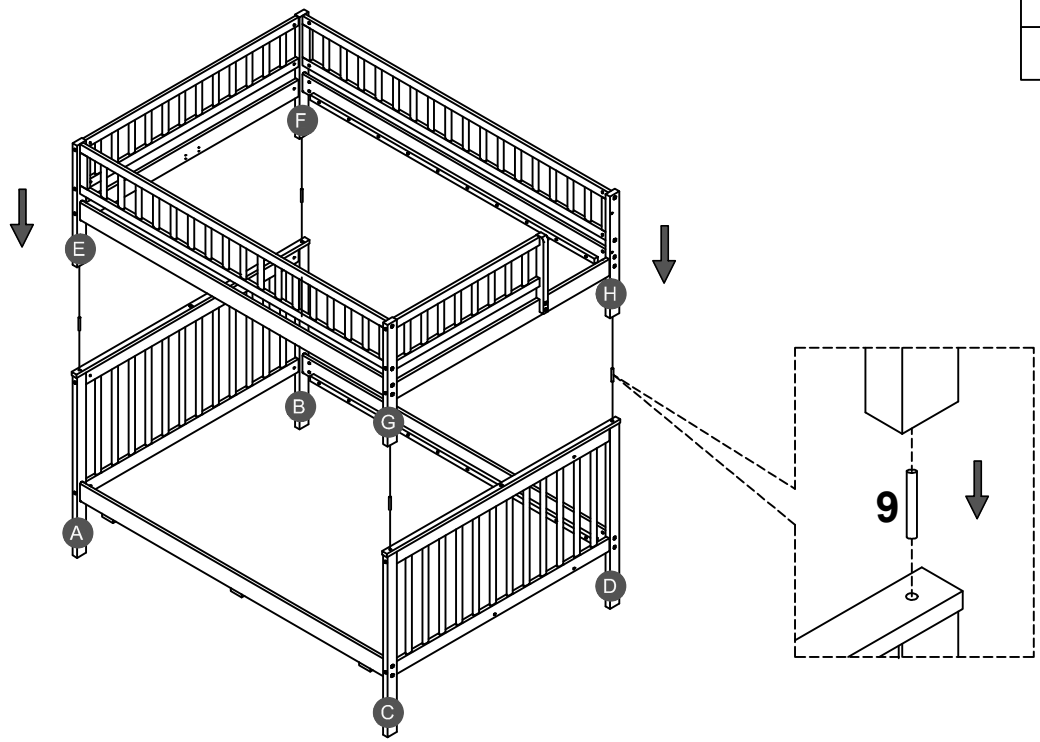
Balcony don't tighten these yet . Leave them a bit loose to make fitting the lower side rail more easily.

3		8	
16PCS		16PCS	



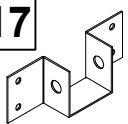
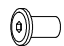


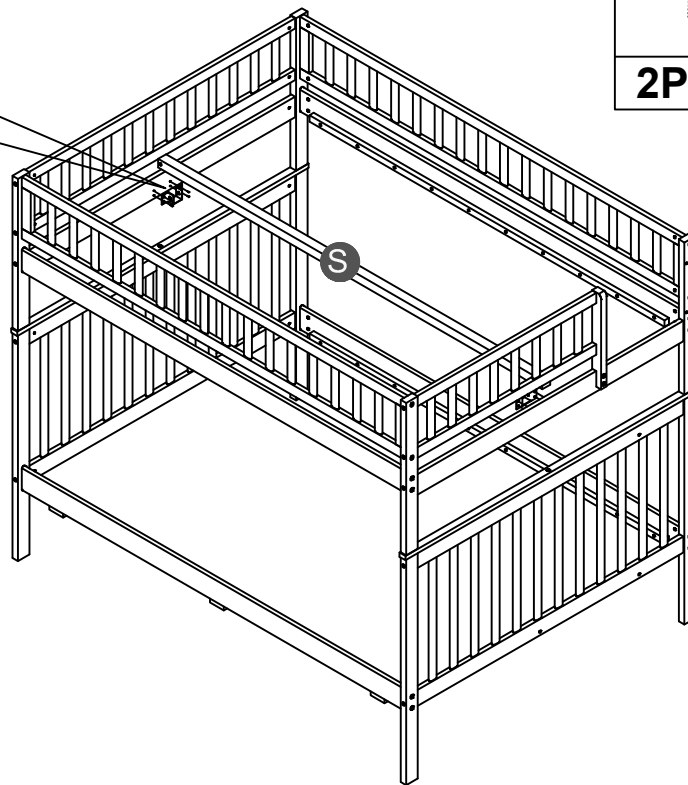
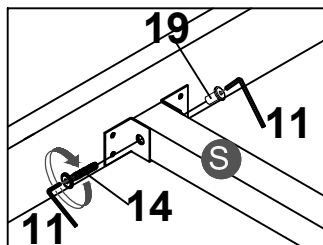
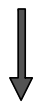
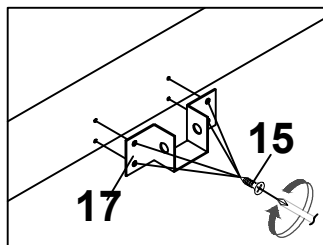
STEP 6:

9	
4PCS	






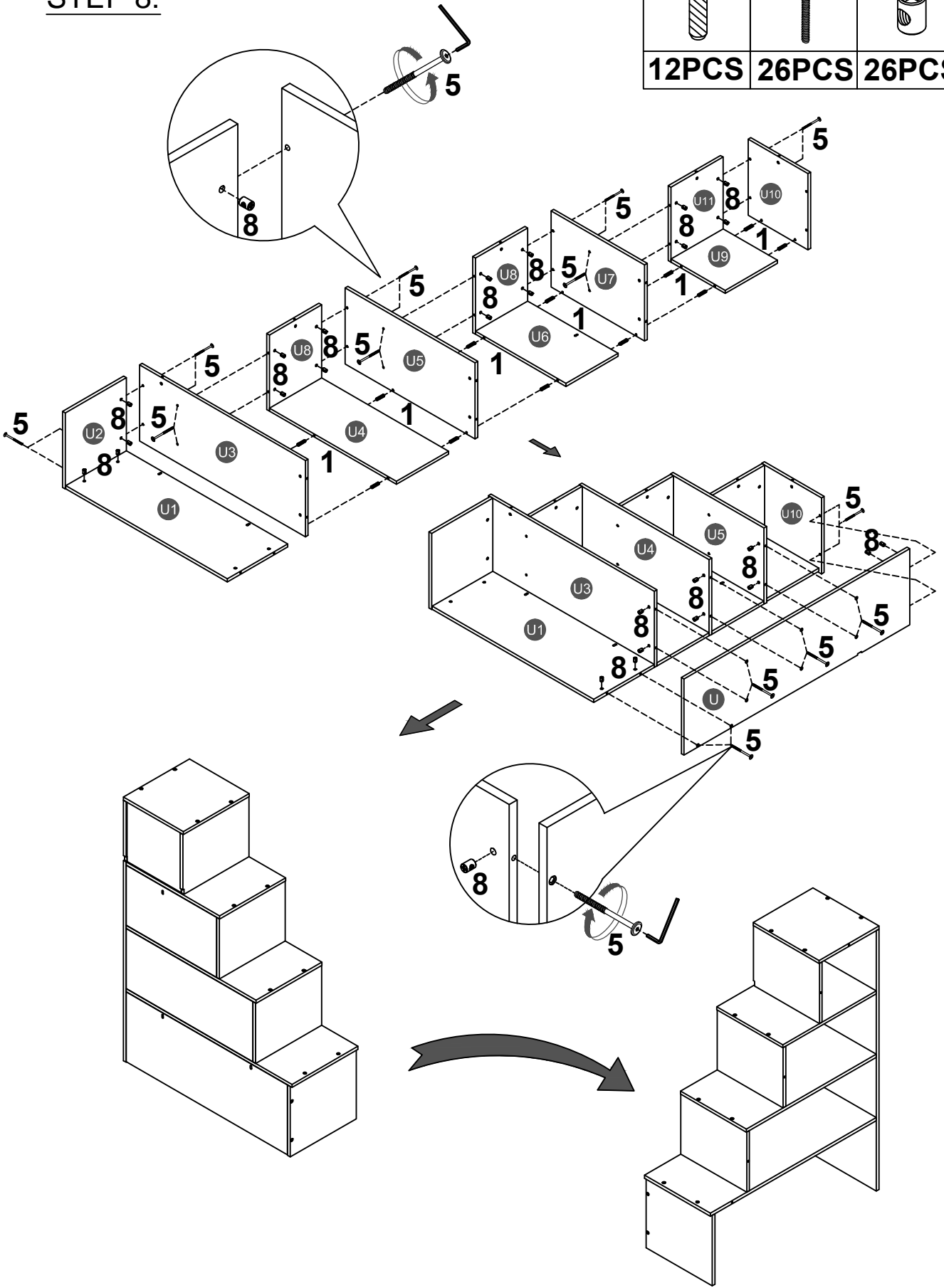
STEP 7:

14		15	
2PCS		8PCS	
		17	
		2PCS	
		19	
		2PCS	







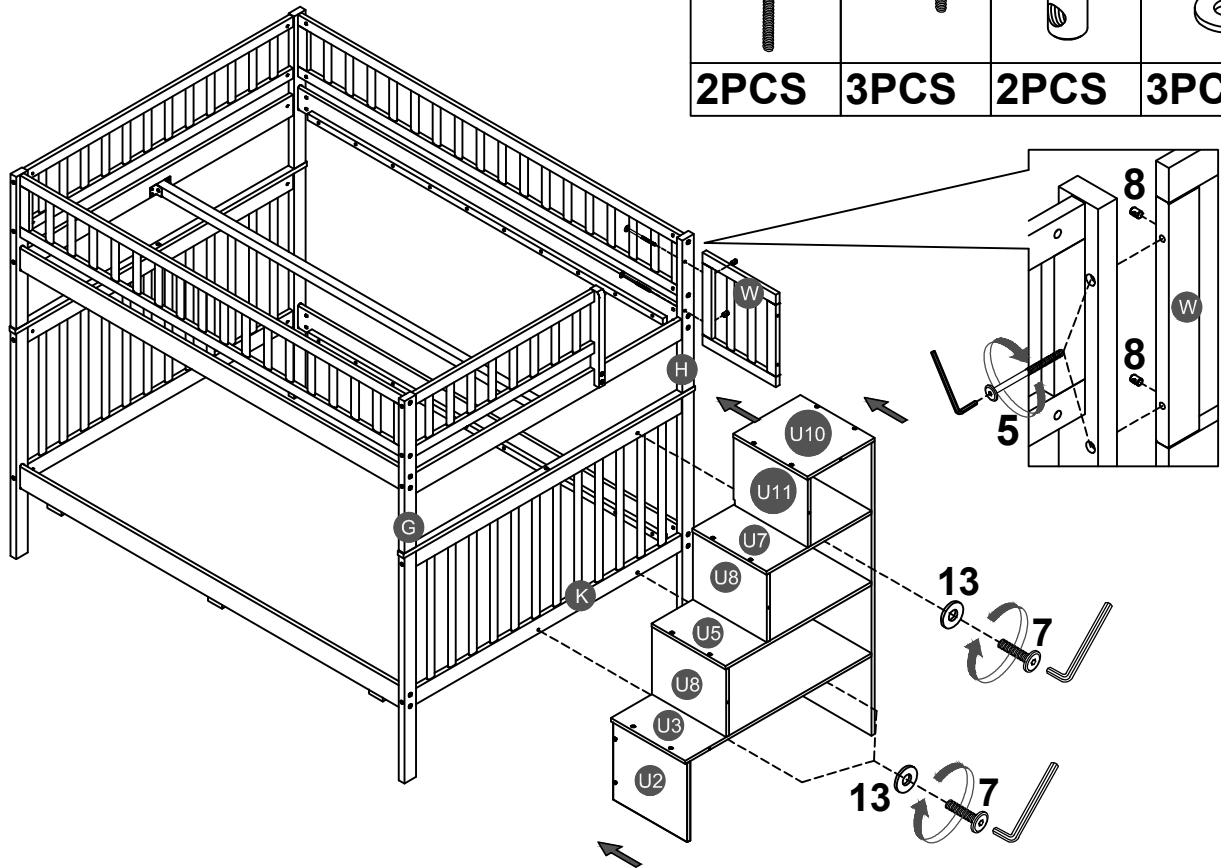
STEP 8:

1		5		8	
12PCS		26PCS		26PCS	





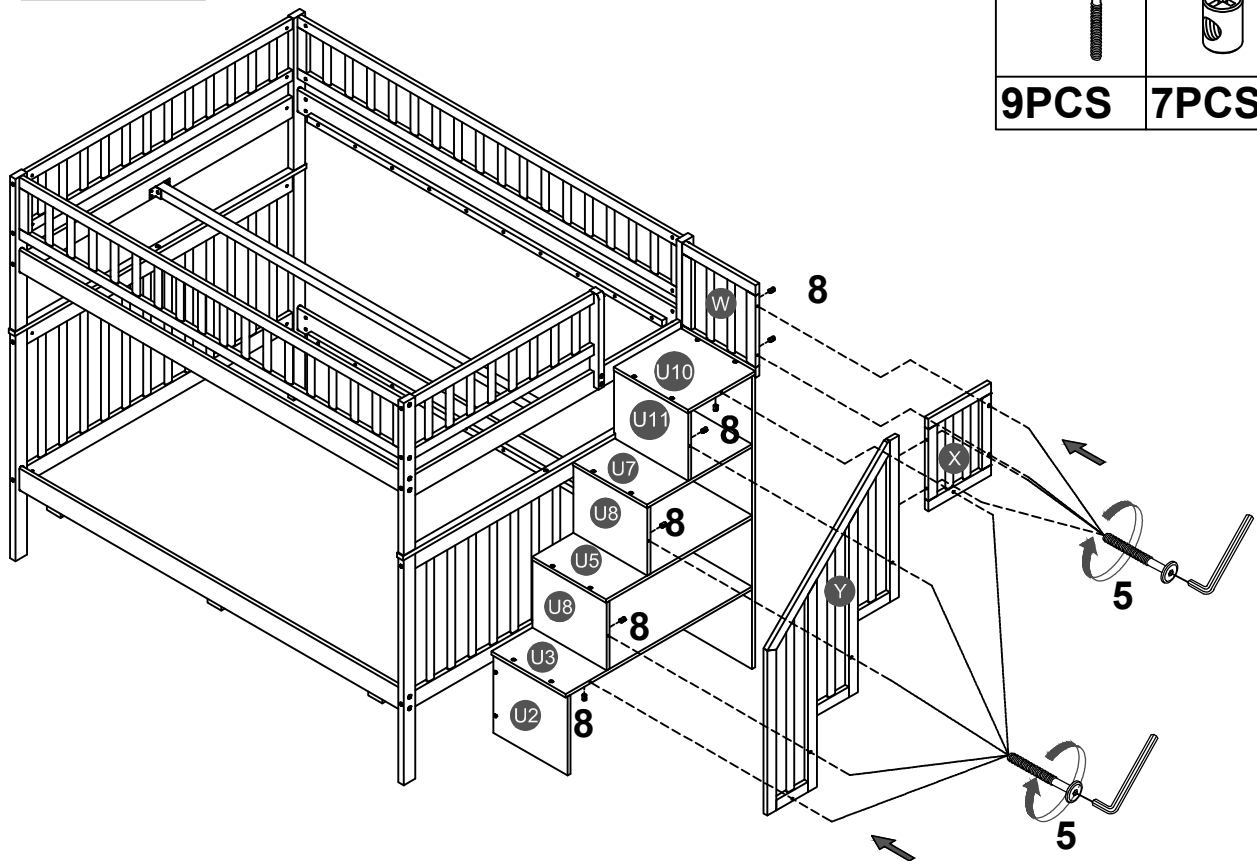
STEP 9:

5		7		8		13	
2PCS		3PCS		2PCS		3PCS	

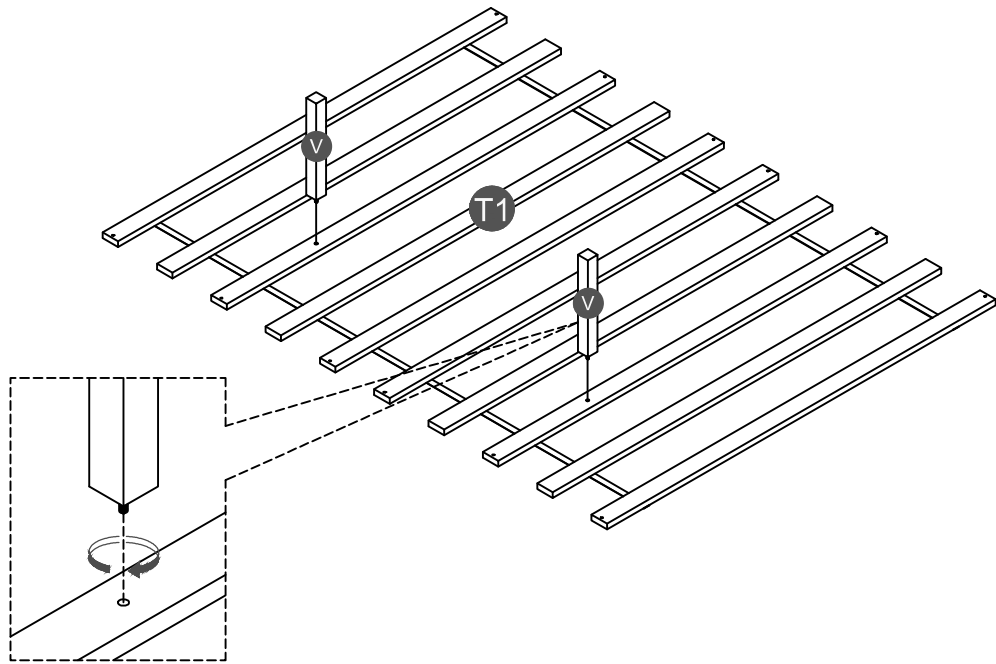


STEP 10:

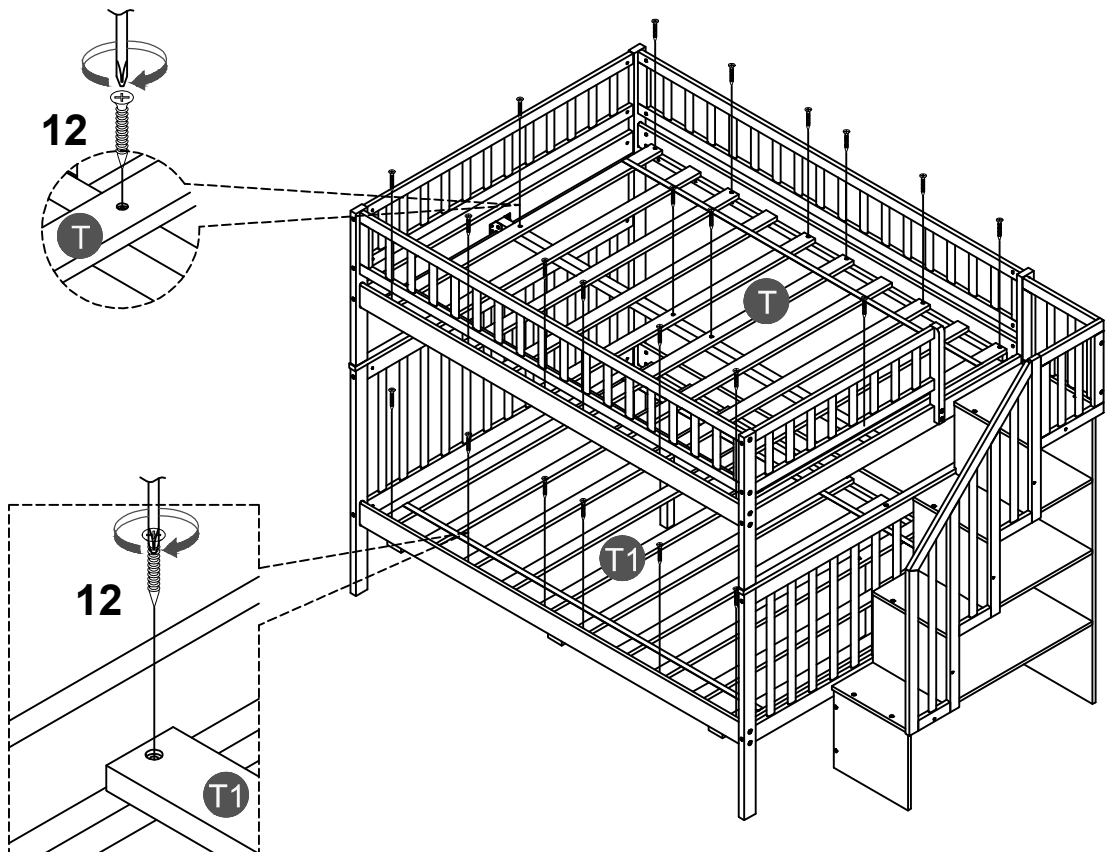
5		8	
9PCS		7PCS	



STEP 11:



STEP 12:

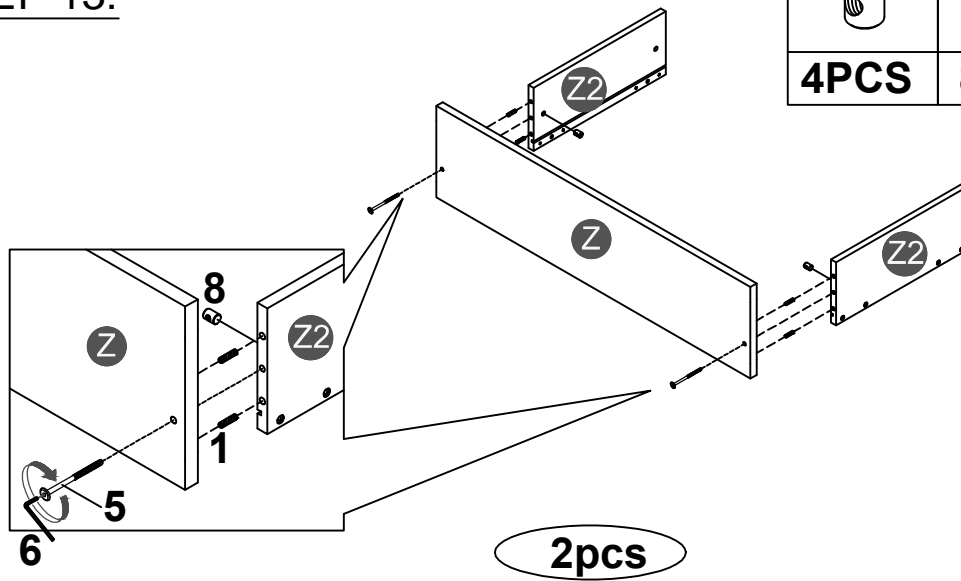


12



28PCS

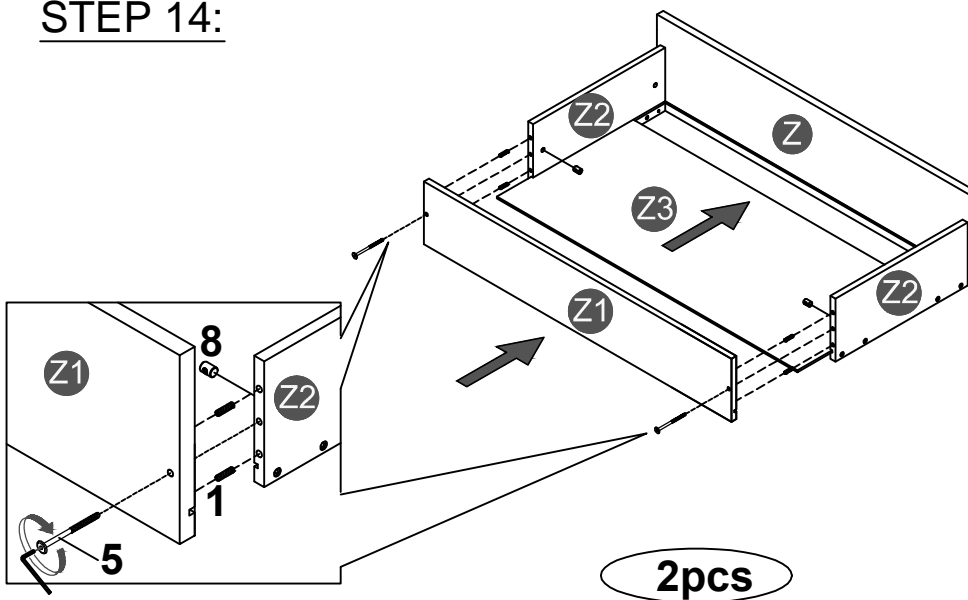
STEP 13:



8	1	5
4PCS	8PCS	4PCS

2pcs

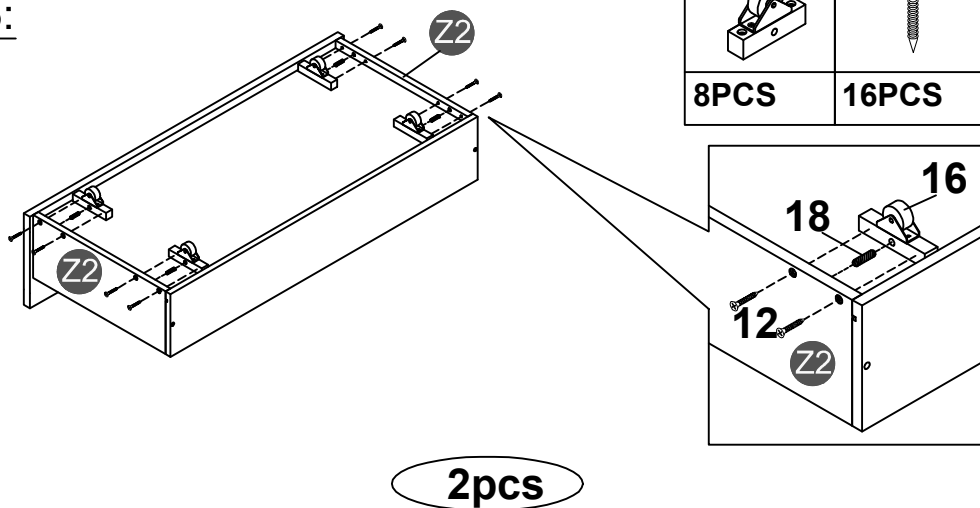
STEP 14:



8	1
4PCS	8PCS
	5
	4PCS

2pcs

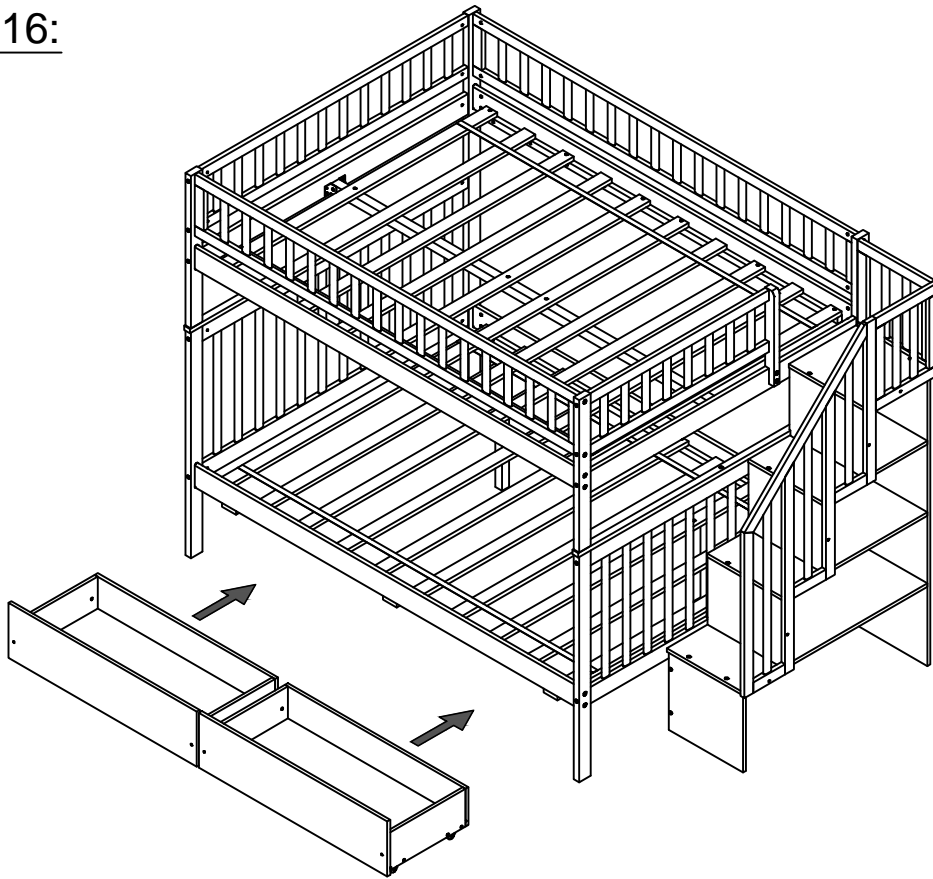
STEP 15:



16	12	18
8PCS	16PCS	8PCS

2pcs

STEP 16:



Push Drawer under the bottom of Bunkbed.

