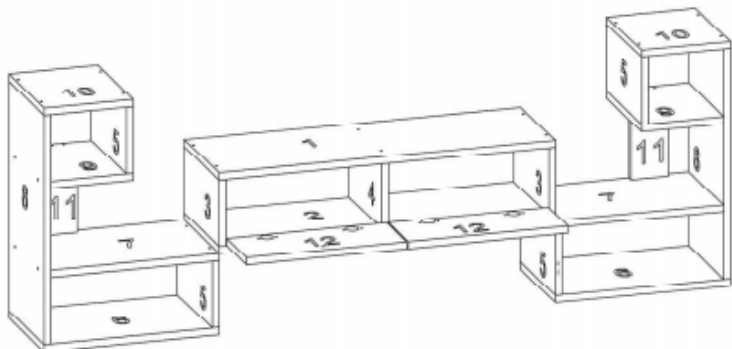


ACCESSORIES LIST

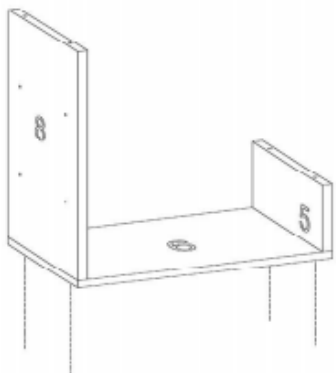
3x18 screw	4x50 screw	White Plug	Hinge	Handle	20mm Handle Screw	Nail
						
x16	x54	x50	x4	x2	x4	x30

-3x18 screws are used for the assembly of hinges.
 -4x50 screws are used for the assembly of hardboards with each others.
 -White plugs are used for covering the screws.

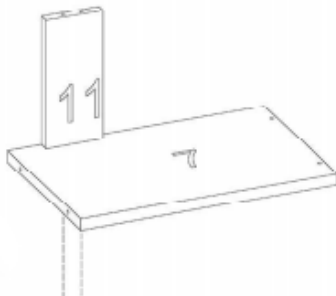
PARTS LIST



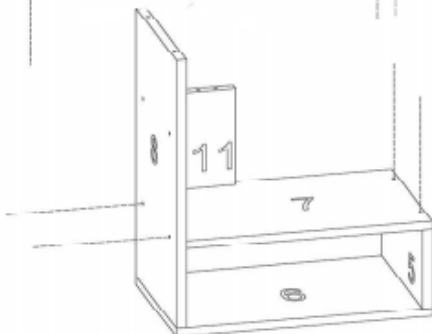
1. Stage



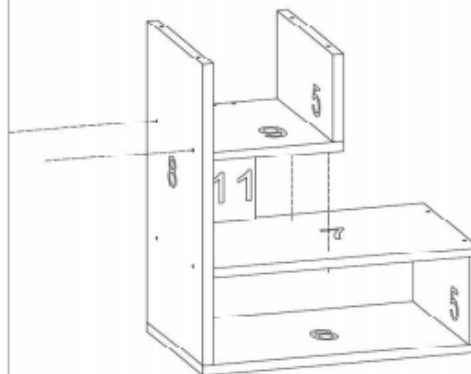
2. Stage



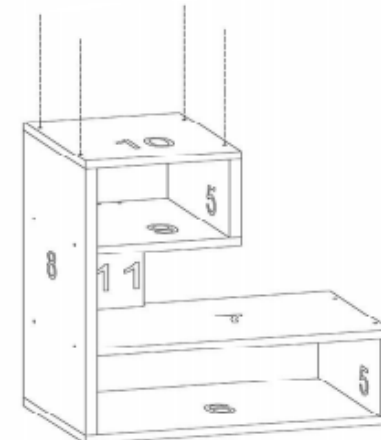
3. Stage



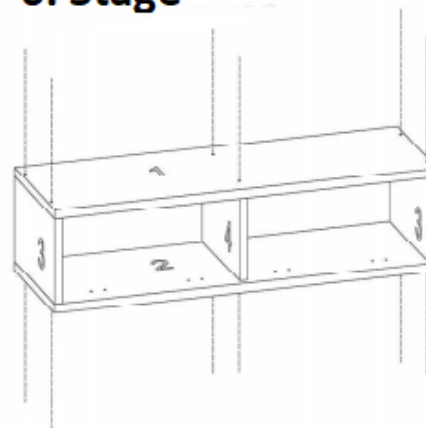
4. Stage



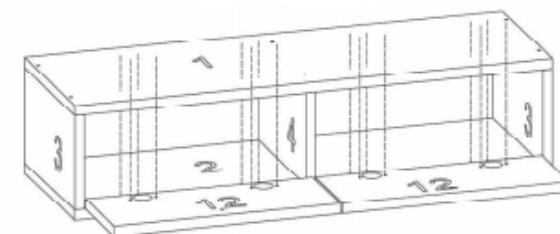
5. Stage



6. Stage



7. Stage



8. Stage

