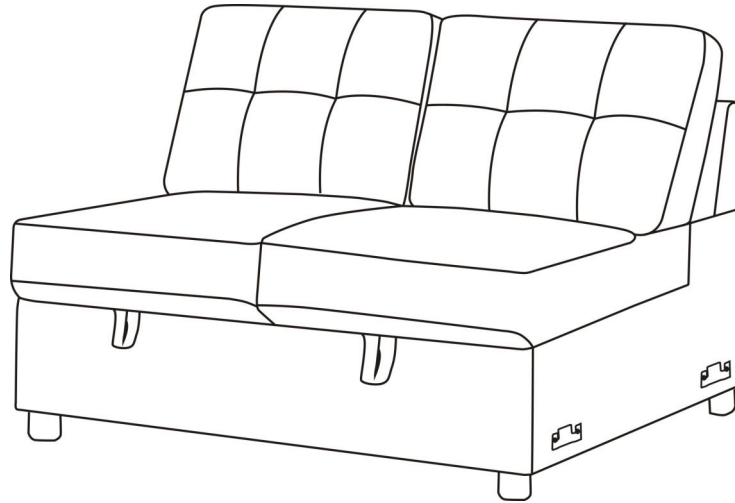
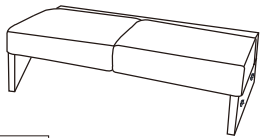


ASSEMBLY INSTRUCTION

ITEM NO.:F7222/F7333

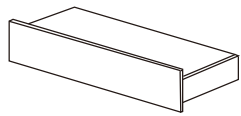


PARTS LIST



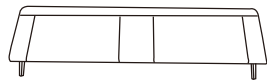
A

x1



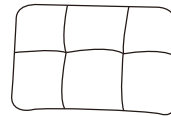
B

x1



C

x1



D

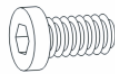
x2

HARDWARE LIST



1

x4



2

x8



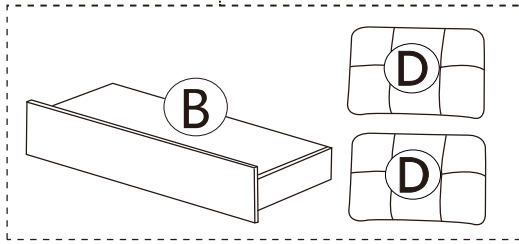
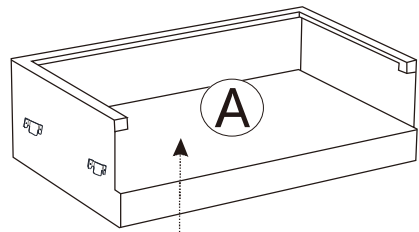
3

x1



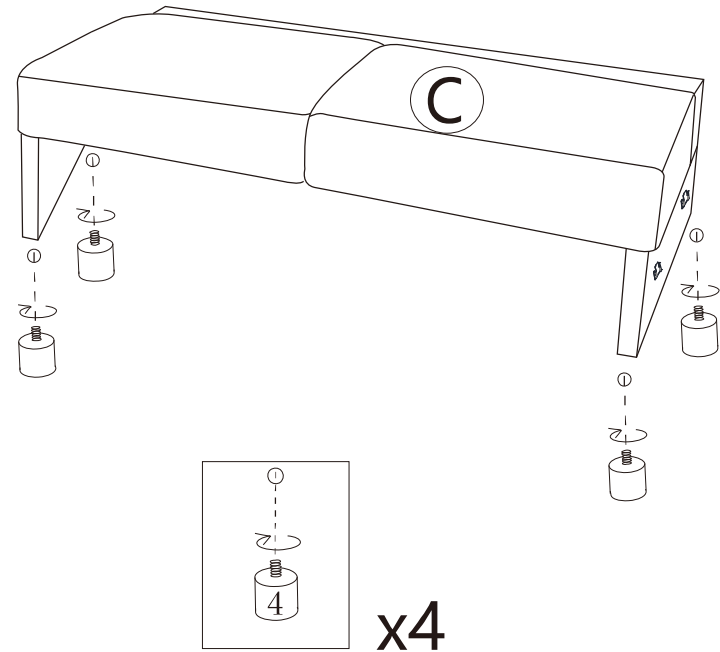
4

x4

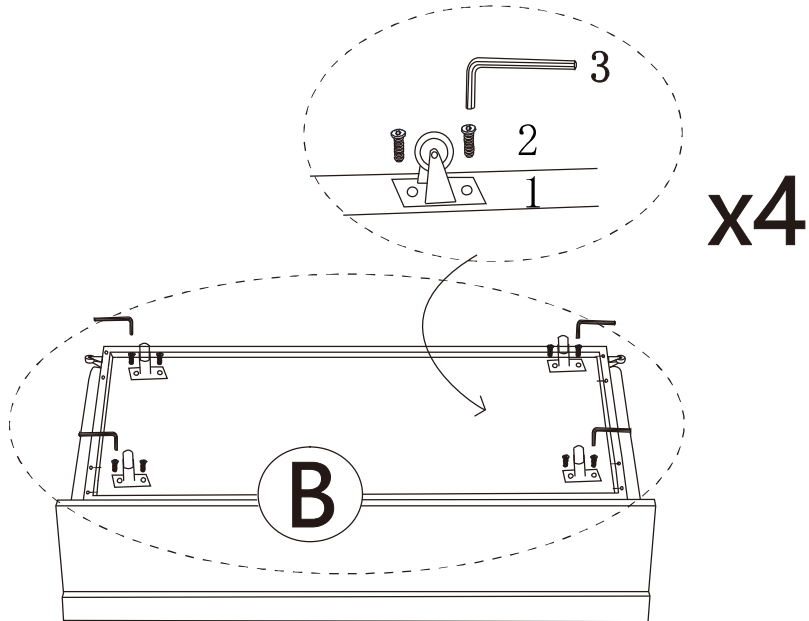


- | | | |
|--|---|----|
| | 1 | x4 |
| | 2 | x8 |
| | 3 | x1 |
| | 4 | x4 |

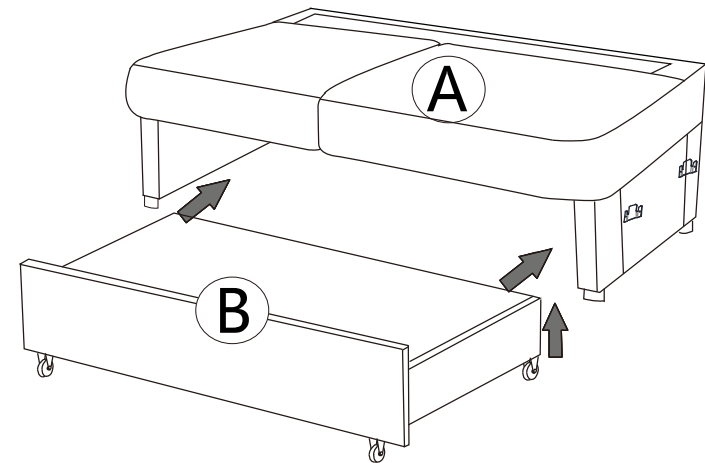
Step1



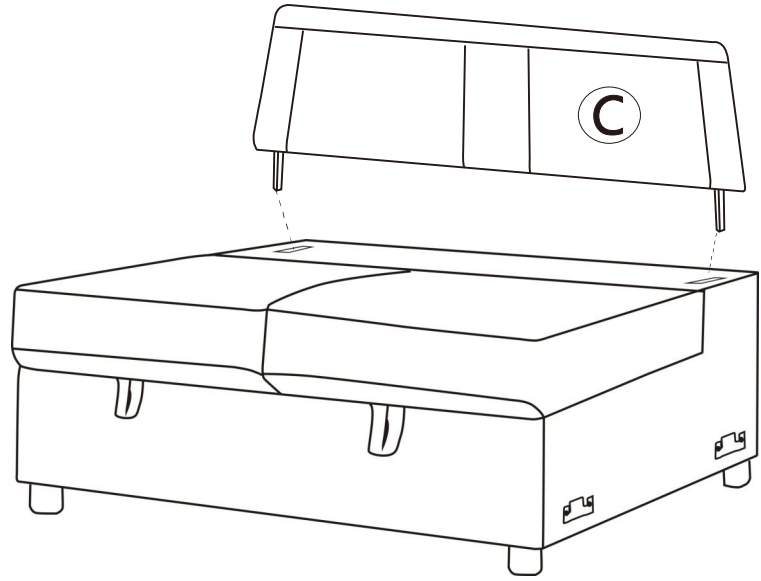
Step2



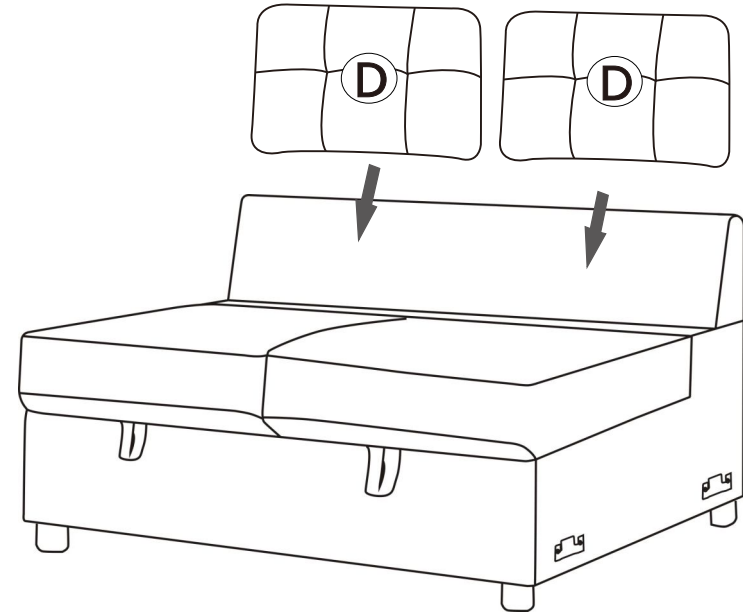
Step3



Step4



Step5



Step6

