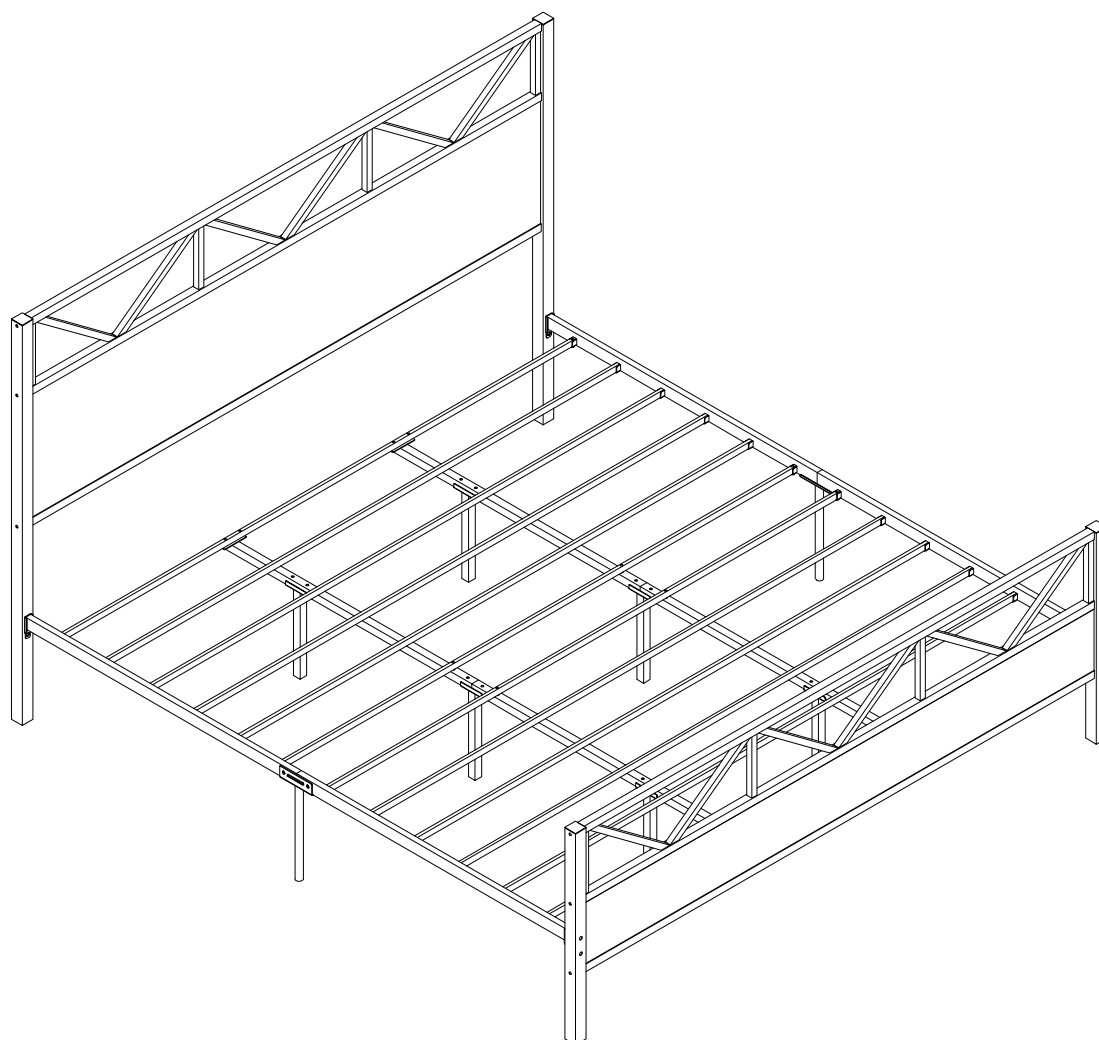
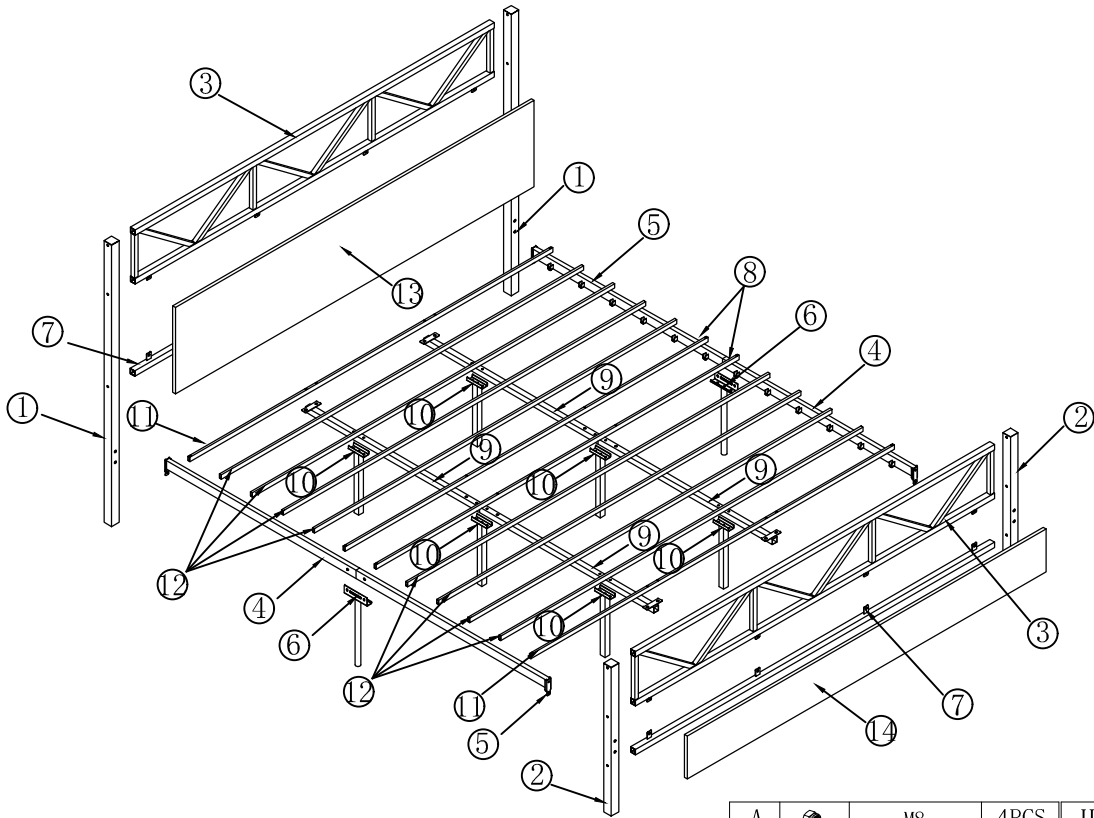


Please don't tighten the screws completely and go back later for a final tightening of all the screws after pieces are aligned with each other.

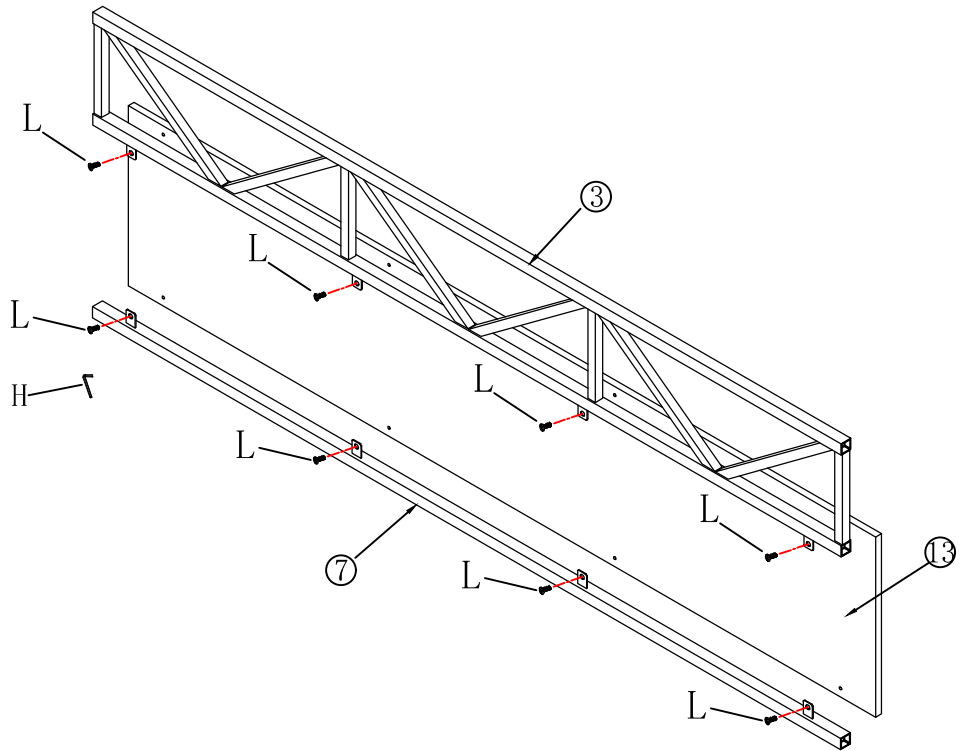







A		M8	4PCS	H		S4	1PC
B		M6*15	8PCS	I			1PC
C		M5*25	8PCS	J		M6*60	12PCS
E		M8*55	8PCS	K		∅6	32PCS
F		∅8	8PCS	L		M6*12	16PCS
G		M6*35	24PCS	M		M6	20PCS

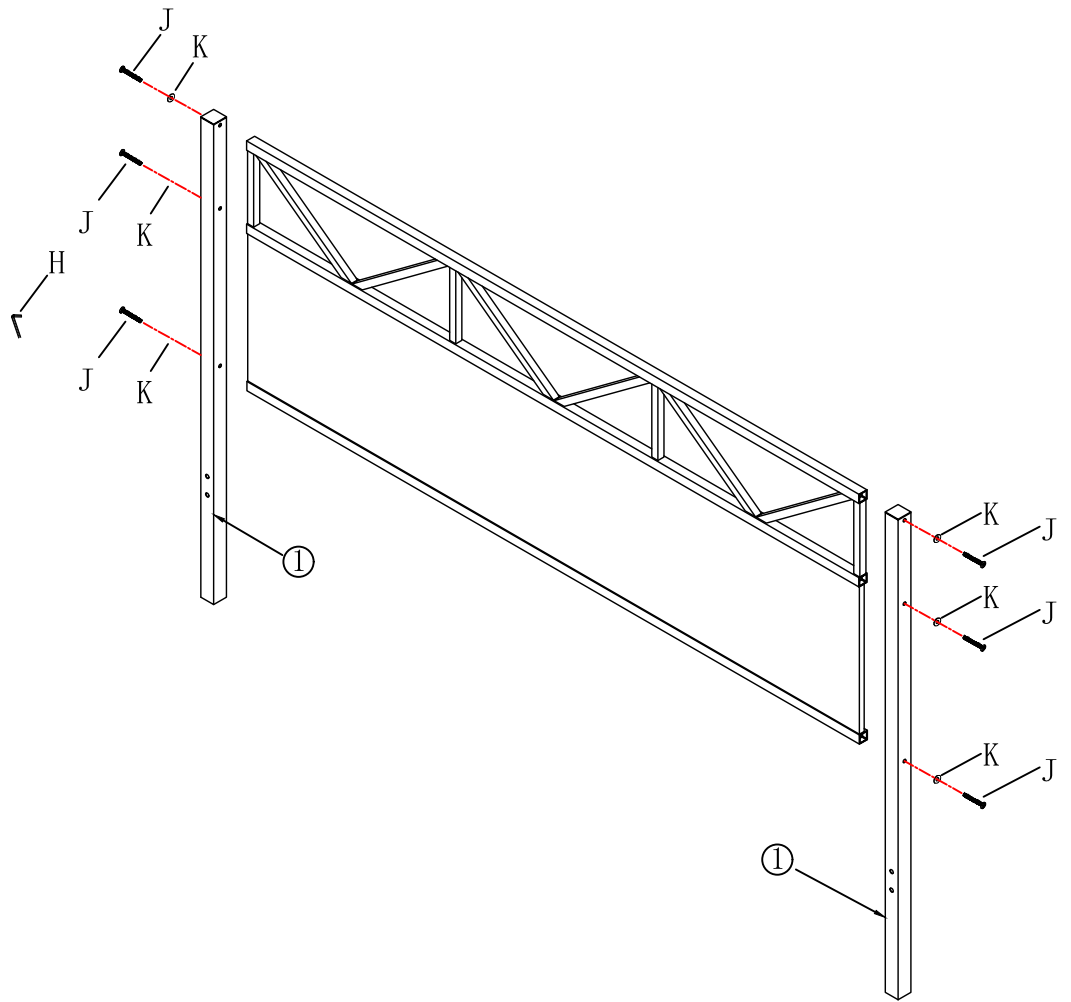
Step1

L		M6*12	8PCS
H			





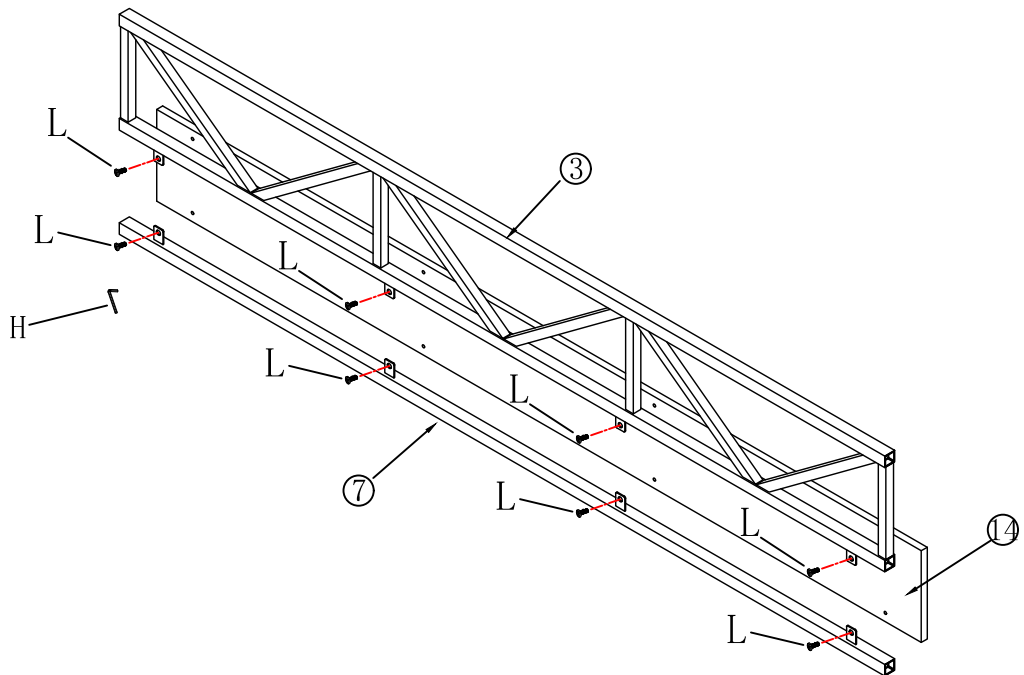
Step2

J		M6*60	6PCS
K		φ6	6PCS
H			






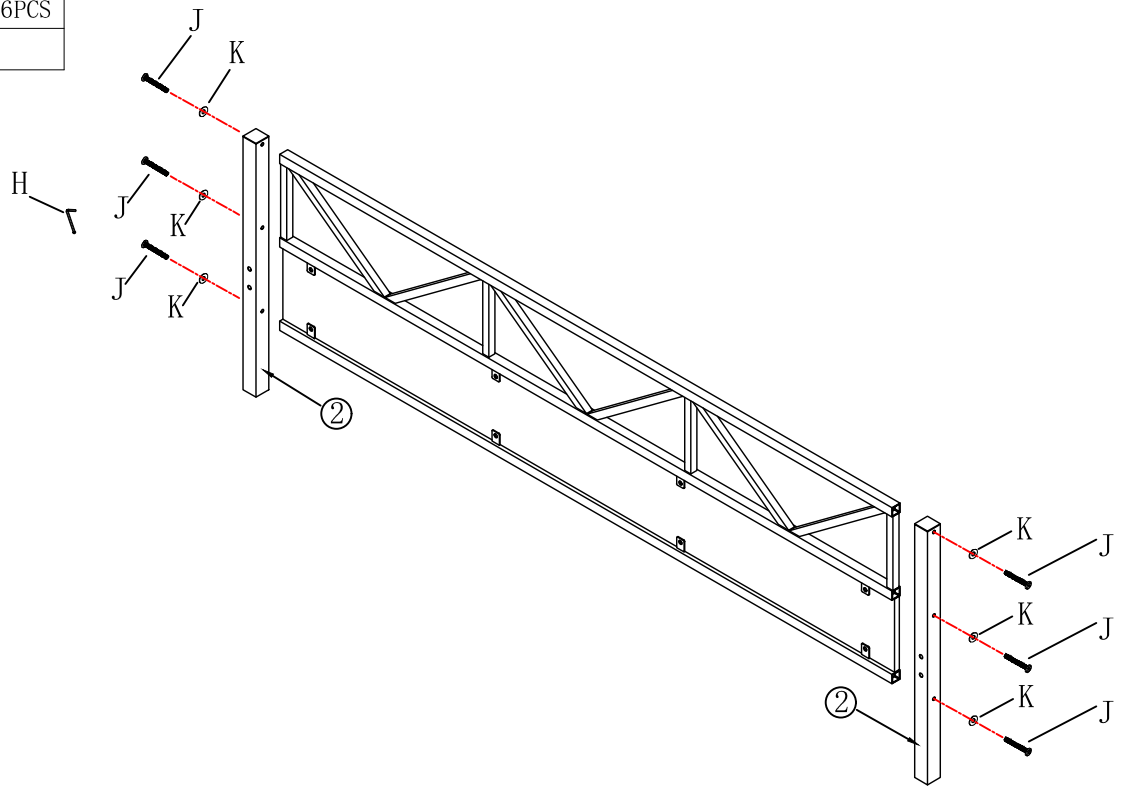
Step3

L		M6*12	8PCS
H			





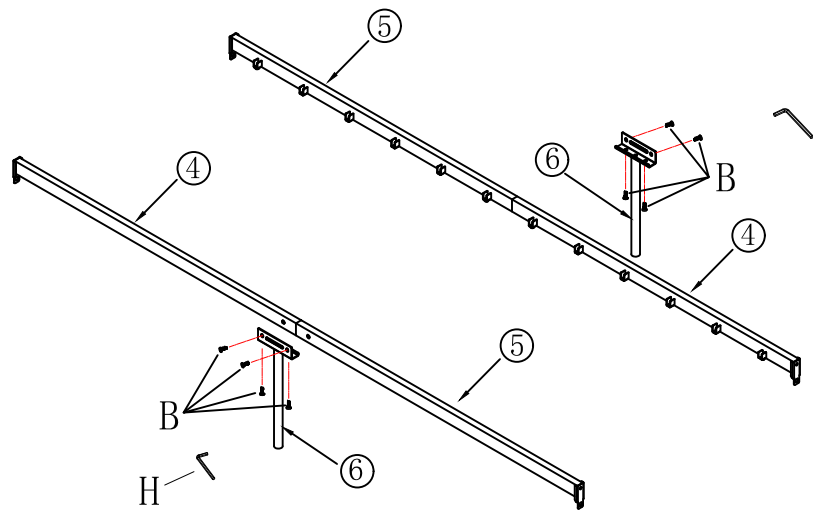
Step4

J		M6*60	6PCS
K		φ6	6PCS
H			








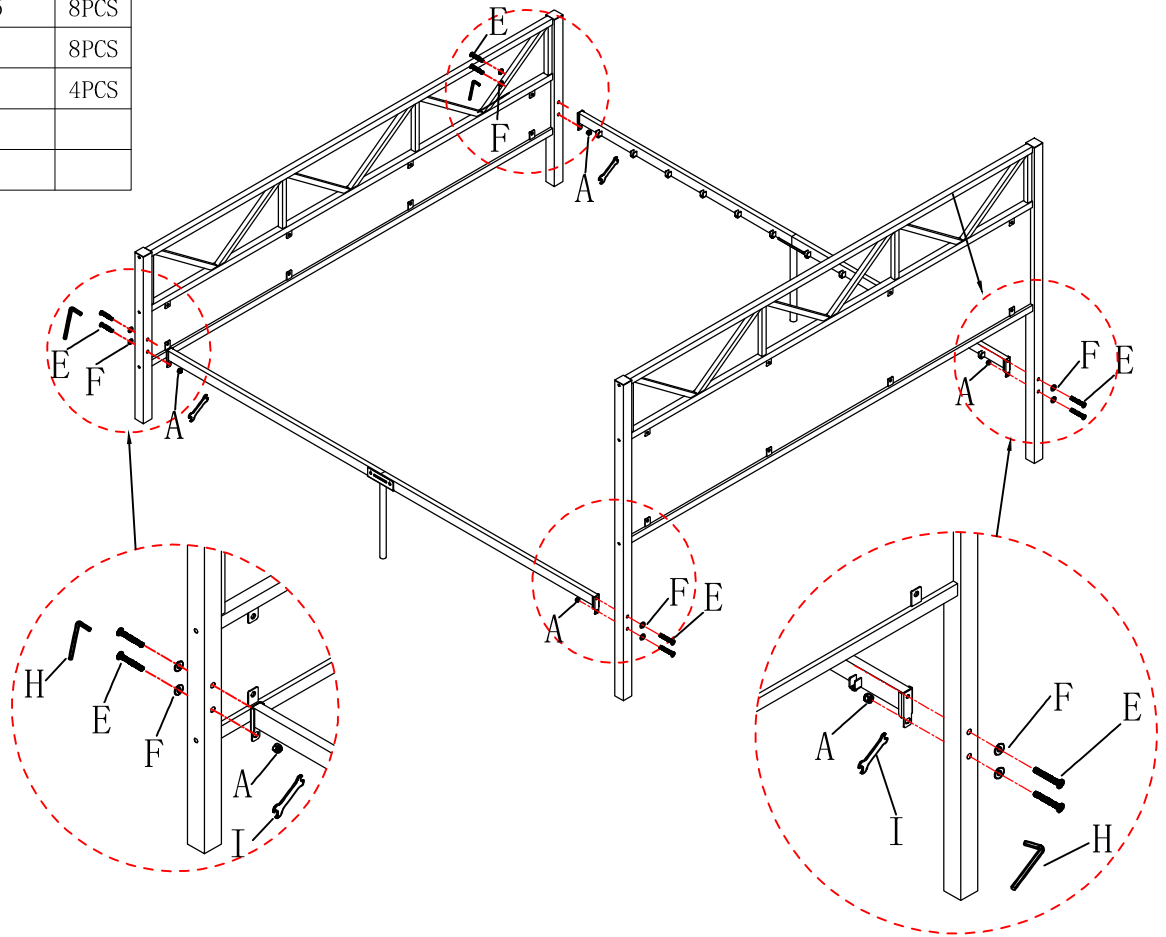
Step5

B		M6*15	8PCS
H			





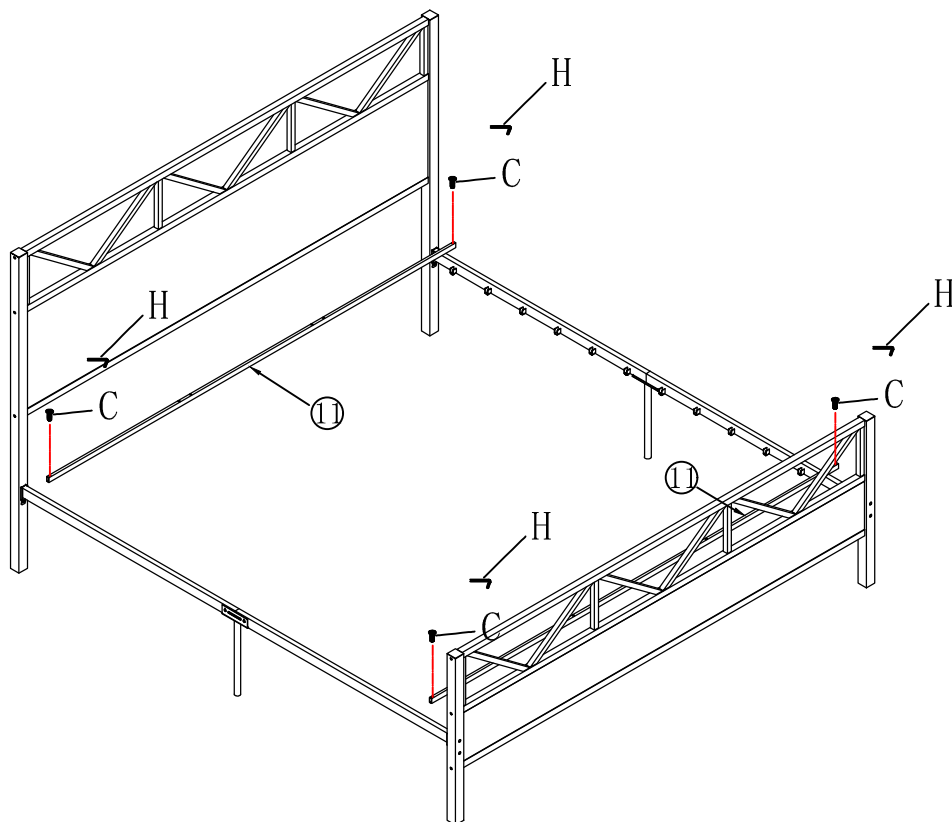
Step6

E		M8*55	8PCS
F		φ8	8PCS
A		M8	4PCS
H			
I			





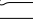


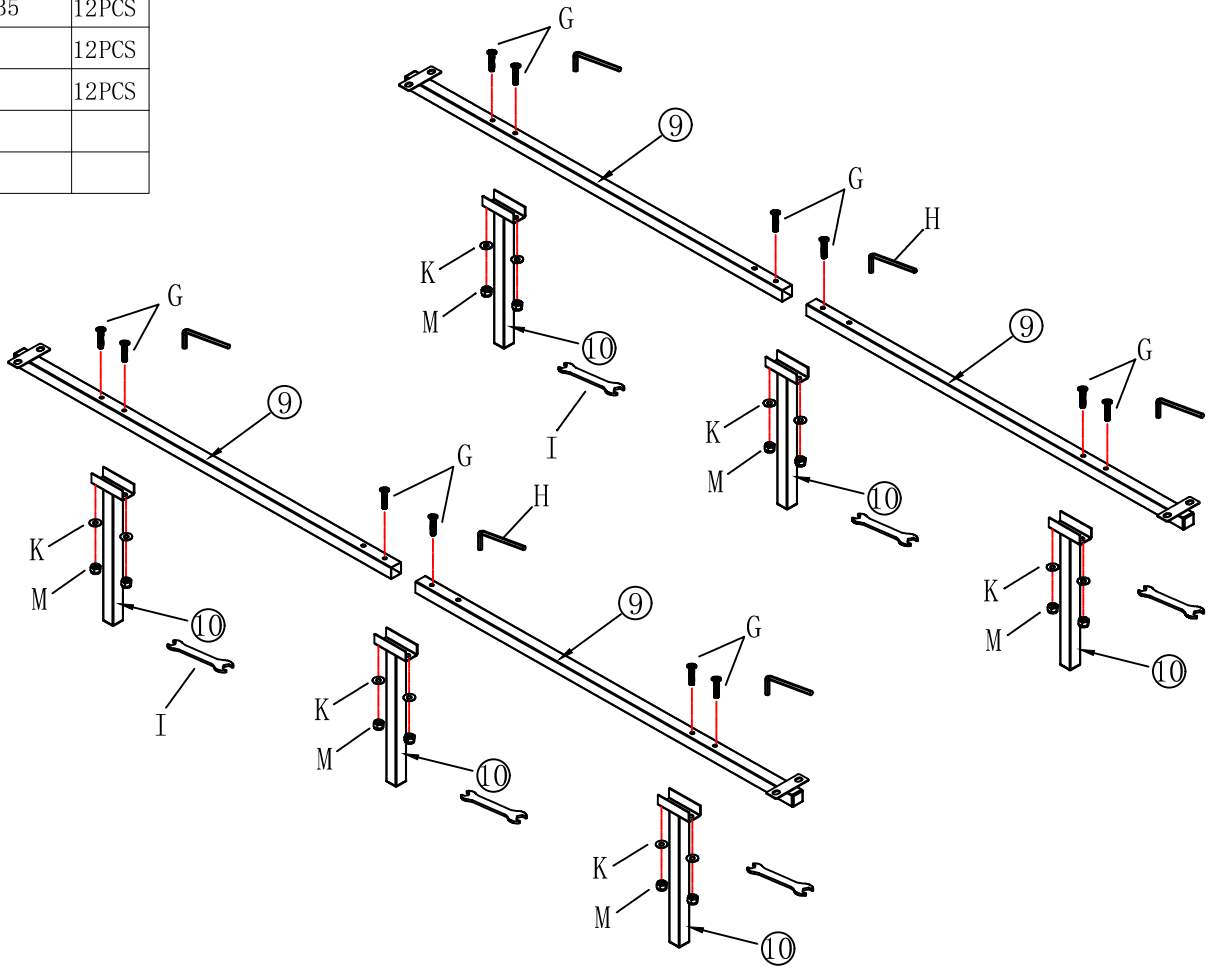
Step7

C		M5*25	4PCS
H			








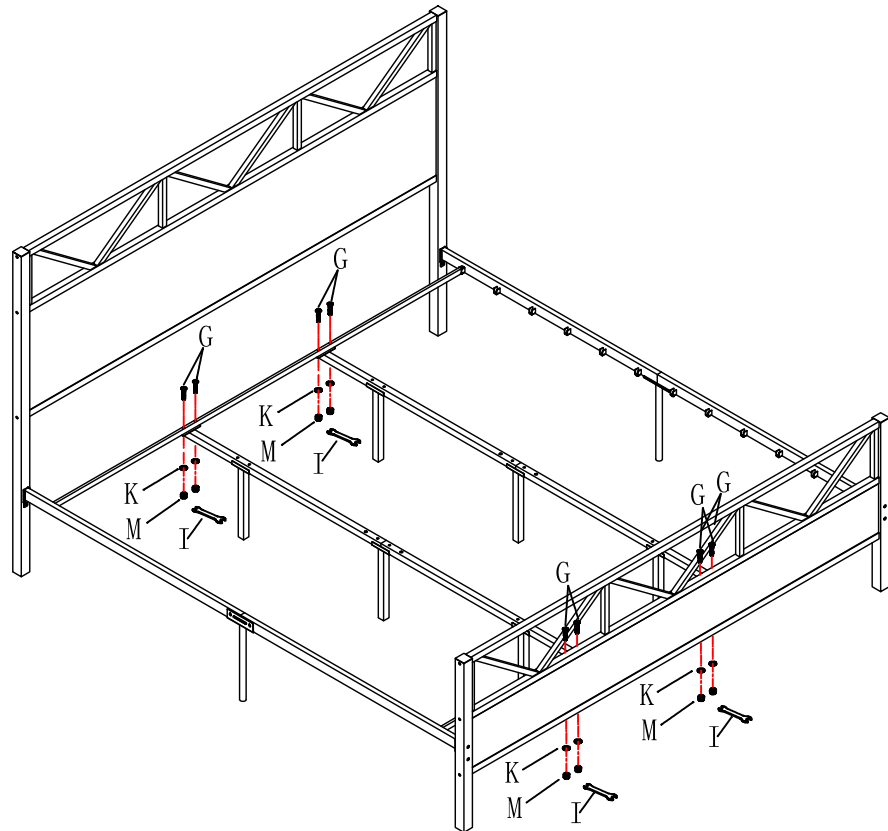
Step8

G		M6*35	12PCS
K		∅6	12PCS
M		M6	12PCS
H			
I			






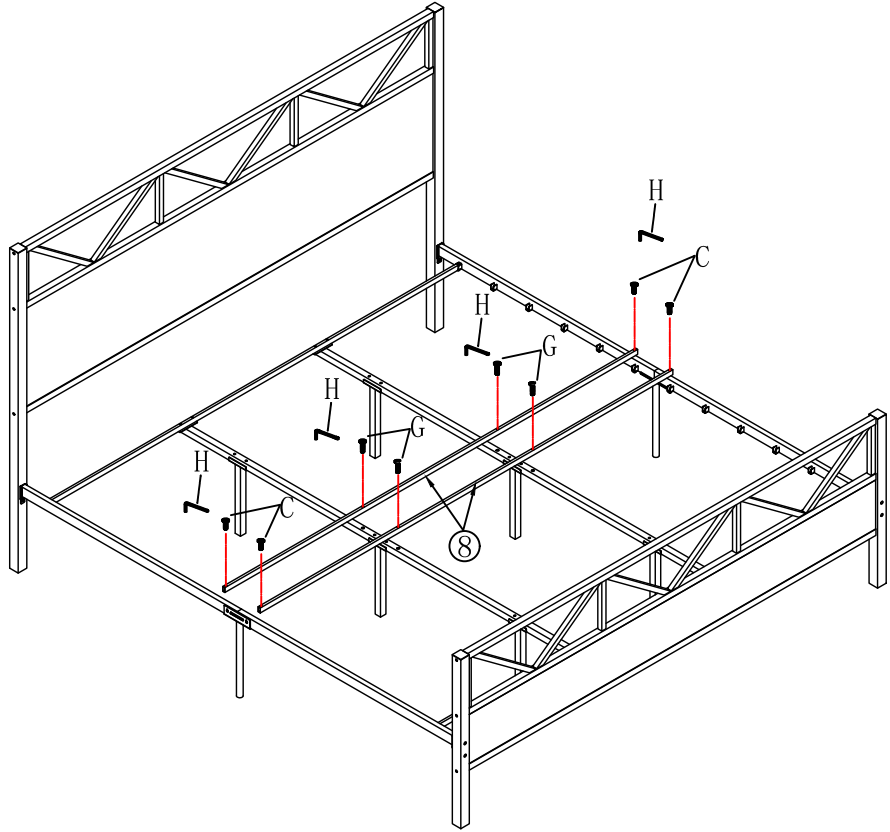
Step9

G		M6*35	8PCS
K		∅6	8PCS
M		M6	8PCS
H			
I			

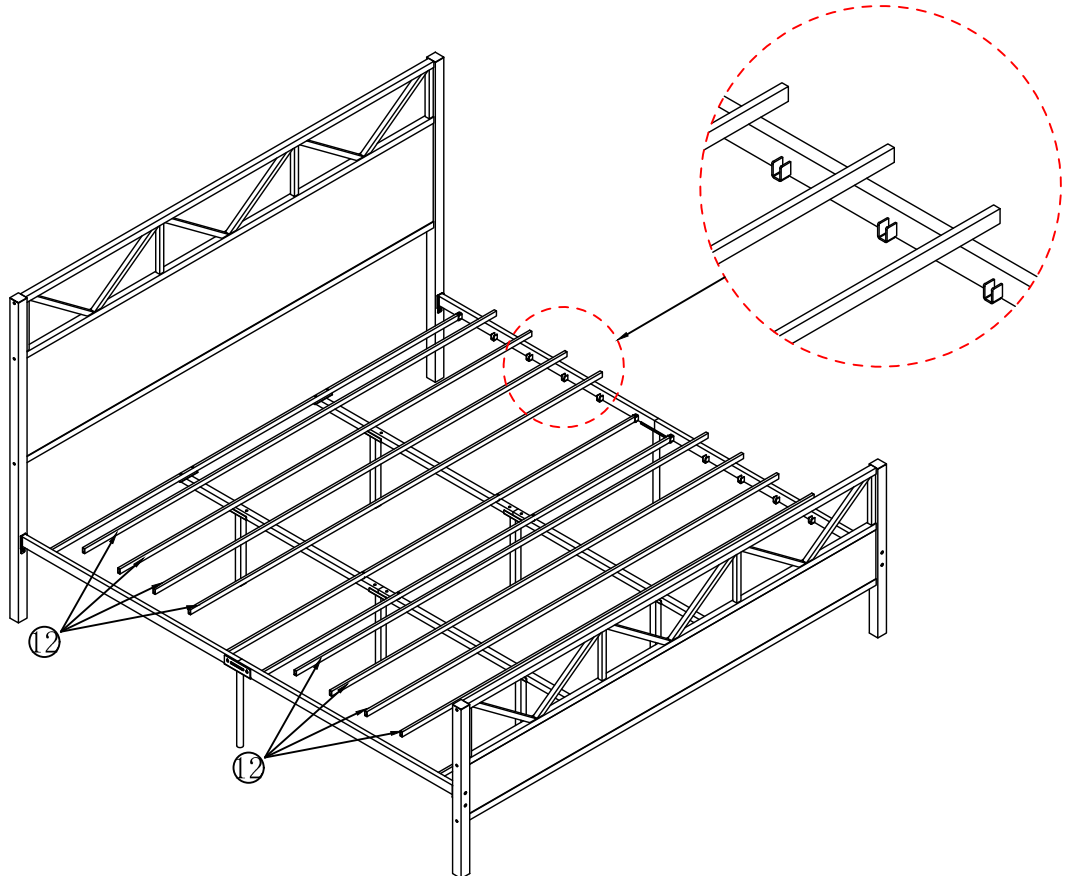


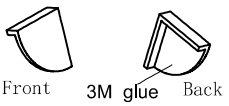
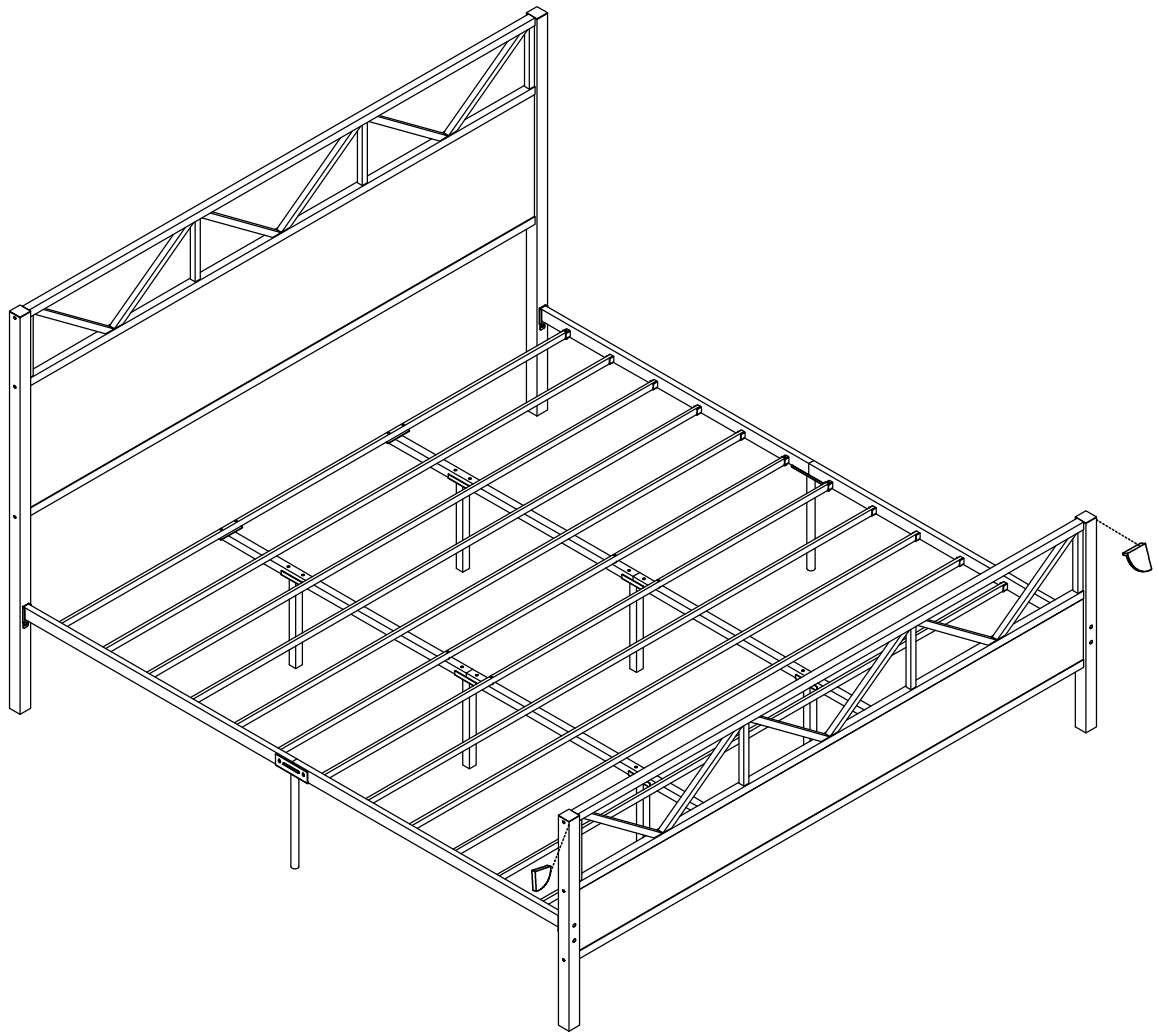
Step10

C		M5*25	4PCS
G		M6*35	4PCS
H			



Step11





Turn over the rubber anti-collision block, tear off the paper, and stick 3M glue on the foot of the bed.