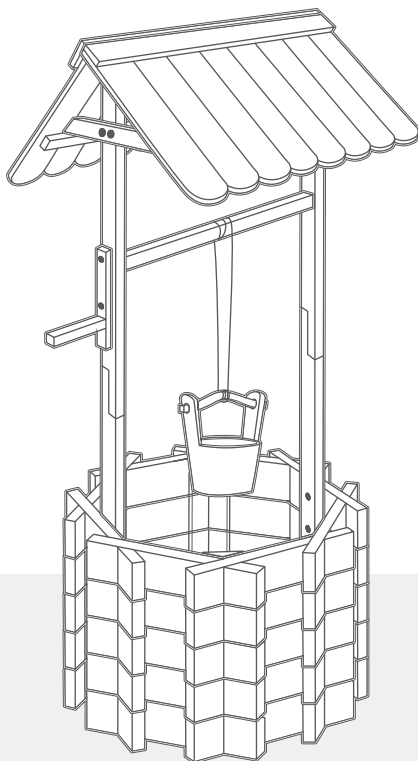


# MANUAL INSTRUCTION

## Wooden Well Planter



## **Outdoor Furniture**

---

We are a professional furniture provider with top-notch factories and outstanding designs, Our mission is to provide consumers with new lifestyles. By collecting consumer feedback, we constantly improve our products and create more choices for consumers. If you want to create your space,  
We are an ideal choice.

---

Always.

---



# WARNING

Ensure that all parts  
and hardware are  
available before  
beginning assembly

# TOOLS REQUIRED



Leveler(Optional)



Phillips Screwdriver



1 Persons Assembly

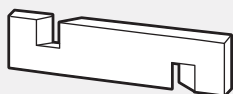


Up to 45 Minutes For Assembly

## PARTS

**A**

PLANTER WALL



30 PCS

**B**

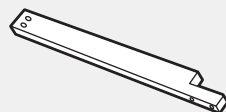
PLANTER WALL LOCK



10 PCS

**C**

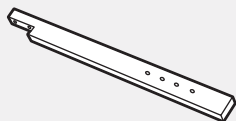
UPPER POST



2 PCS

**D**

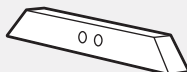
LOWER POST



2 PCS

**G**

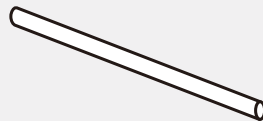
ROOF SUPPORT



2 PCS

**E**

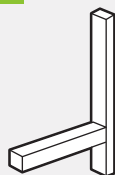
SUPPORT BEAM



1PCS

**F**

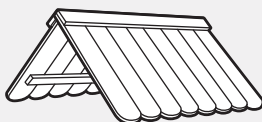
BUCKET REST



1 PCS

**H**

ROOF



1 PCS

**I**

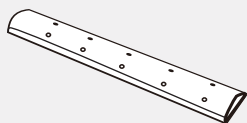
BUCK



1 PCS

**J**

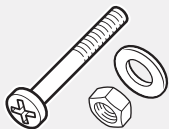
fasten batten



4 PCS

# HARDWARE

## 1 M6 X 55MM BOLT SET



8 PCS

## 2 M3.5 X 25MM SCREW



6 PCS

## 3 M3.5 X 40MM SCREW



10 PCS

## 4 M3.5 X 30MM SCREW

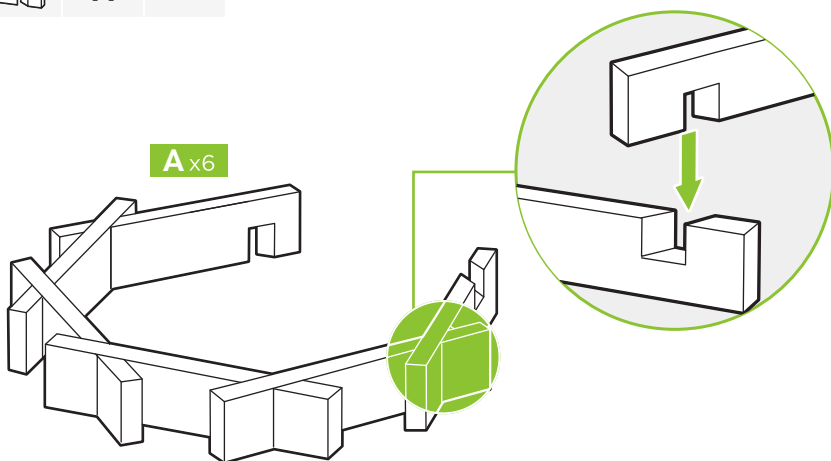


40 PCS+2PC

# PRODUCT ASSEMBLY

1 Interlock six part A planter walls into a semi-circle.

PART	NO.	QTY.
	A	6

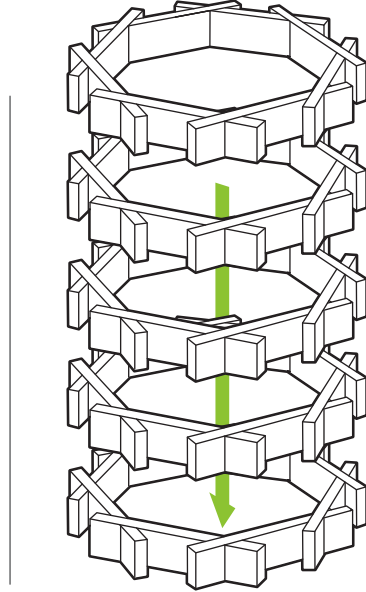
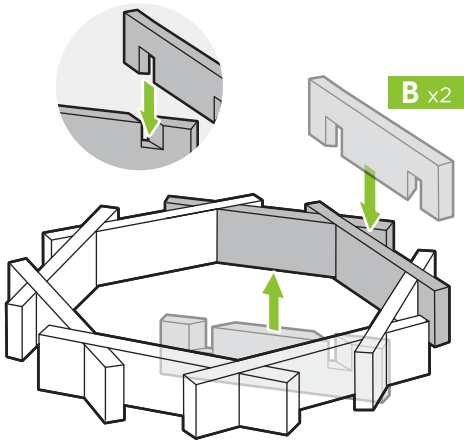


# PRODUCT ASSEMBLY

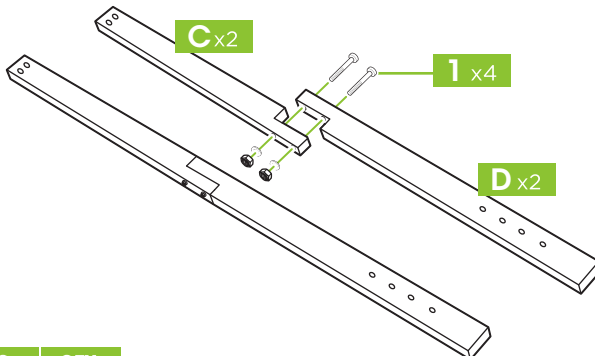
- 2** Close the circle with two part B planter wall locks. Repeat steps 1 and 2 to build additional three planter walls. Securely stack the walls on top of one another.



**NOTE:** Arrange the walls so there are no gaps or uneven spaces.

PART	NO.	QTY.
	<b>B</b>	2



- 3** Attach two part C upper posts to two part D lower posts with four part 1 bolt sets.



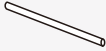





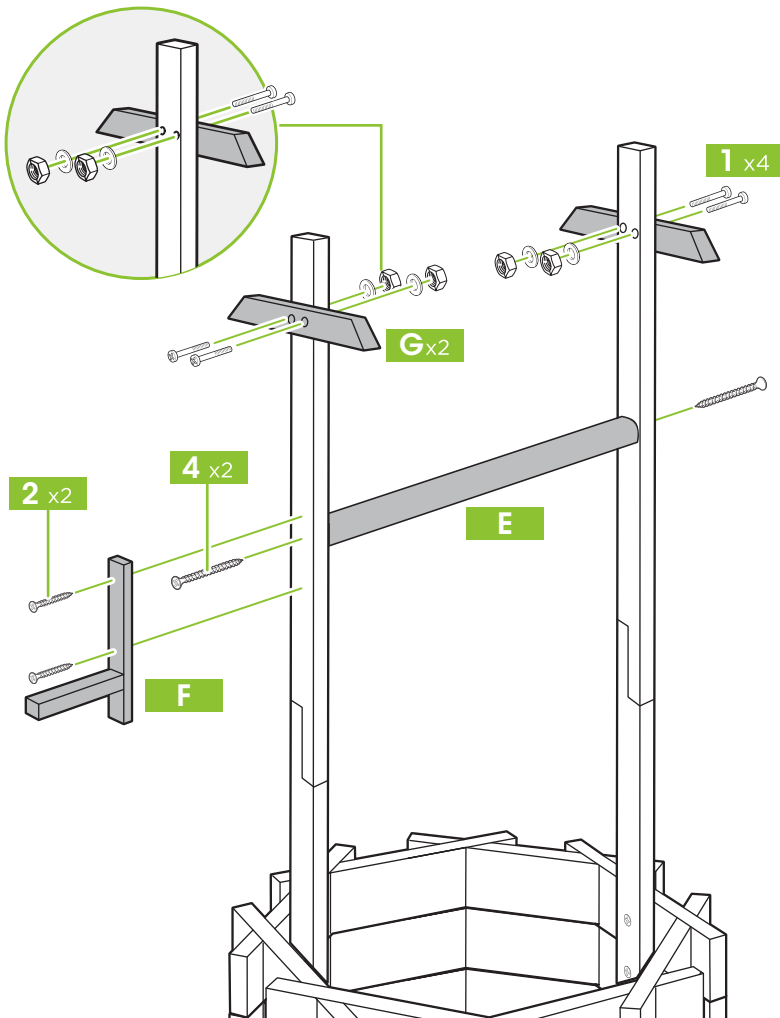
PART	NO.	QTY.
	<b>C</b>	2
	<b>D</b>	2

PART	NO.	QTY.
	<b>1</b>	4

# PRODUCT ASSEMBLY

**4** Attach part E support beam with two part 3 screws. Attach the part F bucket rest with two part 2 screws. Attach two part G roof supports with four part 1 bolt sets.

PART	NO.	QTY.	PART	NO.	QTY.
	<b>G</b>	2		<b>1</b>	4
	<b>E</b>	1		<b>2</b>	2
	<b>F</b>	1		<b>4</b>	2




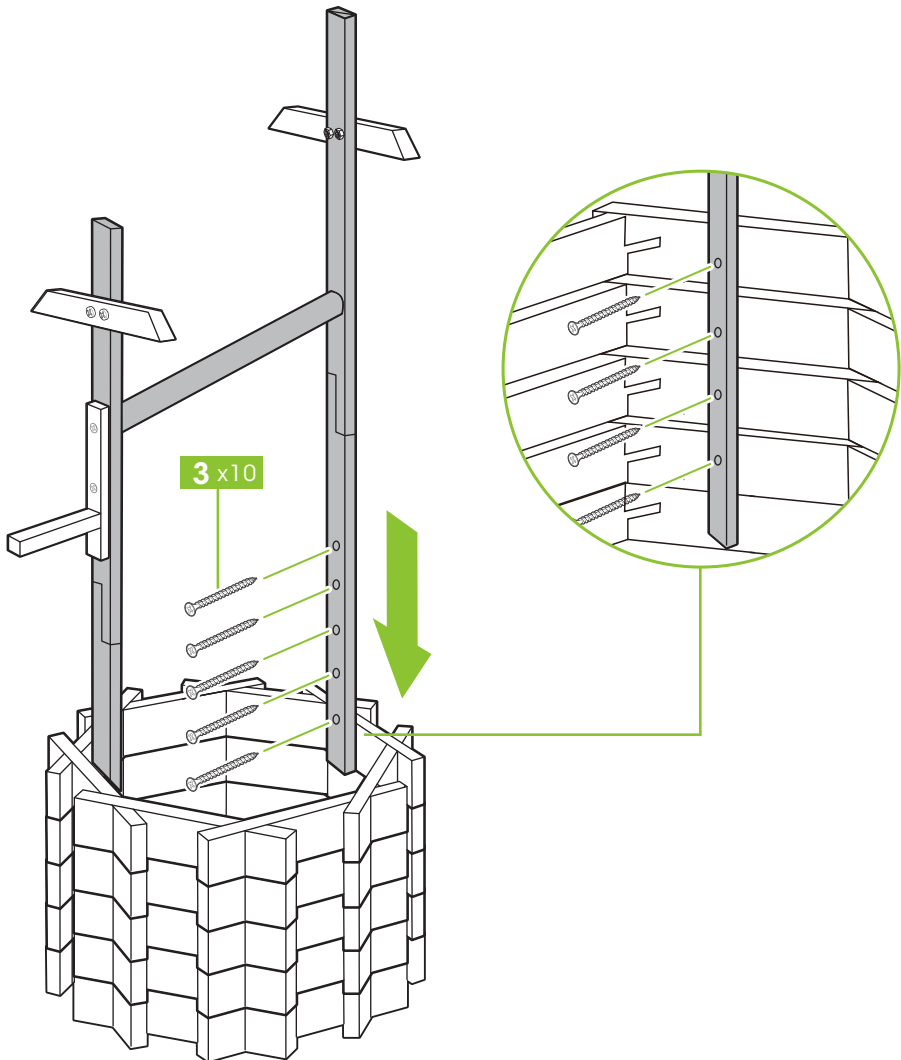
# PRODUCT ASSEMBLY

5

Place the assembled posts inside the planter wall assembly. Attach the two posts with eight part 3 screws.


**NOTE:** Use a leveler to ensure the posts are attached at the correct angle.

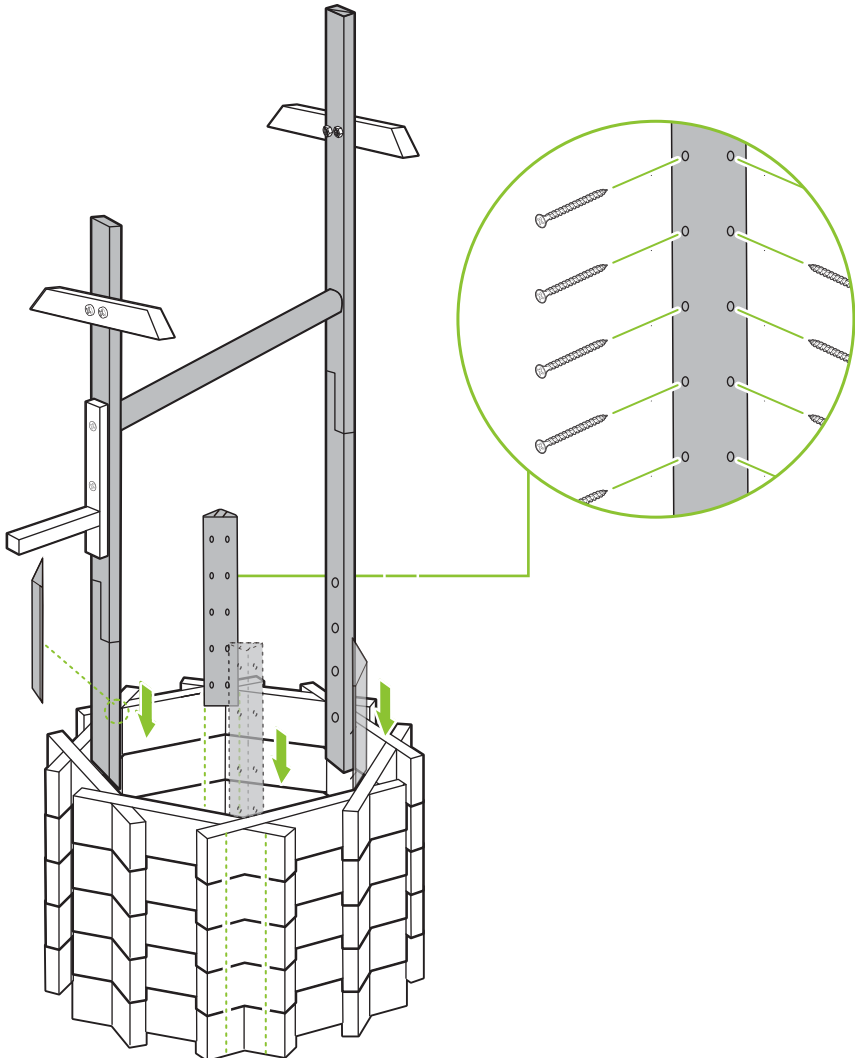
PART	NO.	QTY.
	3	10



# PRODUCT ASSEMBLY

**6** Please stick 4 part J to the bottom of the wishing well with screw #4.




PART	NO.	QTY.
	4	40



# PRODUCT ASSEMBLY

**7**

Place part H roof on top of the roof supports and secure with four part 2 screws. Tie the part I bucket to the support beam.

PART	NO.	QTY.	PART	NO.	QTY.
	<b>H</b>	1		<b>2</b>	4
	<b>I</b>	1			

