

ASSEMBLY INSTRUCTION

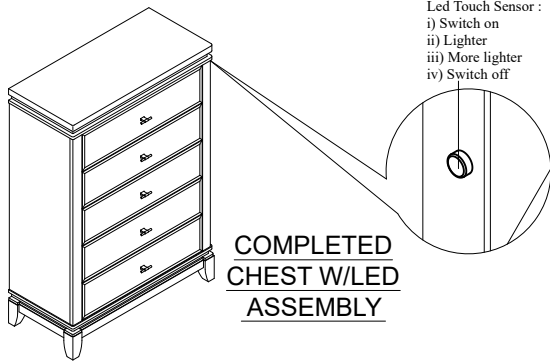
Description : CHEST WITH LED

Thank you for purchasing this quality product. Be sure to check all packing material carefully for small parts that may have come loose inside the carton during shipment.

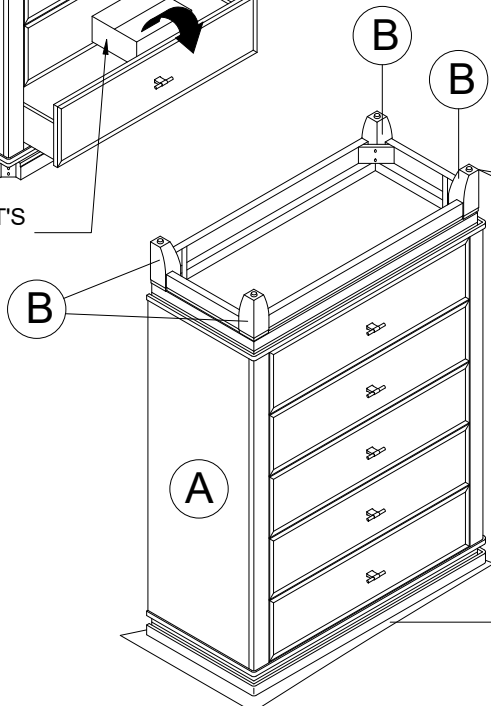
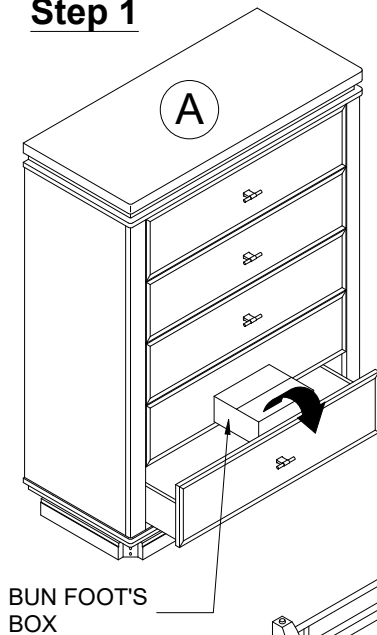
PART LIST :

HARDWARE LIST :

No.	Description	Diagram	Quantity	No.	Description	Diagram	Size	Quantity
A	CHEST WITH LED		1	C	FLAT WASHER		M8 x 22mm	8
B	BUN FOOT		4	D	SPRING WASHER		M8 x 15mm	8
E	HEX NUT			E	HEX NUT		M8	8
F	WRENCH			F	WRENCH			1
G	ADAPTOR			G	ADAPTOR			1



Step 1



Step 3

