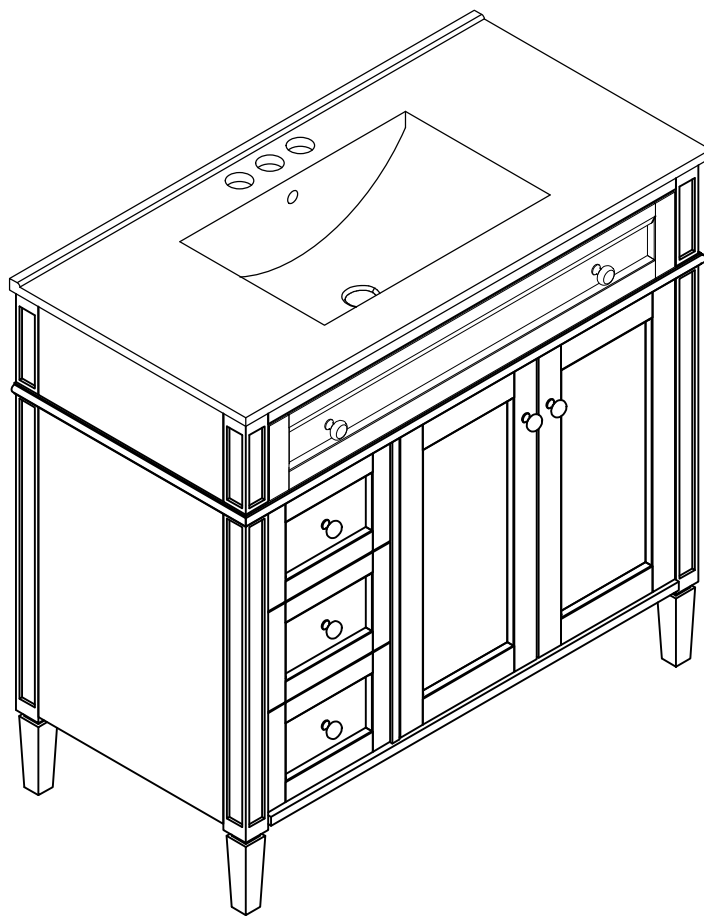


# ***Tribesigns***

DESIGNED FOR LIFE

## **Assembly Instructions**



**Bathroom Vanity**

Model No.  
**HOGA-ZF00010-YN**



**LITTLE TREE**  
Little Tree by Tribesigns

[www.tribesigns.com](http://www.tribesigns.com)



# Contact Us

## We're here to help you.




Your satisfaction is our top priority. If you encounter any issues with this product, such as missing or damaged parts, we're here to help. Please retain the original packaging and take photos of the packaging and the product, then contact us as soon as possible.

### Warm Tips

1. Carefully read these instructions and keep them for future reference.
2. Check the parts list and confirm everything's there before starting assembly.
3. When assembling, put all parts on a soft, smooth surface like a carpet to avoid scratches.
4. Don't fully tighten screws until all parts are confirmed in place to avoid misalignment.

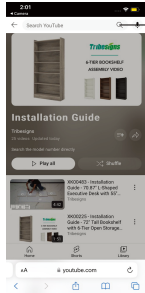
### How to Get the Assembly Video

**Step 1** Scan the QR code.



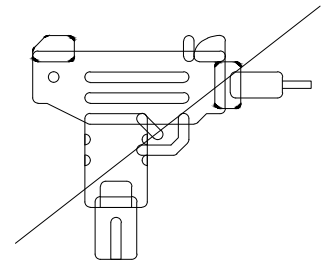
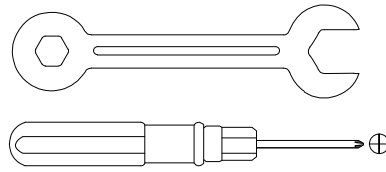
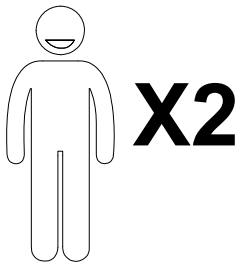
Installation Video

**Step 2** Search with the Model No.  
(on the bottom left corner of the title page)



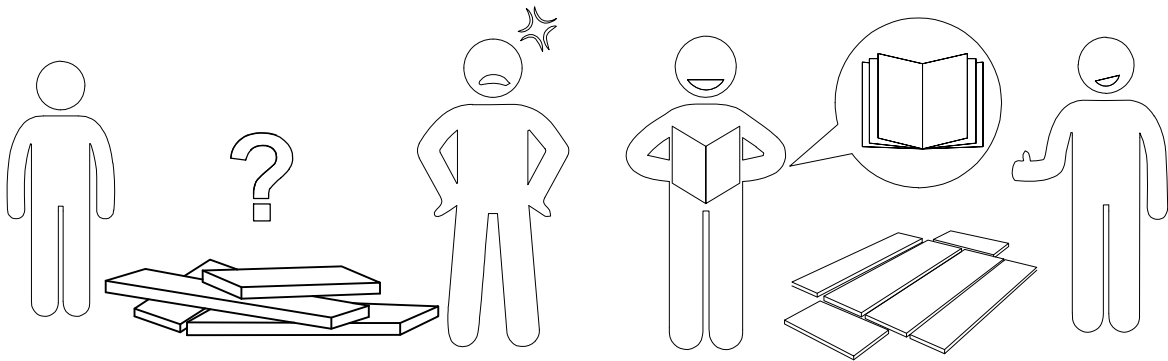
HOGA-ZF00010-YN

Note: If you can't find the assembly video, please contact us.



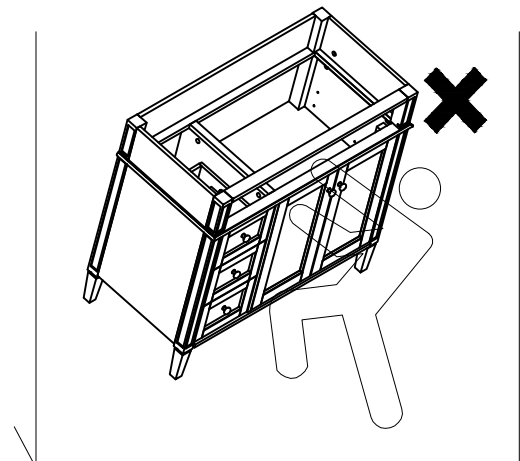
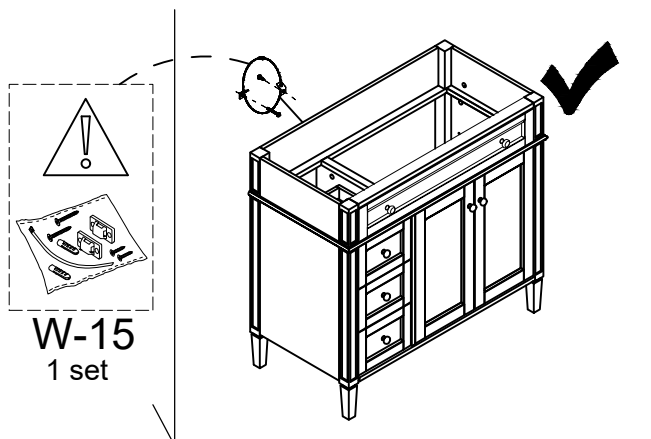
We recommend using hand tools for assembly.

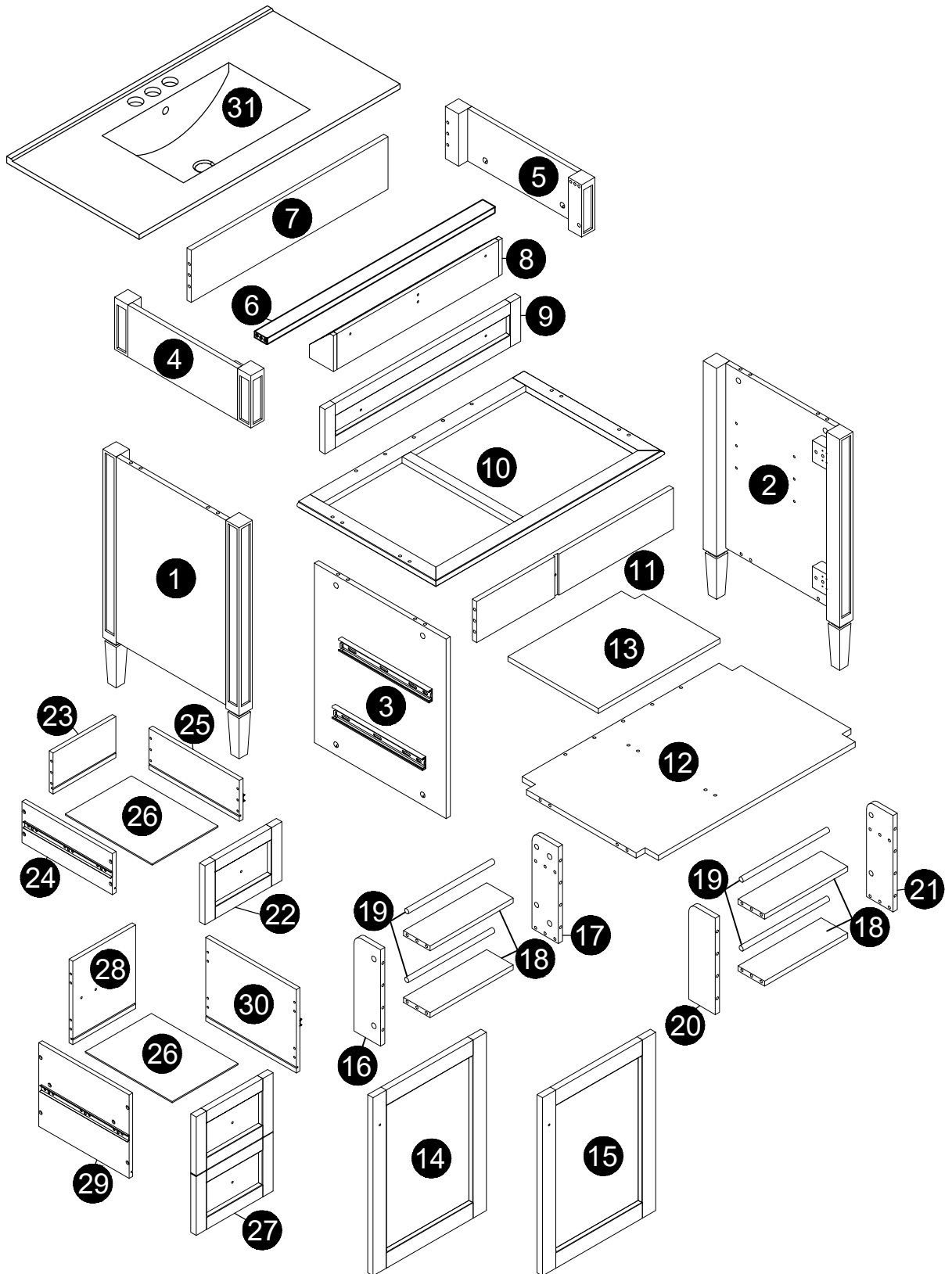
If an electric screwdriver is used, reduce power and torque to avoid damage to the product.



### Install the Anti-Tip Straps

Using the anti-tip straps can reduce the risk of tipping over, but can not eliminate it.



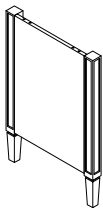
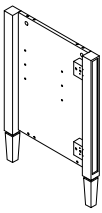
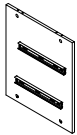
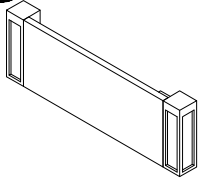
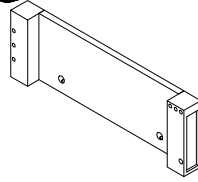
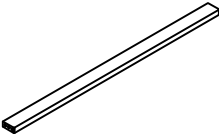
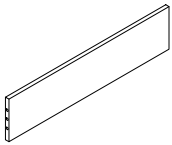
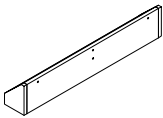
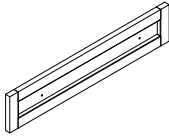
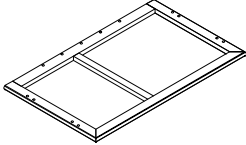
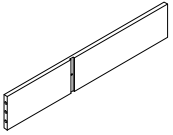
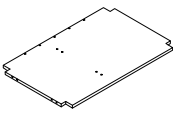
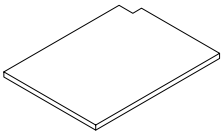
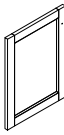
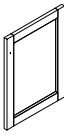

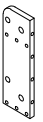
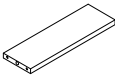



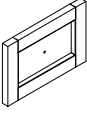
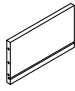
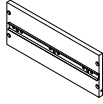
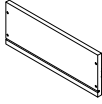


**⚠ Caution**

Make sure all parts are included. Most board parts are labeled or stamped on the raw edge. Contact us for a free replacement if you encounter any damaged or missing parts.

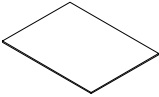
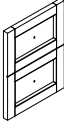
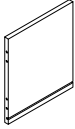
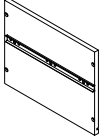
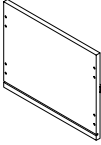
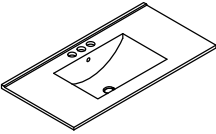


# Parts List

 1 pc	 1 pc	 1 pc	 1 pc	 1 pc
 1 pc	 1 pc	 1 pc	 1 pc	 1 pc
 1 pc	 1 pc	 1 pc	 1 pc	 1 pc
 1 pc	 1 pc	 4 pcs	 4 pcs	 1 pc
 1 pc	 1 pc	 1 pc	 1 pc	 1 pc

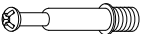



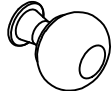
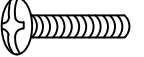



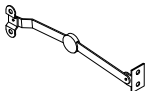
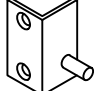

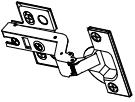
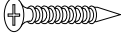
# Parts List


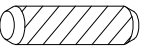
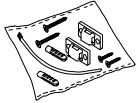

<p><b>26</b></p>  <p>2 pcs</p>	<p><b>27</b></p>  <p>1 pc</p>	<p><b>28</b></p>  <p>1 pc</p>	<p><b>29</b></p>  <p>1 pc</p>	<p><b>30</b></p>  <p>1 pc</p>
<p><b>31</b></p>  <p>1 pc</p>				



## Hardware List

W-1	W-2	W-3	W-4	W-5	W-6
					
Ø6x35mm	Ø14.5x12mm	Ø8xØ4x25mm	Ø8xØ4x32mm	Ø25x25mm	Ø5/32"x25mm
48 pcs	48 pcs	4 pcs	16 pcs	7 pcs	2 pcs

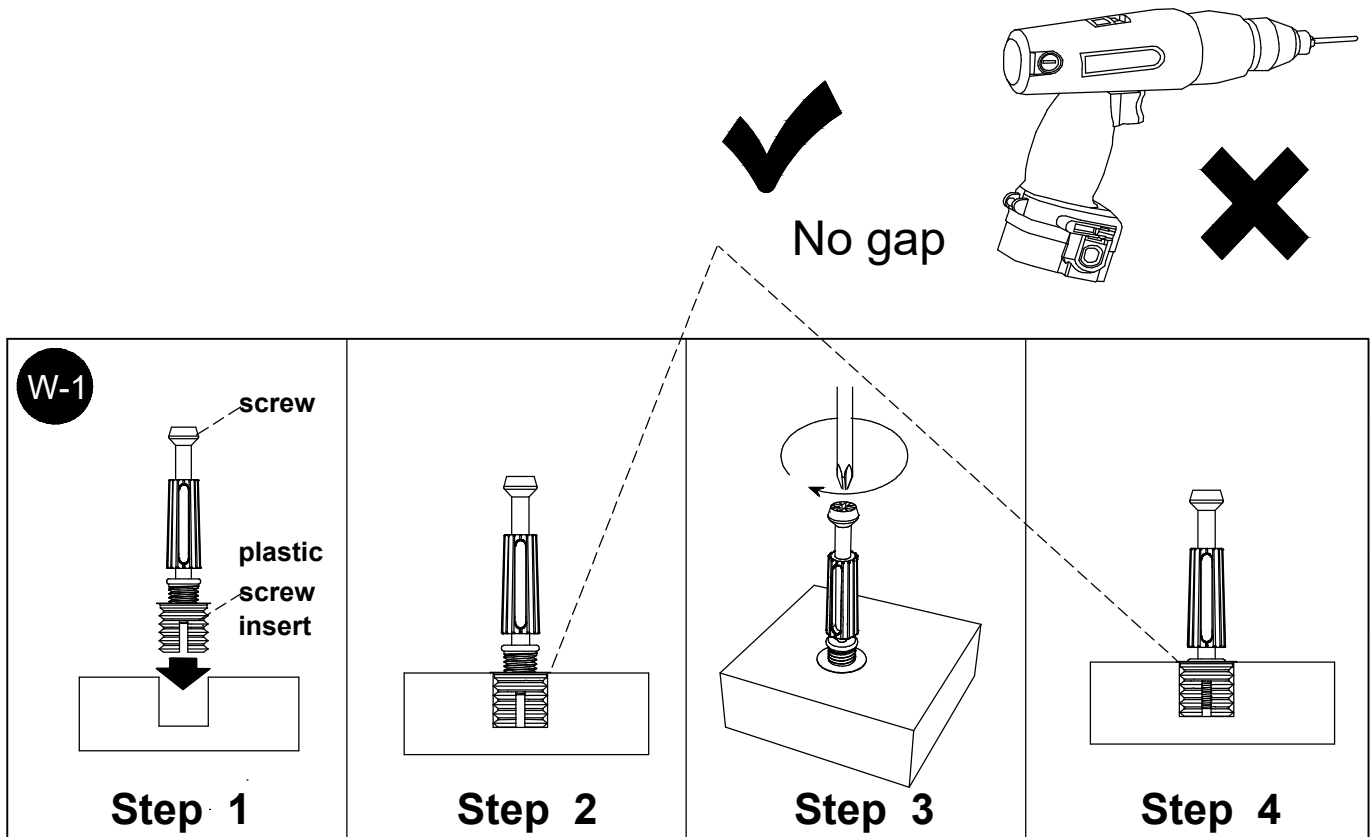
W-7	W-8	W-9	W-10	W-11	W-12
					
Ø5/32"x28mm			Ø6xØ3x12mm		Ø7xØ3.5x12mm
5 pcs	1 pc	2 pcs	8 pcs	4 pcs	24 pcs

W-13	W-14	W-15	W-16
			
Ø6.2x31x19x16mm	Ø8x30mm		Ø6x30mm
4 pcs	52 pcs	1 set	12 pcs

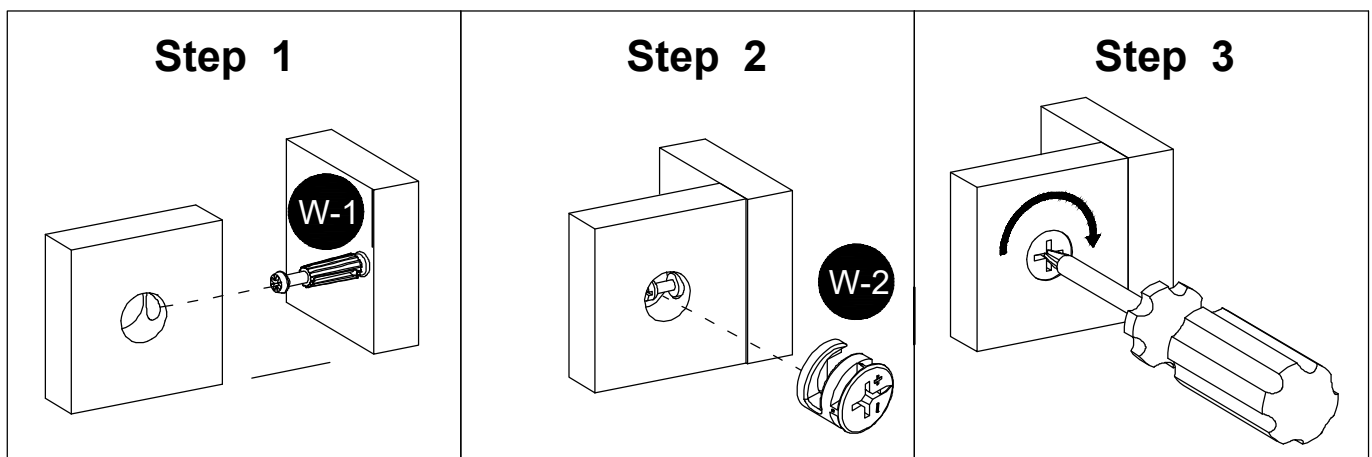


## Installation of Cams and Pins

Step 1-2: Align the plastic part with the mounting hole and press it in. If you can't press it in, loosen the screw counter clockwise or completely remove the screw from the plastic part and try again.  
Step 3-4: After pressing the plastic part into place, use a screwdriver to tighten the screw clockwise.



Screw the pin into the hole. Set the cams correctly by aligning the head of the cams with the lock pins. Lock the cam by turning the cam head with a screwdriver until it is tightened. Please do not use an electric screwdriver to assemble the unit.

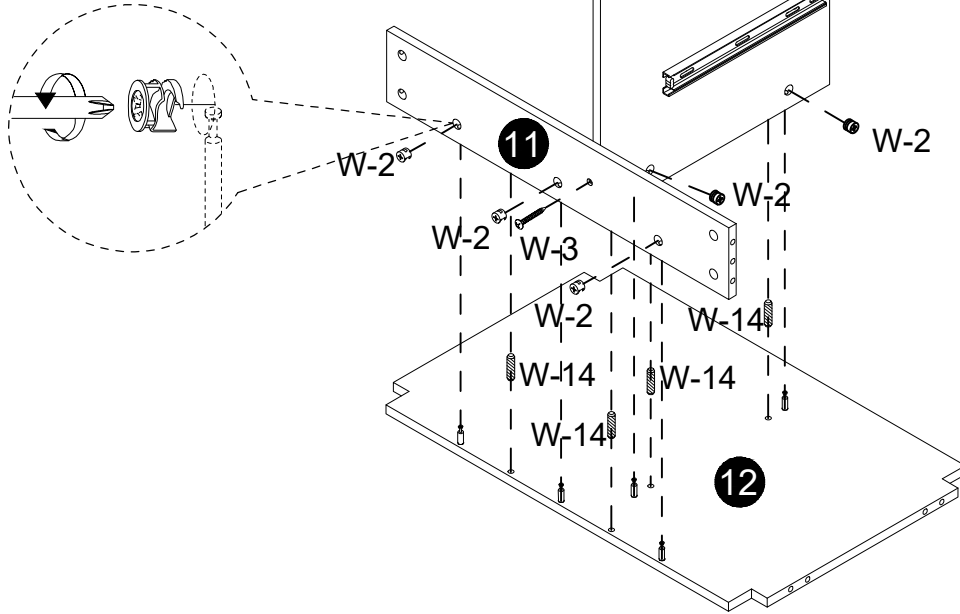






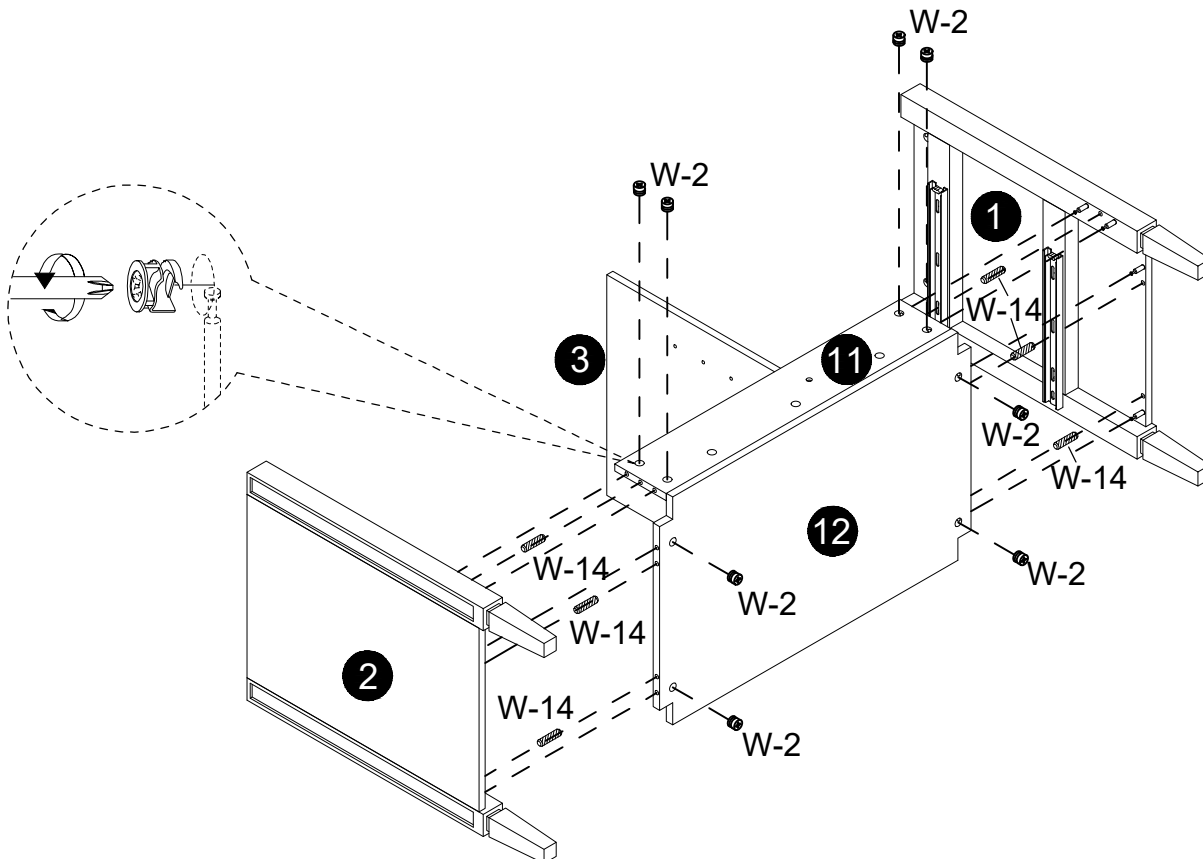
2

W-2	W-3	W-14
Ø14.5x12mm	Ø8xØ4x25mm	Ø8x30mm
5PCS	1PC	4PCS




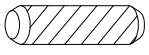
3

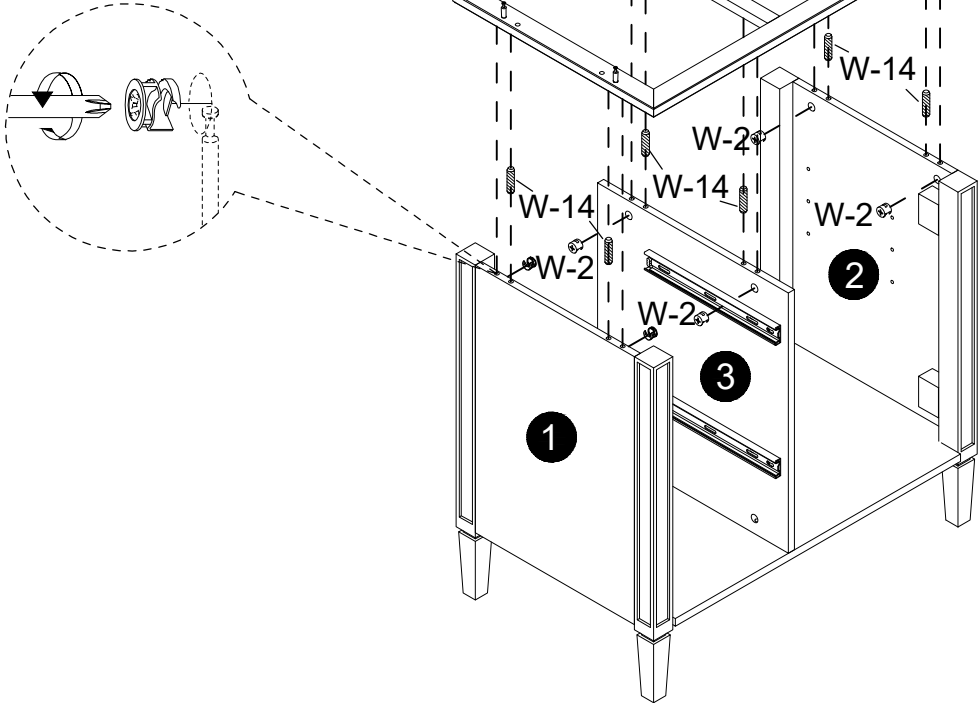
W-2	W-14
Ø14.5x12mm	Ø8x30mm
8PCS	6PCS




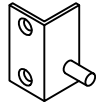



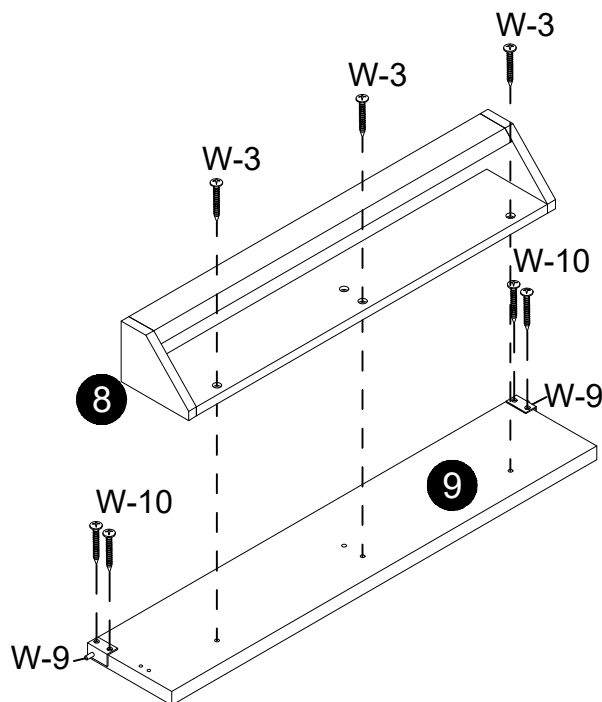
**4**

W-2	W-14
	
Ø14.5x12mm	Ø8x30mm
<b>6PCS</b>	<b>6PCS</b>



**5**

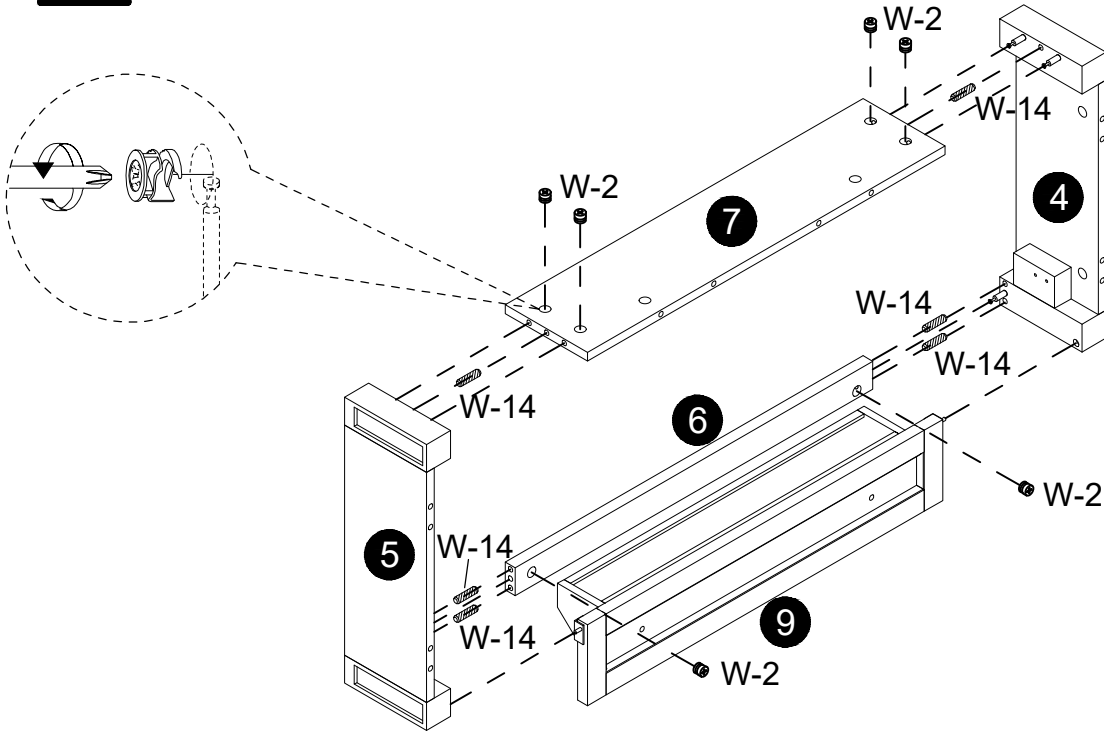
W-3	W-9	W-10
		
Ø8xØ4x25mm		Ø6xØ3x12mm
<b>3PCS</b>	<b>2PCS</b>	<b>4PCS</b>





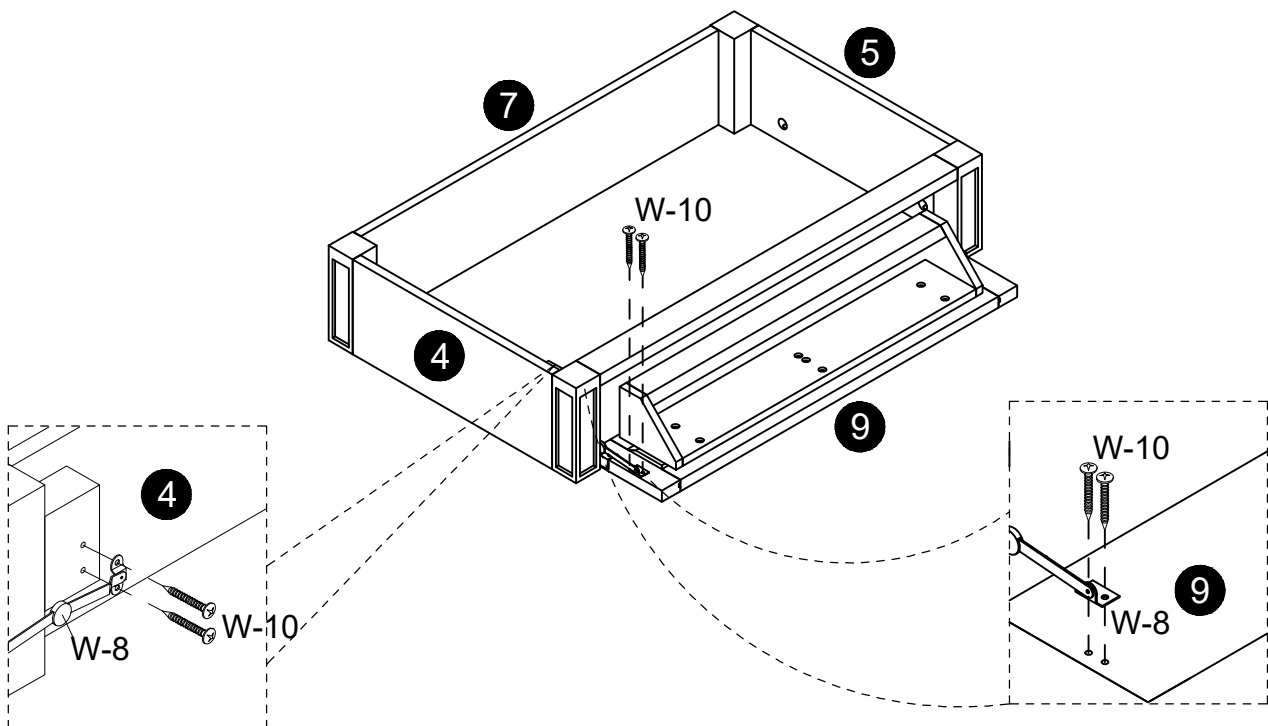
**6**

W-2	W-14
Ø14.5x12mm	Ø8x30mm
<b>6PCS</b>	<b>6PCS</b>




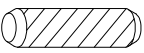
**7**

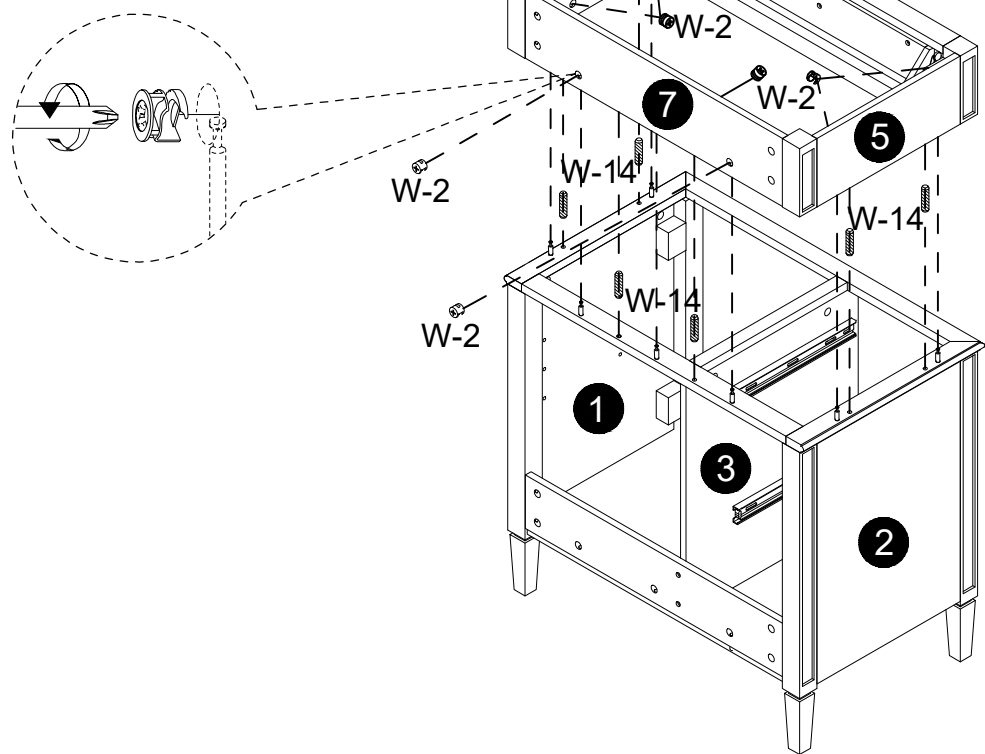
W-8	W-10
1PC	Ø6xØ3x12mm
<b>1PC</b>	<b>4PCS</b>




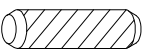


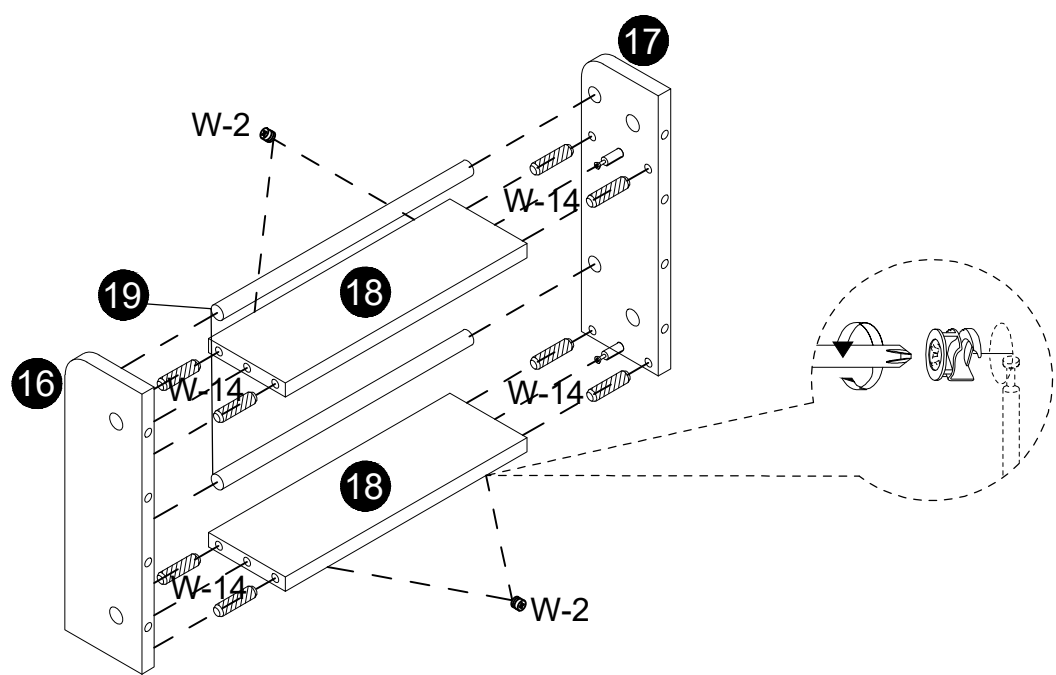
**8**

W-2	W-14
	
Ø14.5x12mm	Ø8x30mm
<b>7PCS</b>	<b>6PCS</b>



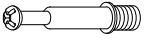
**9**

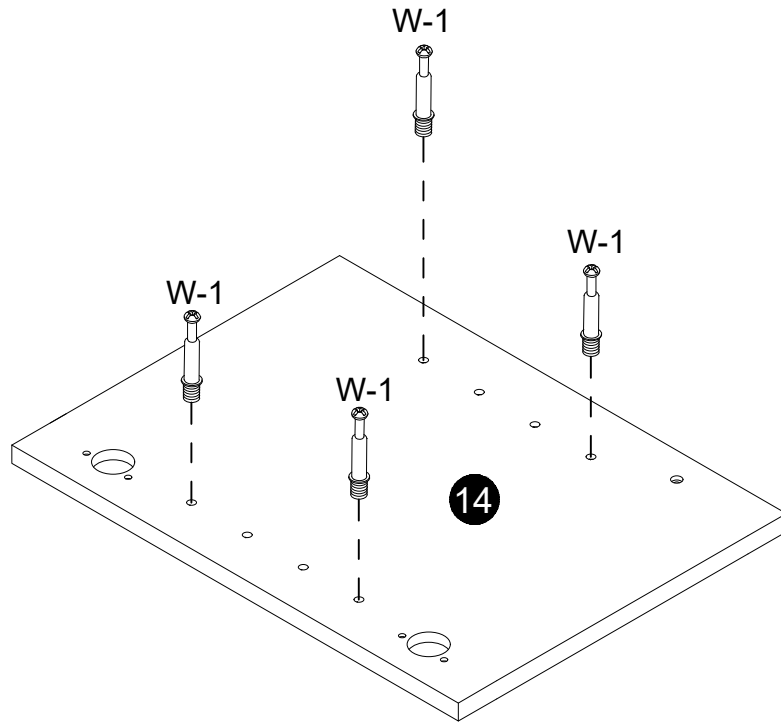
W-2	W-14
	
Ø14.5x12mm	Ø8x30mm
<b>4PCS</b>	<b>8PCS</b>







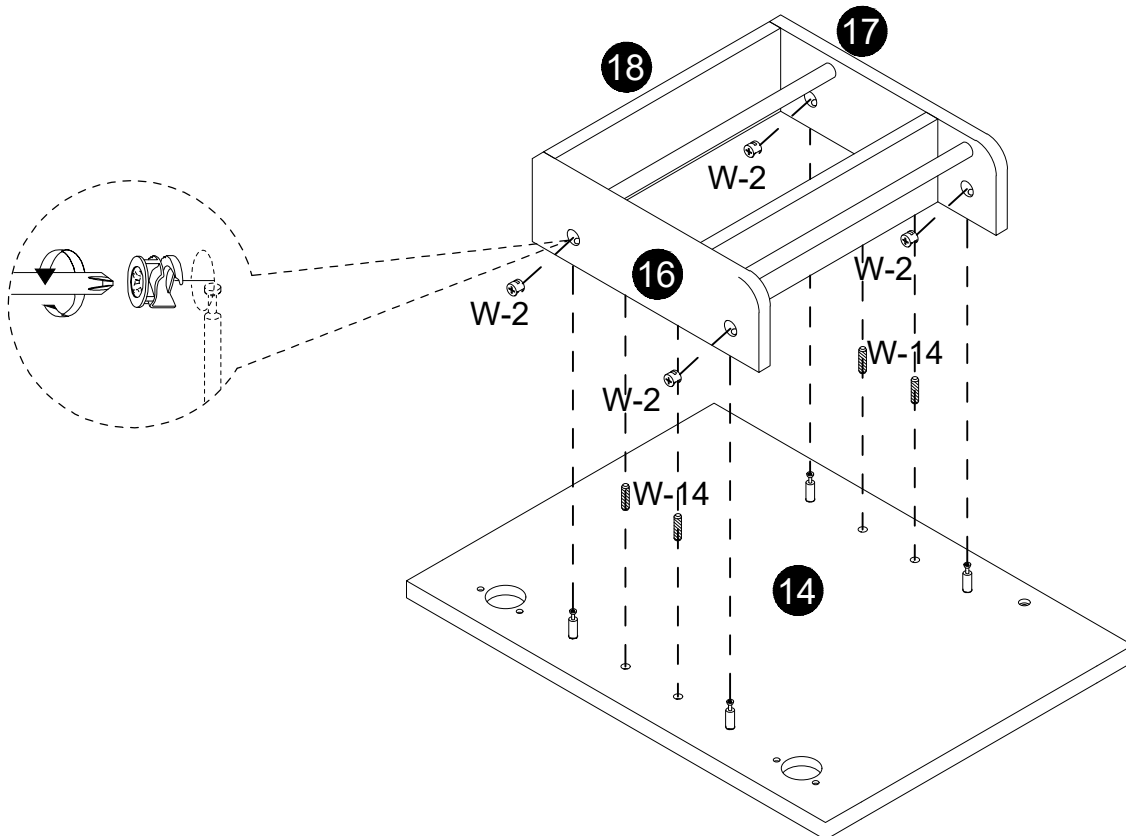
**10**

W-1

Ø6x35mm
<b>4PCS</b>



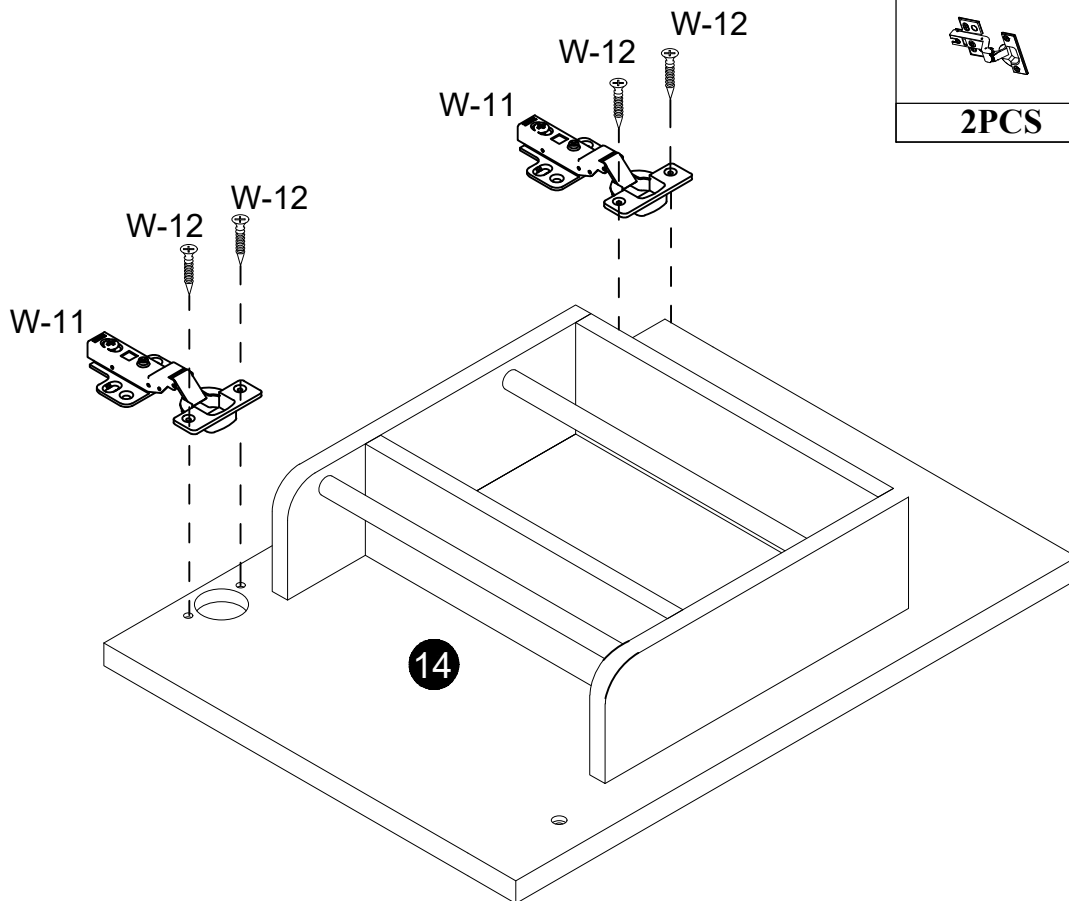
**11**

W-2	W-14
	
Ø14.5x12mm	Ø8x30mm
<b>4PCS</b>	<b>4PCS</b>



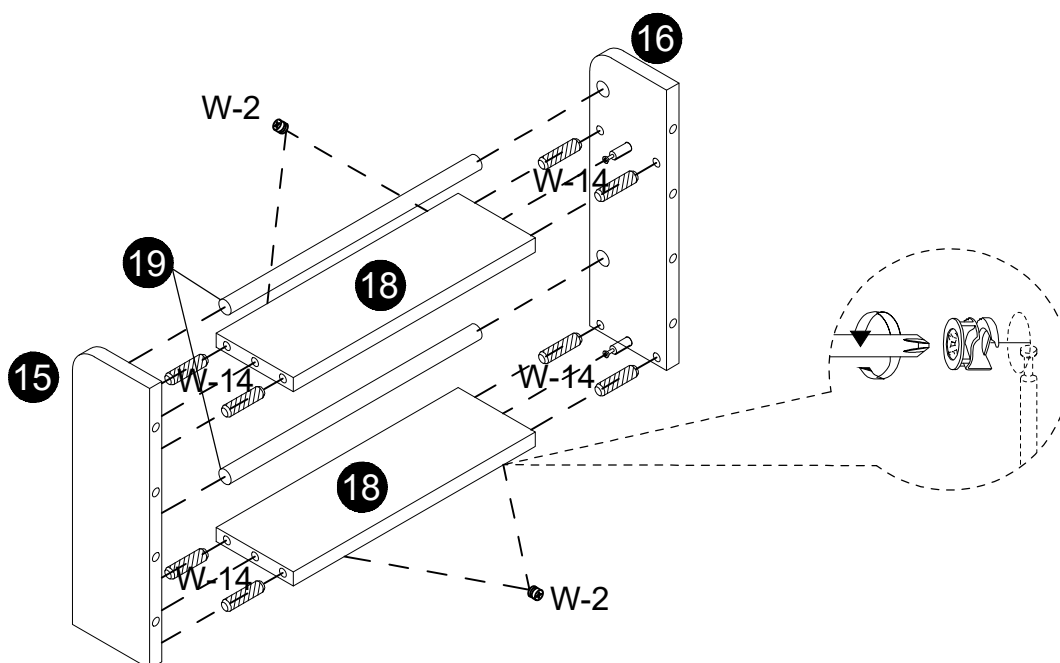


12



W-11	W-12
2PCS	Ø7xØ3.5x12mm 4PCS


13

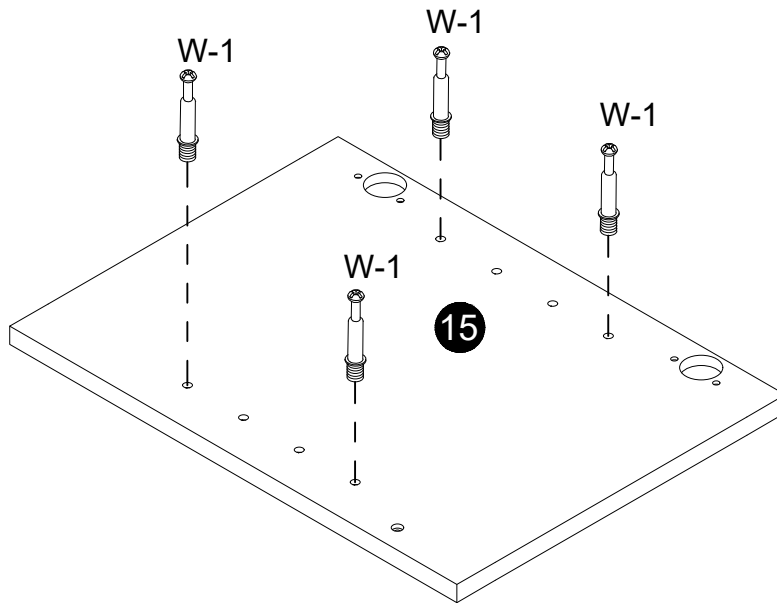


W-2	W-14
Ø14.5x12mm 4PCS	Ø8x30mm 8PCS


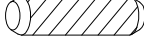


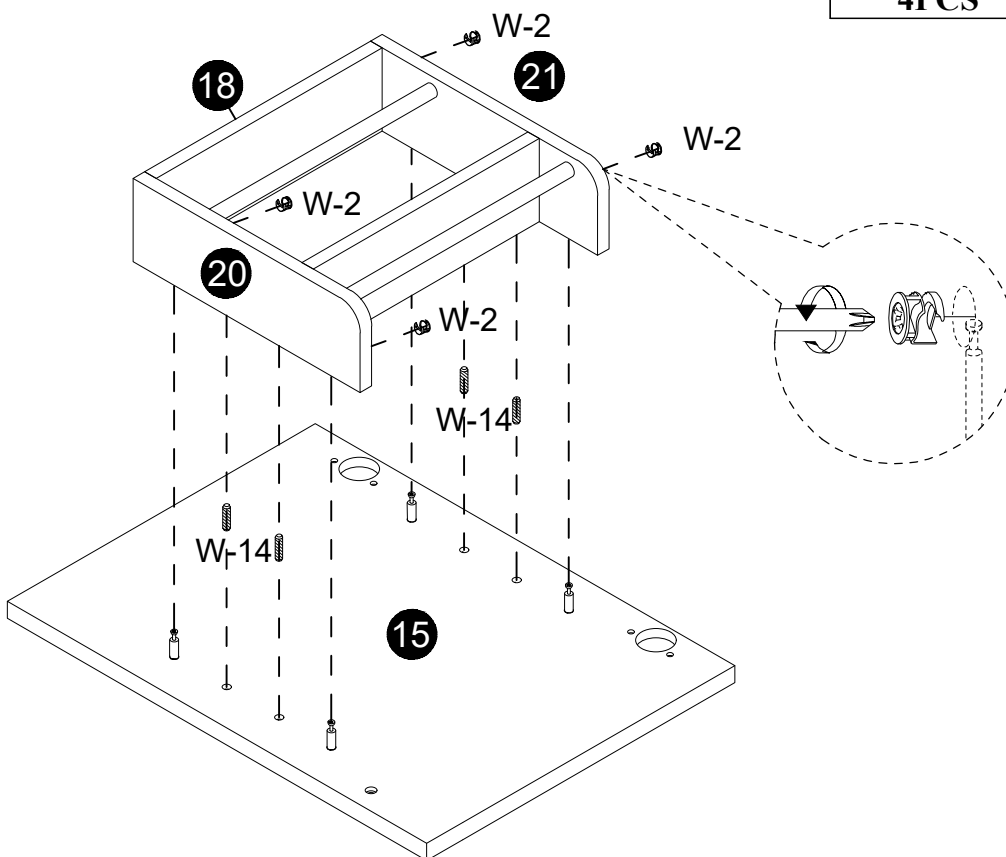
**14**

W-1

Ø6x35mm
4PCS



**15**

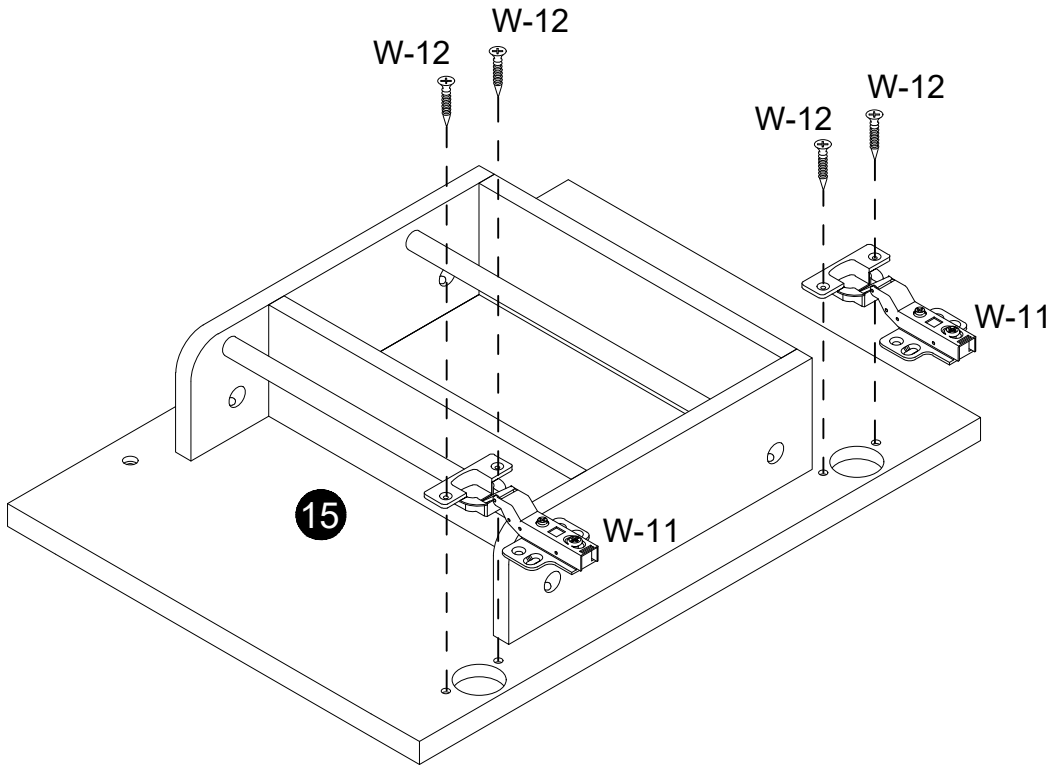
W-2	W-14
	
Ø14.5x12mm	Ø8x30mm
4PCS	4PCS





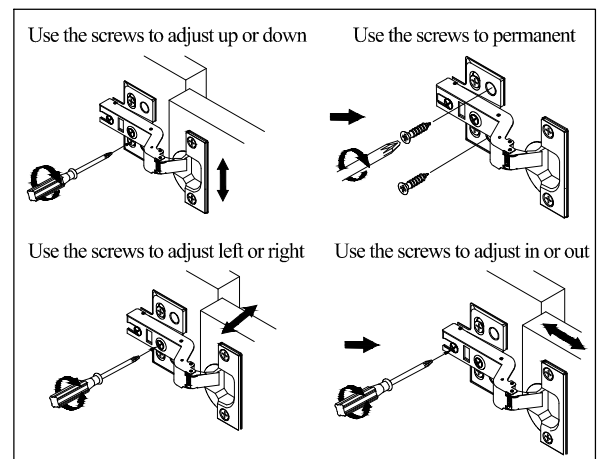
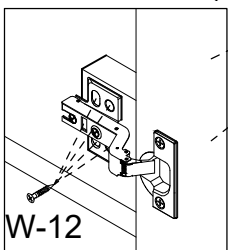
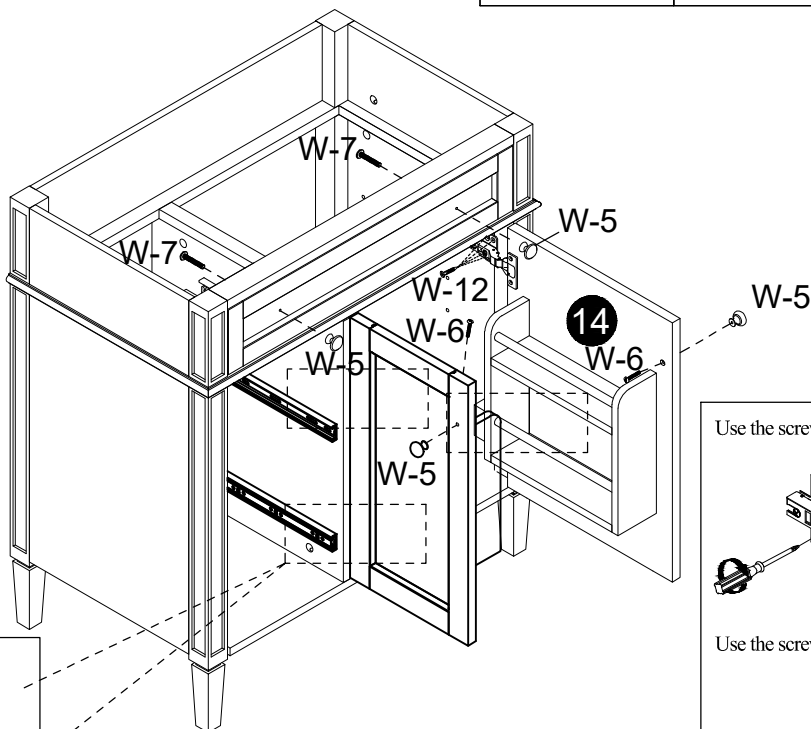
**16**

W-11	W-12
	 Ø7xØ3.5x12mm
<b>2PCS</b>	<b>4PCS</b>



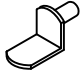
**17**

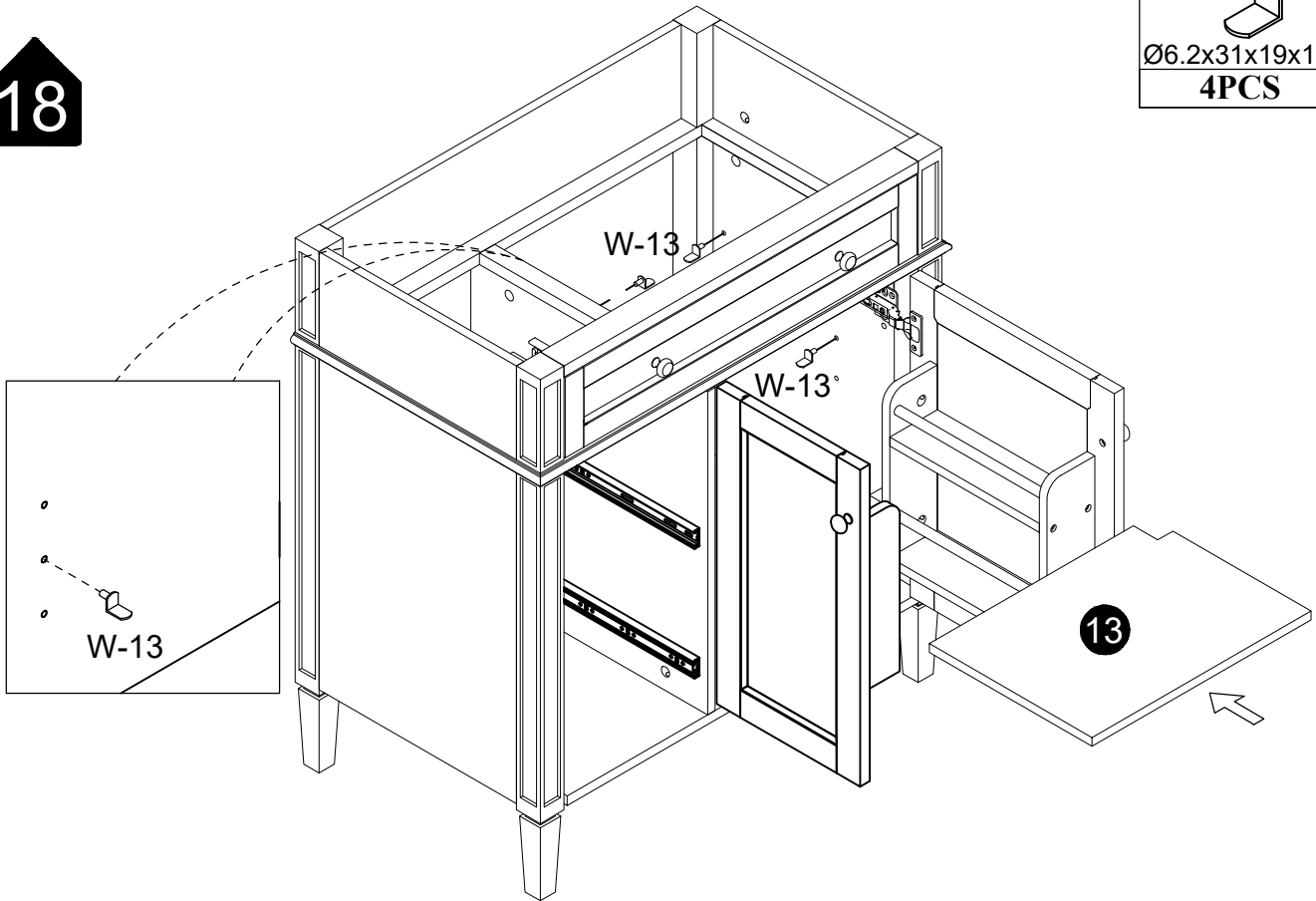
W-5	W-6	W-7	W-12
 Ø25x25mm	 Ø5/32"x25mm	 Ø5/32"x28mm	 Ø7xØ3.5x12mm
<b>4PCS</b>	<b>2PCS</b>	<b>2PCS</b>	<b>16PCS</b>







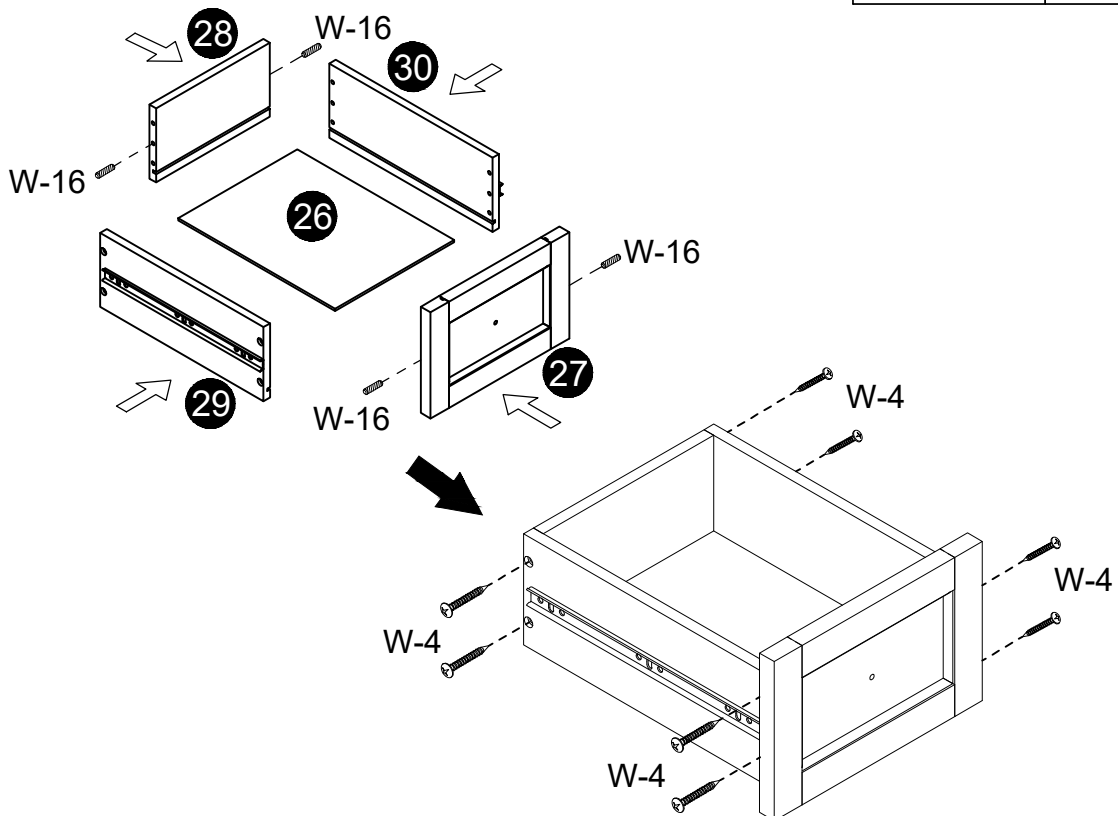
**18**

W-13

Ø6.2x31x19x16mm
<b>4PCS</b>




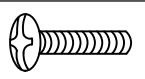
**19**

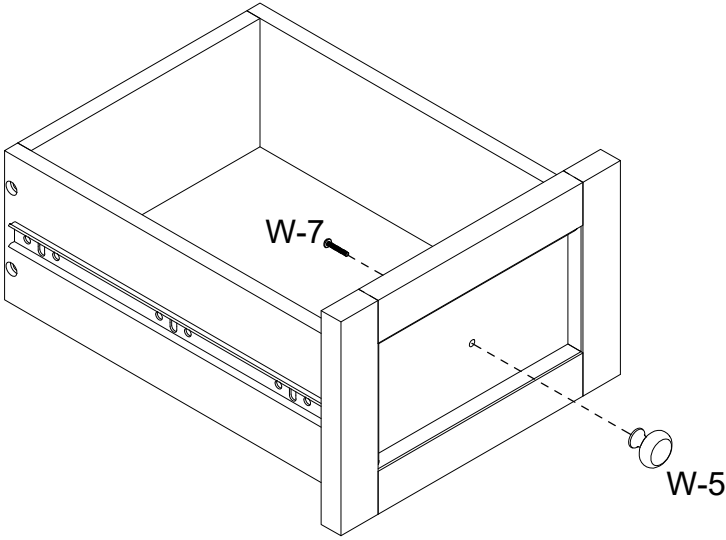
W-4	W-16
	
Ø8xØ4x32mm	Ø6x30mm
<b>8PCS</b>	<b>4PCS</b>







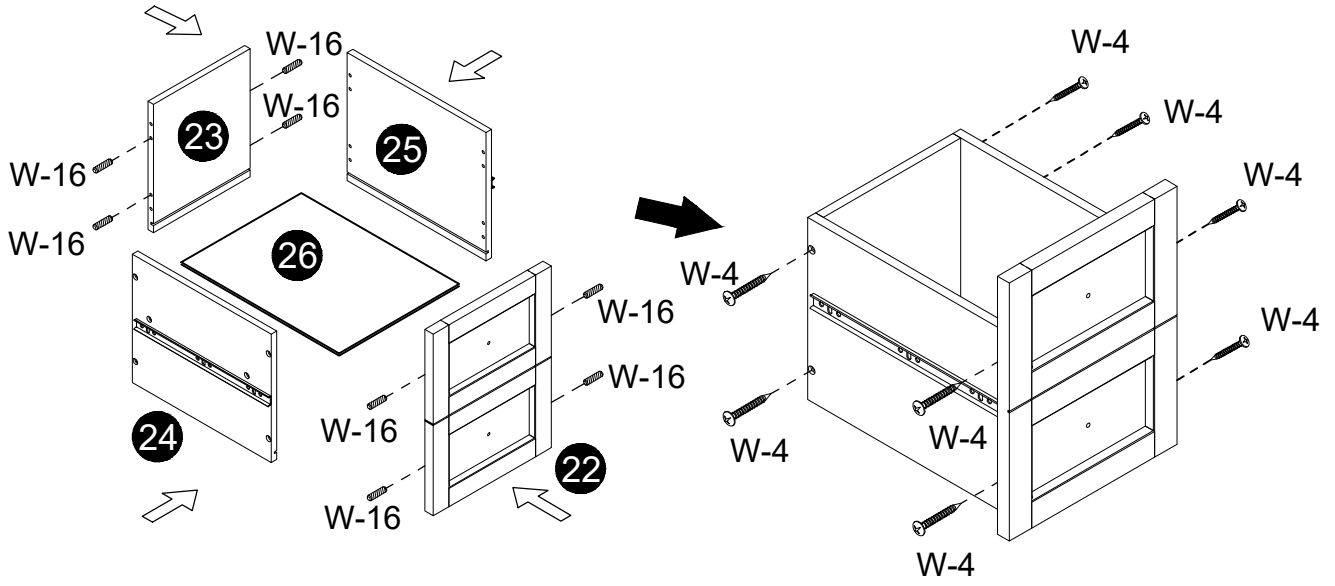
**20**

W-5	W-7
 Ø25x25mm	 Ø5/32"x28mm
<b>1PC</b>	<b>1PC</b>



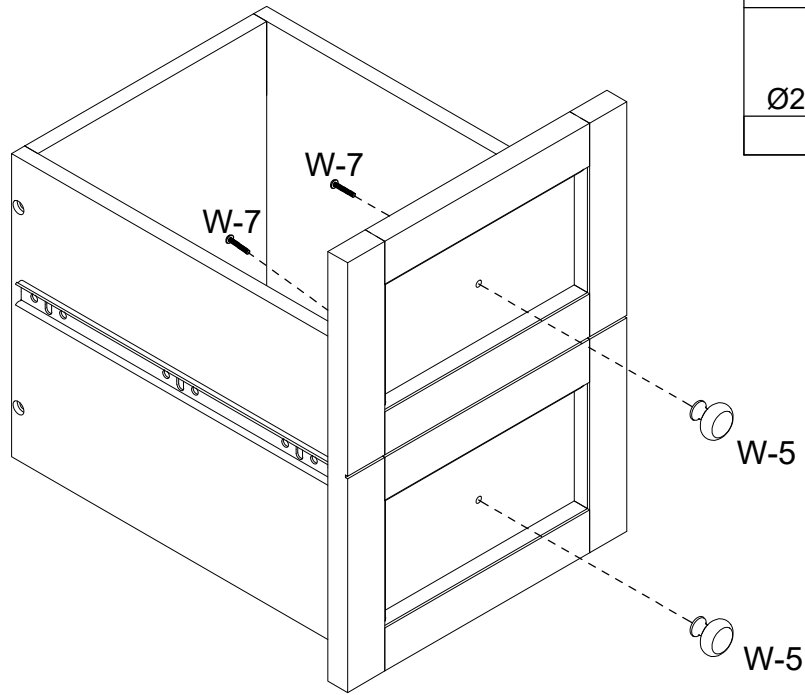
**21**

W-4	W-16
 Ø8xØ4x32mm	 Ø6x30mm
<b>8PCS</b>	<b>8PCS</b>



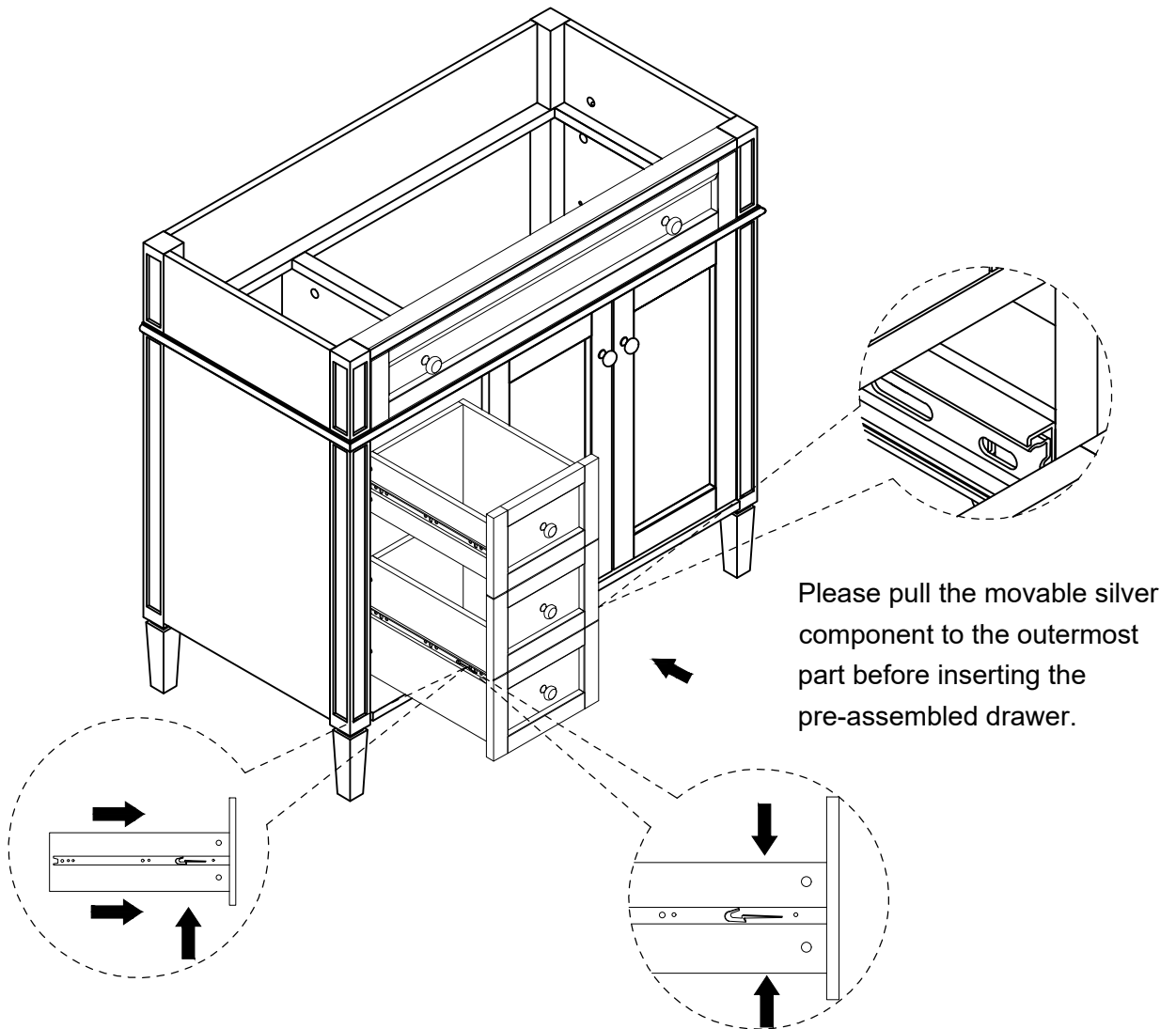


22



W-5	W-7
Ø25x25mm	Ø5/32"x28mm
<b>2PCS</b>	<b>2PCS</b>

23



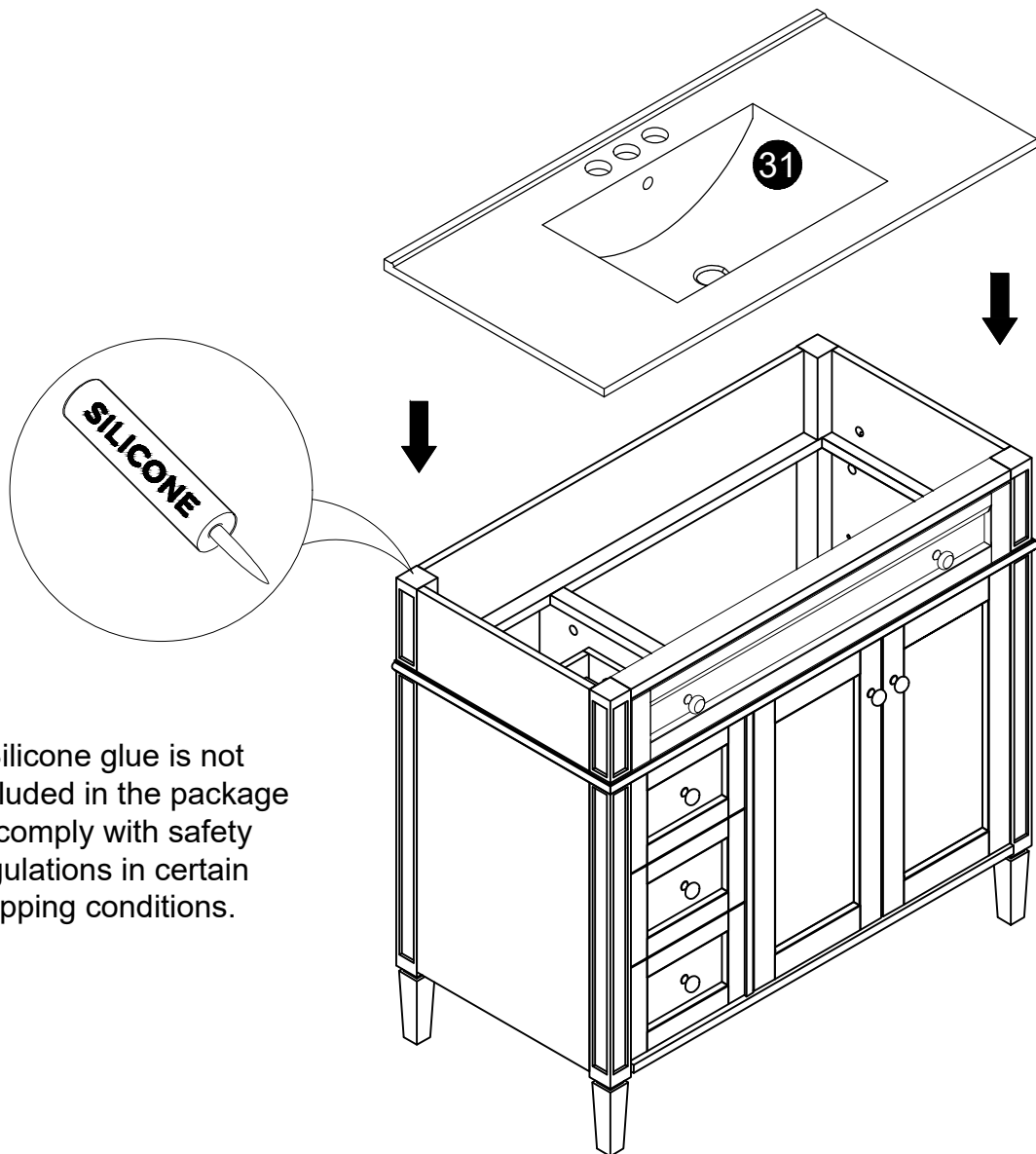
Please pull the movable silver component to the outermost part before inserting the pre-assembled drawer.

To pull out the drawer, find the hook-shaped latch, press down (on both sides of the drawer) and pull the drawer out.

If the drawer doesn't fit perfectly, loosen the slide screws, adjust the slide's position slightly, then tighten it again.

**24**

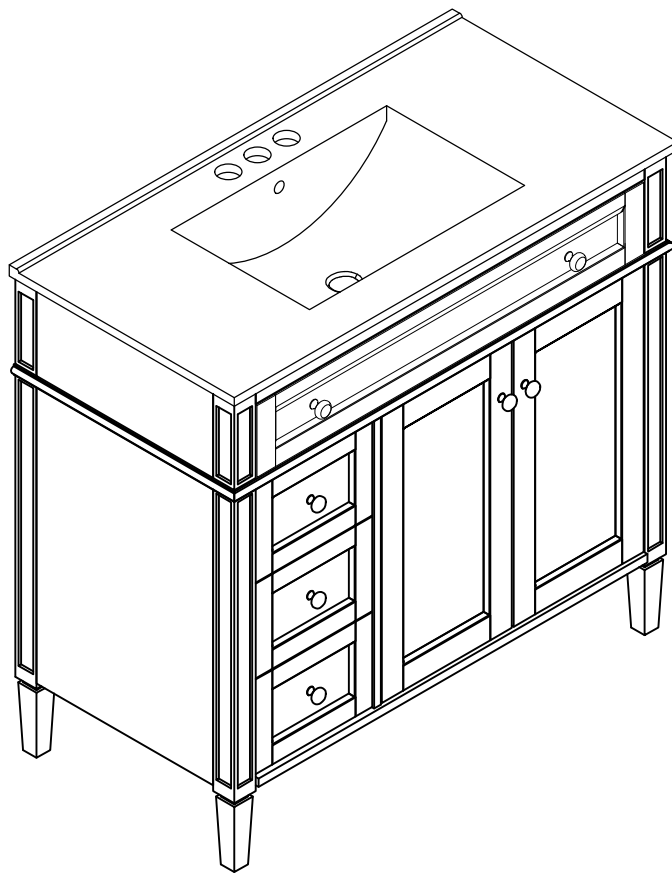
Install the sink on the cabinet with glue.  
Let stand for 24 hours



\*Silicone glue is not included in the package to comply with safety regulations in certain shipping conditions.



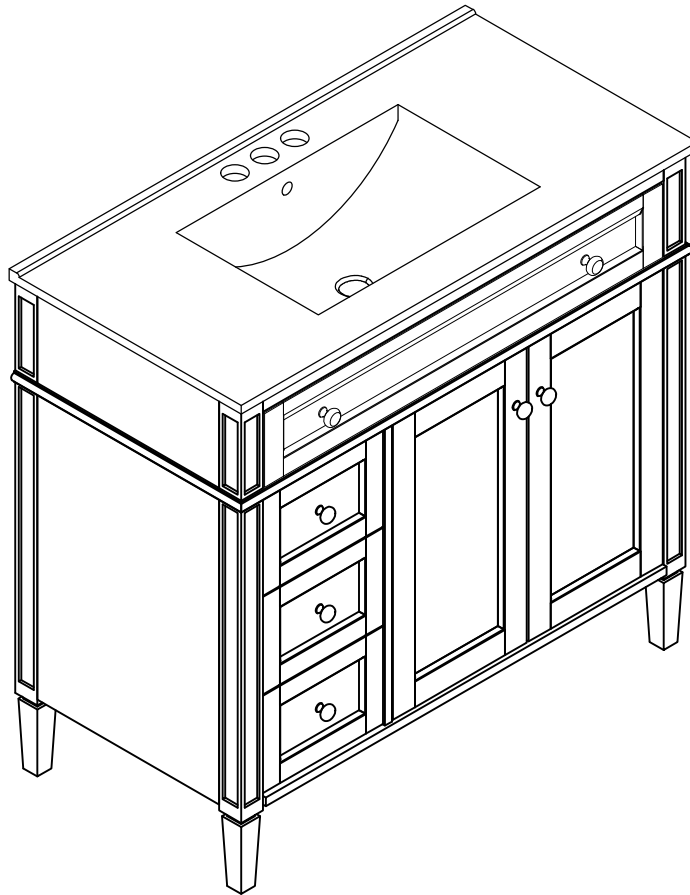
25





DESIGNED FOR LIFE

**Thank you for your support!**



**Contact our customer service team**



support@tribesigns.com  
www.tribesigns.com



1-424-220-6888  
7 AM to 8 PM EST,  
Monday to Friday

**Follow Tribesigns**



Facebook



Instagram



Pinterest



Twitter



YouTube



TikTok



WhatsApp