

# ASSEMBLY INSTRUCTION

MODEL NUMBER: 2-86Q. K

## NOTES:

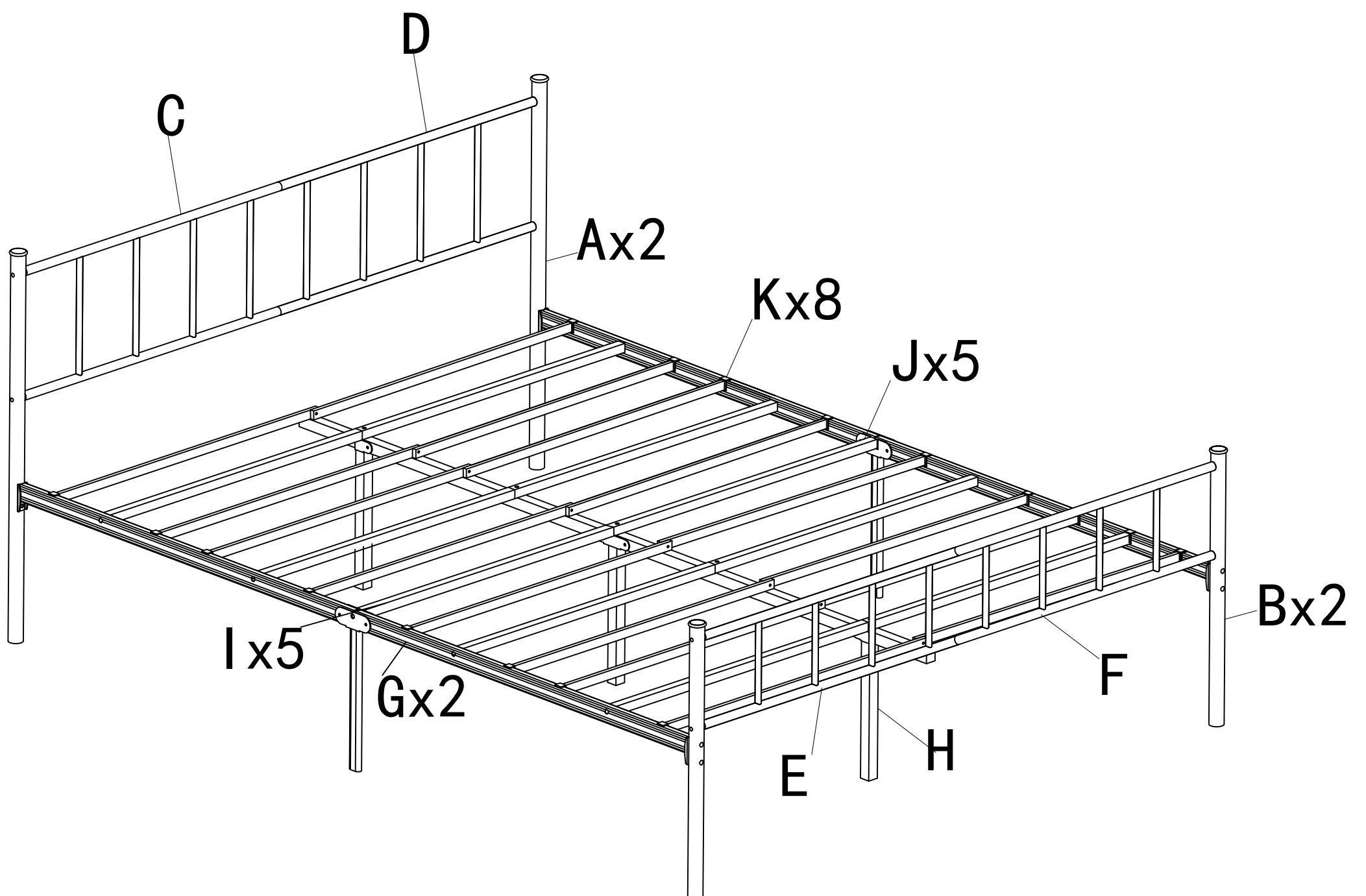
- Do not skip any step.
- Do not fully tight screws until all the bed parts are assembled.

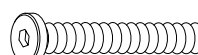
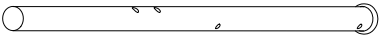
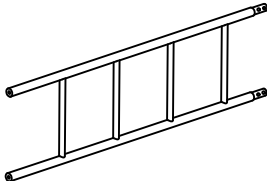
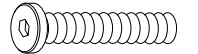
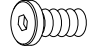

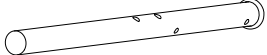
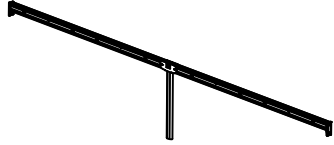

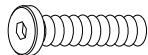
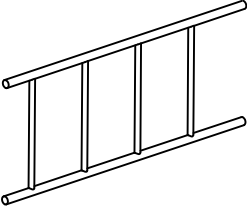
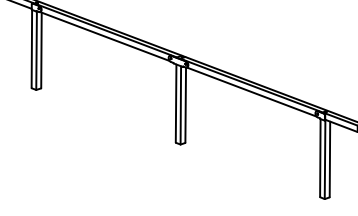
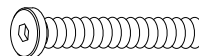
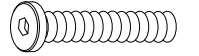
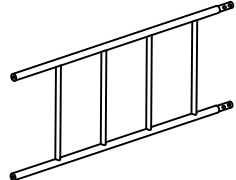
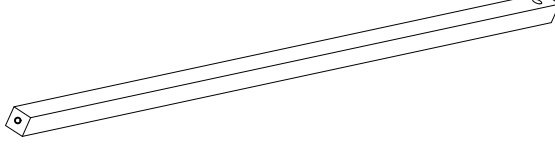
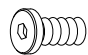

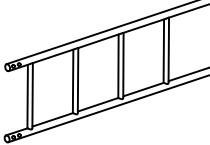
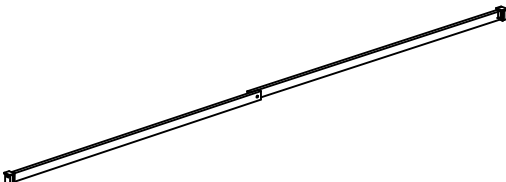
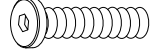

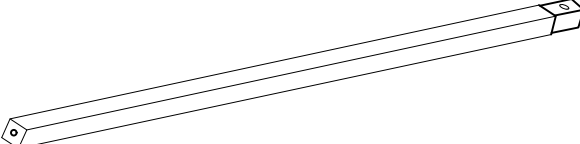
## WARNING:

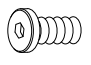
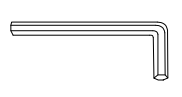
- WARNIND FOR YOUNG CHILDREN-This product contains small components,please ensure that they are kept away from small children while assembling.

## Warranty Information:

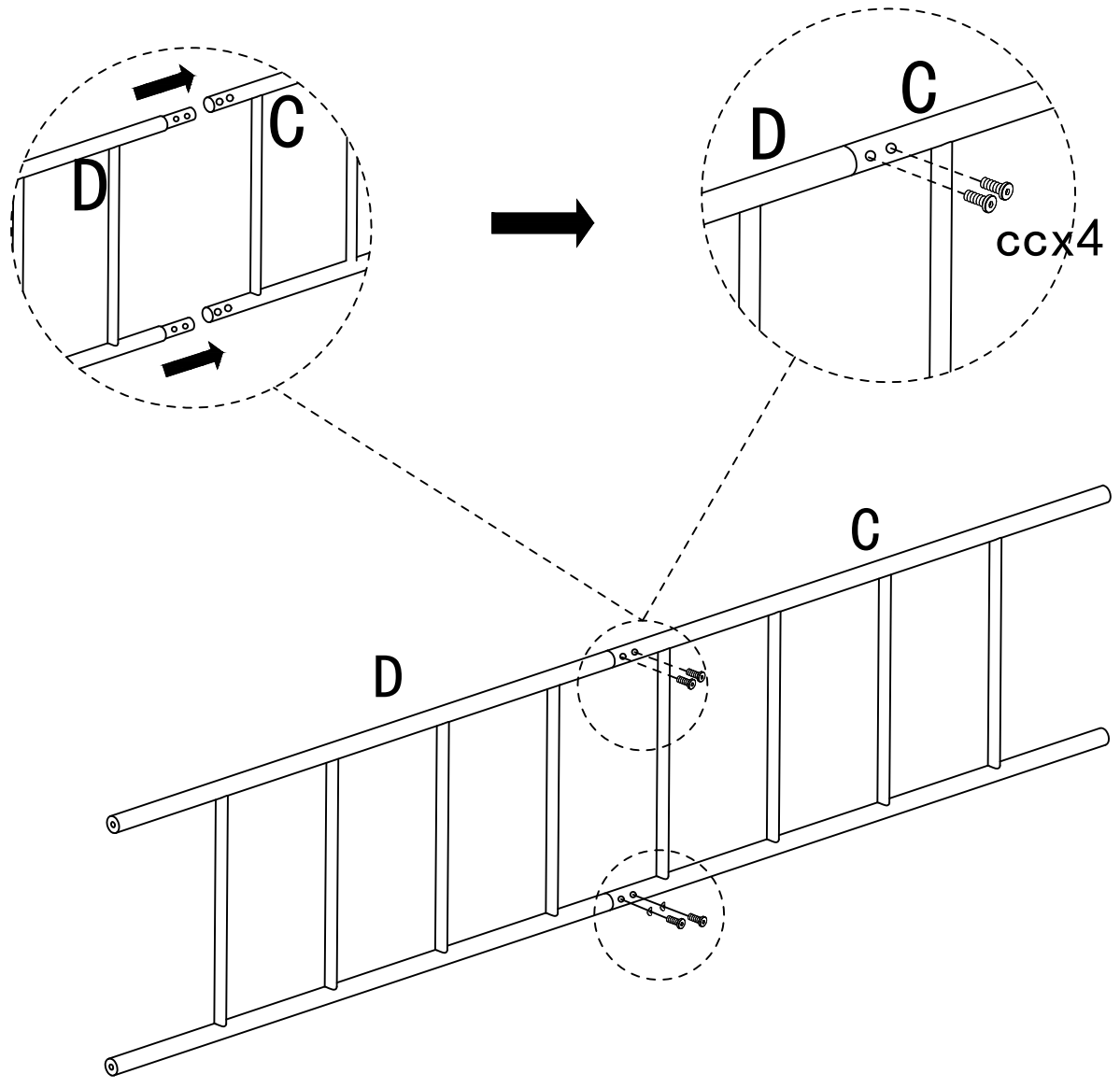
- We warran ty th is product to be free from defects in materials.If u have any query about bed , pls contact our after-salesupportemail: [Pakkahome@outlook.com](mailto:Pakkahome@outlook.com)

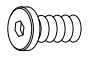



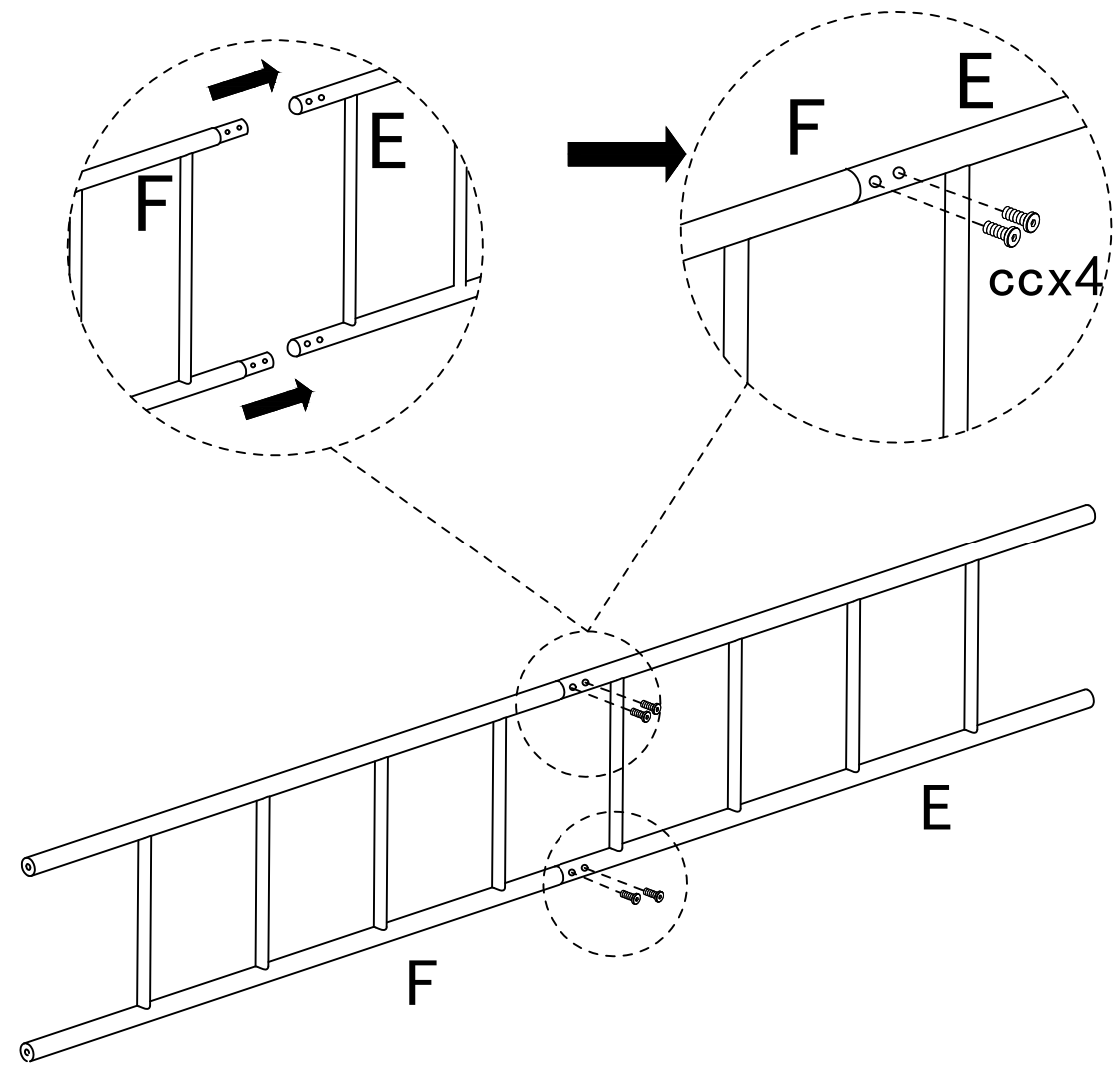
<b>A</b>	<b>F</b>	aa	 M6×55mm	21			
 2PCS	 1PC	bb	 M8×50mm	8			
		cc	 M6×12mm	8			
<b>B</b>	<b>G</b>	dd	 4×4mm	1			
 2PCS	 2PCS	ee		16			
		ff	 M6×30mm	2			
<b>C</b>	<b>H</b>	SPARE					
 1PC	 1PC				aa		2
<b>D</b>	<b>J</b>				bb		1
 1PC	 5PCS				cc		1
<b>E</b>	<b>K</b>				ee		1
 1PC	 8PCS				ff		1
<b>I</b>		gg		2			
 5PCS							

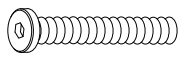

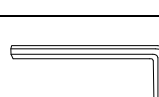
cc		M6×12mm	4
dd		4×4mm	1

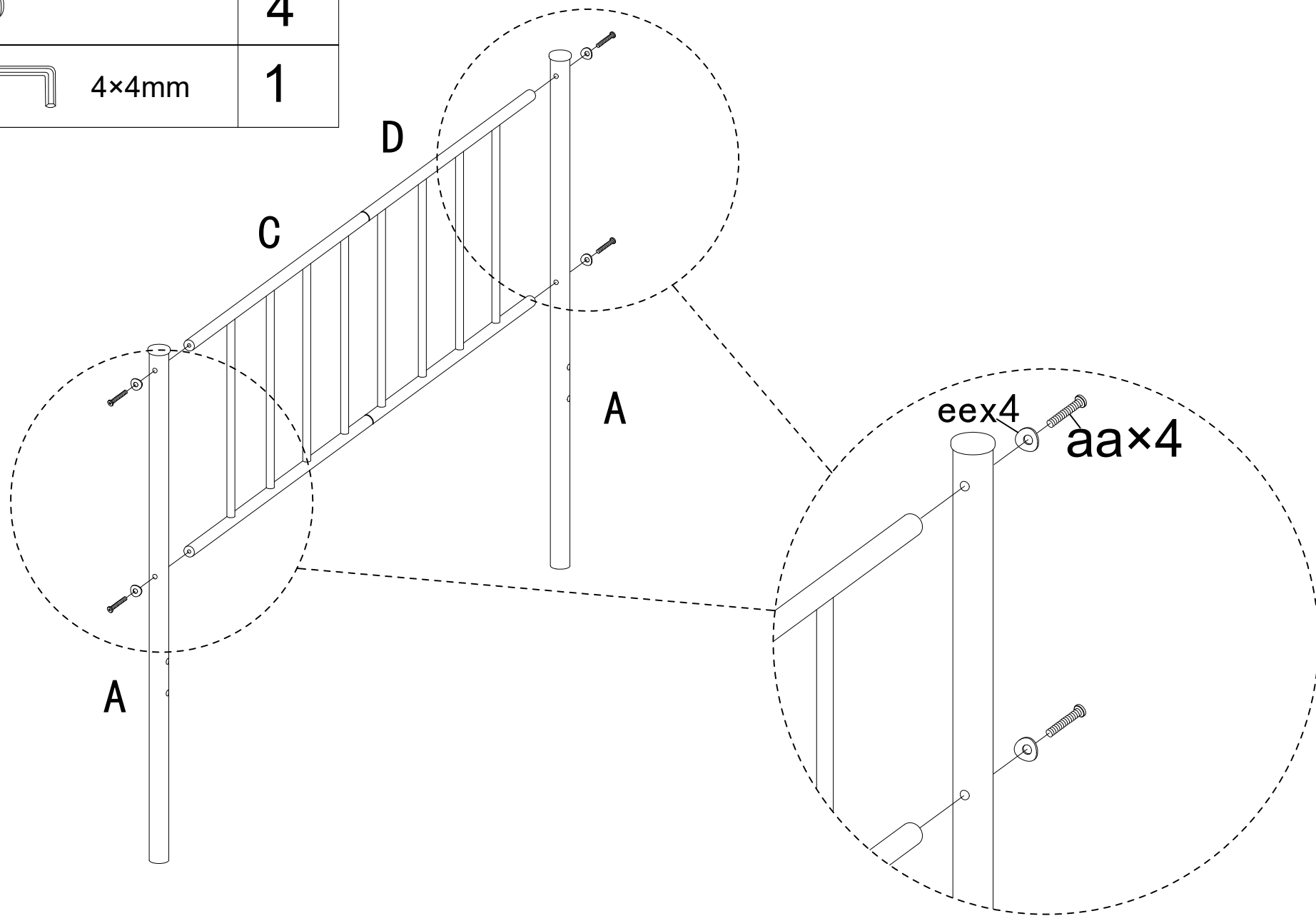
Note: For easy setup intention, do not tighten screws during the installation process

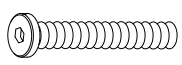

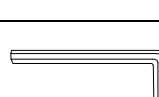


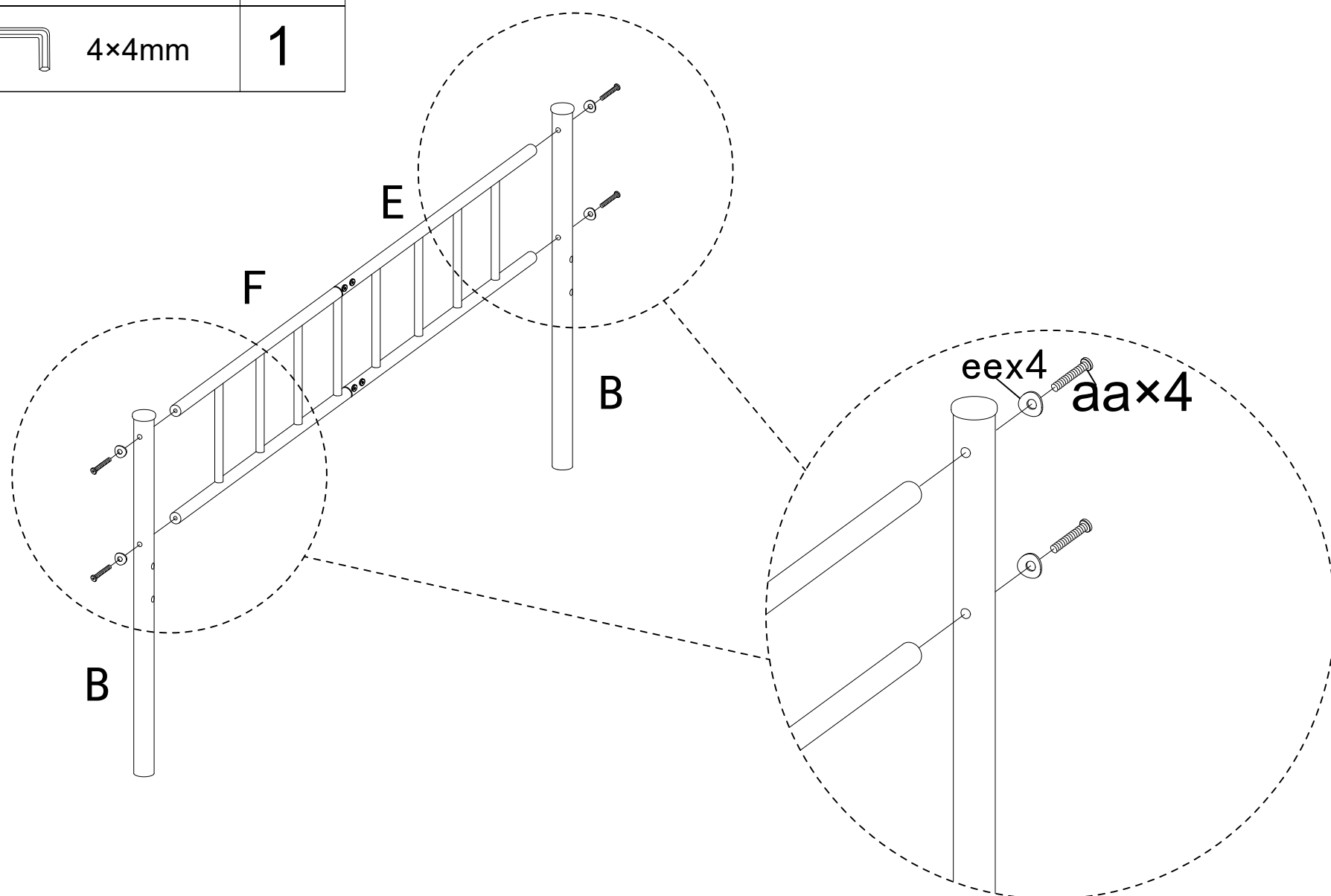
cc		M6×12mm	4
dd		4×4mm	1

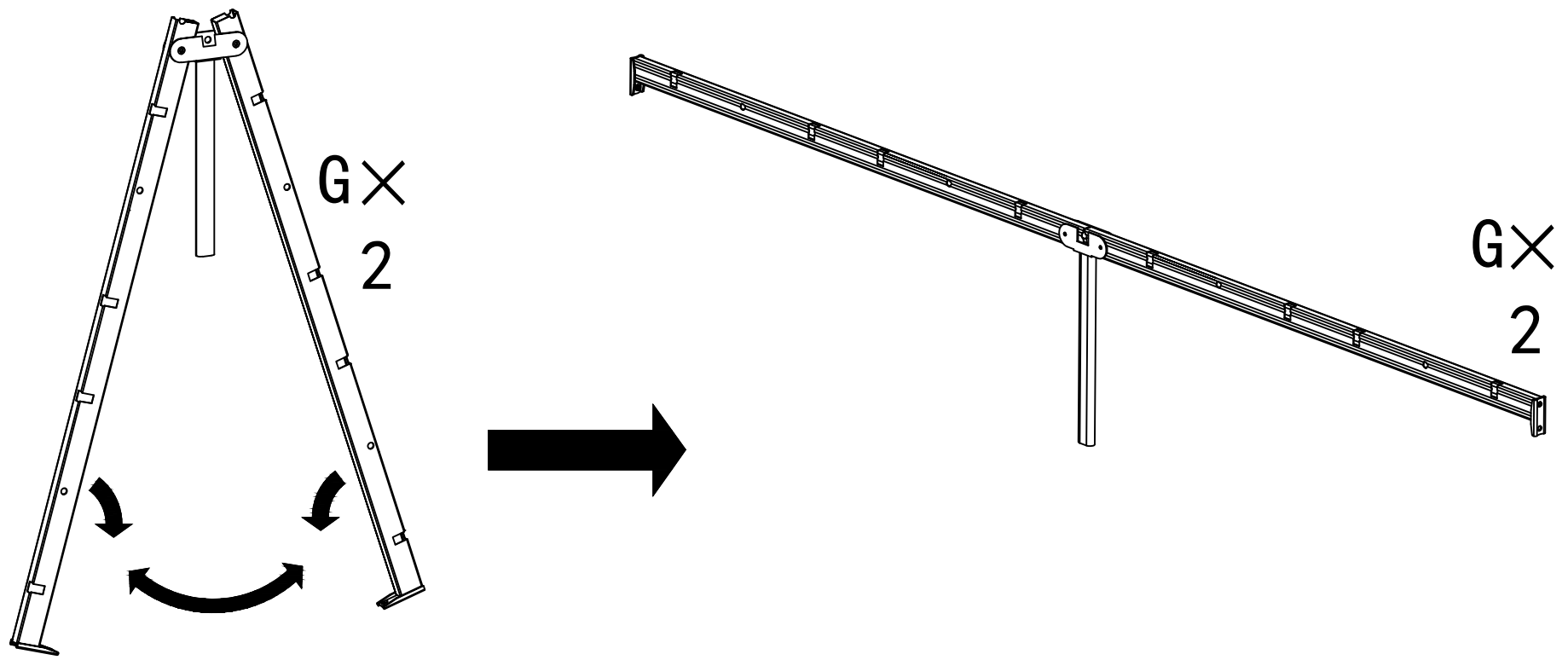


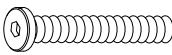

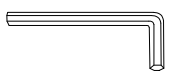
aa	 M6×55mm	4
ee		4
dd	 4×4mm	1

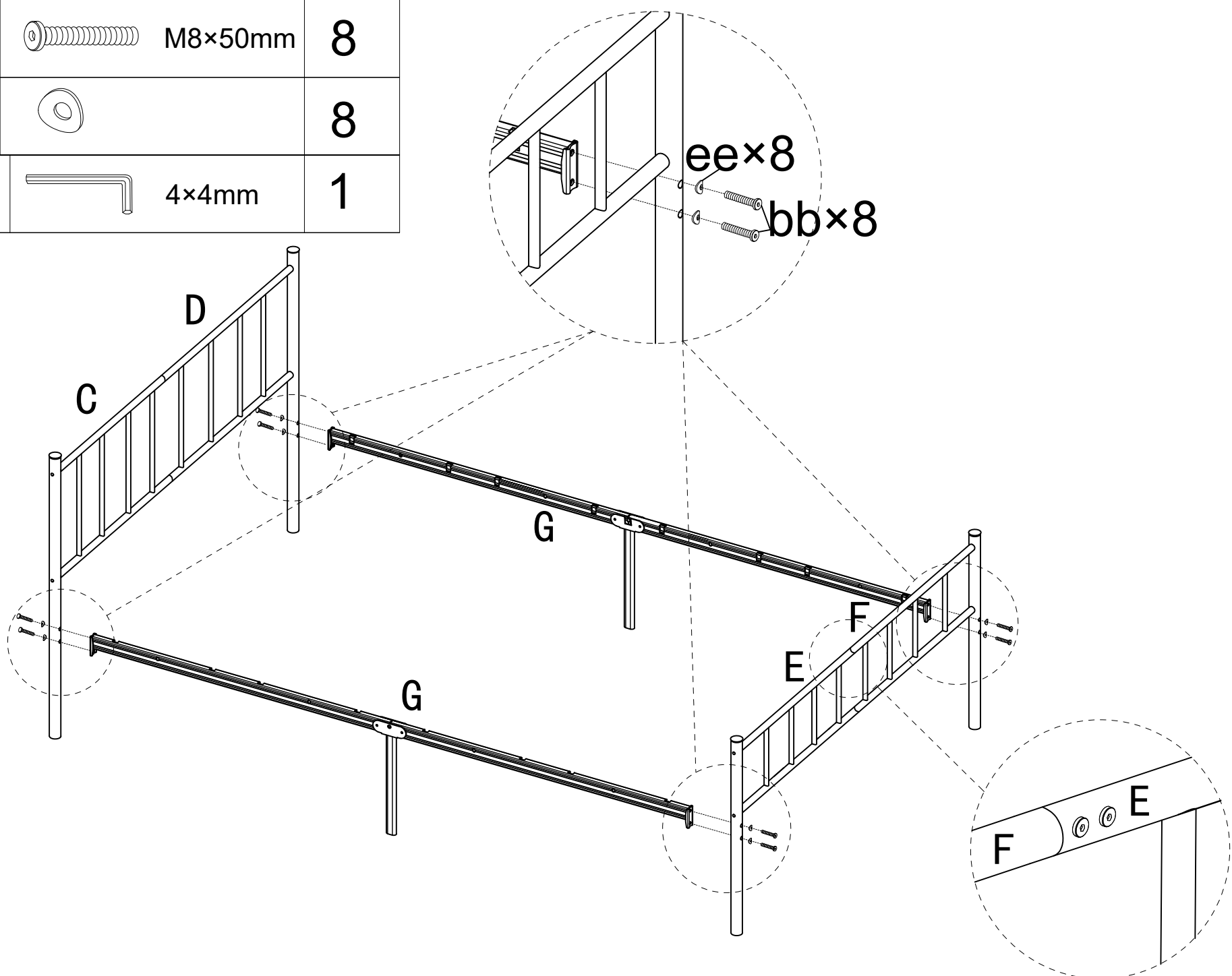


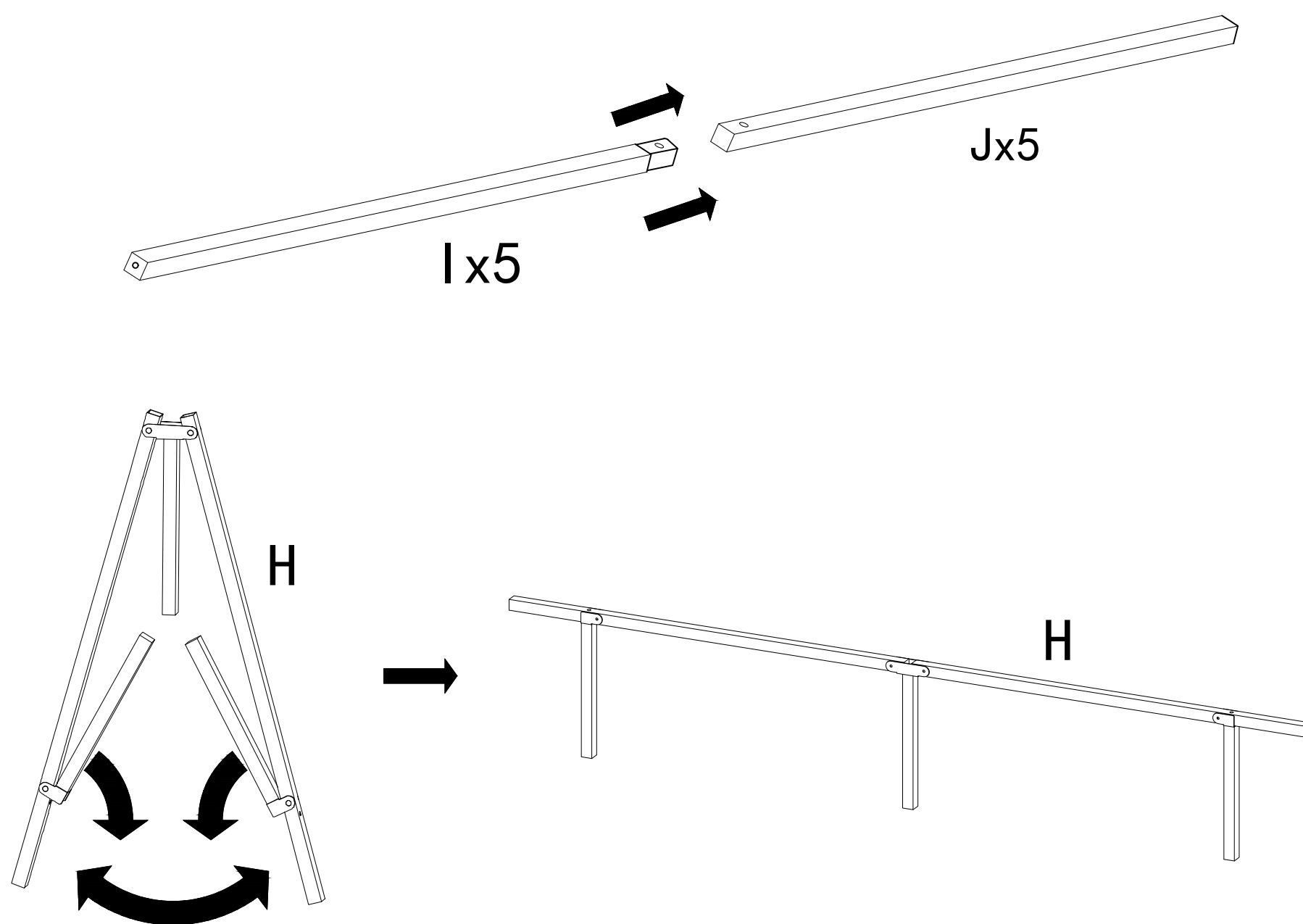
aa	 M6×55mm	4
ee		4
dd	 4×4mm	1

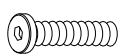
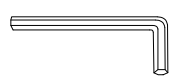


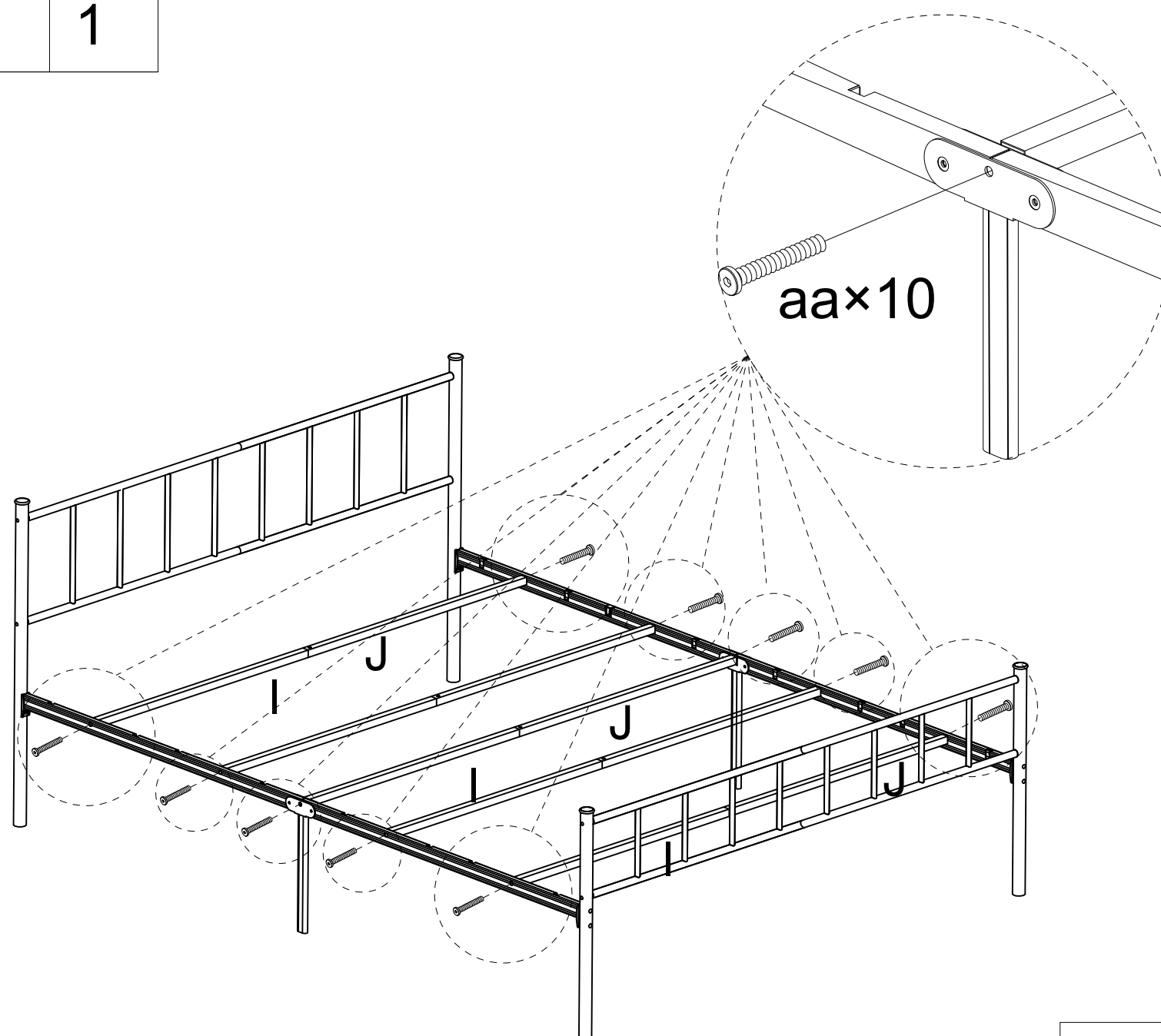


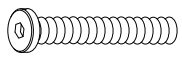
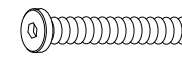

bb	 M8x50mm	8
ee		8
dd	 4x4mm	1



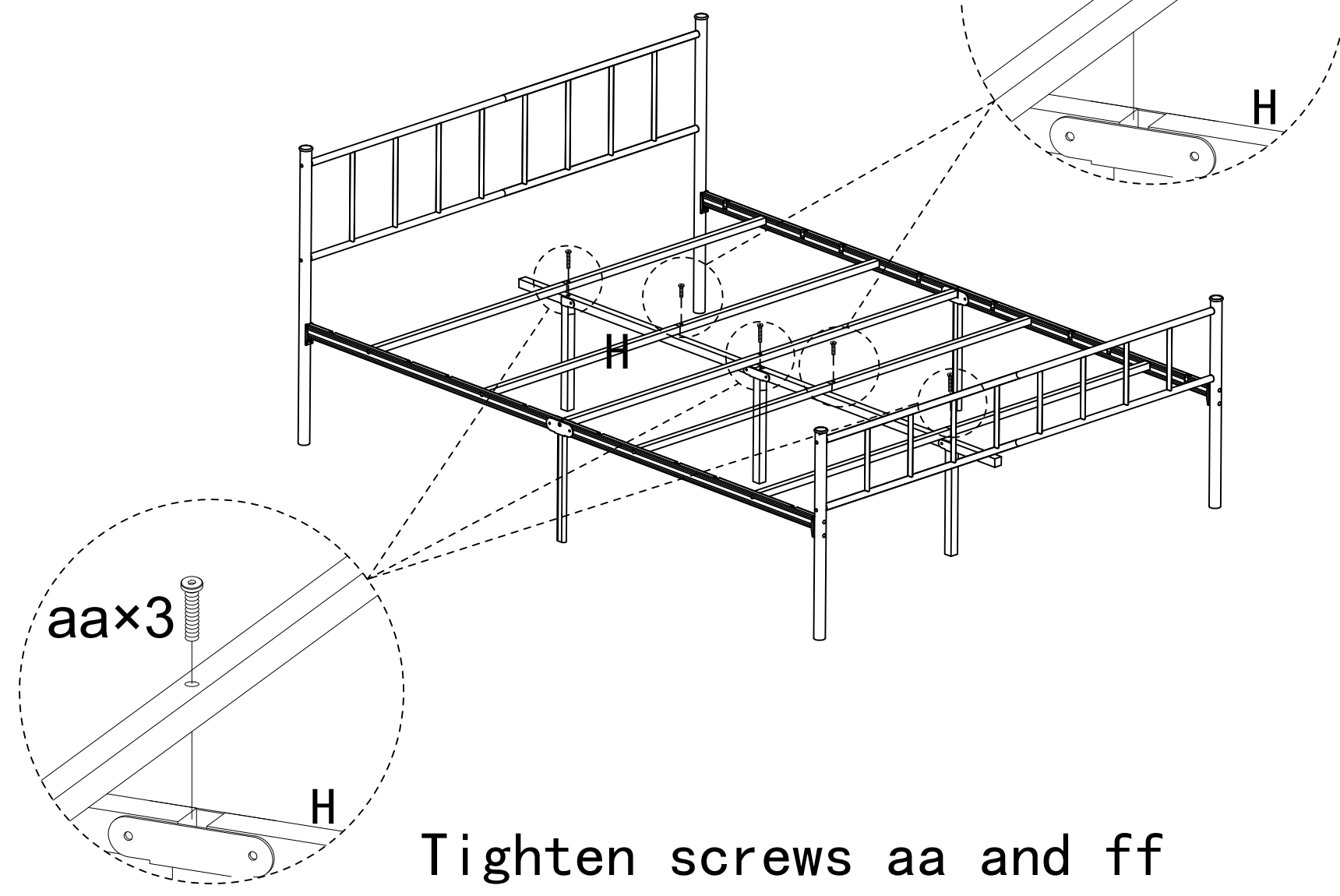


aa		M6x55mm	10
dd		4x4mm	1



aa	 M6×55mm	3	ff	 M6×30mm	2
dd	 4×4mm	1			

Step 9



Tighten screws aa and ff

Step 10

