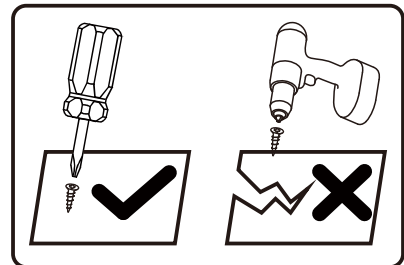
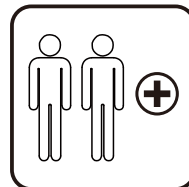
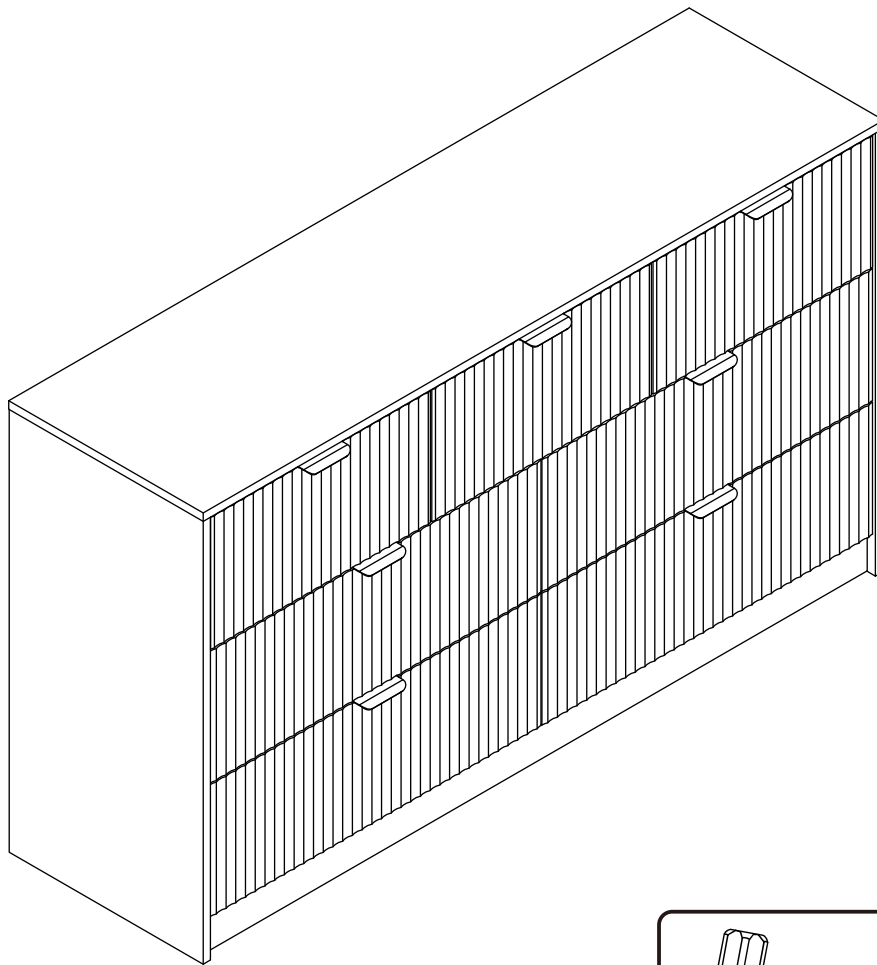


ASSEMBLY INSTRUCTIONS

Customer Service : cs@nbrehome.com



Tools Recommended

THIS INSTRUCTIONS CONTAINS IMPORTANT SAFETY INFORMATION.
PLEASE READ BEFORE ASSEMBLY AND KEEP FOR FUTURE REFERENCE.

Need Parts or Assistance? Email us : cs@nbrehome.com

IMPORTANT NOTICE

- This product contains small components, please ensure that they are kept away from small children.
- THIS INSTRUCTIONS CONTAINS IMPORTANT SAFETY INFORMATION. PLEASE READ BEFORE ASSEMBLY AND KEEP FOR FUTURE REFERENCE.
- Read each step carefully. It is very important that each step of instruction is performed in the correct order. If these steps are not followed in sequence, assembly difficulties will occur.
- Make sure all parts are included. Most parts are labelled or stamped on the raw edge.
- Work in spacious area, preferably on a carpet, near the place the unit will be used.
- Do not use power tools to assemble your furniture. Power tools may strip or damage the parts.
- Move your new furniture carefully, with two people lift and carry the unit to it's new location.
- Never push, drag or pull your furniture (especially on carpet)



PLEASE DO NOT RETURN PRODUCT TO US IMMEDIATELY

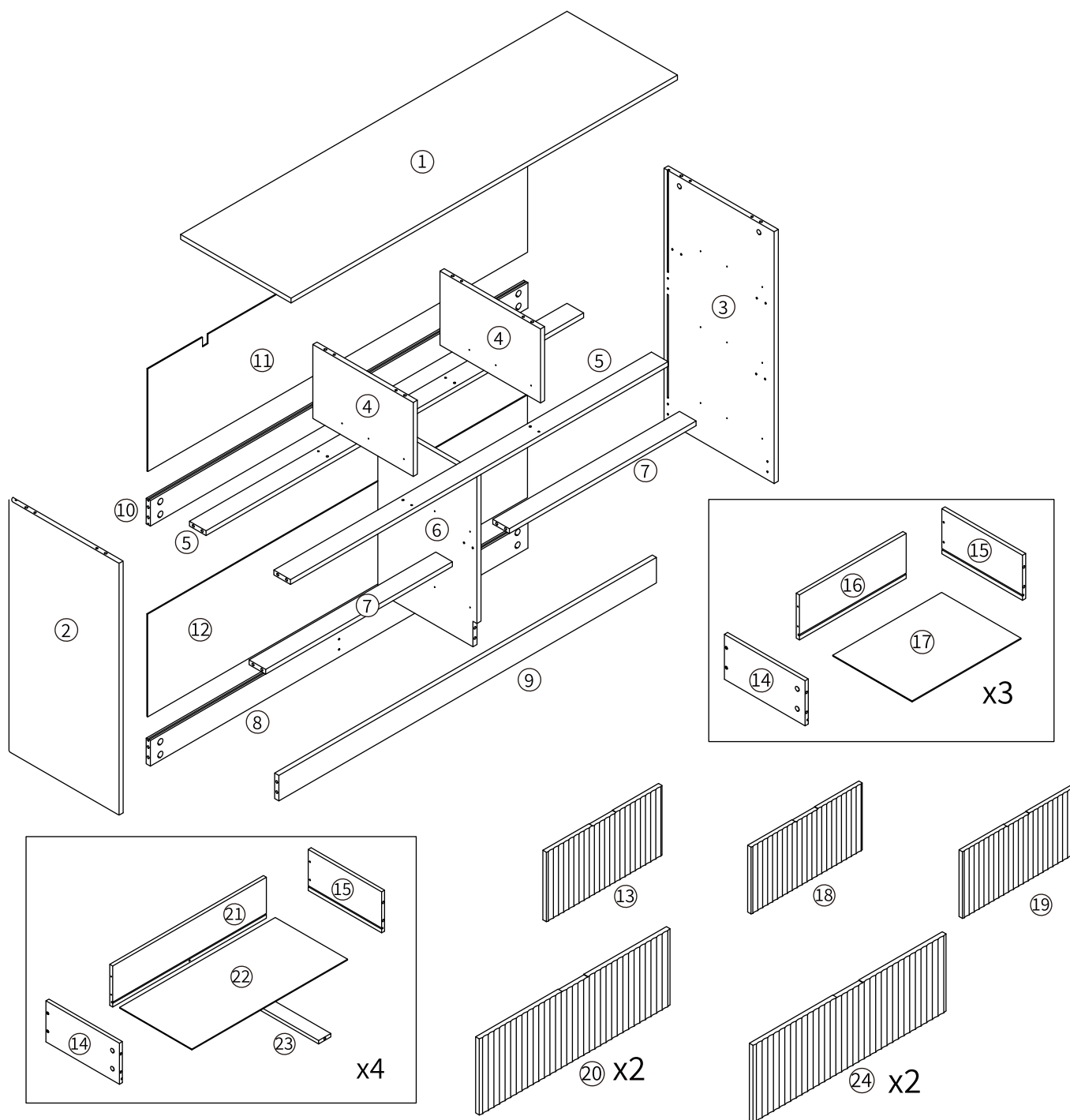
If a part is missing or damaged, email our customer service. We will gladly ship your replacement parts FREE of charge.




















Need Parts or Assistance? Email us : cs@nbrehome.com

For Prompt, reliable service, please have your assemble instruction ready

 WARNING	
	Children have died from furniture tipover. To reduce the risk of furniture tipover: <ul style="list-style-type: none">• ALWAYS install anti-tip device provided.• NEVER put a TV on this product.• NEVER allow children to stand, climb or hang on any drawers, doors, or shelves.• NEVER open more than one drawer at a time.• Place heaviest items in the lowest drawers.
	<p>This is a permanent label. Do not remove!</p>

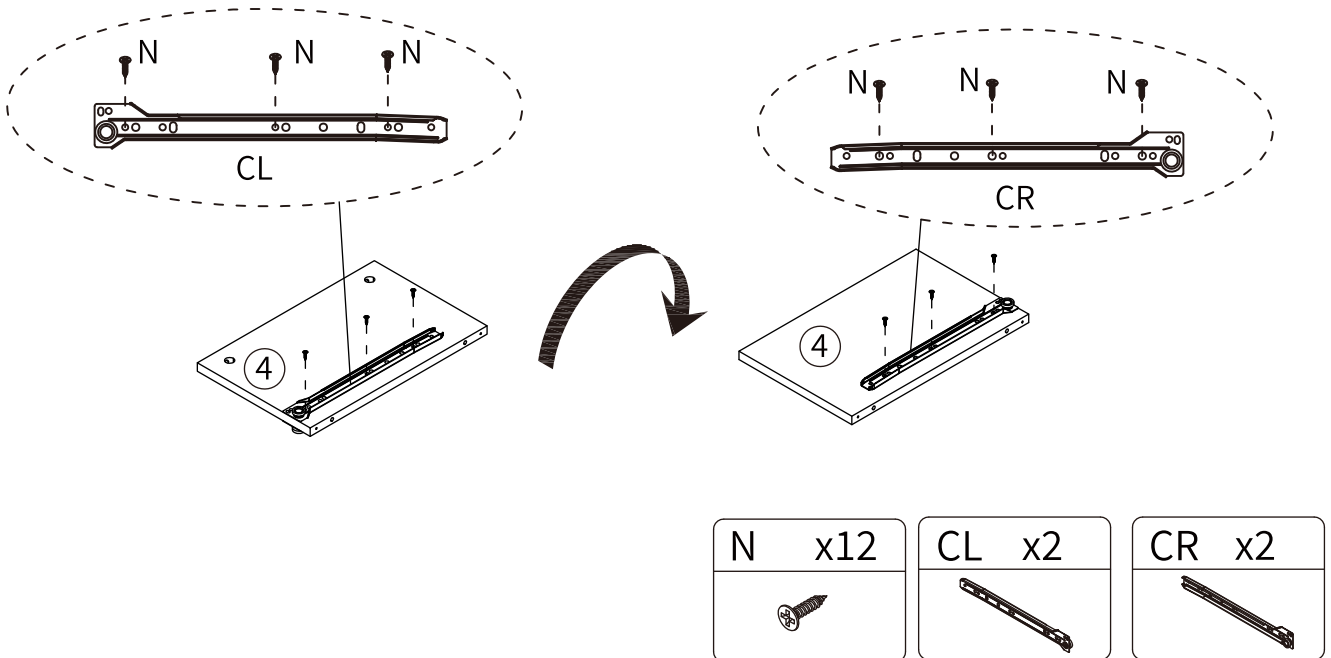
The installation direction should be aligned with the instructions to prevent plate breakage caused by product tipping during installation.



A x76  6x35mm	B x76 	C x14  6x30mm	D x4  4x40mm	E x7 	F x14  3x12mm	G x16  3x14mm
H x16 	I x2 	J x2  4x12mm	K x2  4x35mm	L x2 	M x32  4x30mm	N x84  3.5x12mm
O x6 	CL x7 	CR x7 	DL x7 	DR x7 		

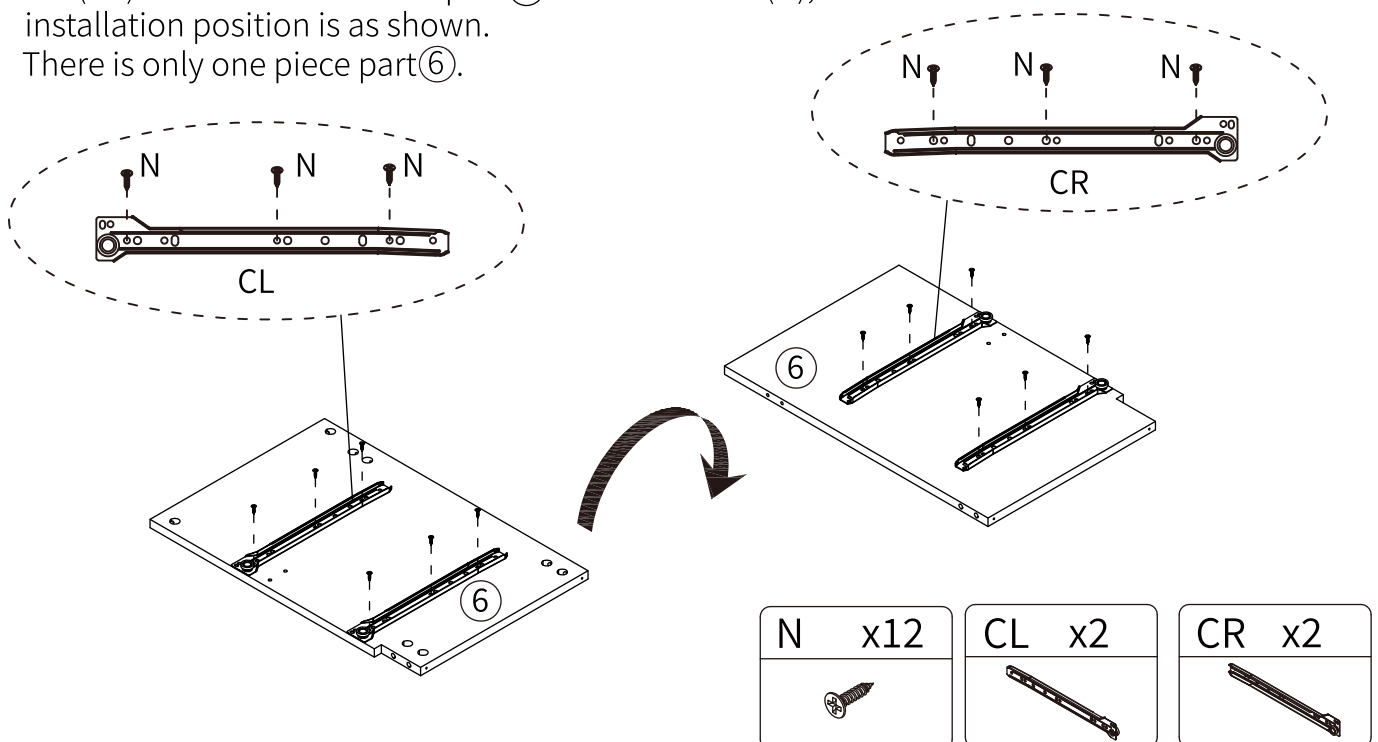
Step 1

x2 Firstly lock the guide rail (CL) to the right side of the part ④ with screw (N), then turn it 180 degrees and lock the guide rail (CR) to the left side of the part ④ with the screw (N), the installation position is as shown. There are 2 pieces parts ④.



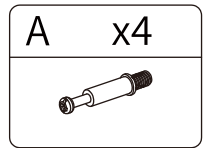
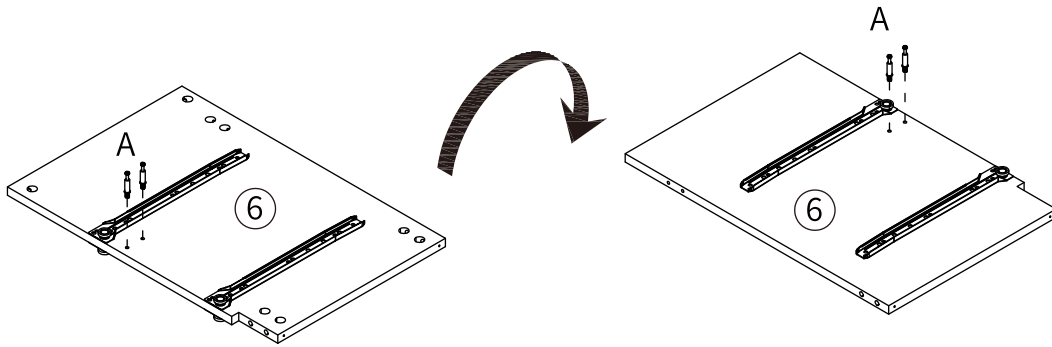
Step 2

Firstly lock the guide rail (CL) to the right side of the part ⑥ with screw (N), then turn it 180 degrees and lock the guide rail (CR) to the left side of the part ⑥ with the screw (N), the installation position is as shown. There is only one piece part ⑥.



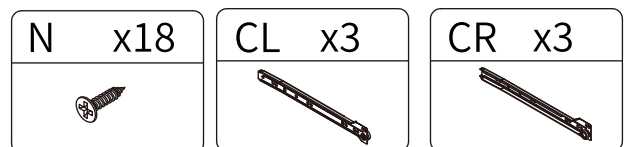
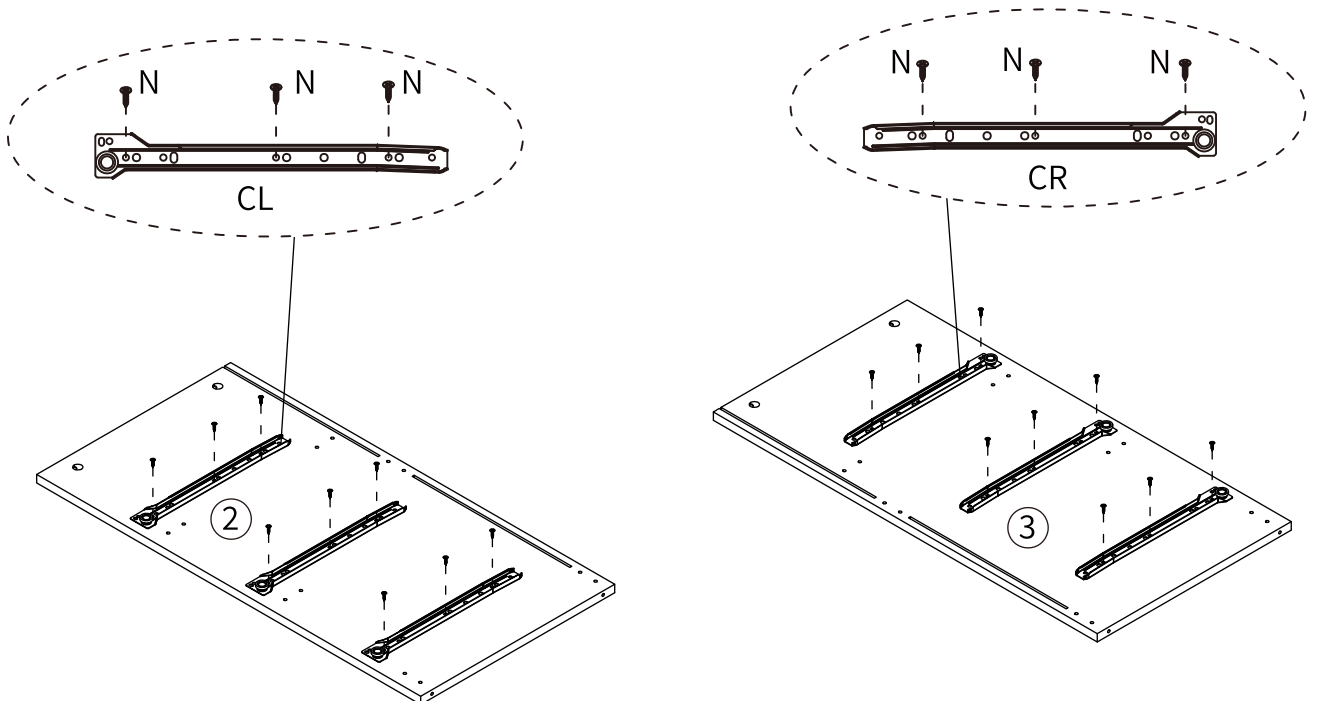
Step 3

Install screw (A) on the left and right sides of part ⑥, the installation position is as shown.



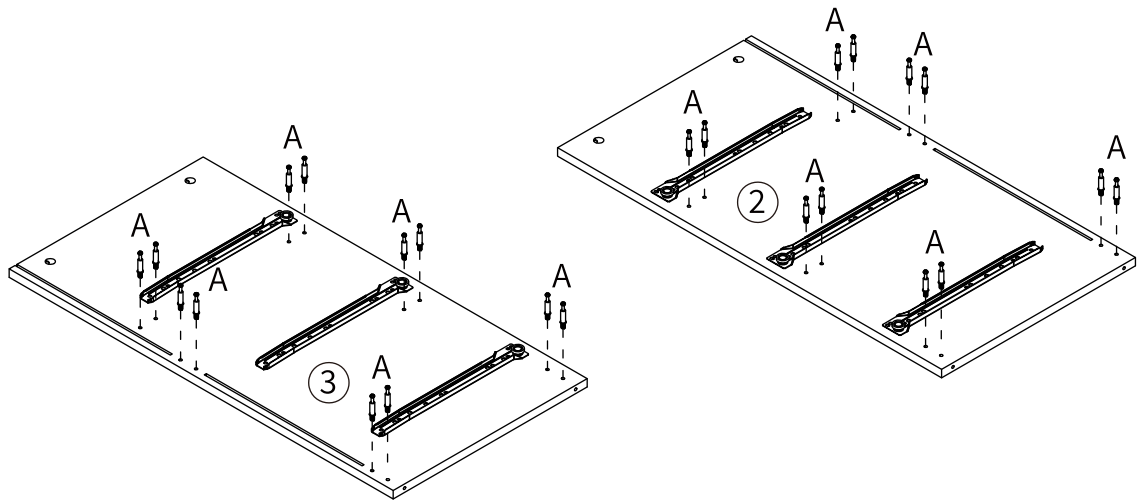
Step 4

Lock the guide rail (CL) on part ③ with screw (N), lock the guide rail (CR) on part ② with screw (N).



Step 5

Insert screw (A) into corresponding holes on part ② & ③.

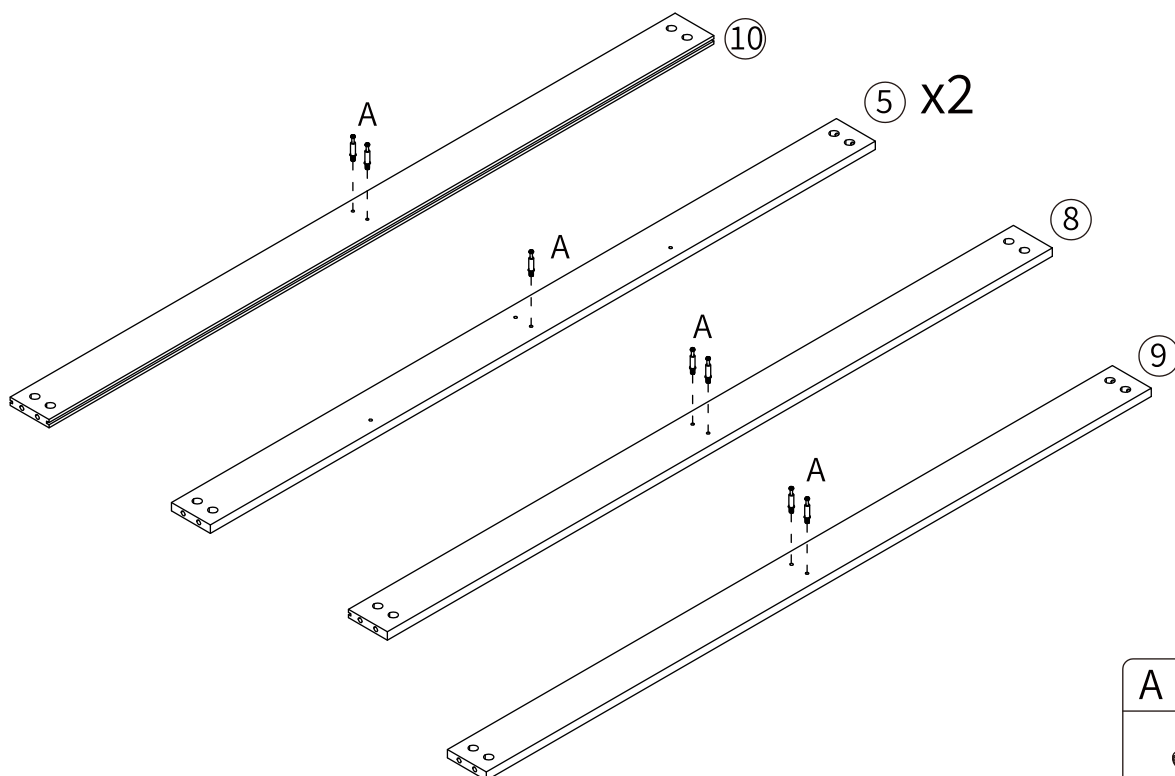


A x24

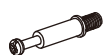


Step 6

Insert screw (A) into corresponding holes on part ⑩ & ⑤ (x2) & ⑧ & ⑨.

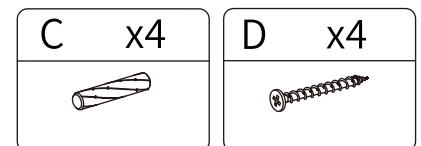
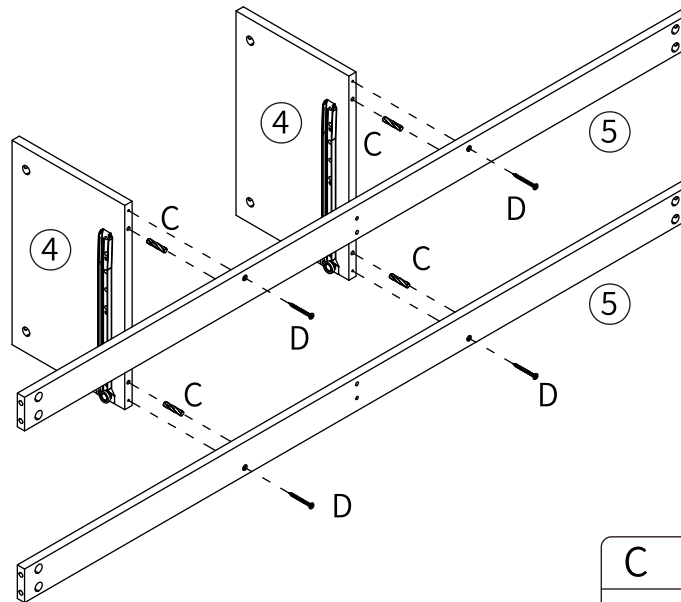


A x8



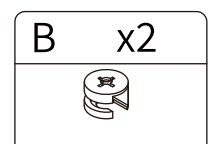
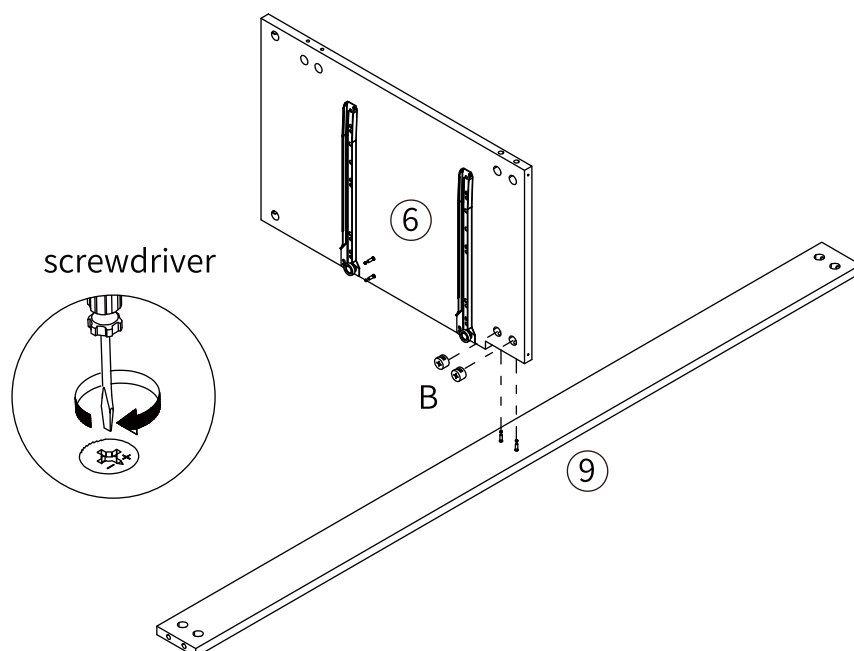
Step 7

Insert wooden dowel (C) into part ④, Connect part ⑤ (x2) to part ④ (x2) with screw (D).



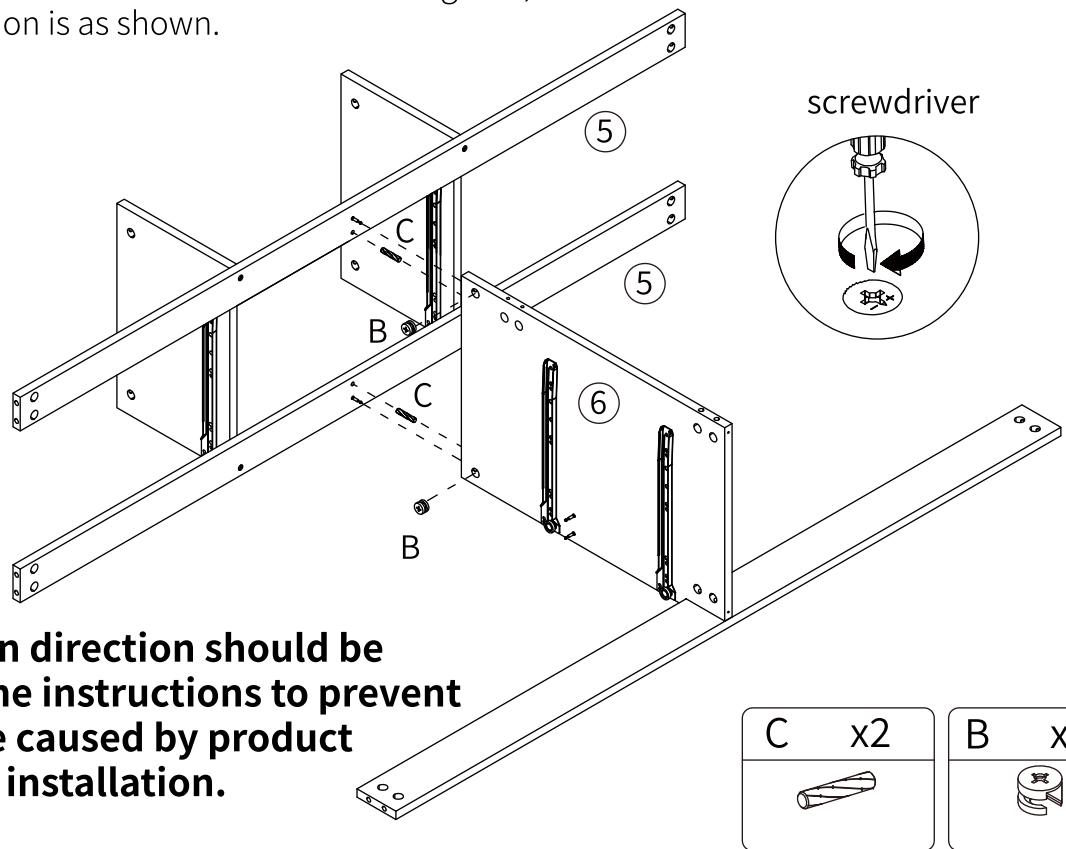
Step 8

Connect part ⑥ to part ⑨ with cam lock (B), insert cam lock (B) into the corresponding holes on part ⑥ and use a screwdriver to turn it clockwise to tighten, the installation position is as shown.



Step 9

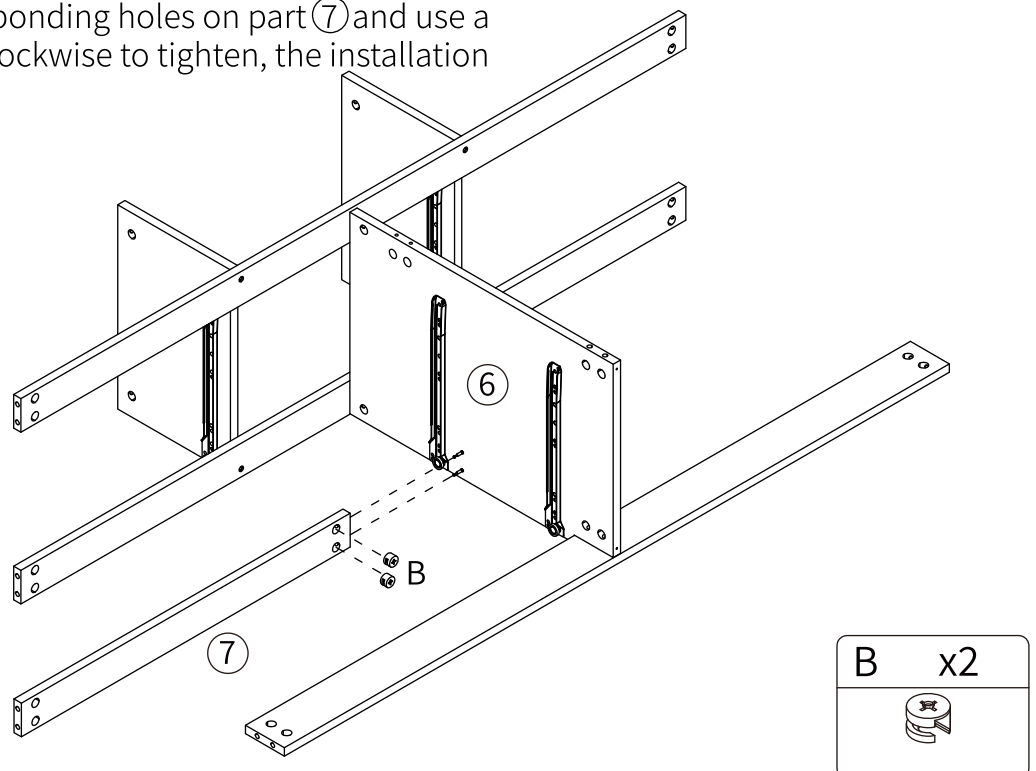
Insert wooden dowel (C) into part ⑤, then connect part ⑥ to part ⑤
insert cam lock (B) into the corresponding holes on part ⑥
and use a screwdriver to turn it clockwise to tighten, the
installation position is as shown.



The installation direction should be aligned with the instructions to prevent plate breakage caused by product tipping during installation.

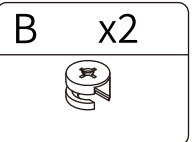
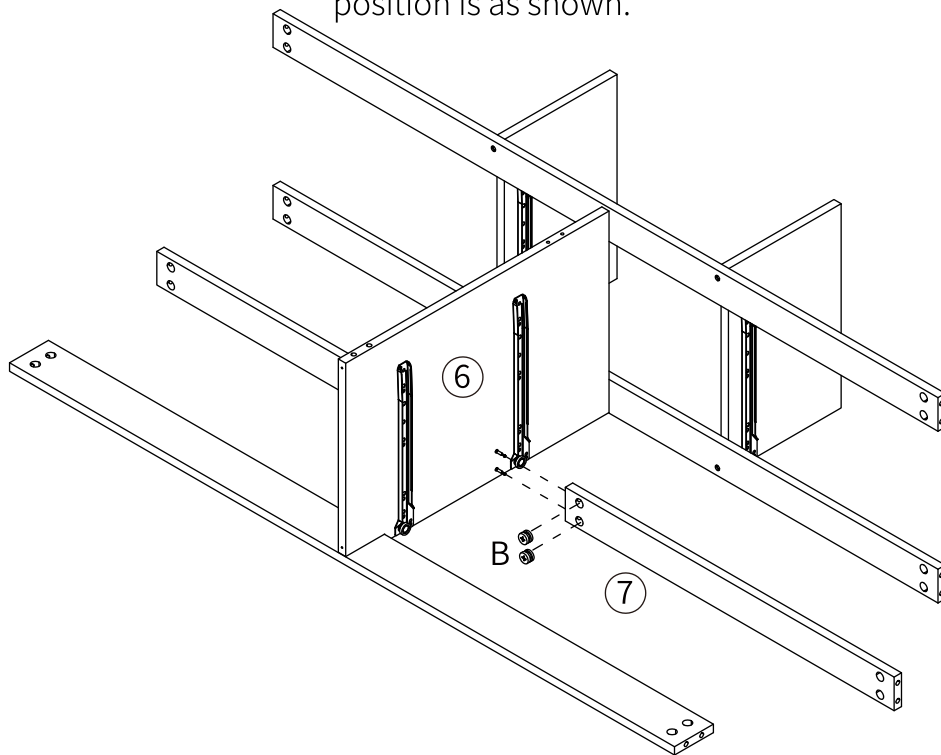
Step 10

Connect part ⑦ to part ⑥ with cam lock (B), insert cam
lock (B) into the corresponding holes on part ⑦ and use a
screwdriver to turn it clockwise to tighten, the installation
position is as shown.



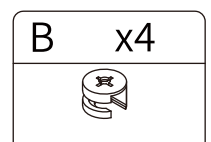
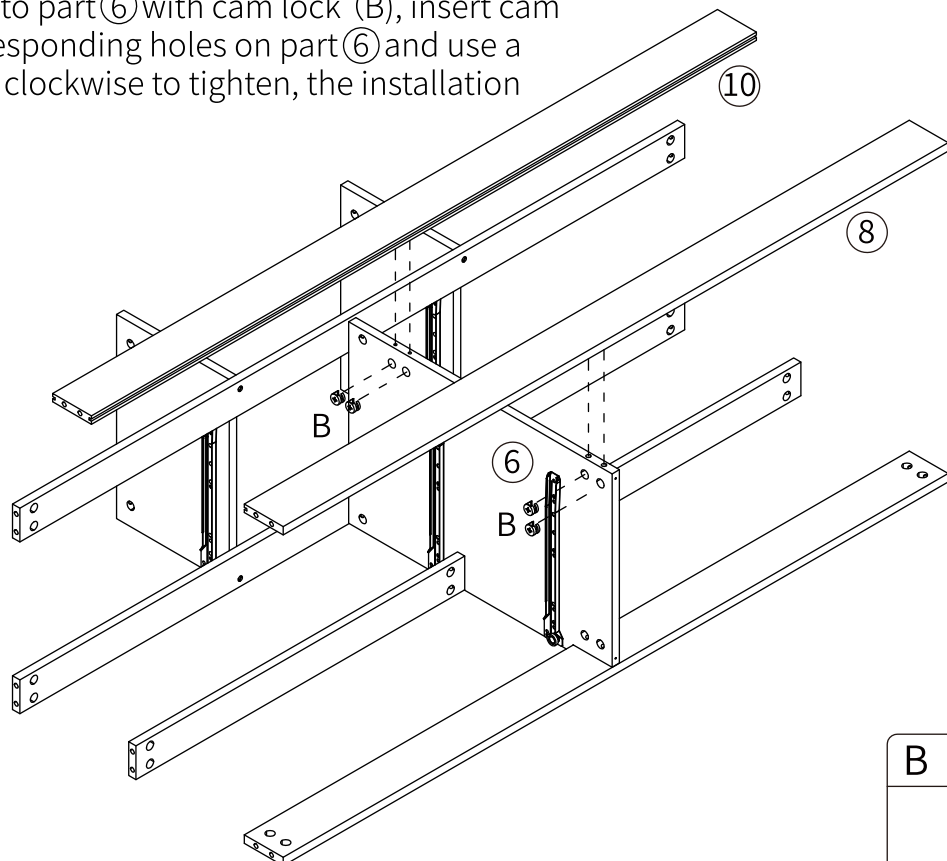
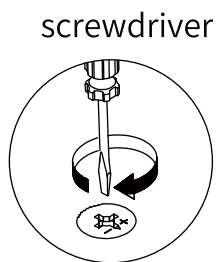
Step 11

Connect part ⑦ to part ⑥ with cam lock (B), insert cam lock (B) into the corresponding holes on part ⑦ and use a screwdriver to turn it clockwise to tighten, the installation position is as shown.



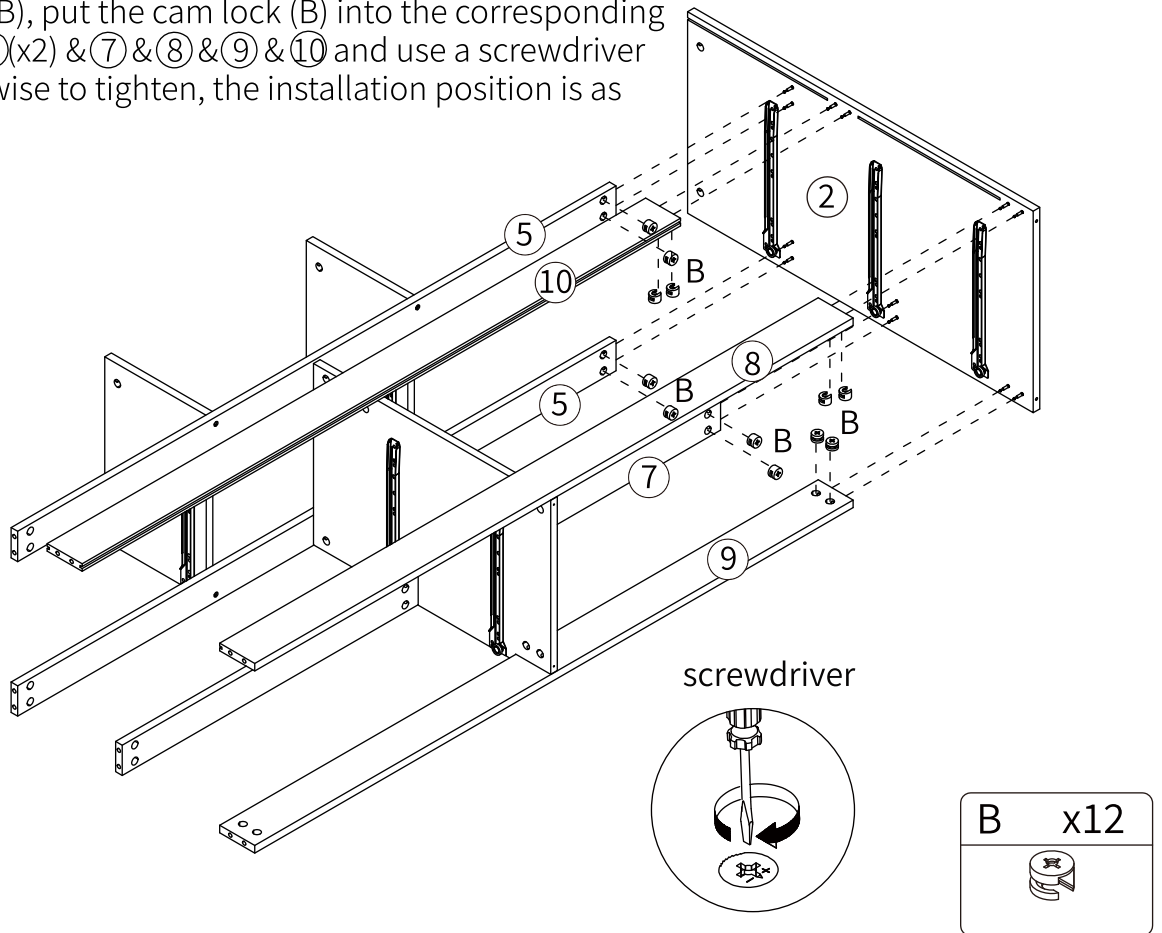
Step 12

Connect part ⑧ & ⑩ to part ⑥ with cam lock (B), insert cam lock (B) into the corresponding holes on part ⑥ and use a screwdriver to turn it clockwise to tighten, the installation position is as shown.



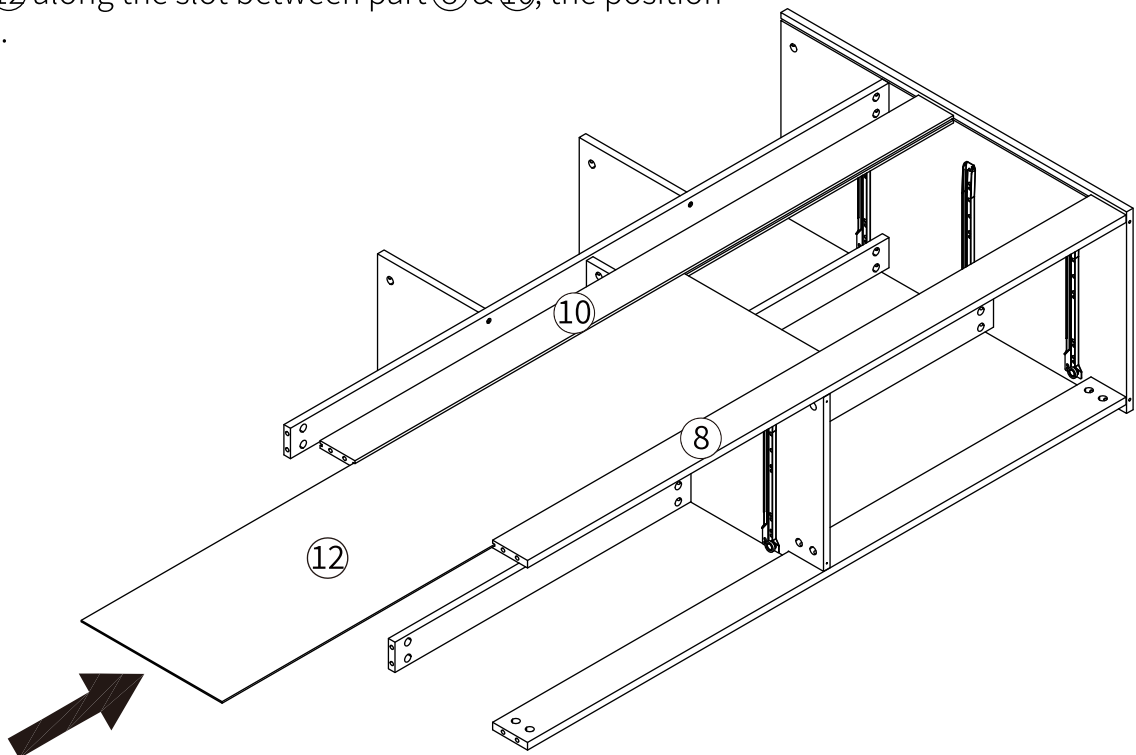
Step 13

Connect assembled part ⑤(x2) & ⑦ & ⑧ & ⑨ & ⑩ to part ② with cam lock (B), put the cam lock (B) into the corresponding holes on part ⑤(x2) & ⑦ & ⑧ & ⑨ & ⑩ and use a screwdriver to turn it clockwise to tighten, the installation position is as shown.



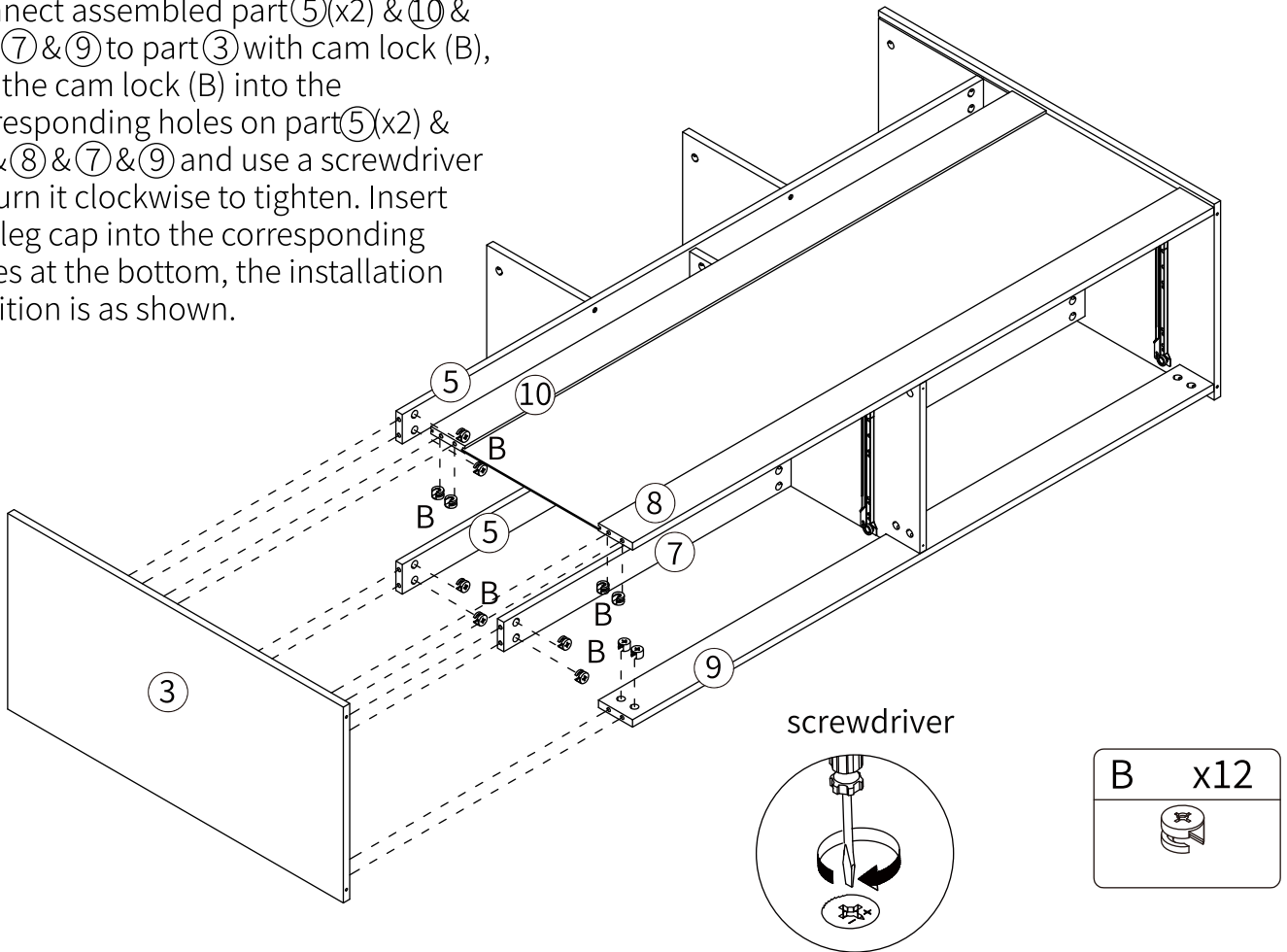
Step 14

Insert part ⑫ along the slot between part ⑧ & ⑩, the position is as shown.



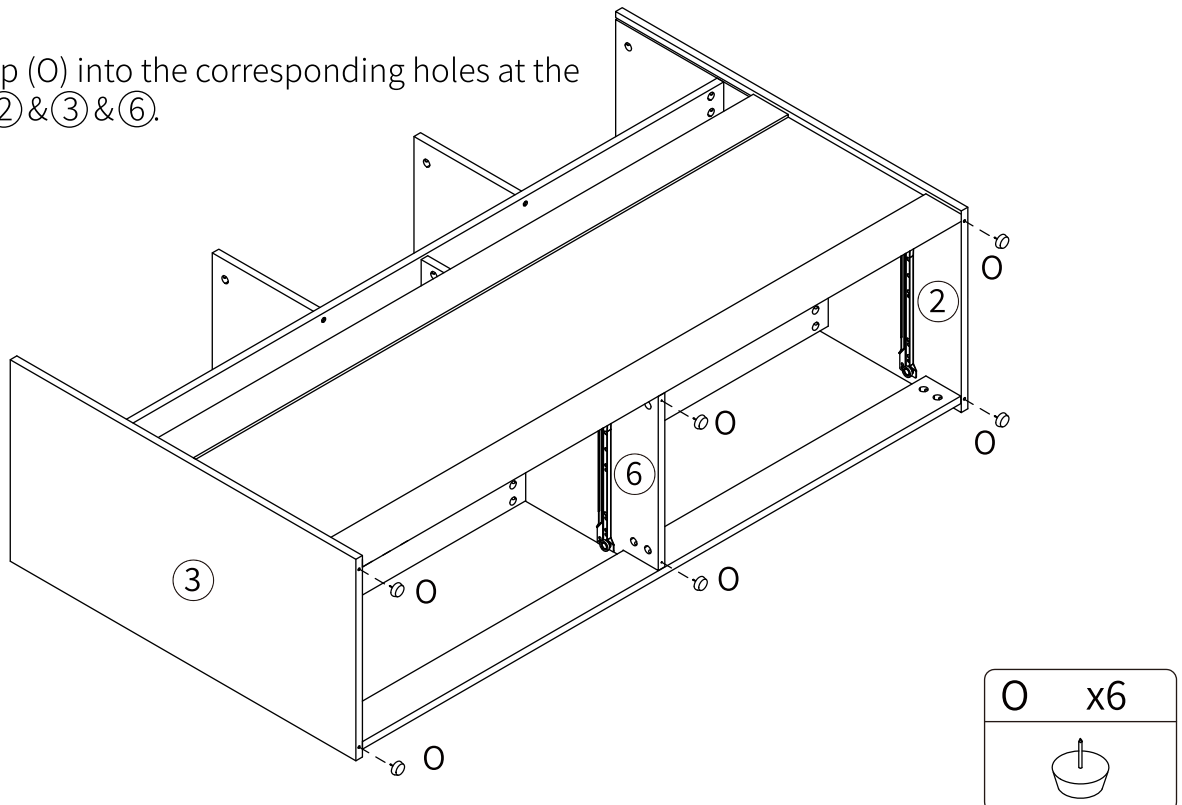
Step 15

Connect assembled part ⑤(x2) & ⑩ & ⑧ & ⑦ & ⑨ to part ③ with cam lock (B), put the cam lock (B) into the corresponding holes on part ⑤(x2) & ⑩ & ⑧ & ⑦ & ⑨ and use a screwdriver to turn it clockwise to tighten. Insert the leg cap into the corresponding holes at the bottom, the installation position is as shown.



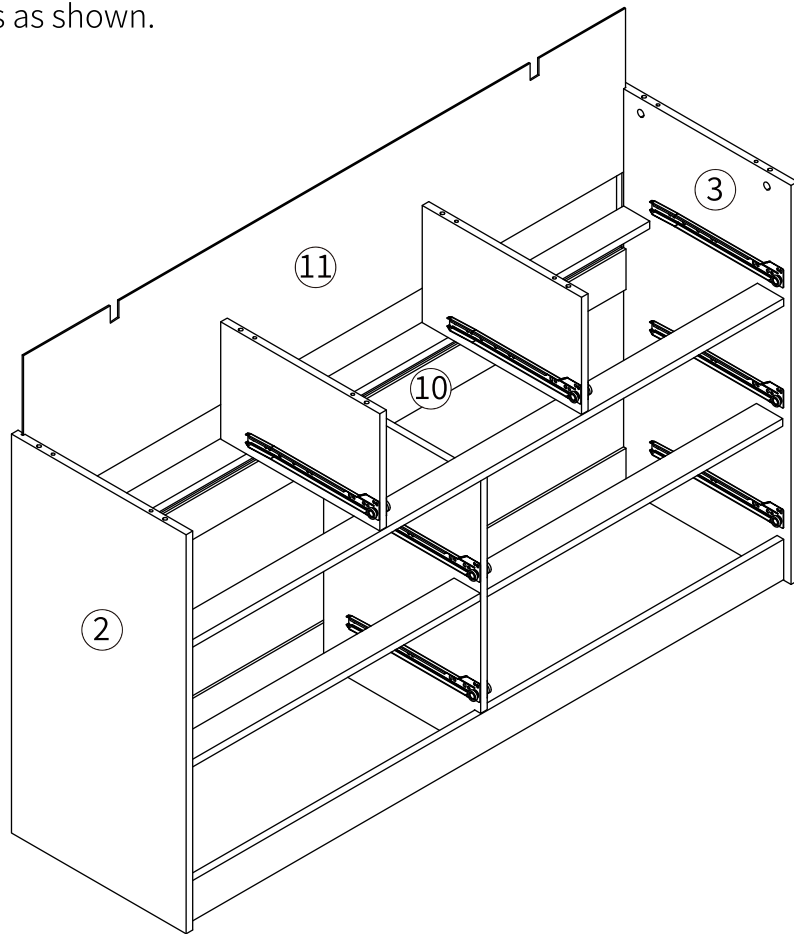
Step 16

Insert the leg cap (O) into the corresponding holes at the bottom of part ② & ③ & ⑥.



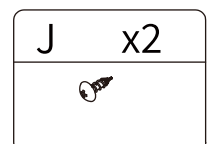
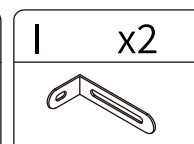
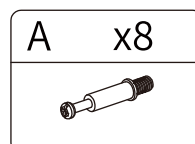
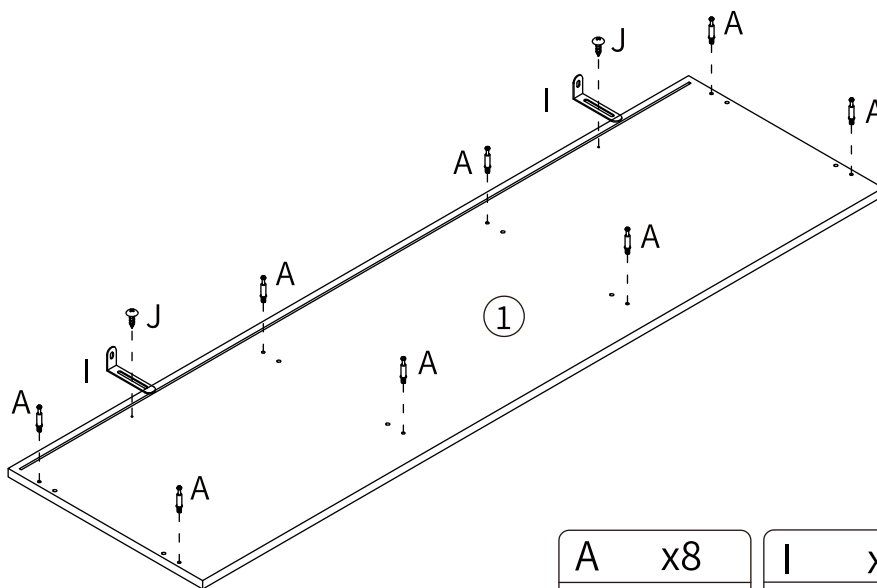
Step 17

Insert part ① along the slot between part ② & ③, the position is as shown.



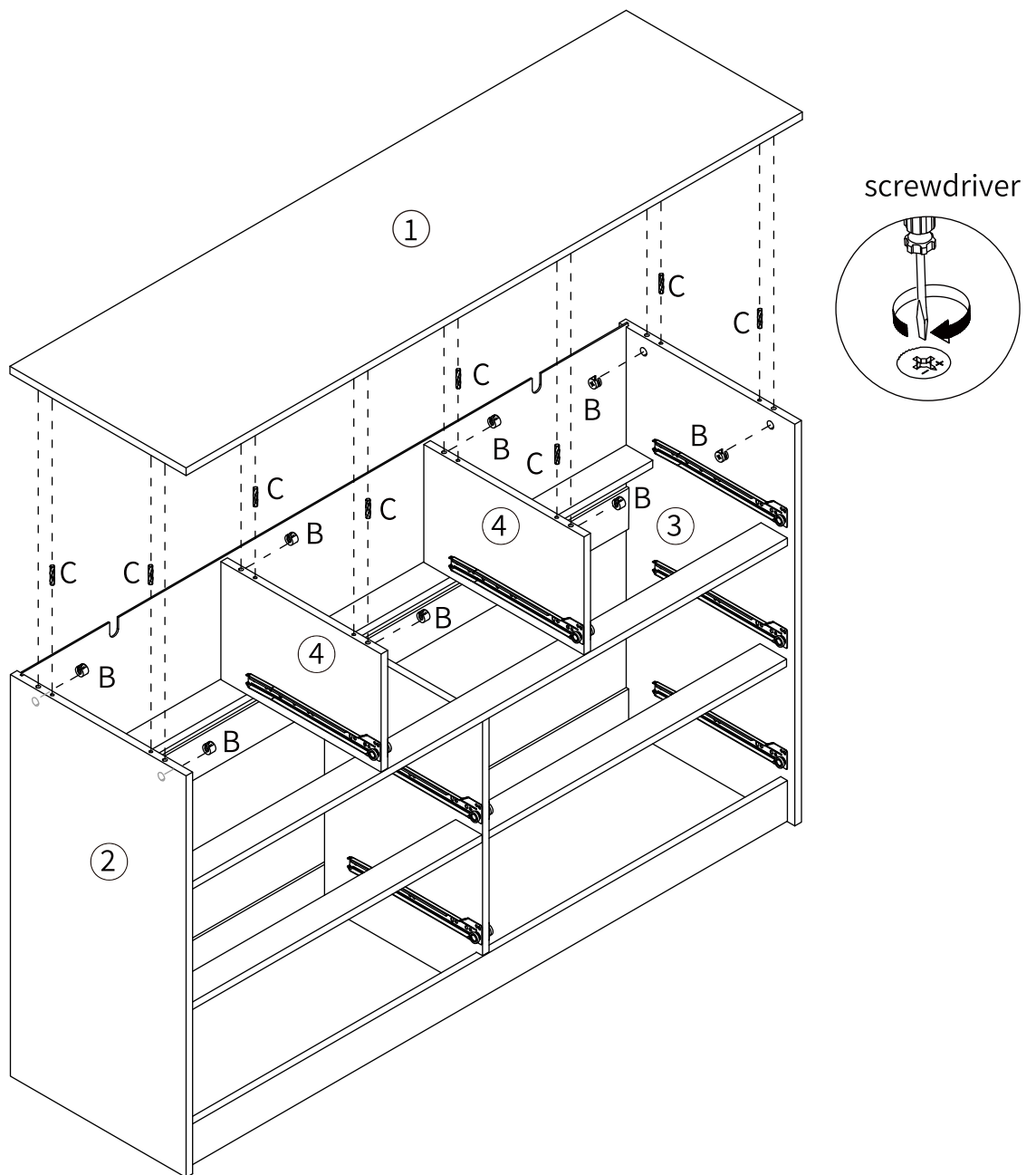
Step 18

Install the screw (A) on the part ①, fasten the L-shaped iron piece (I) with screw (J).



Step 19

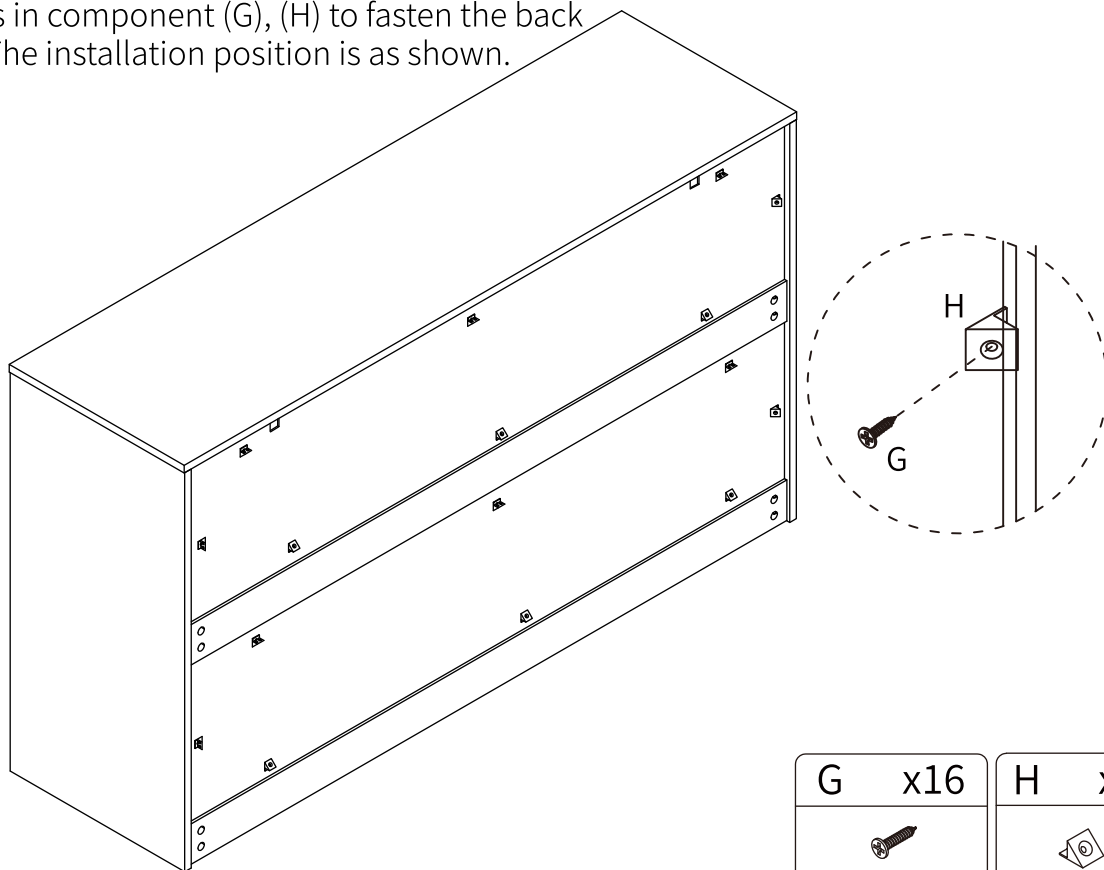
Insert the dowel (C) on part ②&③ & ④(x2), then connect assembled parts ② & ③ & ④(x2) to part ① with cam lock (B), put the cam lock (B) into the corresponding holes on part ② & ③ & ④(x2) and use a screwdriver to turn it clockwise to tighten, the installation position is as shown.



C x8	B x8

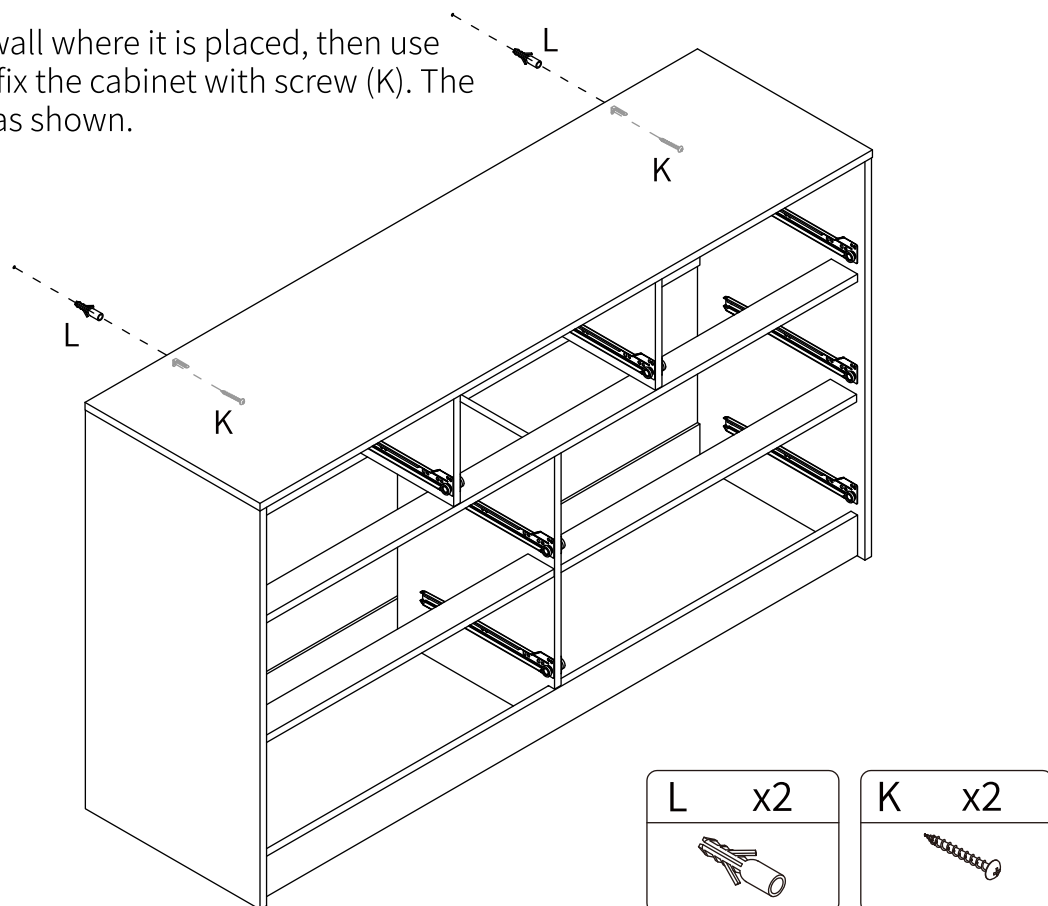
Step 20

Use the screws in component (G), (H) to fasten the back plate buckle. The installation position is as shown.



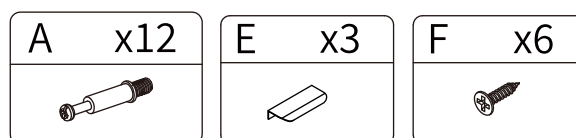
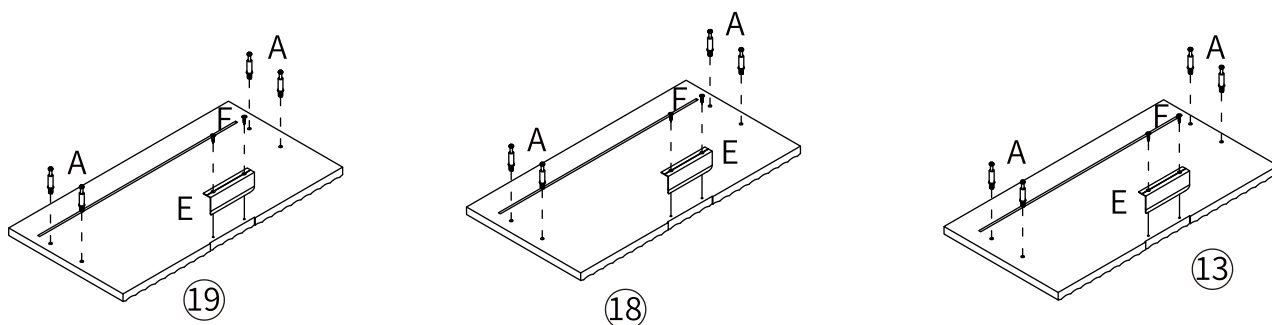
Step 21

First drill holes on the wall where it is placed, then use expansion screw (L) to fix the cabinet with screw (K). The installation location is as shown.



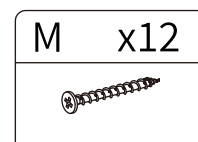
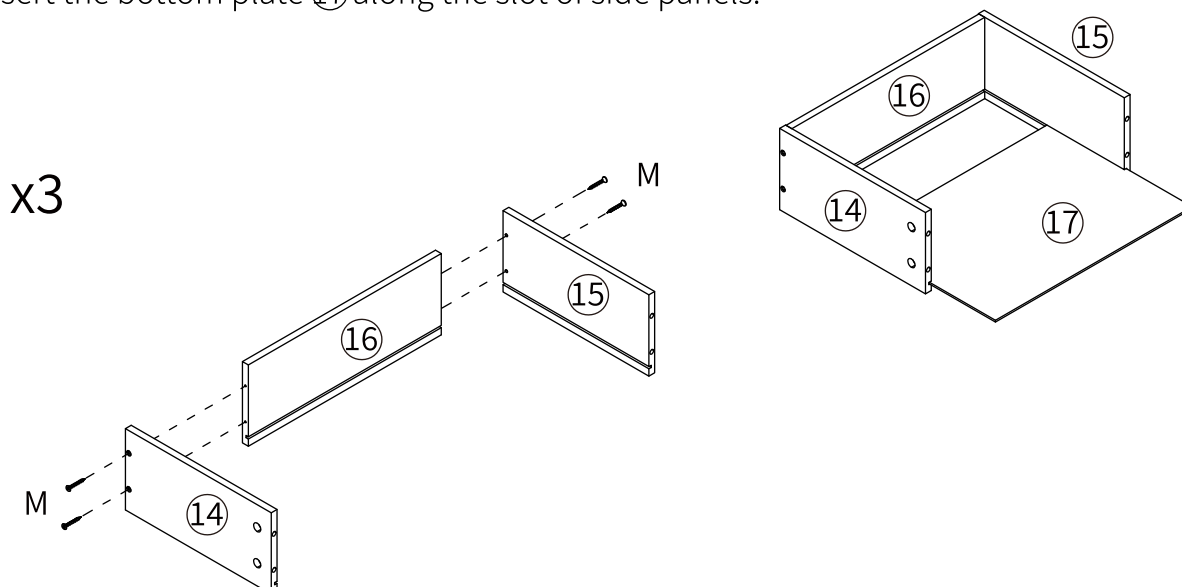
Step 22

Install the screw (A) on the drawer panels ①⑨ & ①⑧ & ①③ firstly, then use the screw (F) to lock the handle (E) on the drawer panels ①⑨ & ①⑧ & ①③.



Step 23

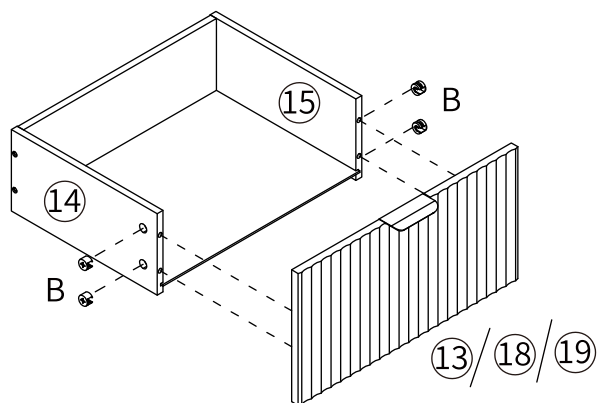
Use the screw (M) to connect the side panels ①④ & ①⑤ to the back panel ①⑥.
Insert the bottom plate ①⑦ along the slot of side panels.



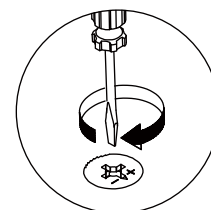
Step 24

Put the cam lock (B) into the corresponding holes on part ⑭ & ⑮ and use a screwdriver to turn clockwise to tighten, assemble the drawer front plate ⑬ & ⑱ & ⑲ to the drawer.

x3



screwdriver



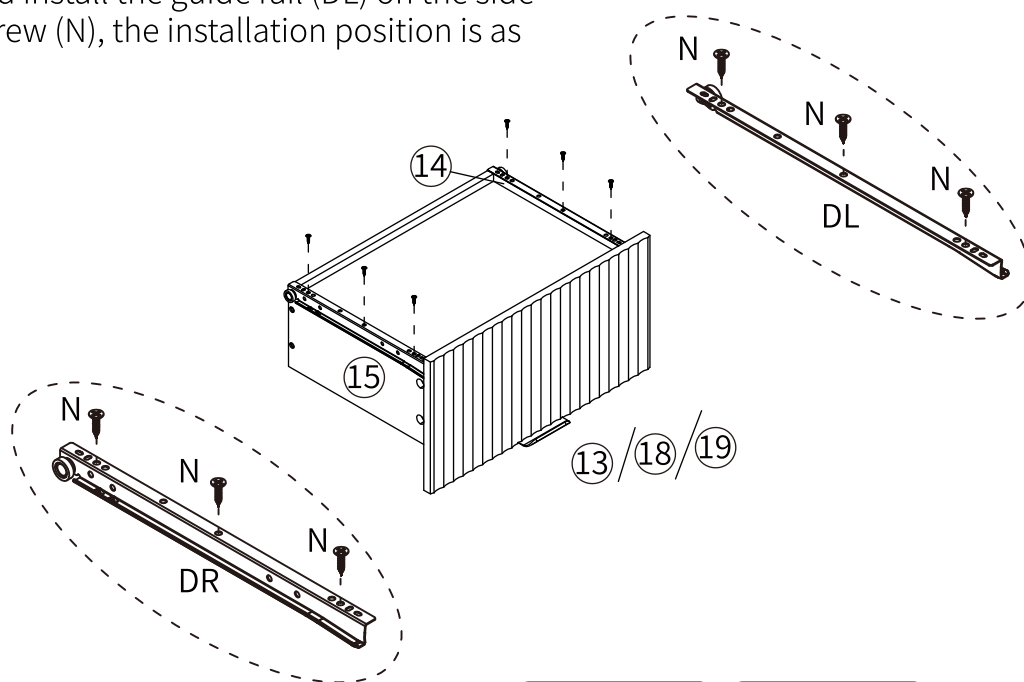
B x12



Step 25

Use the screw (N) to install the guide rail (DR) on the side panel ⑮ and install the guide rail (DL) on the side panel ⑭ with screw (N), the installation position is as shown.

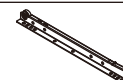
x3



DL x3



DR x3



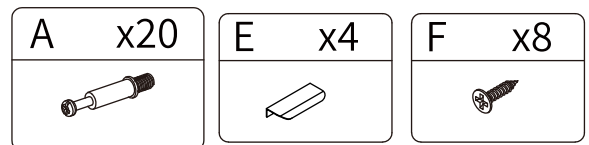
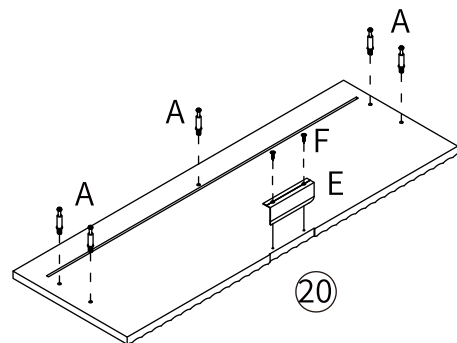
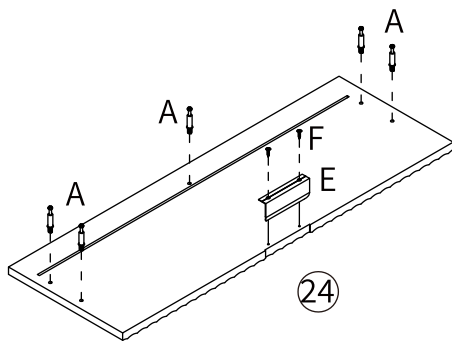
N x18



Step 26

Install the screw (A) on the drawer panels ②④ & ②① firstly, then use the screw (F) to lock the handle (E) on the drawer panels ②④ & ②①.

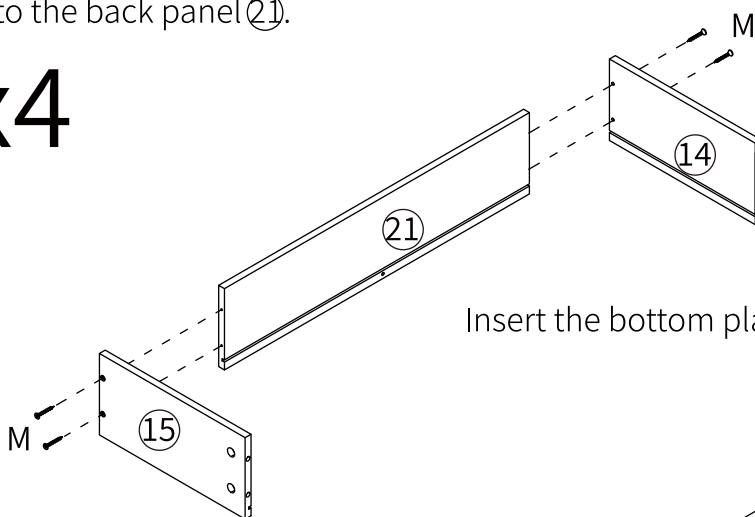
x2



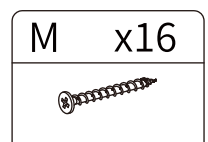
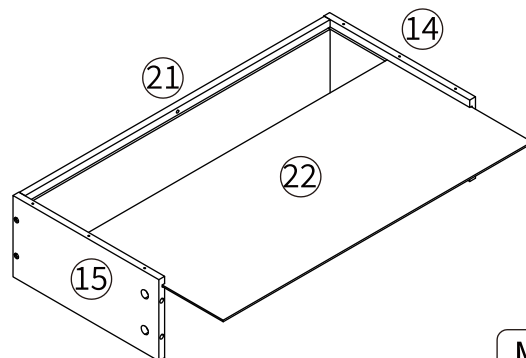
Step 27

Use the screw (M) to connect the side panels ①④ & ①⑤ to the back panel ②①.

x4



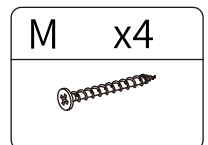
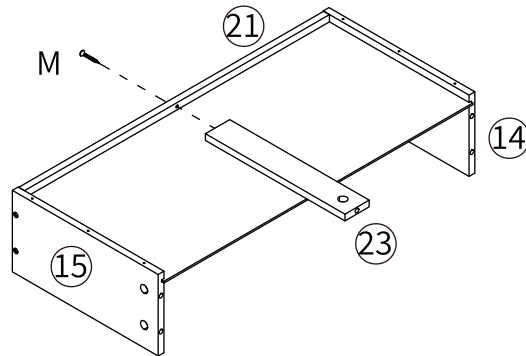
Insert the bottom plate ②② along the slot of side panels.



Step 28

Connect part ②③ to part ②① with screw (M).

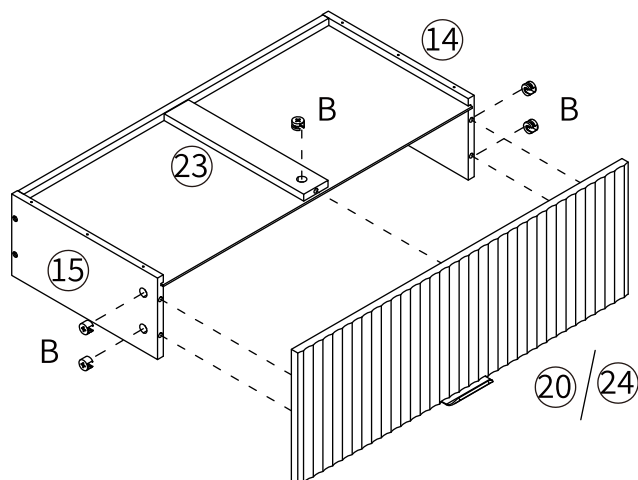
x4



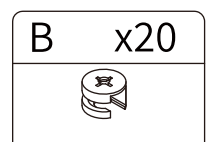
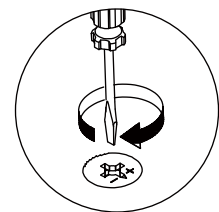
Step 29

Put the cam lock (B) into the corresponding holes on part ①④ & ①⑤ & ②③ and use a screwdriver to turn clockwise to tighten, assemble the drawer front plate ②① & ②④ to the drawer.

x4



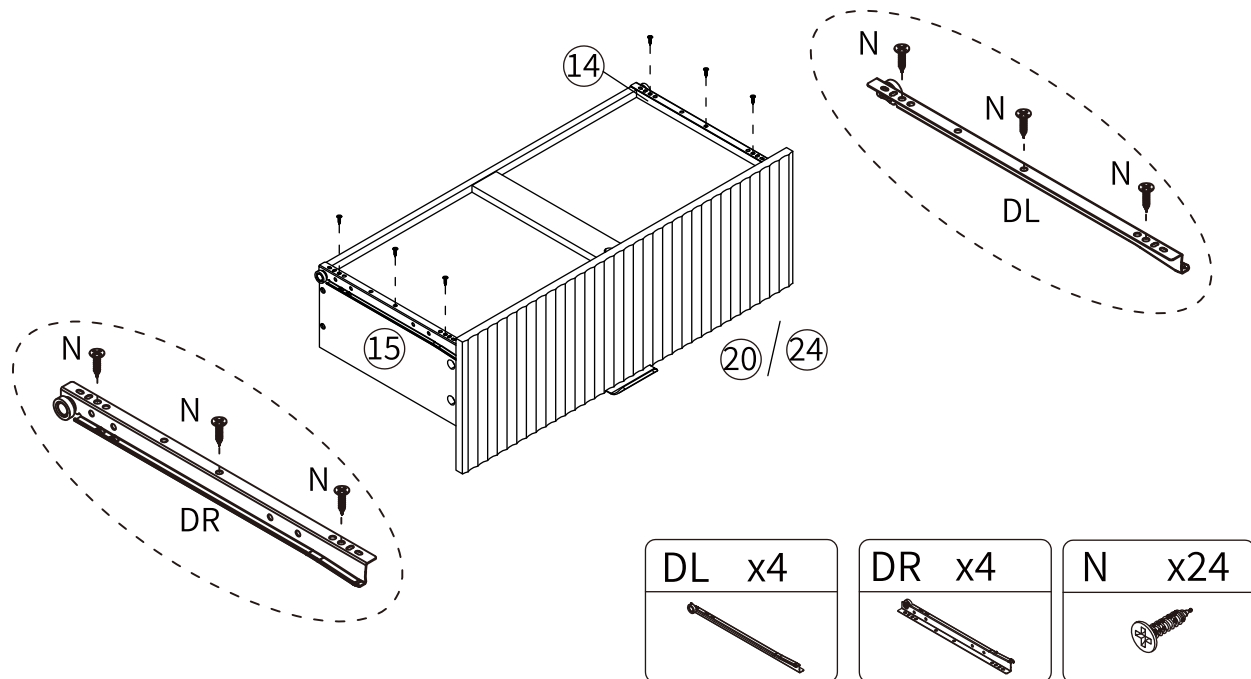
screwdriver



Step 30

Use the screw (N) to install the guide rail (DR) on the side panel ⑮ and install the guide rail (DL) on the side panel ⑭ with screw (N), the installation position is as shown.

x4



Step 31

Install the drawers into corresponding drawer spaces as shown.

