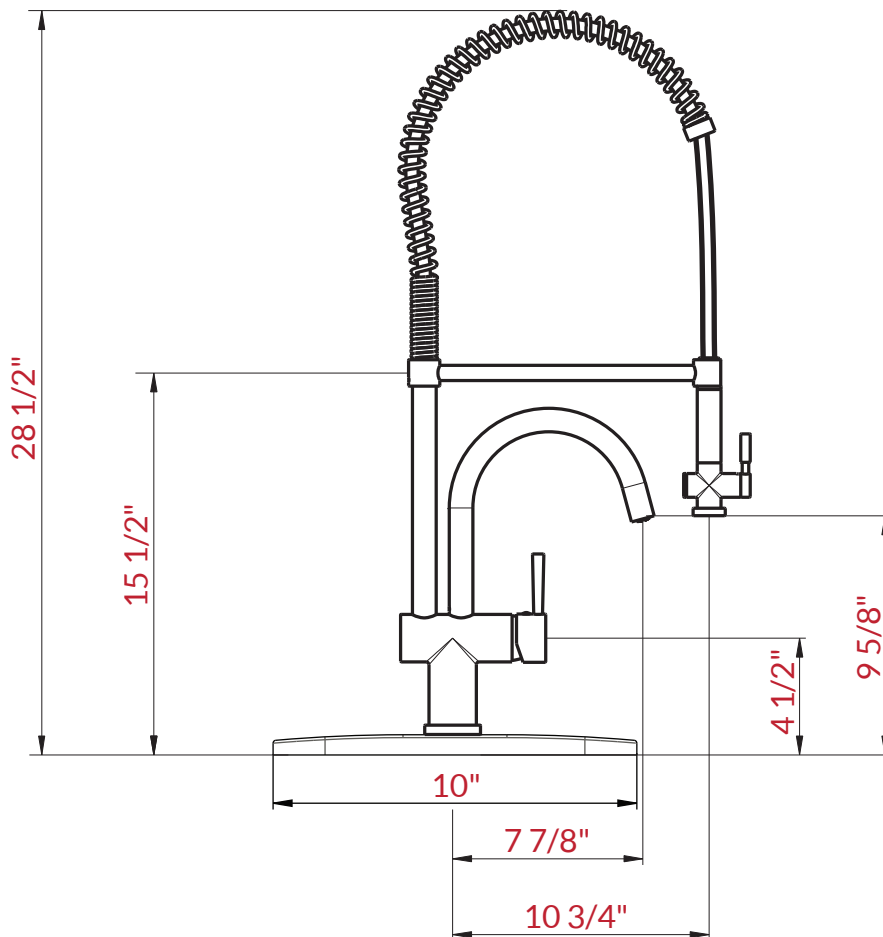




KITCHEN FAUCET
Model: **LK16B**

INSTALLATION INSTRUCTIONS

PREPARATION FOR INSTALLATION



ATTENTION! Dimensions may vary by up to $\frac{3}{8}$ ". It is highly recommended to pull all dimensions of actual model for installation and measuring purposes.

ATTENTION! Measurements in inches are rounded to the nearest $\frac{1}{8}$ ".

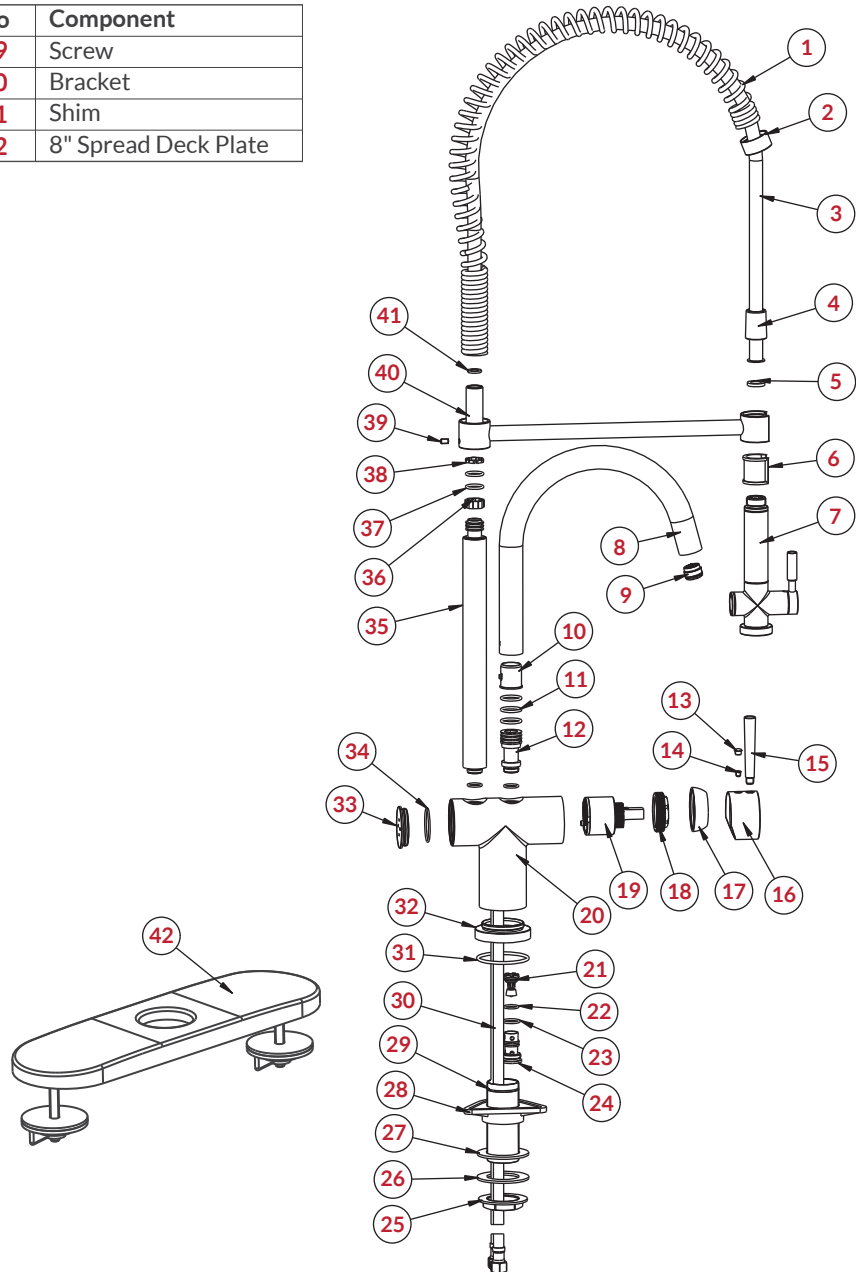
TECHNICAL DATA

Max flow rate 1.8 GMP at 60 PSI

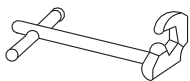
PARTS & COMPONENTS

No	Component
1	Spring
2	Cover
3	Flexible Hose
4	Joint
5	Shim
6	Plastic Nipple
7	Spray Head
8	Spout Pipe
9	Aerator
10	Coil Spring
11	O-Ring
12	Joint
13	Canopy
14	Screw
15	Handle Shaft
16	Handle Cover
17	Cap
18	Press Hat
19	Cartridge
20	Body
21	Automatic Diverter
22	O-Ring
23	O-Ring
24	Joint
25	Lock Nut
26	Shim
27	Shim
28	Triangle Plank
29	Screwed Connector
30	Flexible Hose
31	O-Ring
32	Base
33	Cover
34	O-Ring
35	Spout Tube
36	Plastic Ring
37	O-Ring
38	Plastic Ring

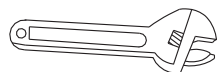
No	Component
39	Screw
40	Bracket
41	Shim
42	8" Spread Deck Plate



TOOLS REQUIRED FOR INSTALLATION



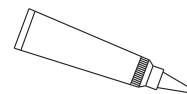
Basin Wrench



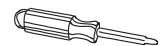
Adjustable Wrench



Teflon Tape



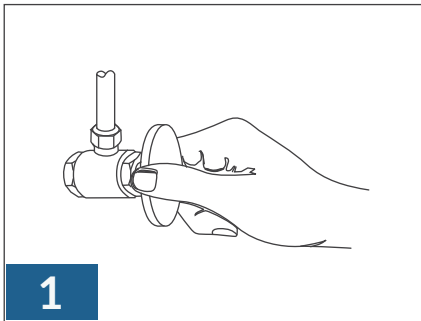
Silicone Sealant



Screwdriver

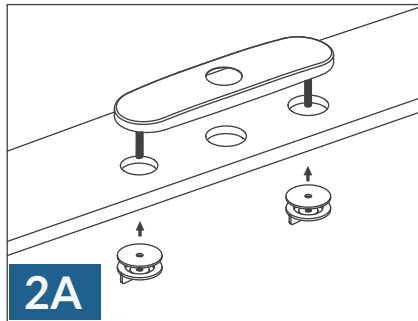
OTHER TOOLS MAY BE REQUIRED

INSTALLATION INSTRUCTIONS



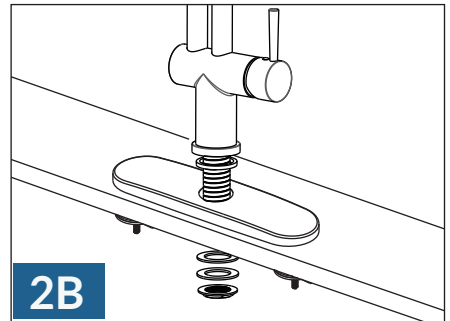
1

You should clean all the dirt from valve outlets. Turning off the water supply valves. This is usually found near the water meter. If you are replacing an existing faucet, remove the faucet from the sink and clean the sink surface thoroughly.



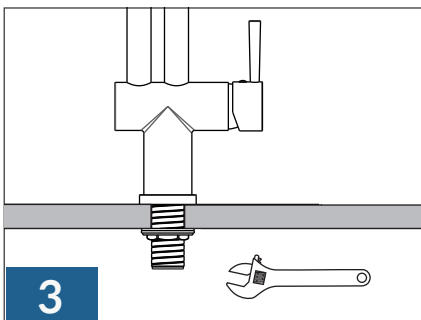
2A

Install with Deck Plate. Place a bead of plumber's putty between faucet and sink. Place Deck Plate over the three holes of sink. From Underside sink, tighten wing nut.a



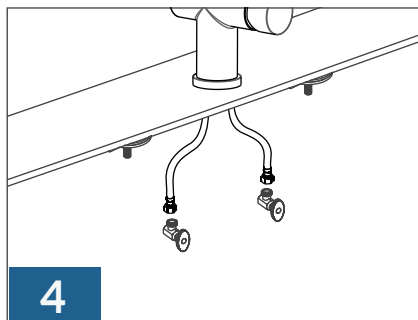
2B

Make sure the O-RING is placed onto the bottom of Base Ring. Install faucet through Deck Plate. From underside sink, put Plastic Washer and Mounting Nut. Position Faucet on sink properly and tighten mounting nut.



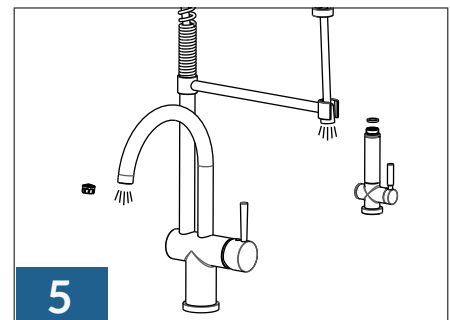
3

If necessary, tighten screws using an adjustable wrench until the faucet is firmly connected to the sink.



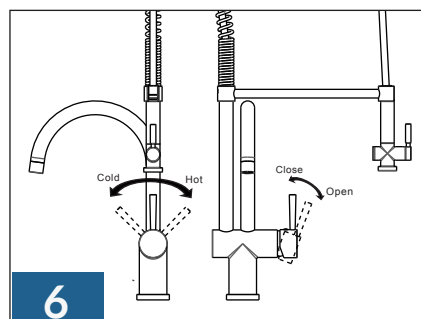
4

Connect hot and cold water supply lines to the Water Supply Valves



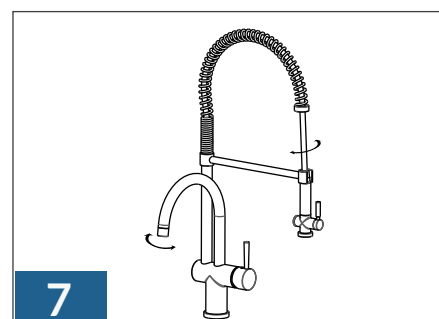
5

After installation is complete, remove Spray head and rotate handle to the close position. Turn Water Supply Valves on, and check all connections for leak. Flush faucet by running hot and cold water in full position for one minute. Re-tighten the Spray Head.



6

Lift the handle up, the cartridge will be activated allowing water to flow. The water flow will increase by continuing to rotate handle. By rotating the handle to the right, the water temperature will decrease to cold flow only. By rotating handle to the left, the water temperature will increase to hot only.



7

Swing Spout



READ ALL INSTRUCTIONS BEFORE UNPACKING THE PRODUCT

INSTRUCTIONS THAT, IF IGNORED COULD RESULT IN DEATH OR SERIOUS INJURY CAUSED BY INCORRECT HANDLING OR INSTALLATION OF THE PRODUCT. THESE INSTRUCTIONS MUST BE OBSERVED FOR SAFE INSTALLATION.



INSTALLATION OF LESSCARE PRODUCTS BY AN
INEXPERIENCED INSTALLER MAY RESULT
PERSONAL INJURY OR DEATH!



LessCare reserves the right to change, update, modify, alter, redesign this manual/product or its policies without prior notice!
It is your responsibility to visit website to download or contact customer service for the most updated version of the installation instructions.

LessCare shall not be liable for any injuries or property damages in connection with this product during installation or use of this product!

LessCare products must be installed by a fully insured and licensed plumber only. Installation of any LessCare product by anyone other than fully insured and licensed plumber shall void limited warranty. LessCare recommends that such licensed plumber have experience in the installation of products.

Limited warranty is void on any commercial installation

LessCare is not responsible for local code compliance for this product. Building and plumbing codes may vary from state-to-state in accordance to your location. LessCare is not responsible for providing any compliance certifications.

LessCare is not responsible to provide any type of certifications for this product

Under no circumstances LessCare shall not be liable for any and all incidental damages sustained in connection with this product

Neither manufacture, nor distributor, nor retailer is responsible for water damage or flood caused due to use of this product.

Under no circumstances LessCare shall not be liable for any and all fees, cost of installation/reinstallation/removal, subsequent damage or transportation in case of the product defect

Maintenance & Care

IMPORTANT!

DO NOT USE: Abrasive cleaners such as: acid, ammonia, bleach, and similar solutions. Use of such solutions may cause corrosion, finish peeling, and/or dull the surface.

DO NOT USE: Abrasive sponges or cloth. Never use steel, wool, or wired brushes that will permanently scratch the surface.

Retain these installation instructions for future reference!



Thank you for using LessCare products!