



**Before installing the product, please read the instructions carefully**

### CAUTION:

- Before wiring to power supply, turn off electricity at fuse or circuit breaker.
- Installation and servicing should be performed by qualified personnel only.
- Failure to follow the above safety instructions can lead to serious injury, fire and damage to the LED fixture.
- This fixture will only work with 120VAC input power supply. Any other power supply may damage or destroy the fixture.
- Suitable for damp locations.
- Products damaged due to incorrect installation will not be covered by warranty.

### Installation:

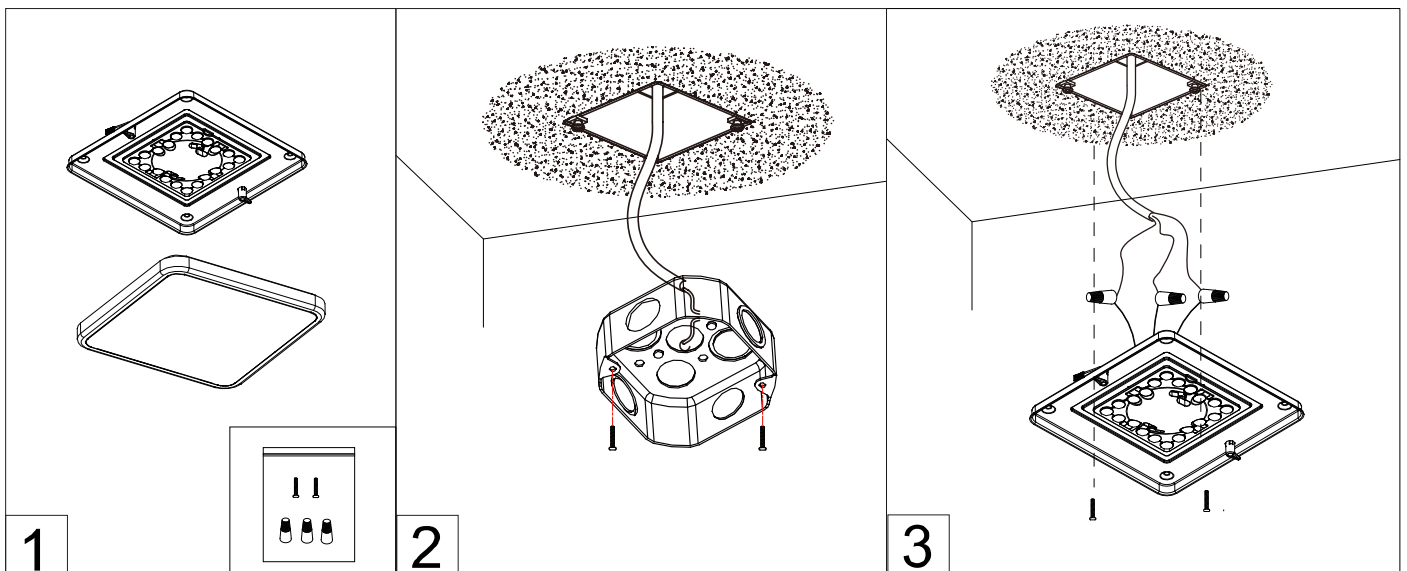
- Turn off the electrical supply before installation.

STEP1: Before installation, remove the luminaire and accessories package from the carton.

Remove the plastic lens from the luminaire by rotating the lens latches until the lens is free.

STEP2: Thread the enclosed mounting screws into junction box mounting holes, and partially tighten the screws.

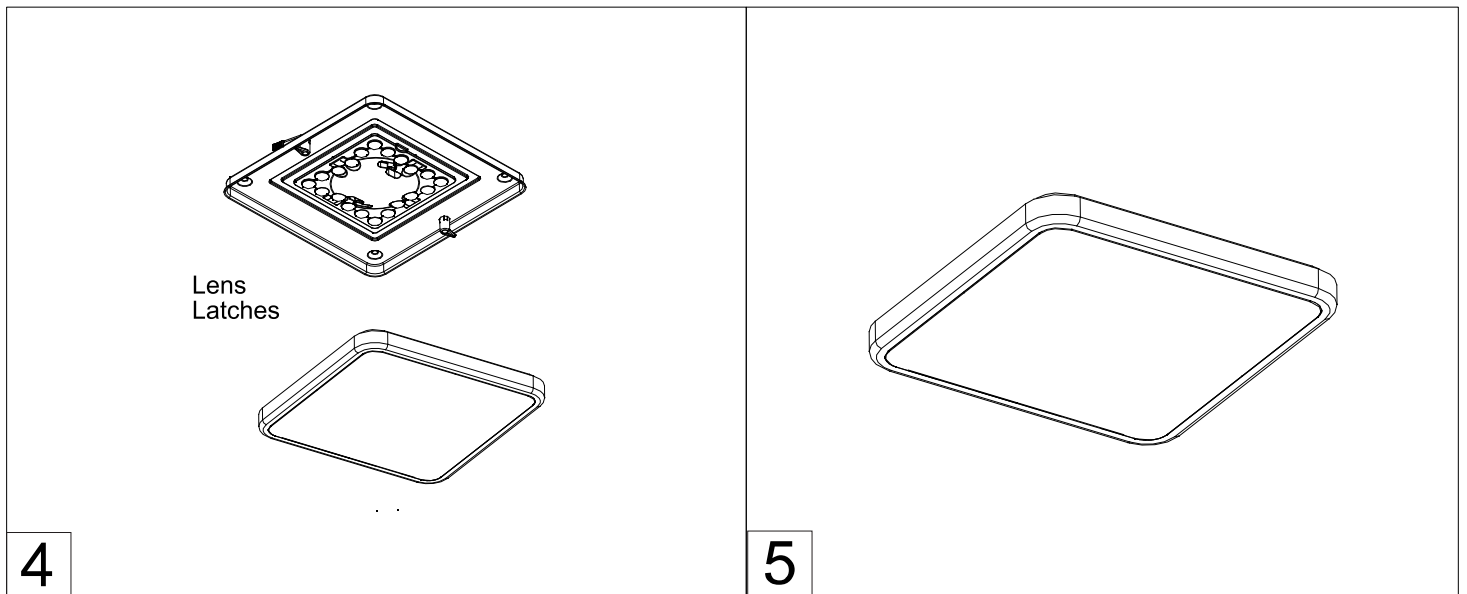
STEP3: Pull the power supply wires out from the junction box. Using wire nuts, connect the black supply wire (hot) to the black luminaire wire, the white supply wire (neutral) to the white luminaire wire, and the supply ground wire to the green luminaire wire. Wrap all wire connections with electrical tape for a secure connection.



STEP4: After all wiring connections are secure, install the metal luminaire housing to the junction box by sliding the housing keyhole slots over the mounting screws. Rotate the luminaire housing clockwise until the screws slide into the narrow ends of the keyhole slots. Securely tighten the mounting screws.

STEP5: Attach the plastic lens to the luminaire housing by rotating the lens latches until the lens is securely in place.

STEP6: When the installation is complete, the luminaire should appear flush to the ceiling.



- Turn ON the electrical supply after installation is complete
- Turn the light switch ON to activate the luminaire.

For non-user replaceable light sources: "The light source contained in this luminaire shall only be replaced by the manufacturer or his service agent or a similar qualified person."



Caution, risk of electric shock