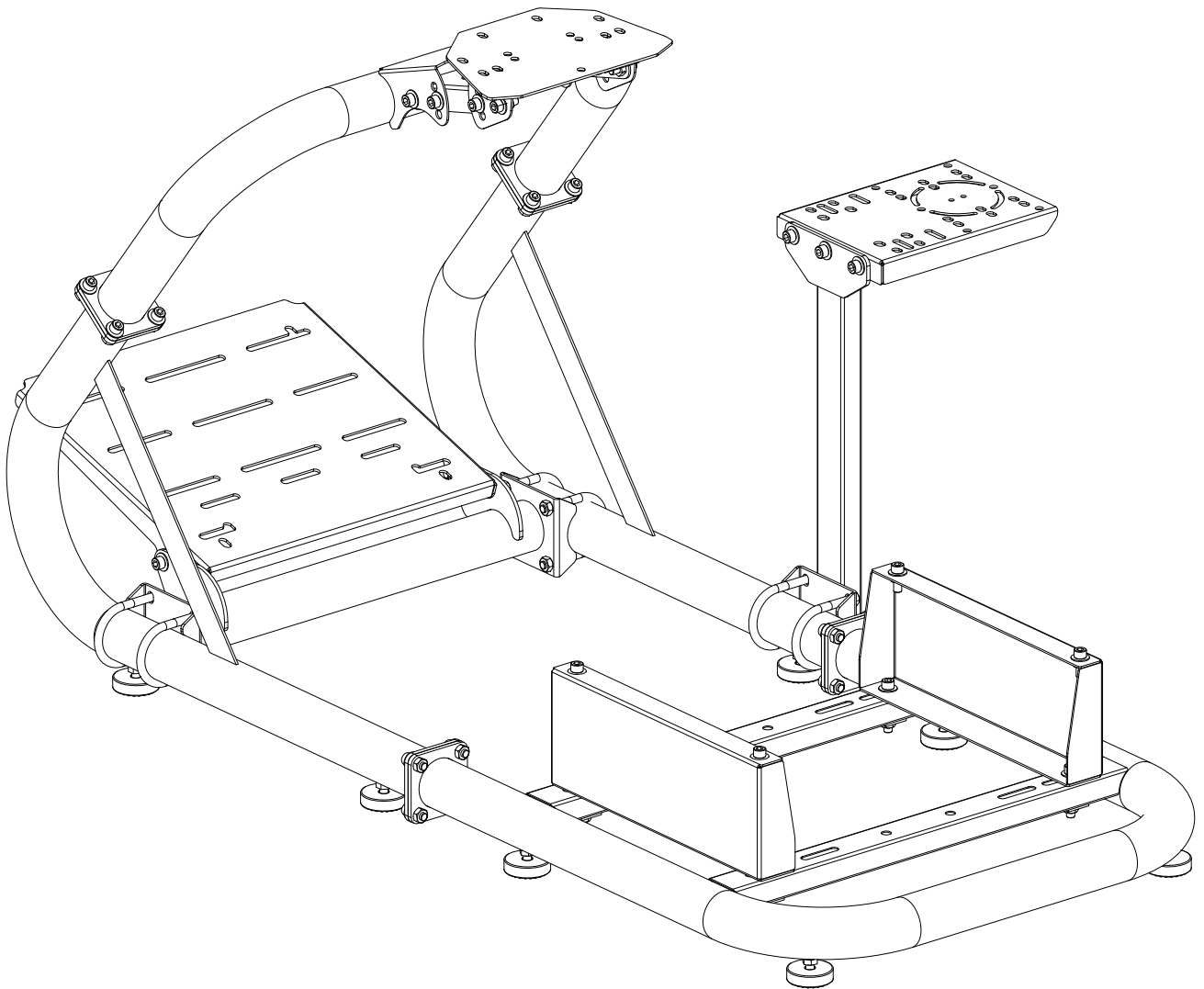
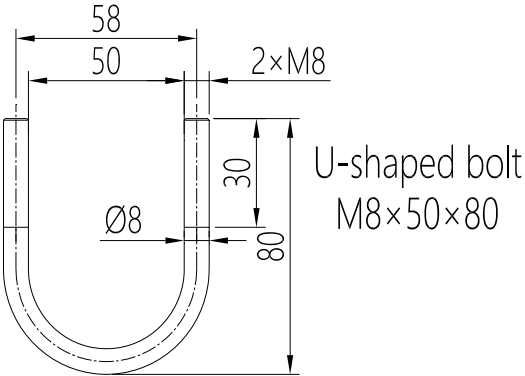
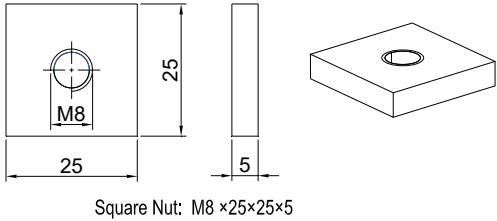
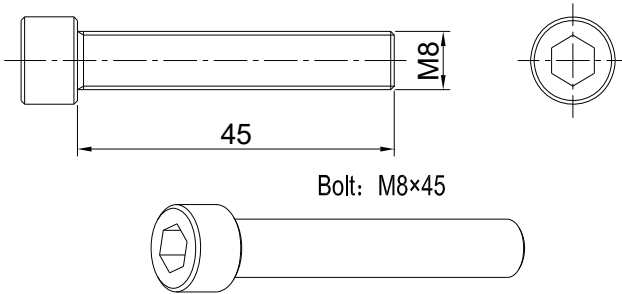
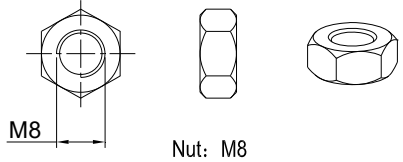
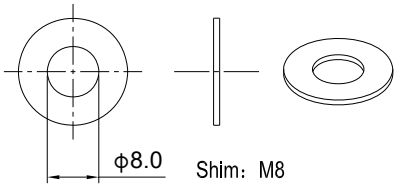
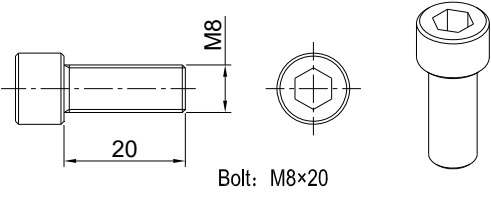
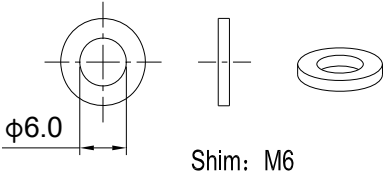
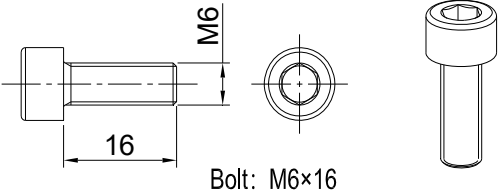
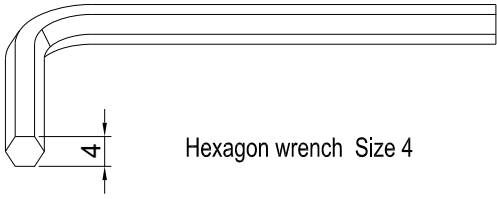
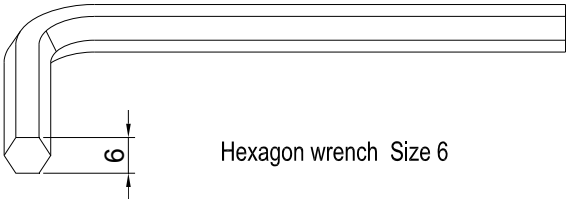


## Product Assembly Manual

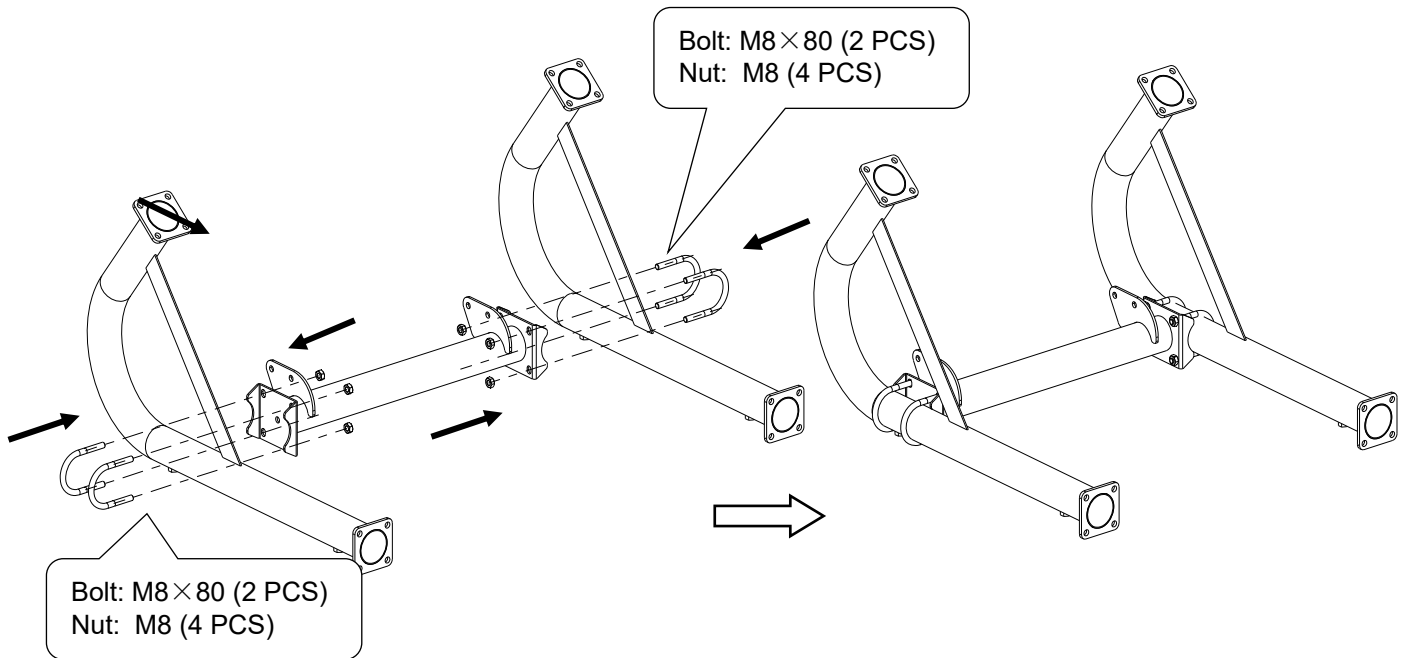


# accessories explanation

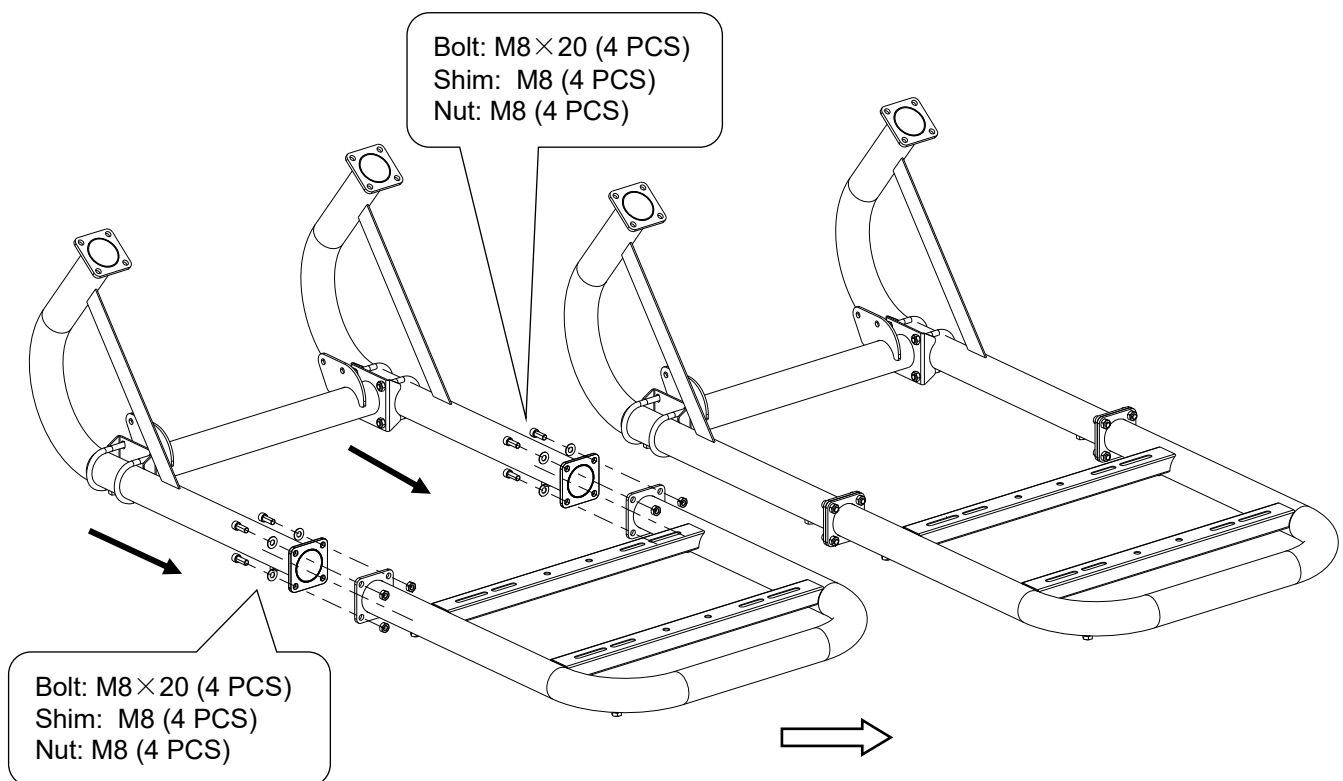


# Assembly Processes

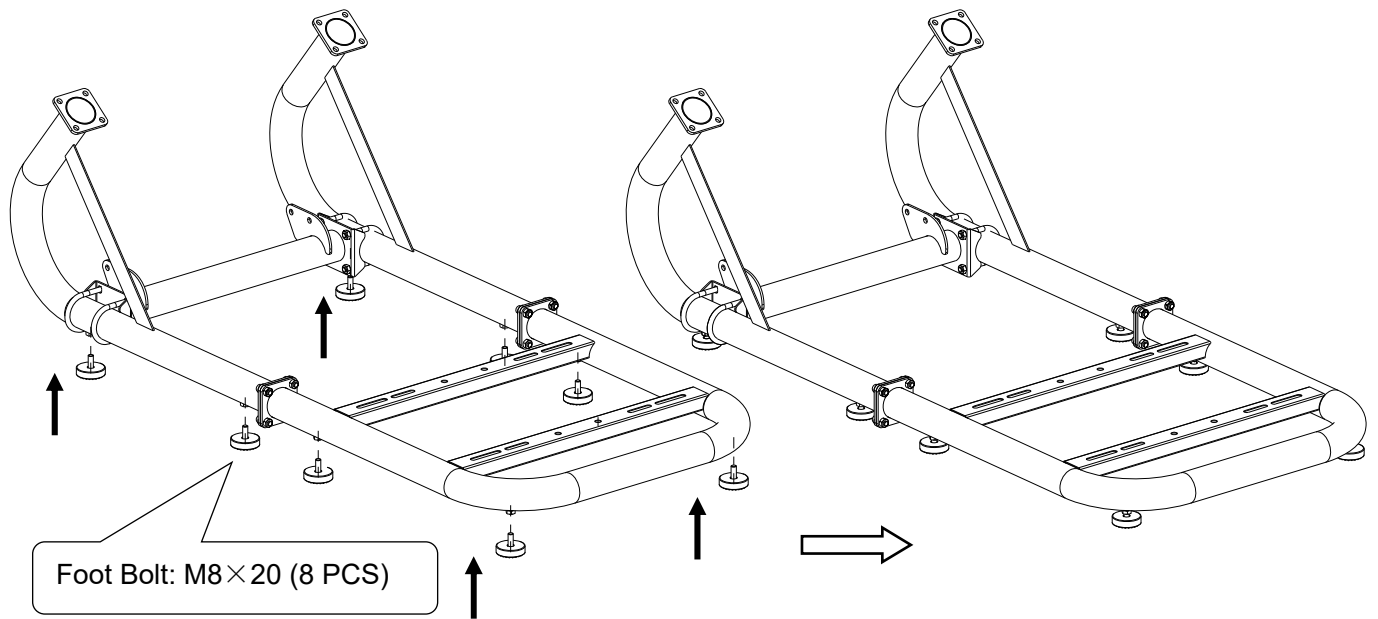
1. Assemble the connecting bracket with 4 pieces of the U-shaped bolt(M8×80 ) and 8 pieces of the Nut (M8)



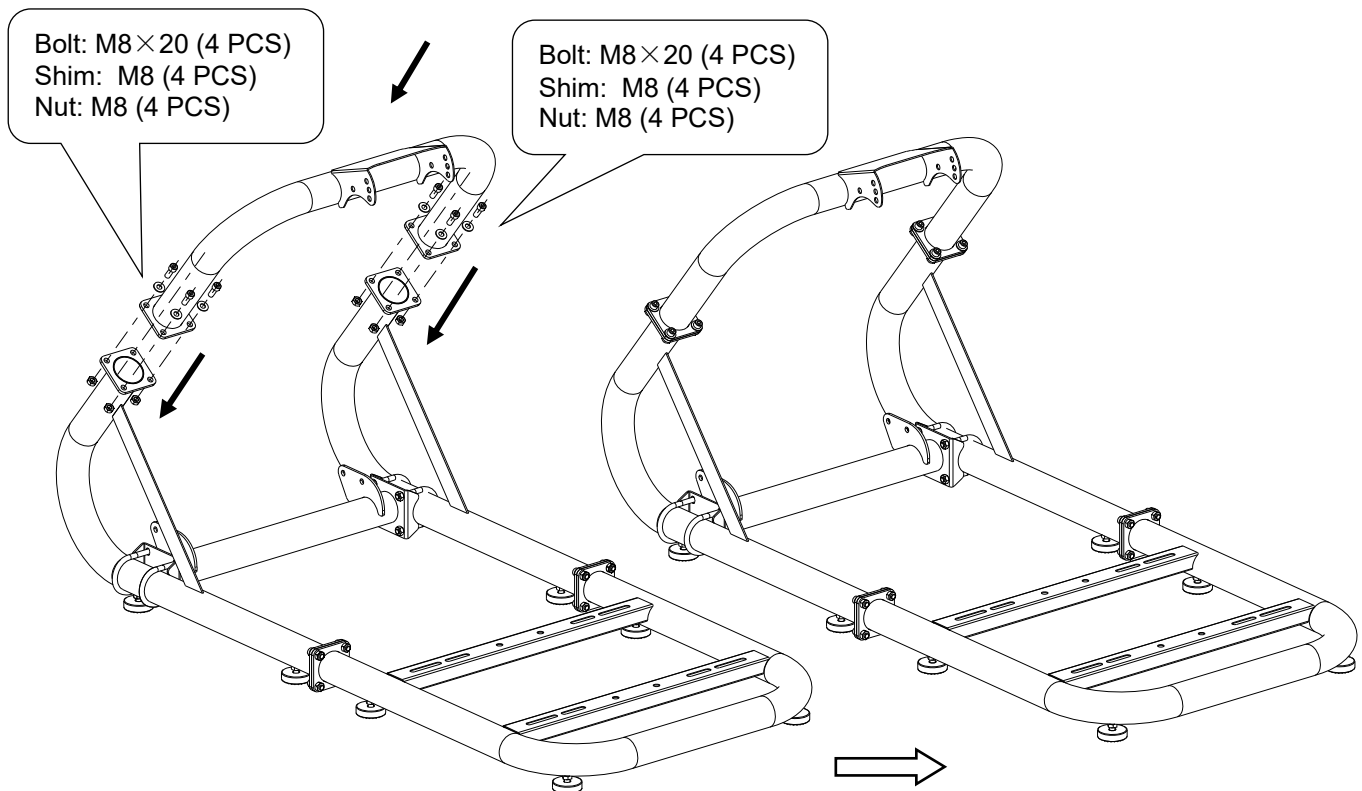
2. Assemble the frontpart bracket on the left and right with 8 pieces of the bolt(M8×20 ) 、 8 pieces of the shim (M8) and 8 pieces of the nut (M8)



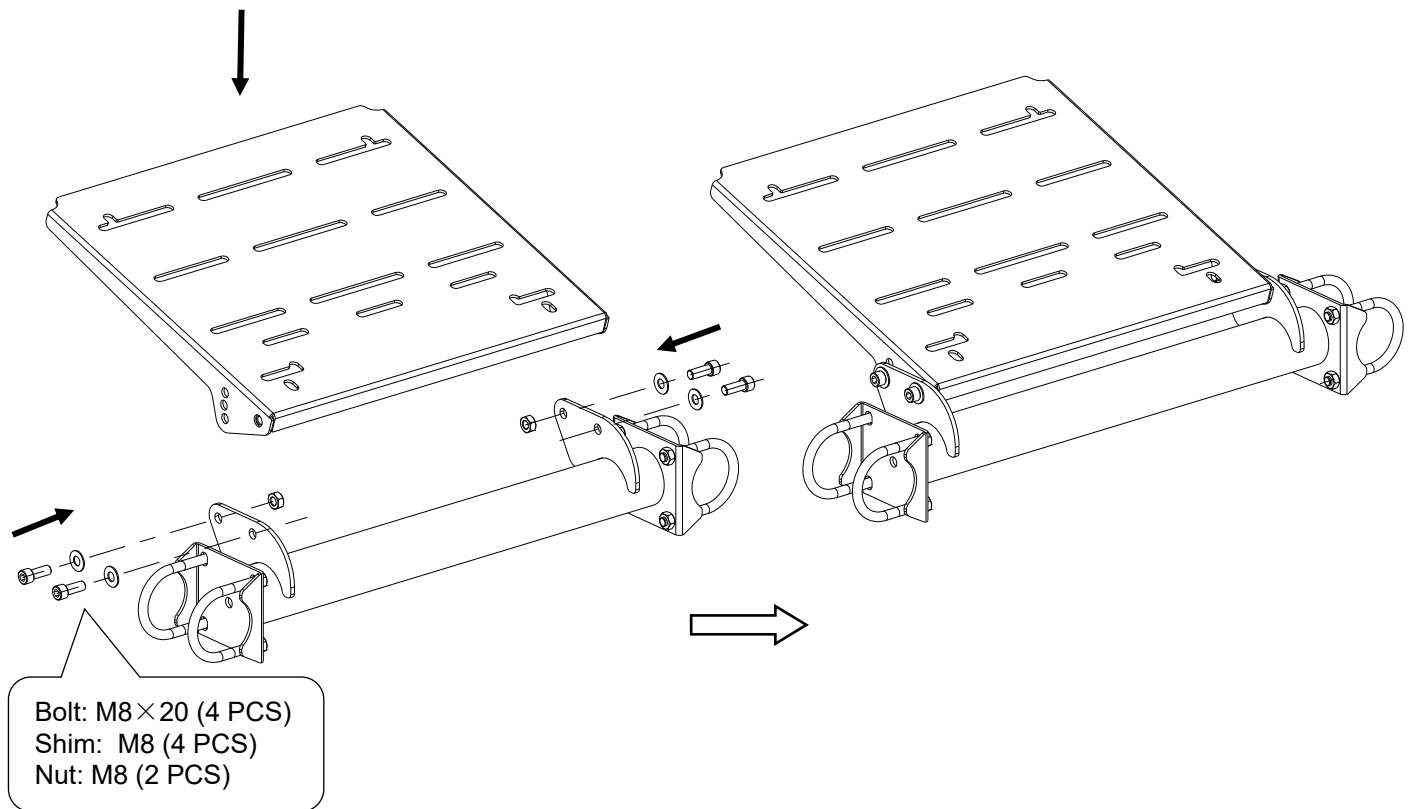
3. Assemble the anti-skid foot bolt(8 pcs) to the stand



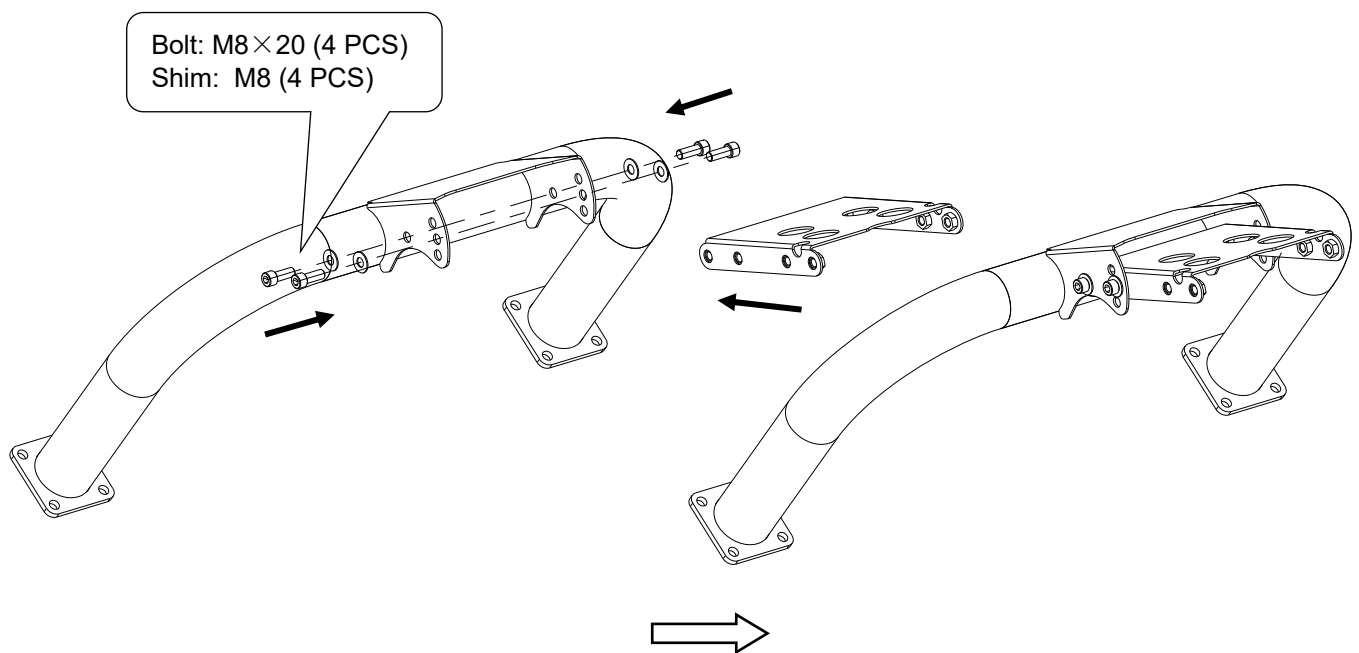
4. Assemble upper fixing bracket with 8 pieces of the bolt(M8×20 )、8 pieces of the shim (M8) and 8 pieces of the nut (M8)



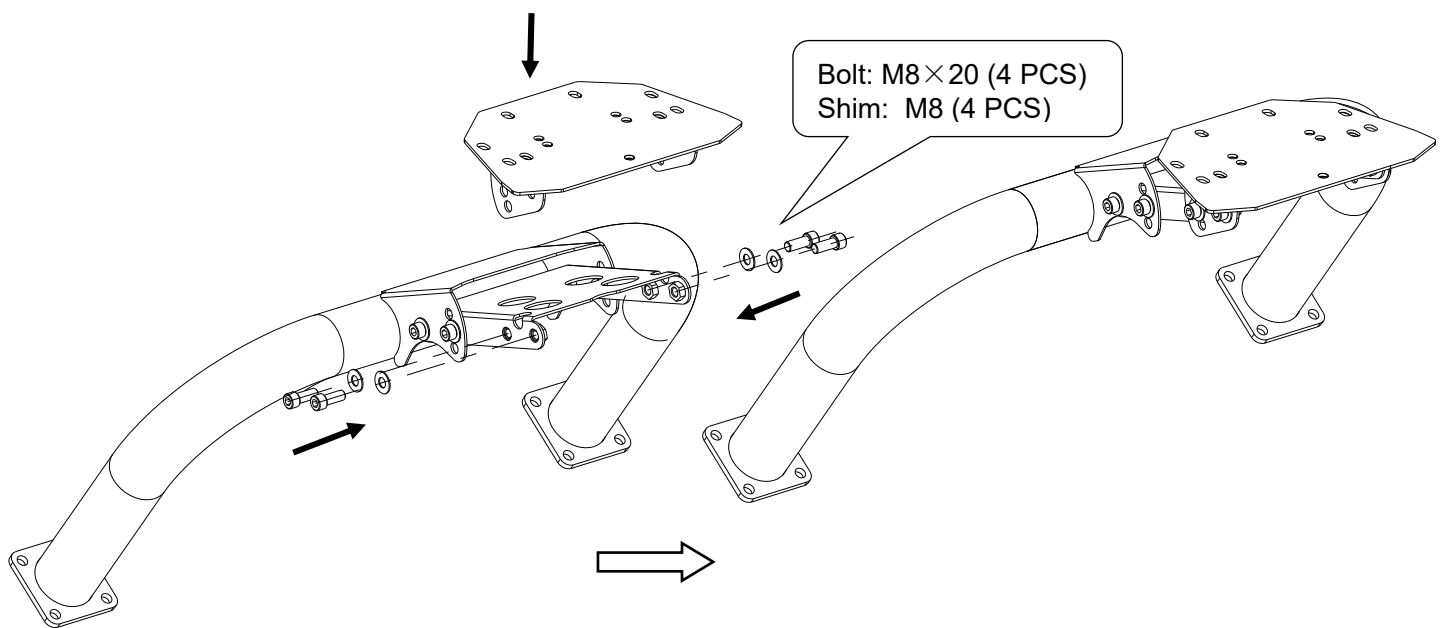
5. Assemble pedal connecting bracket with 4 pieces of the bolt(M8×20) 、 4 pieces of the shim (M8) and 2 pieces of the Nut (M8)



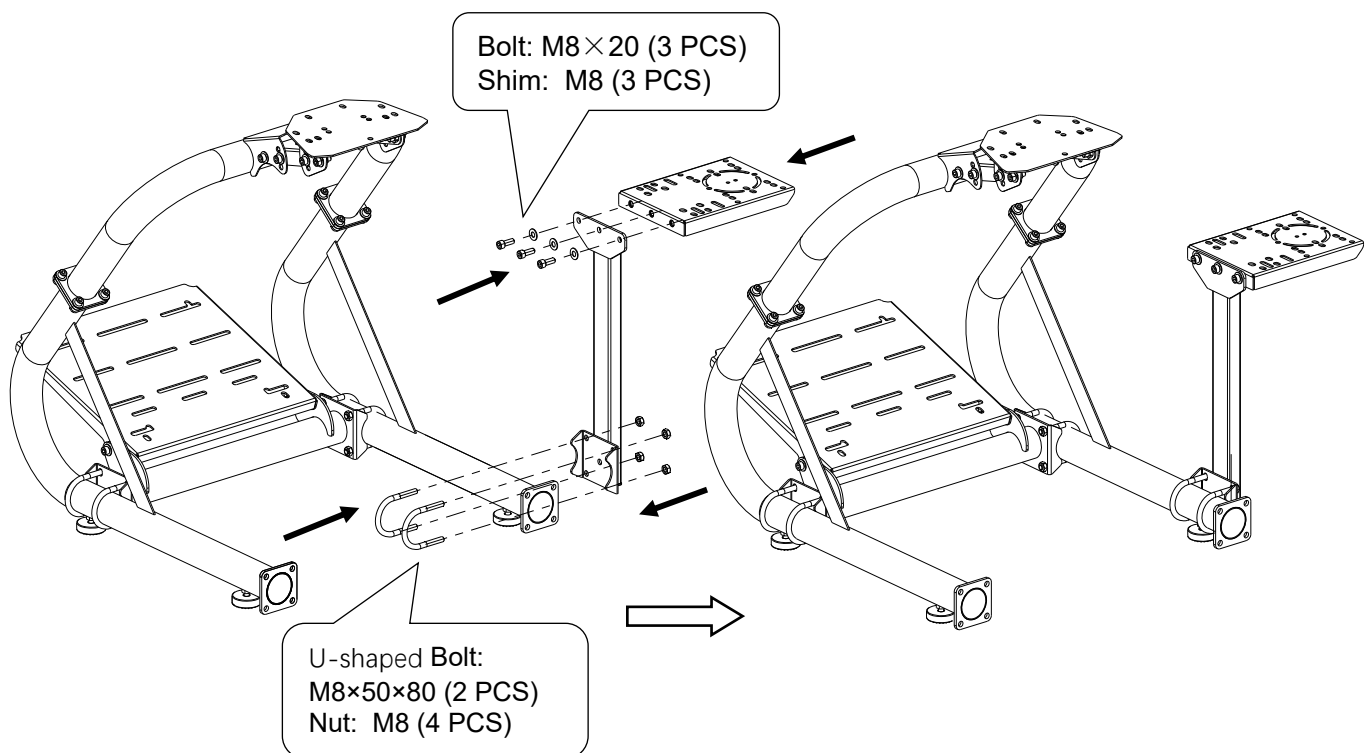
6. Assemble Steering wheel connection bracket with 4 pieces of the bolt(M8×20) 、 4 pieces of the shim (M8)



7. Assemble the steering wheel fixing bracket with 4 pieces of the bolt (M8×20) 、 4 pieces of the shim (M8)



8. Assemble the elbow fixing stand and fixing plate on the left or right as your like to the Seat stand with 3 pieces of the bolt (M8×20) 、 3 pieces of the shim (M8) 、 2 pieces of the U-shaped bolt(M8×50×80 ) and 4 pieces of the Nut (M8)



9. Assemble the seat adjustment stand with 4 pieces of the bolt (M8×45) 、 4 pieces of the shim (M8) and 4 pieces of the square nut (M8\*25\*25\*5)

