

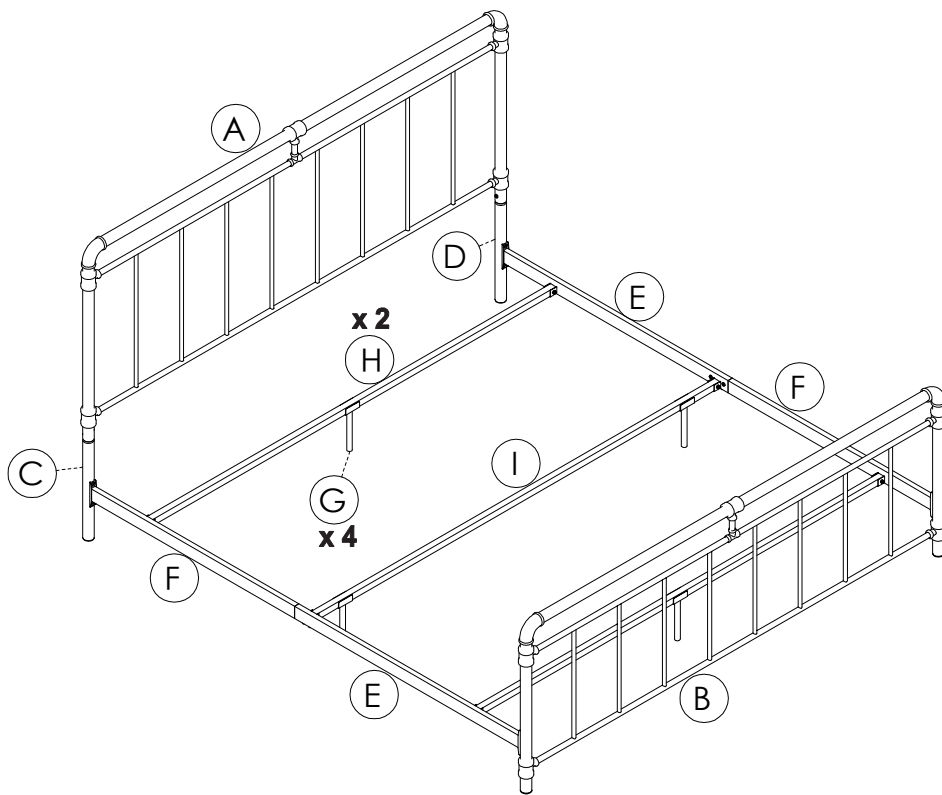
**INSTRUCTION MANUAL ENCLOSED**

**ATTENTION**

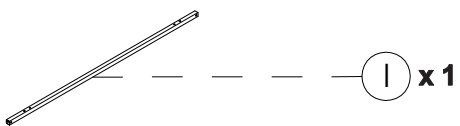
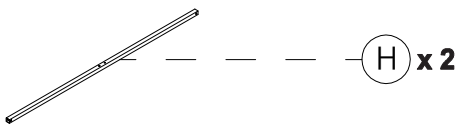
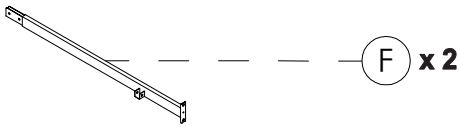
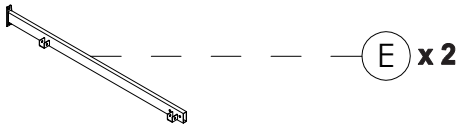
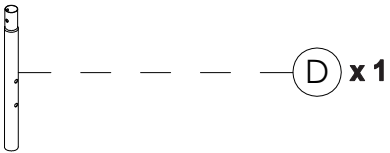
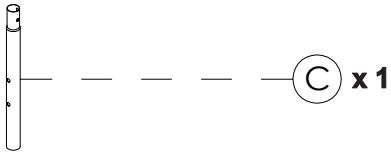
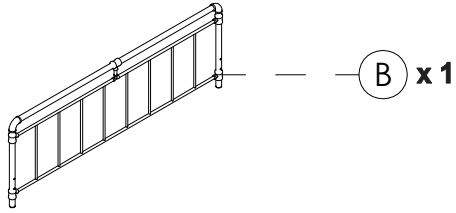
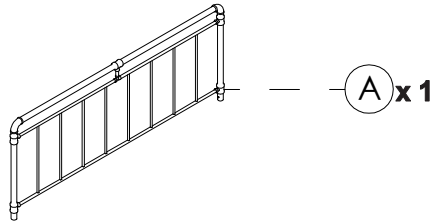
**IF YOU HAVE ANY PROBLEMS OR QUESTIONS, EMAIL OR CALL  
CUSTOMER SERVICE BEFORE YOU RETURN THIS PRODUCT  
TO THE STORE WHERE IT WAS PURCHASED.**

**INSTRUCTION MANUAL ENCLOSED**

# INDOOR METAL BED



# Components :



# Screws & Tools :

①	1/4"*17.5mm		x 22
②	1/4"*40mm		x 6
③	5/16"*19mm		x 8
④	1/4"		x 6
⑤	4mm		x 1
⑥			x 1

# PLEASE READ AND FOLLOW ALL SAFETY TIPS

## GETTING STARTED

1. Before assembly, CAREFULLY use scissors or utility knife to cut and unwrap all parts. Make sure you do not discard the hardware. Make sure that you have all the parts listed. If you are missing any parts, please email us.

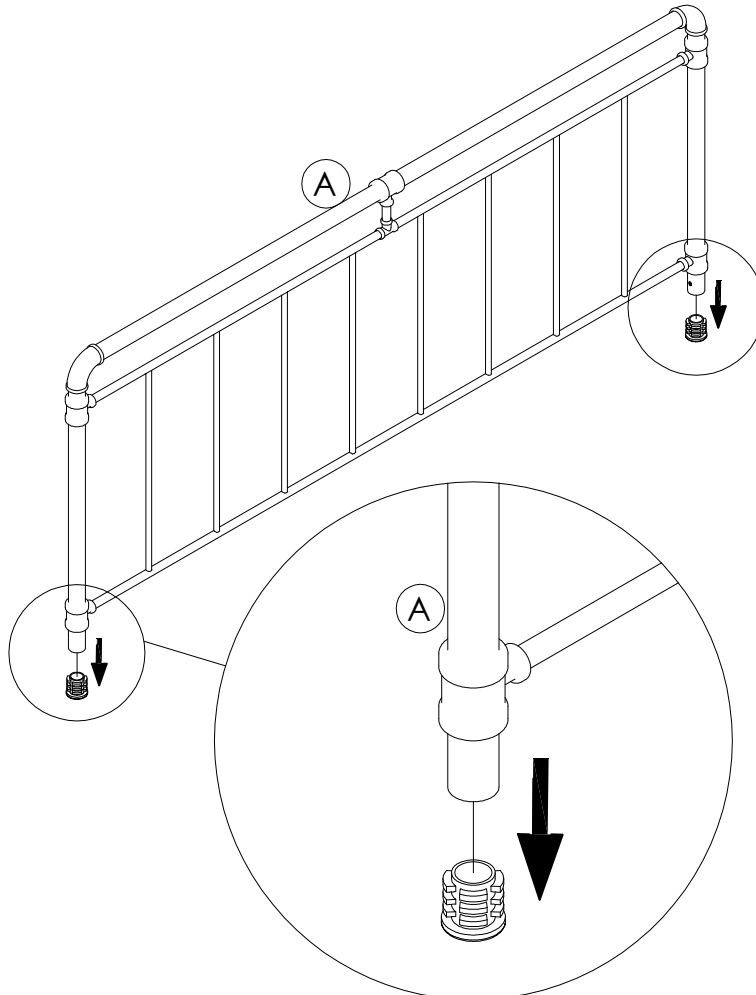
Please identify the parts you need and model number. Make sure to include your name and address.

### Warm Tips:

1. The plastic covers on some metal parts are just for product protection. Please remove it before assembly.
2. Please follow the sequence of AI during assembly.
3. Do not tighten the screws until all of them are in right positions.

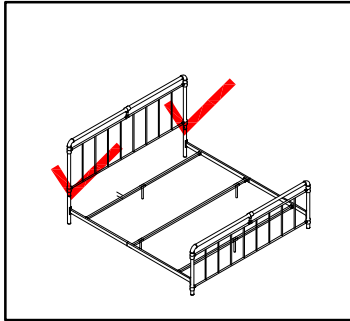
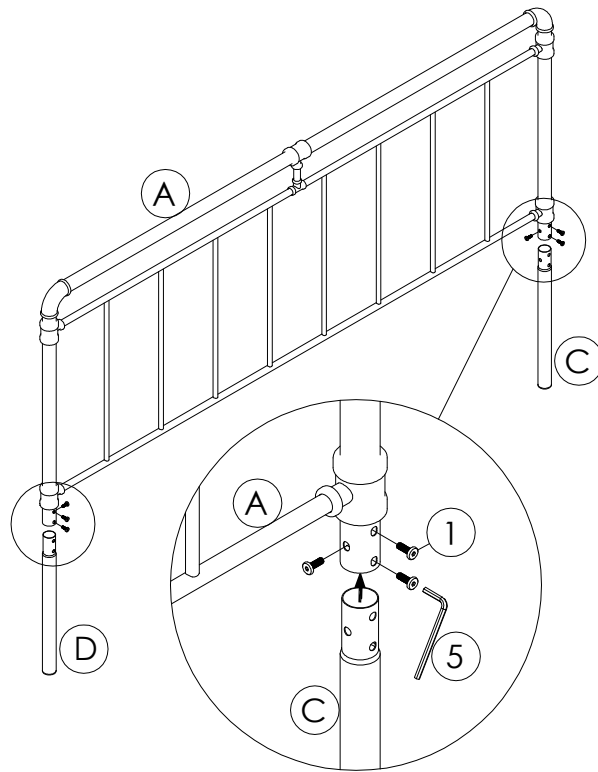
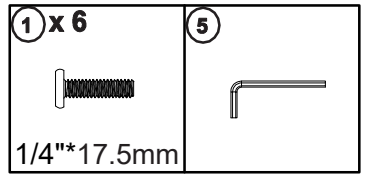
### Step 1

Headboard assembly, Take off caps before assembly.



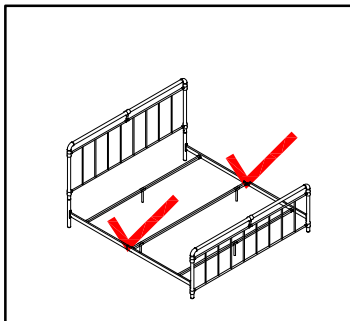
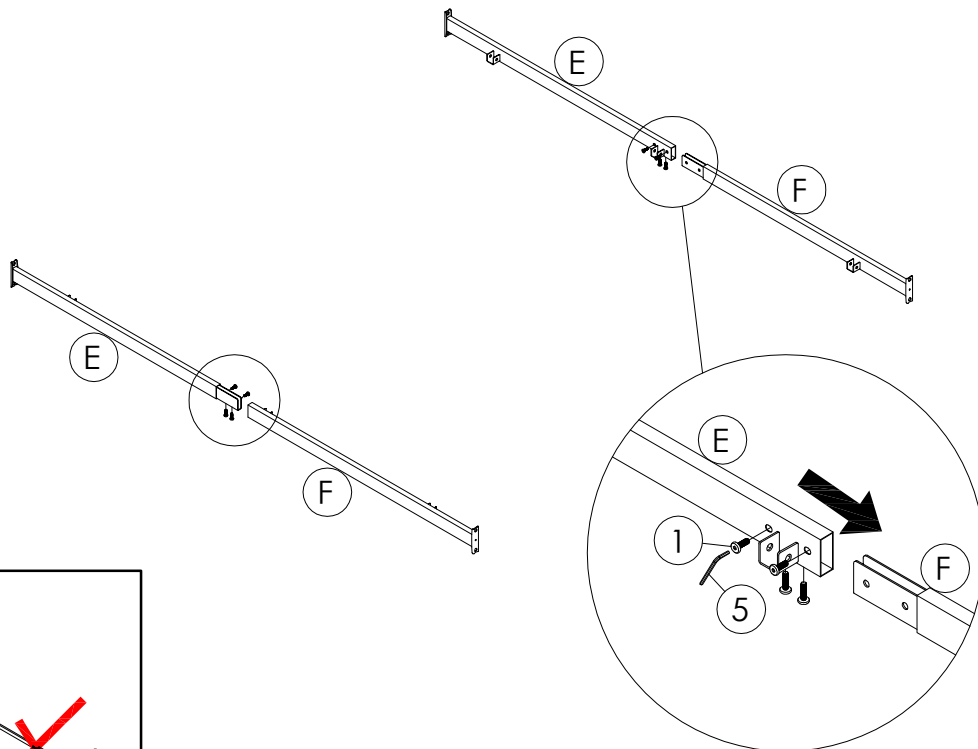
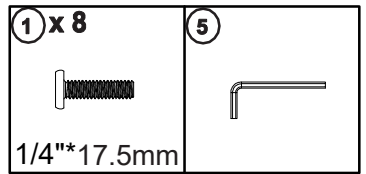
## Step 2

Connect (A) to (C) (D)







## Step 3

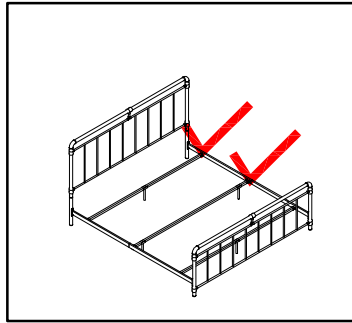
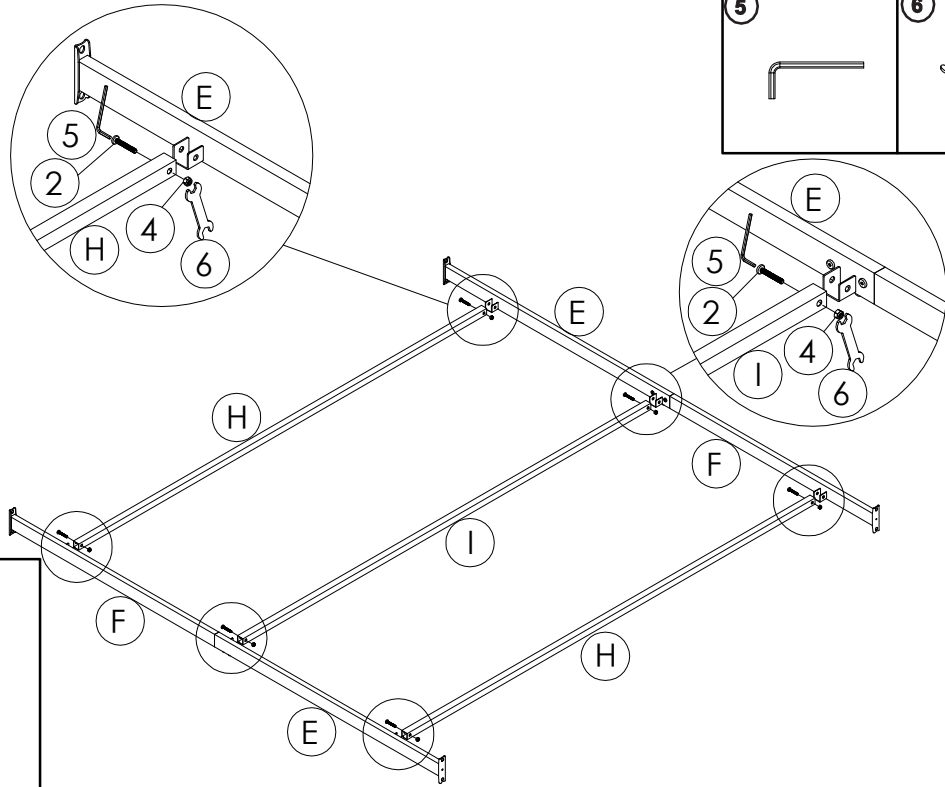
Connect (E) to (F)



### Step 4



Connect (H) (I) to (E) (F)

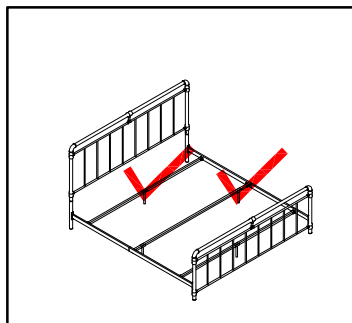
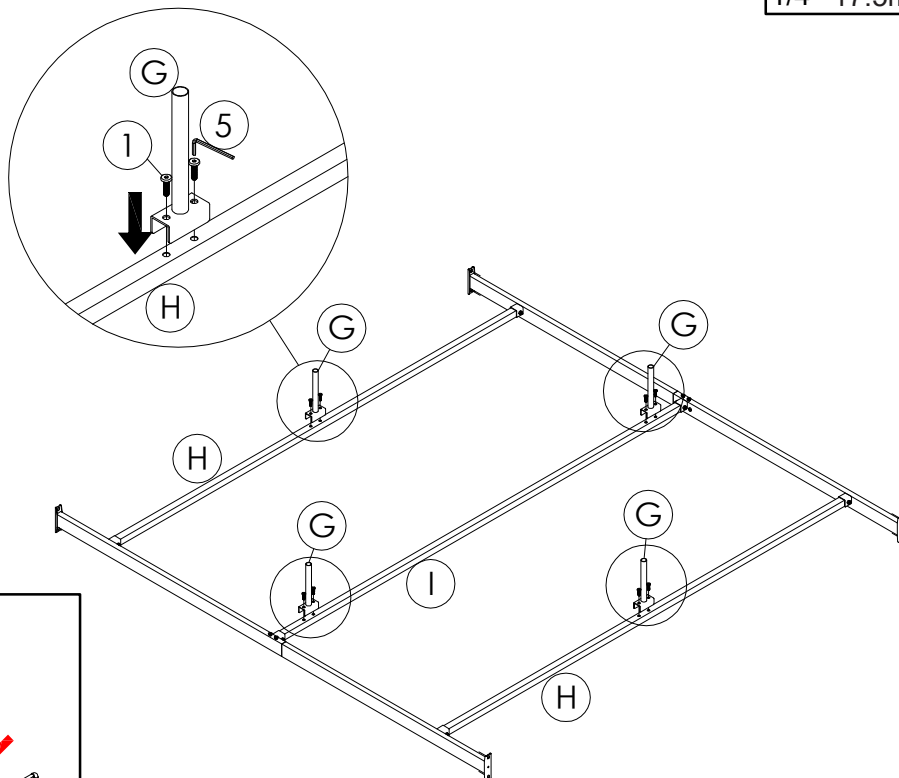
<b>2 x 6</b>  1/4" x 40mm	<b>4 x 6</b>  1/4"
<b>5</b> 	<b>6</b> 



### Step 5

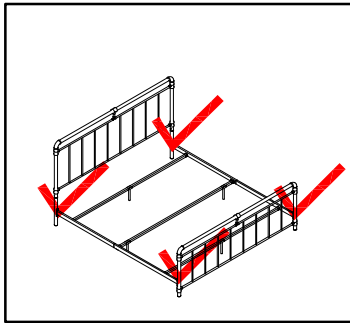
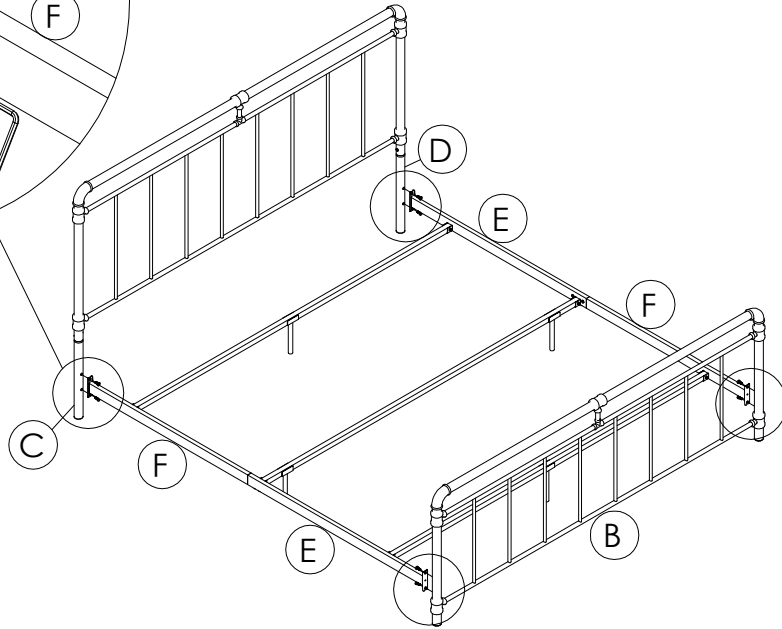
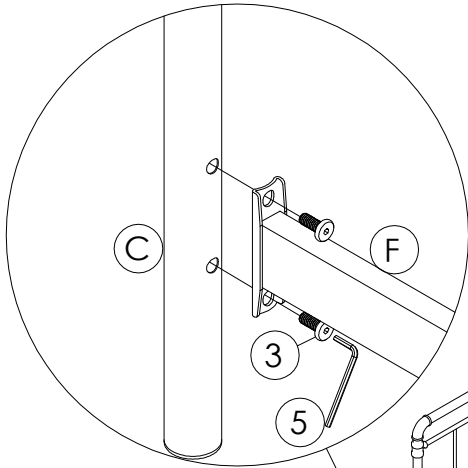
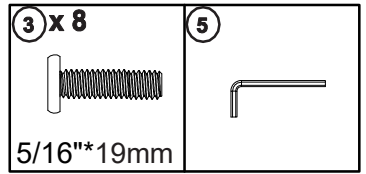
Connect (G) to (H) (I)

<b>1 x 8</b>  1/4" x 17.5mm	<b>5</b> 
--	---



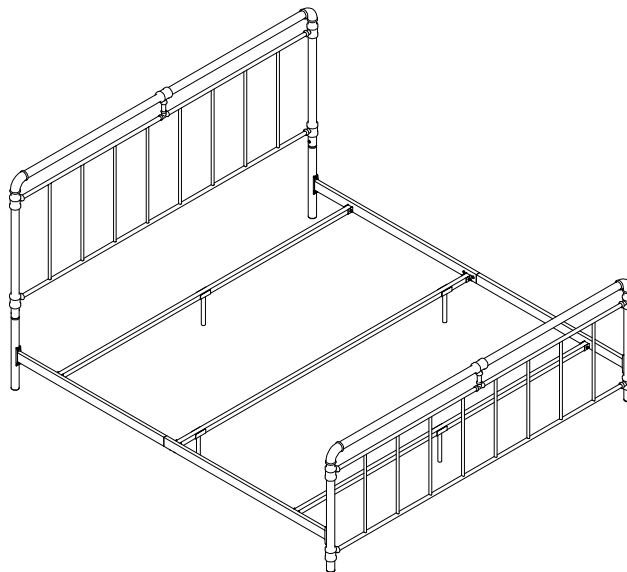
## Step 6

Connect (E) (F) to (C) (D) (B)



## Step 11

Check and tighten all screws.



For items use on wooden floor, hard surfaces or carpets, it is recommended to install protective pads under all legs and supports to avoid/prevent from damages/scratches and discoloration.

Um Verschleiss oder Kratzer auf Holzboden und Teppichen zu vermeiden, empfehlen wir, eine Schutzhuelle an den Bettbeine zu verkappen.