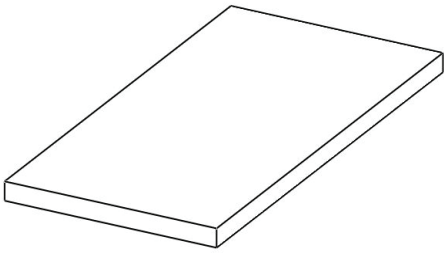


PARTS



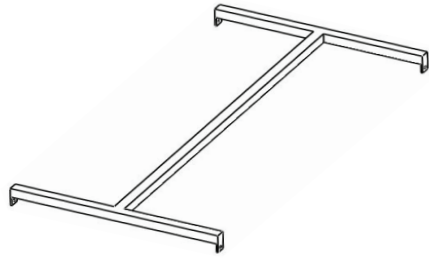
A



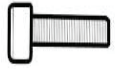
B x2



C x2



D

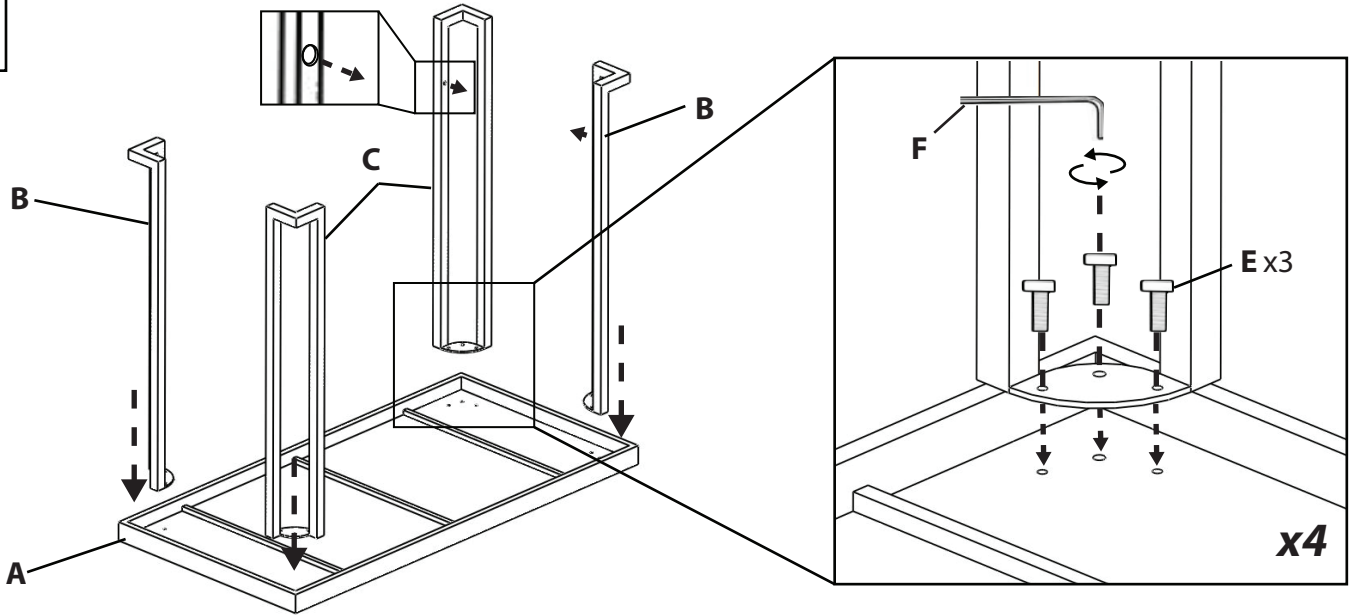


E x16



F

1



2

