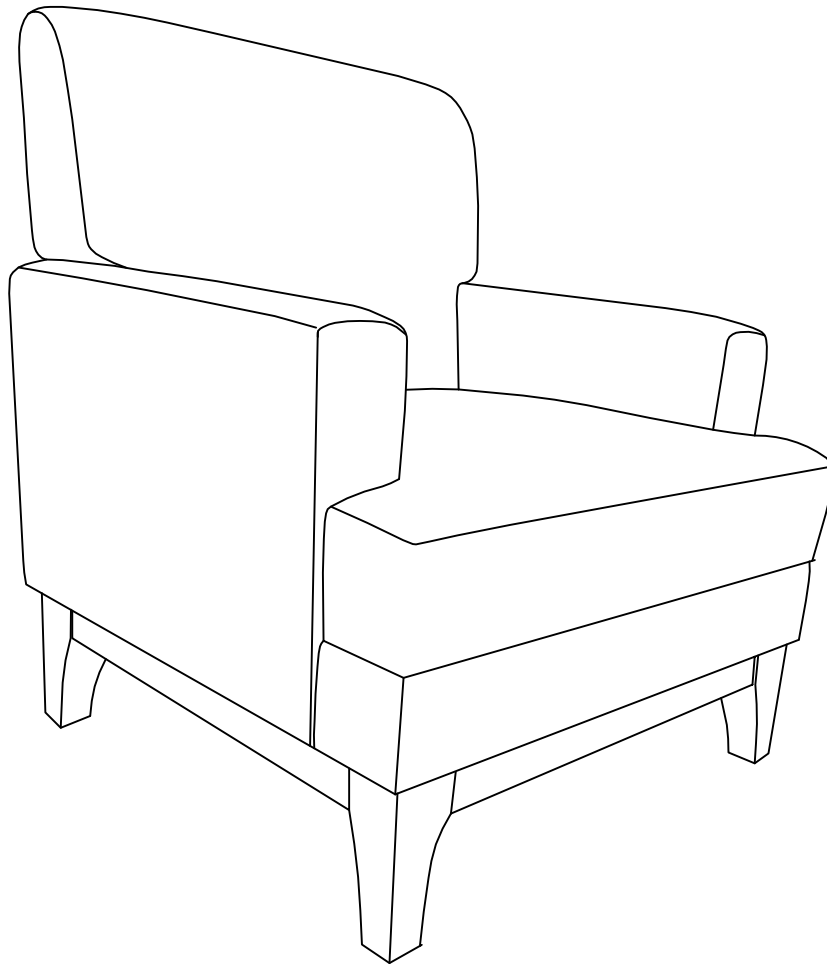
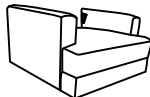



ASSEMBLY INSTRUCTION



①	CHAIR BODY		1 PC
②	CHAIR BACK		1 PC
③	LEG		4 PCS



A Allen key*1 (4mm)



B Bolt $\text{\O}5/16''\text{-}50\text{mm} * 8$

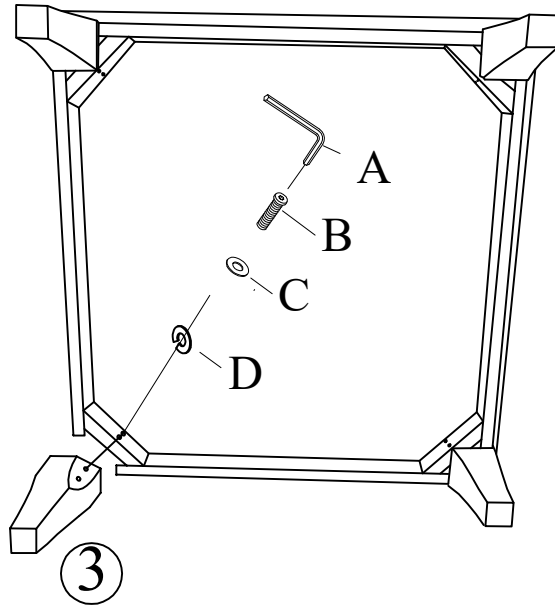


C Washer $5/16'' * 8$



D Spring Washer $5/16'' * 8$

STEP 1



STEP 2

