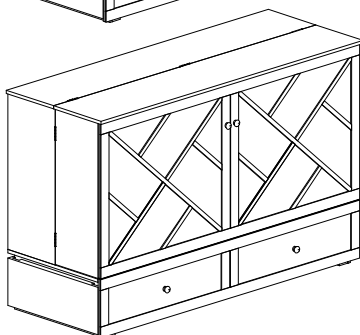
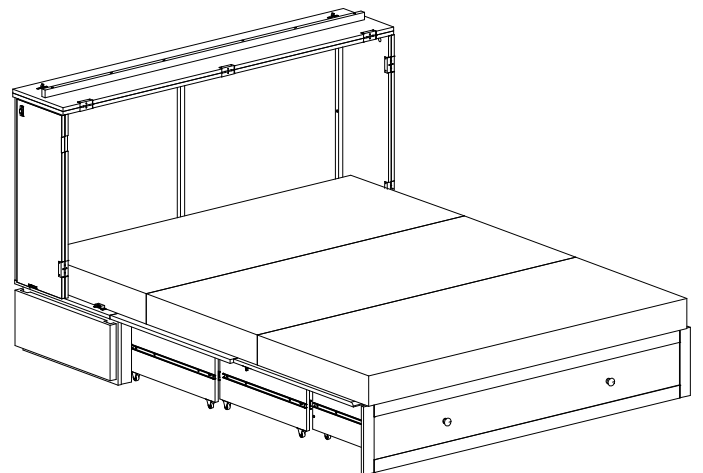
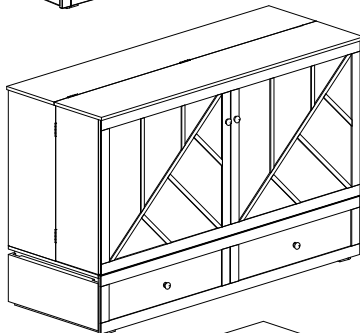
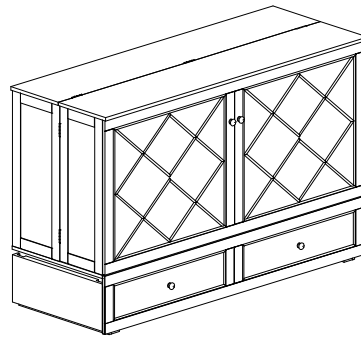
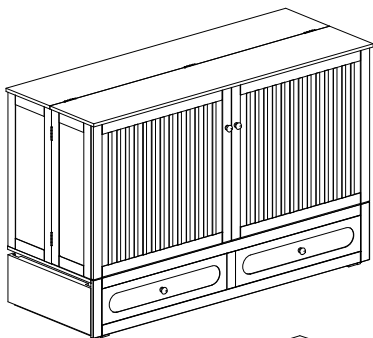
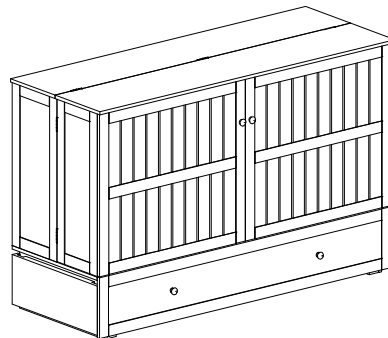
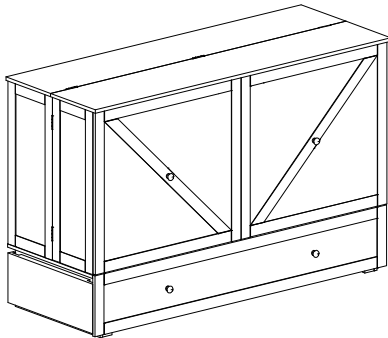
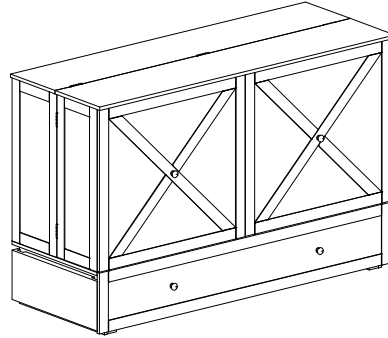
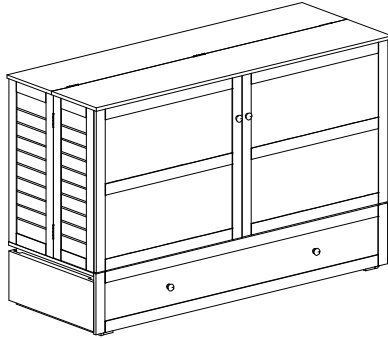


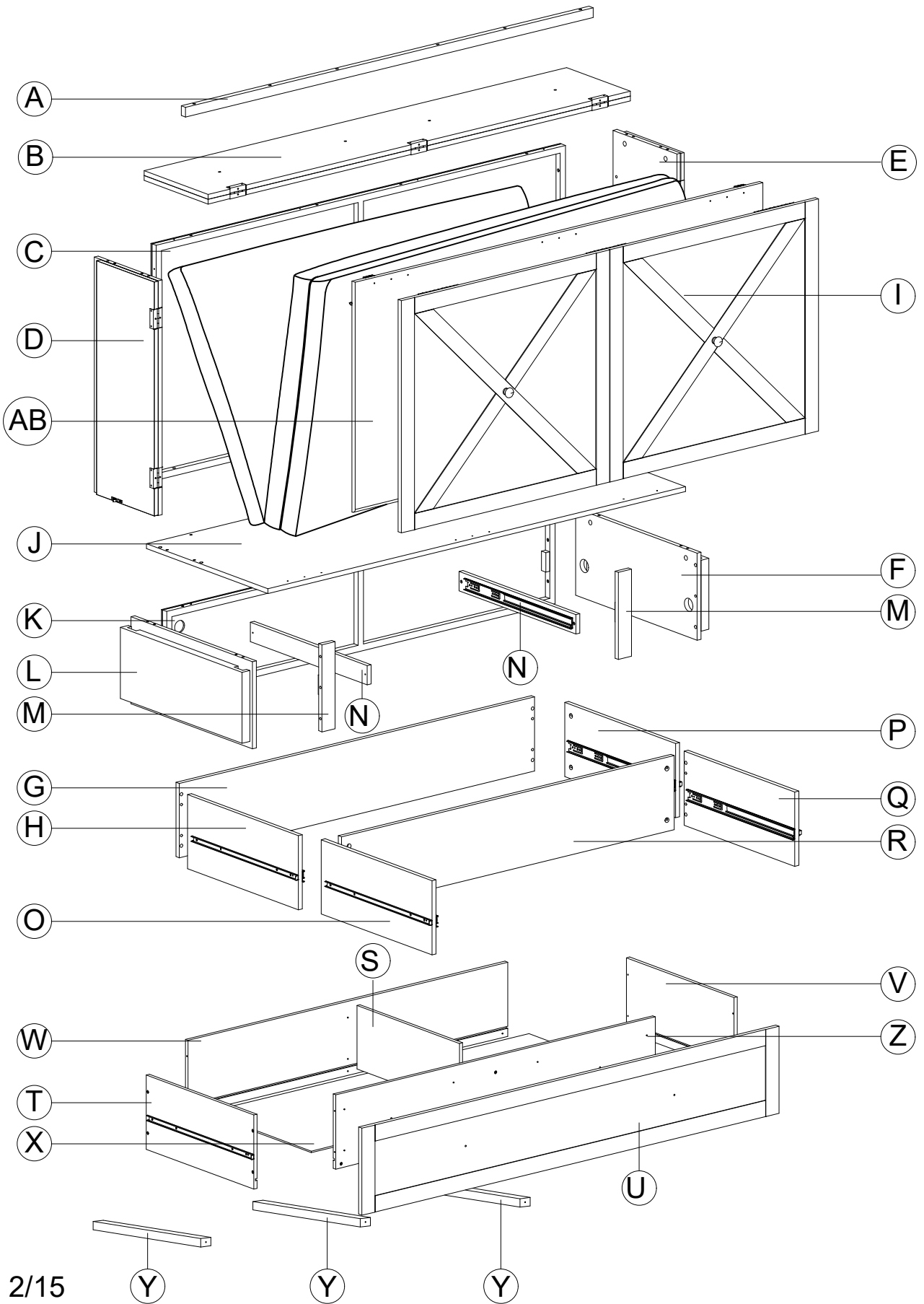
INSTALLATION GUIDE



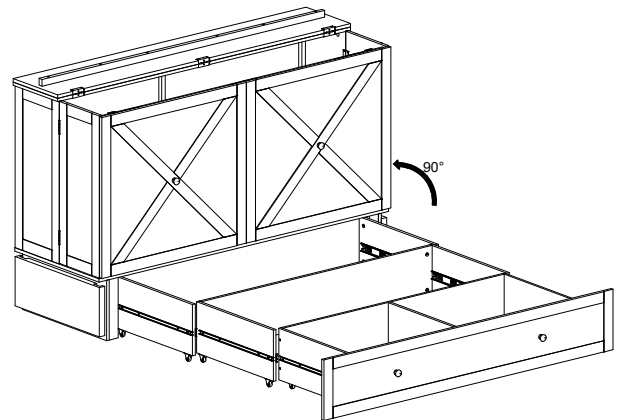
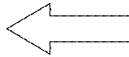
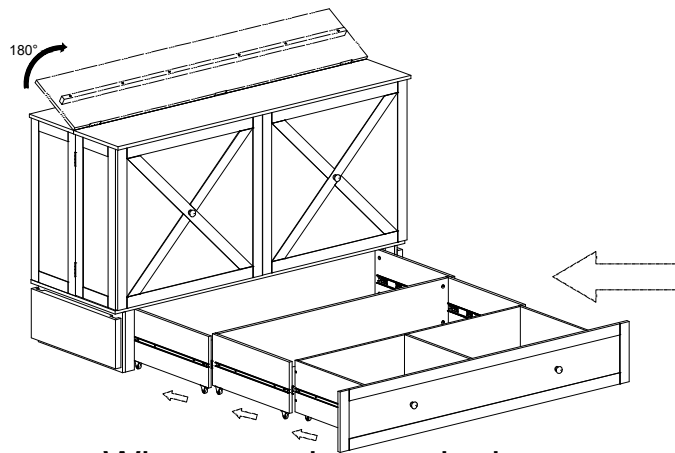
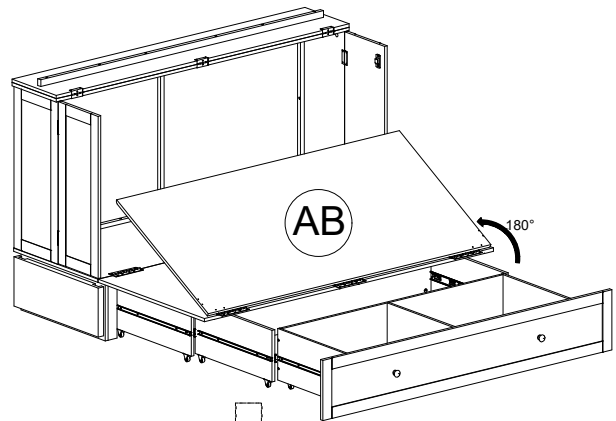
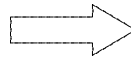
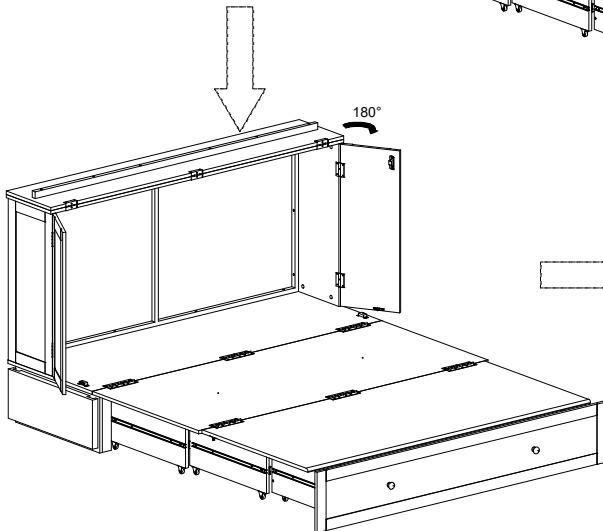
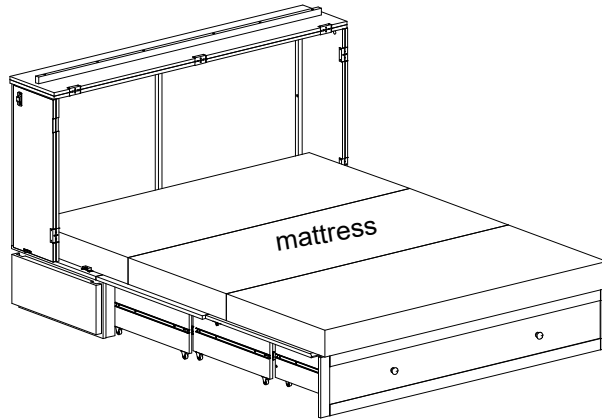
Suggest using electric tools for installation



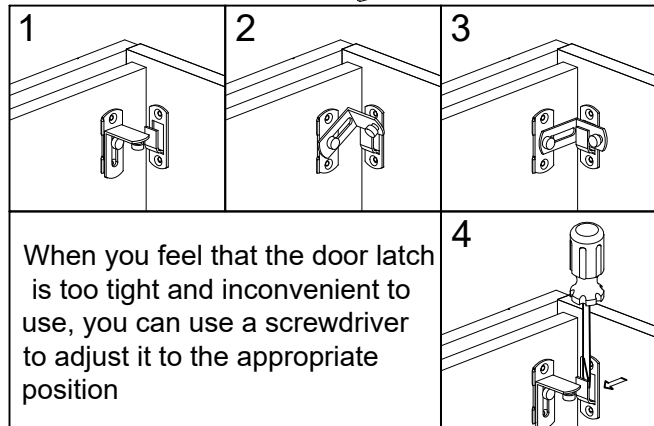
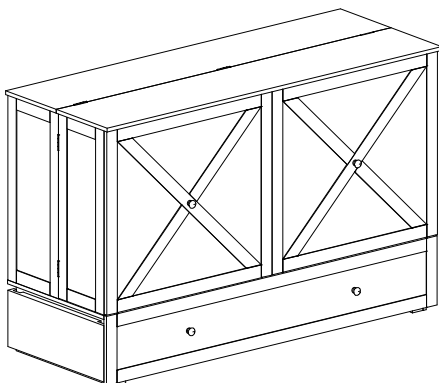
The Red Mark on component J represents the bottom surface



STEP 22



When opening or closing,
it is recommended to use both hands
to simultaneously push and pull



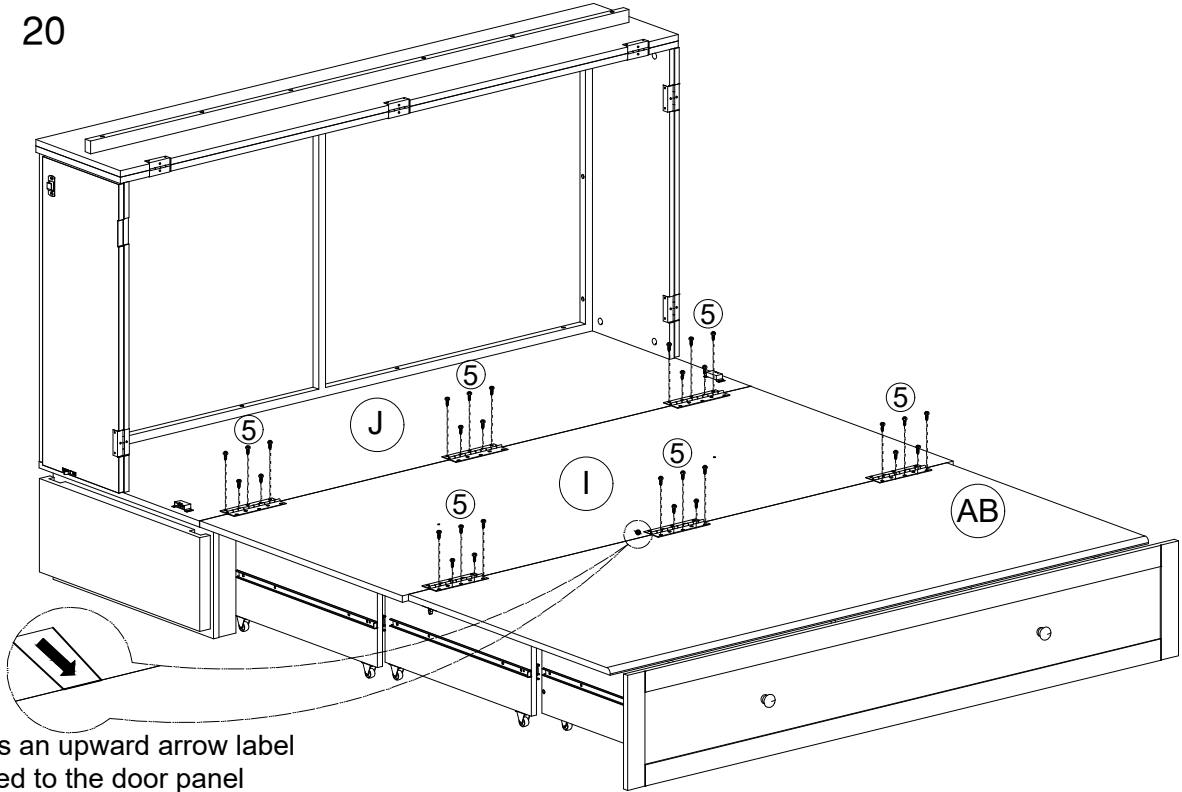
5



#7 x 3.5x14

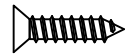
30 PCS

STEP 20



There is an upward arrow label attached to the door panel

5



#7-φ3.5X14

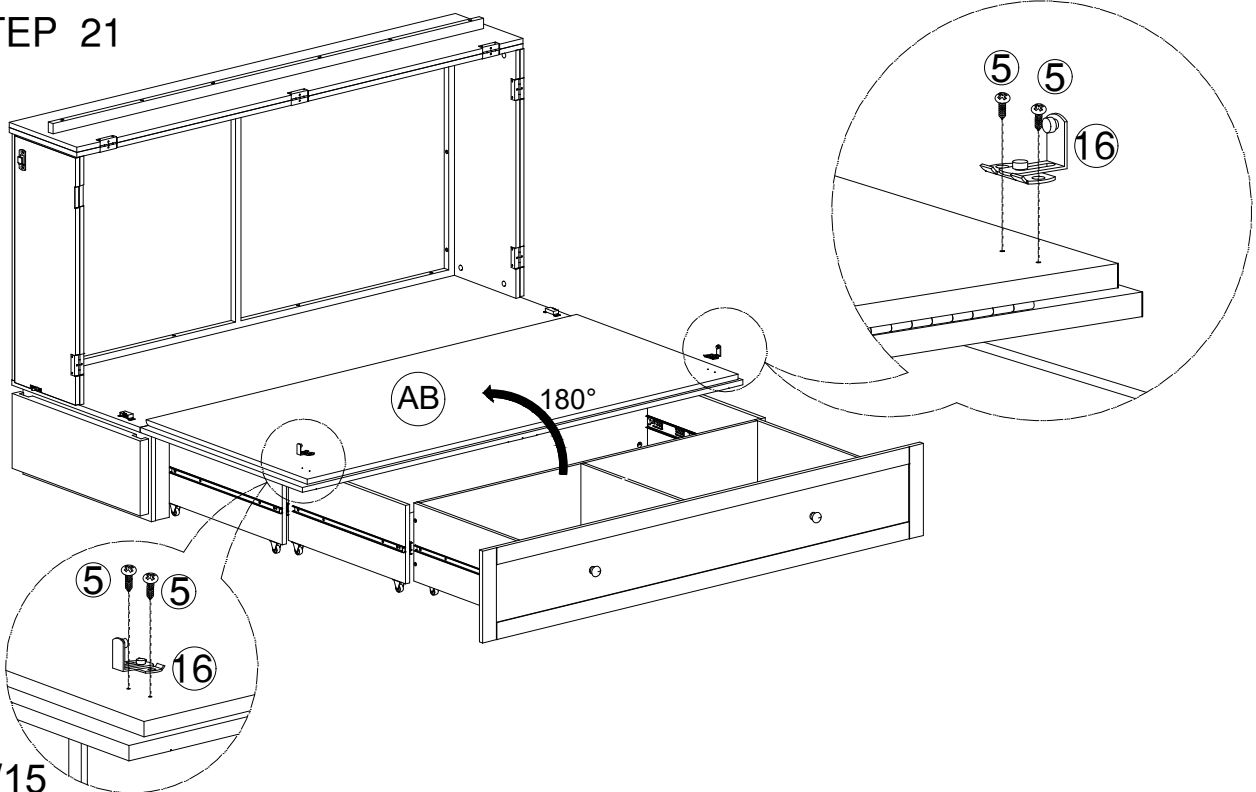
4 PCS



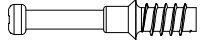

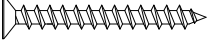





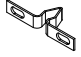
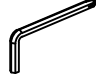
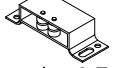
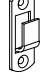

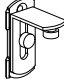
16





2 PCS

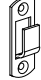
STEP 21

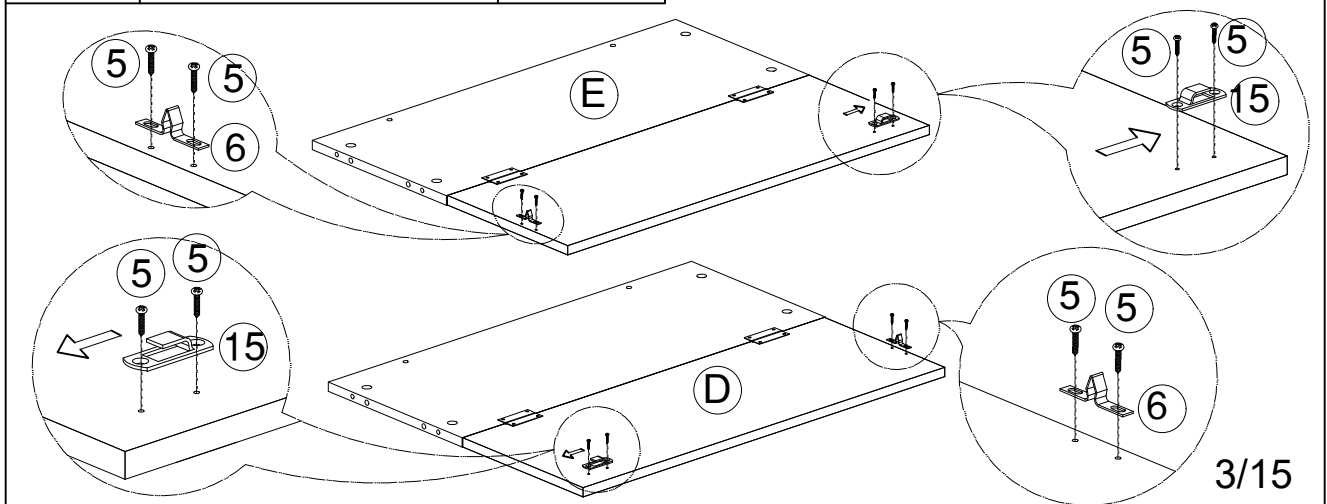


①	 KD Cam	24 PCS	⑨	 M4 X 25mm	2 PCS
②		24 PCS	⑩		4 PCS
③	 #8-Ø4X30	50 PCS	⑪		1 PCS
④	 8 x 30MM	42 PCS	⑫		14 PCS
⑤	 #7-Ø3.5X14	76 PCS	⑬	 #8-Ø4X20	8 PCS
⑥	 Accessories 6-7, separate during installation	2 PCS	⑭		1 PCS
⑦	 Accessories 6-7, separate during installation	2 PCS	⑮		2 PCS
⑧	 M4 X 30mm	2 PCS	⑯		2 PCS

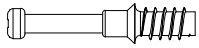
installation procedure

⑤	 #7-Ø3.5X14	8 PCS	⑥		2 PCS
---	---	-------	---	---	-------

⑮		2 PCS	STEP 1		
---	---	-------	--------	--	--



2

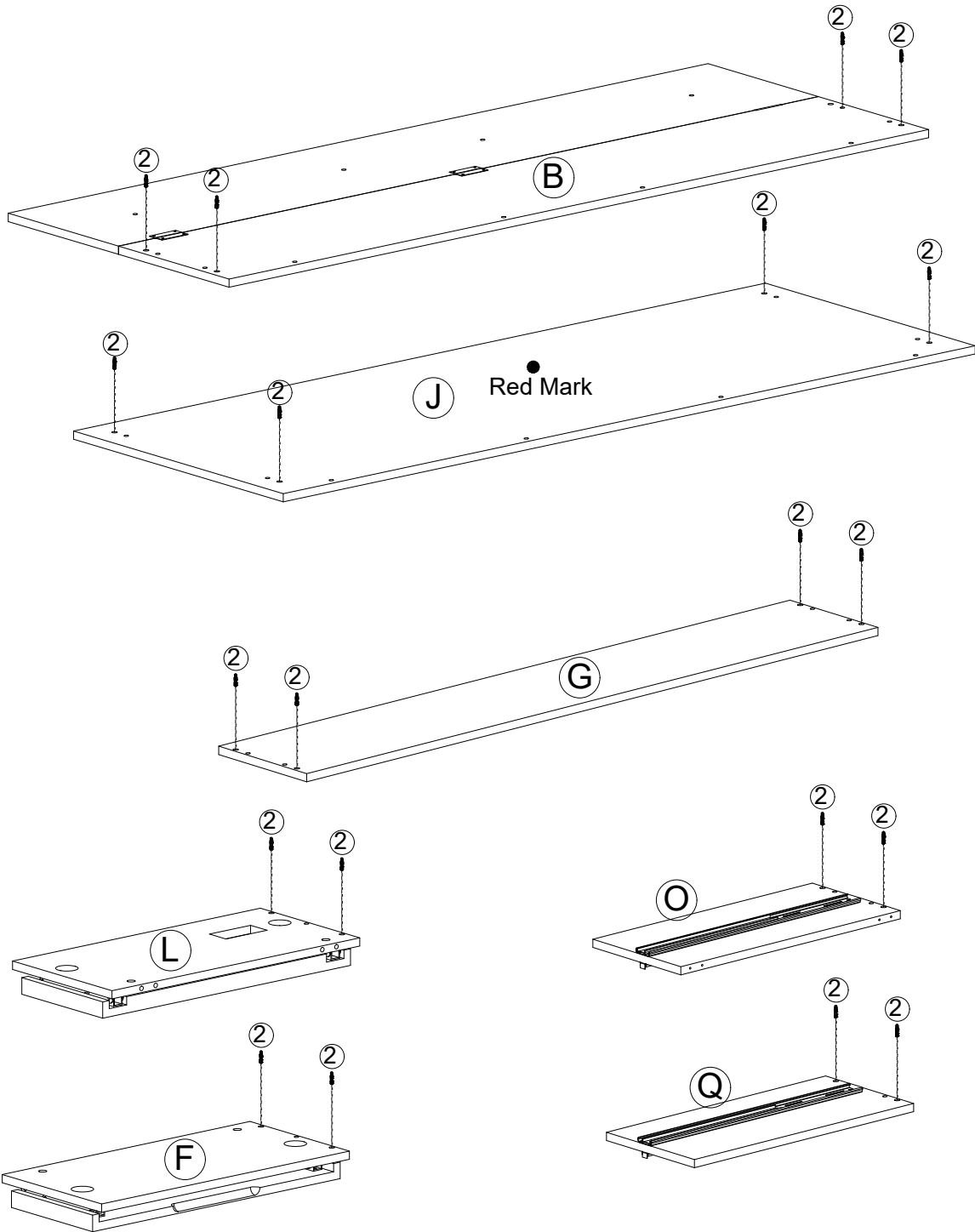


20 PCS

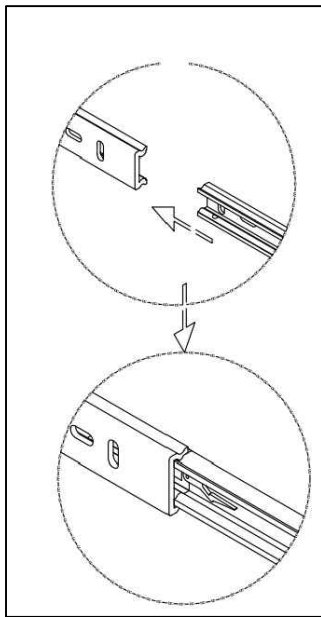
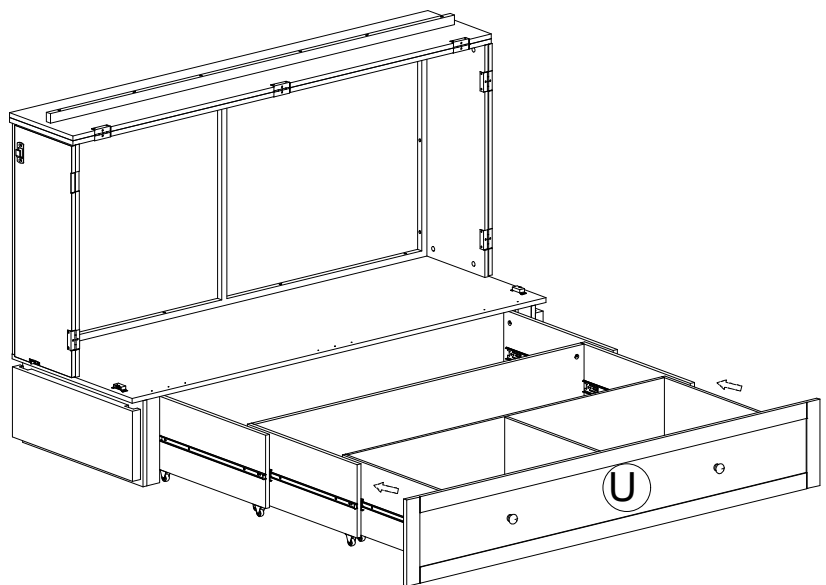
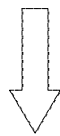
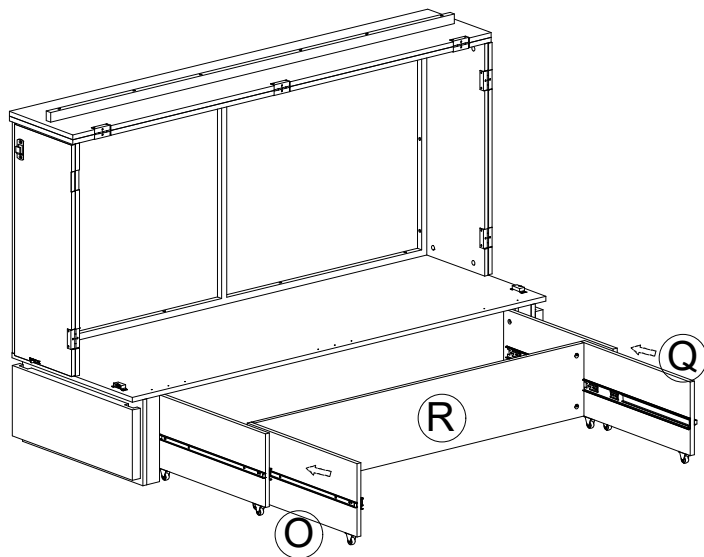
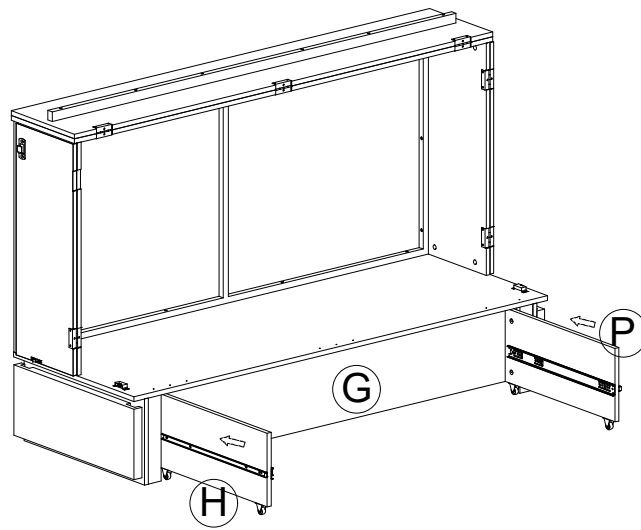
STEP 2


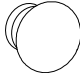


Suggest using electric tools for installation

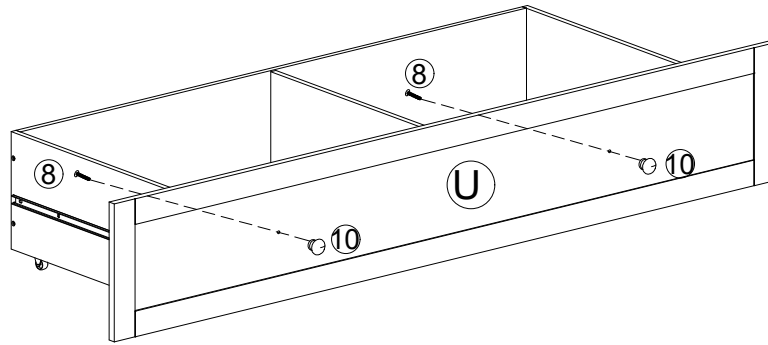


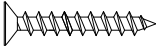
STEP 19



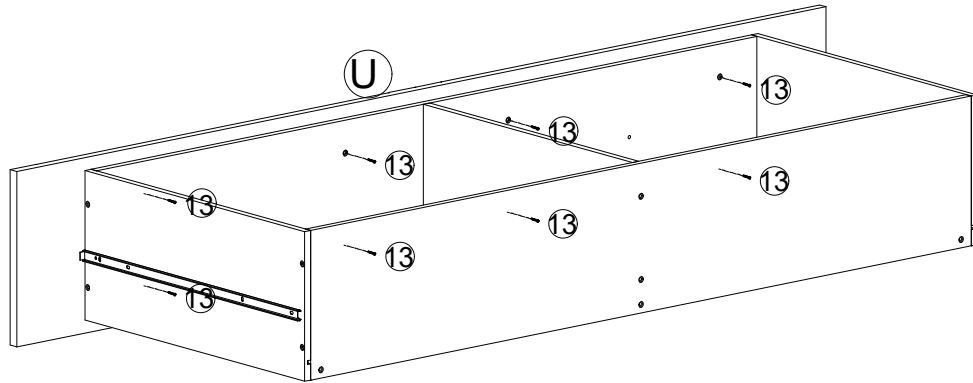
8	 M4 X 30mm	2 PCS	10		2 PCS
---	--	-------	----	---	-------


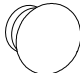
STEP 16



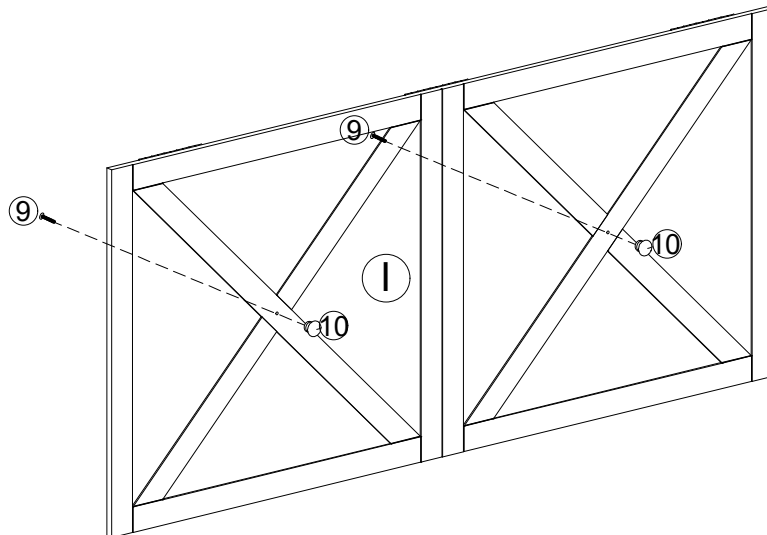
13	 #8-Ø4X20	8 PCS			
----	---	-------	--	--	--



STEP 17



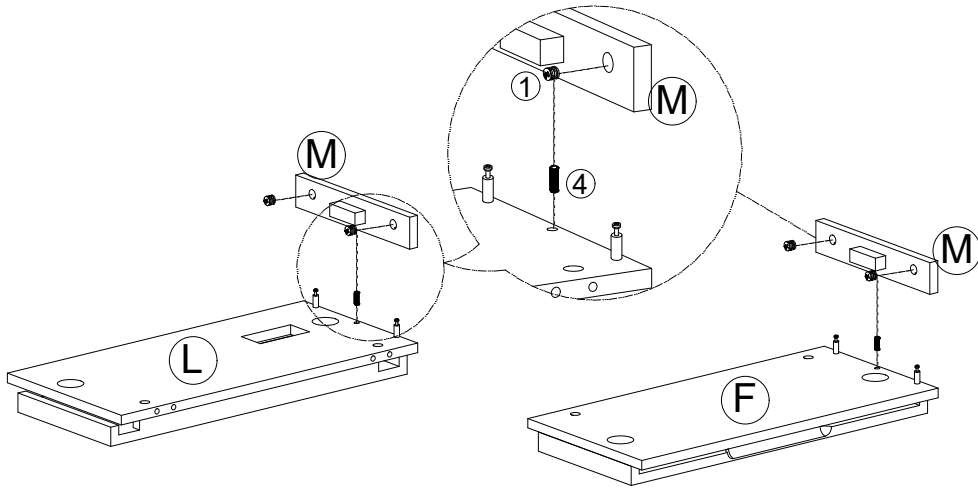
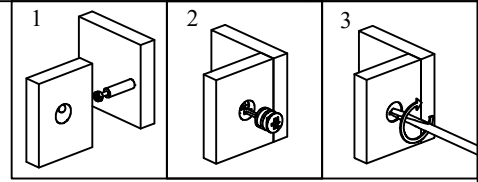
9	 M4 X 25mm	2 PCS	10		2 PCS
---	--	-------	----	---	-------


STEP 18



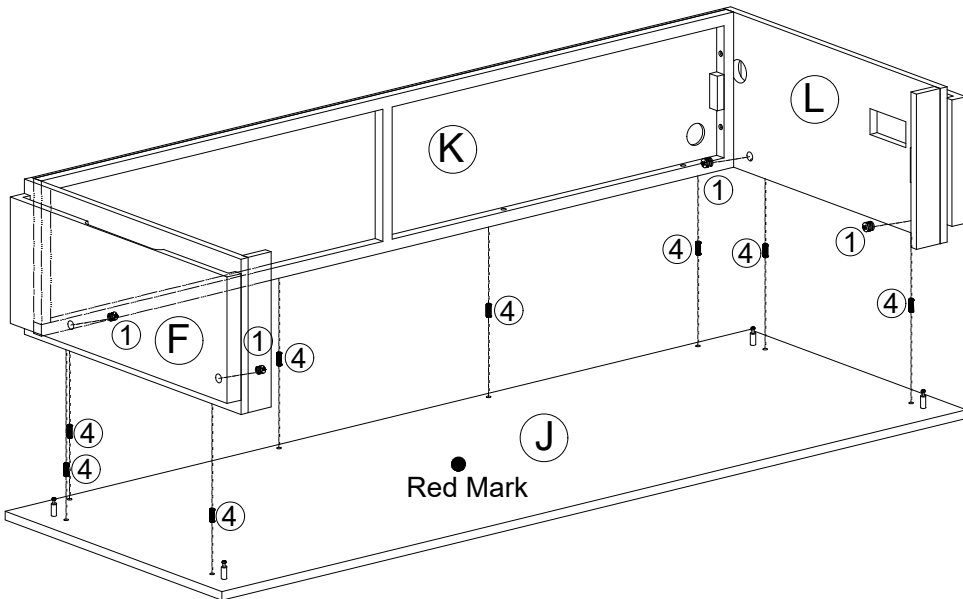
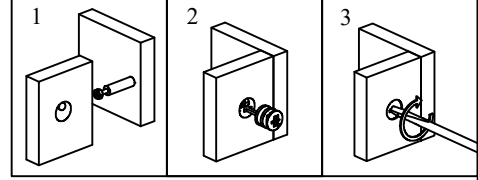
①	 KD Cam	4 PCS	④	 8 x 30MM	2 PCS
---	---	-------	---	---	-------


STEP 3



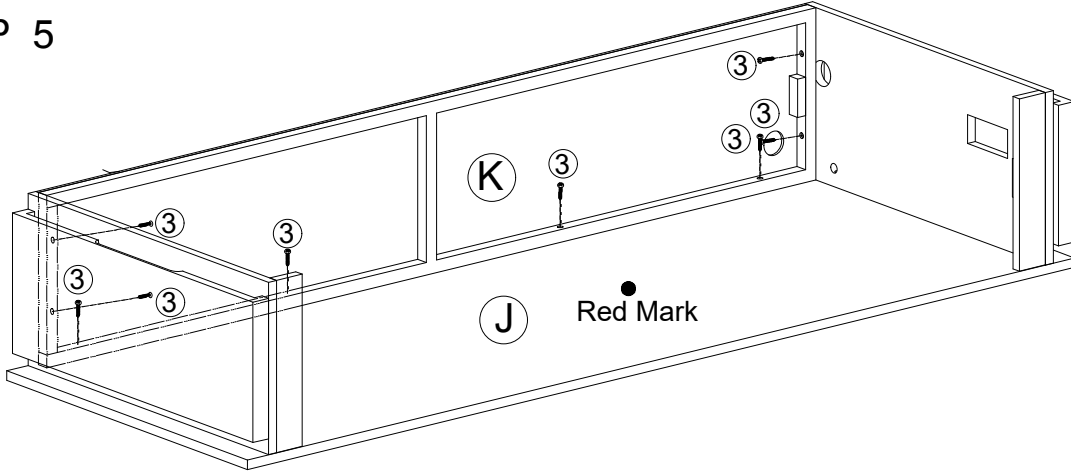
①	 KD Cam	4 PCS	④	 8 x 30MM	8 PCS
---	---	-------	---	---	-------

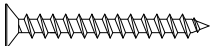
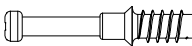
STEP 4



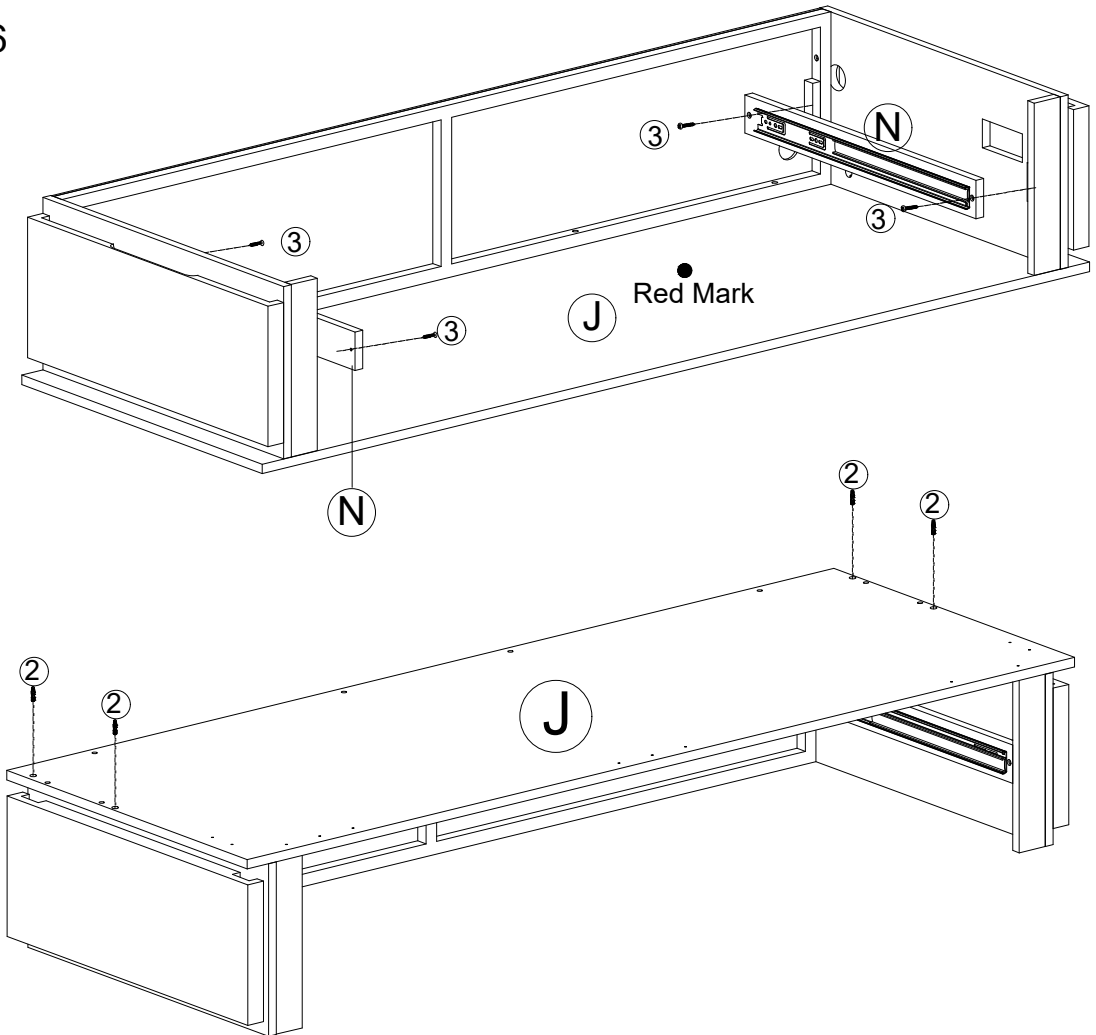
③	 #8-Ø4X30	8 PCS		
---	---	-------	--	--

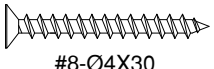

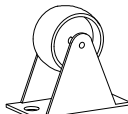
STEP 5



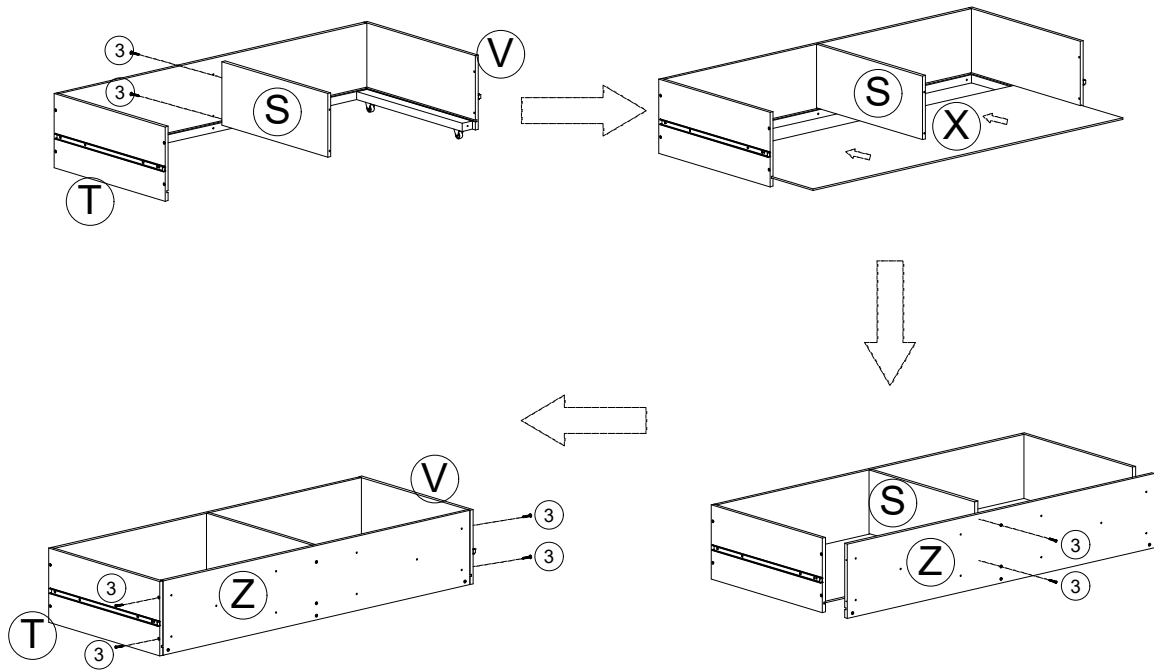
③	 #8-Ø4X30	4 PCS	②		4 PCS
---	---	-------	---	---	-------

STEP 6

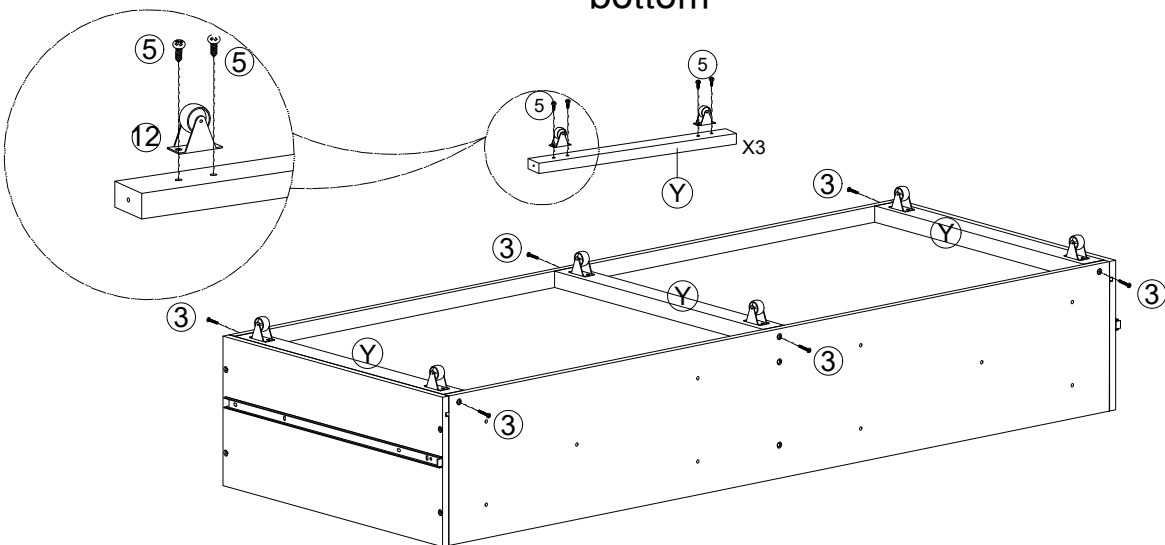



③	 #8-Ø4X30	14 PCS	⑤	 #7 x 3.5x14	12 PCS
⑫		6 PCS			

STEP 15

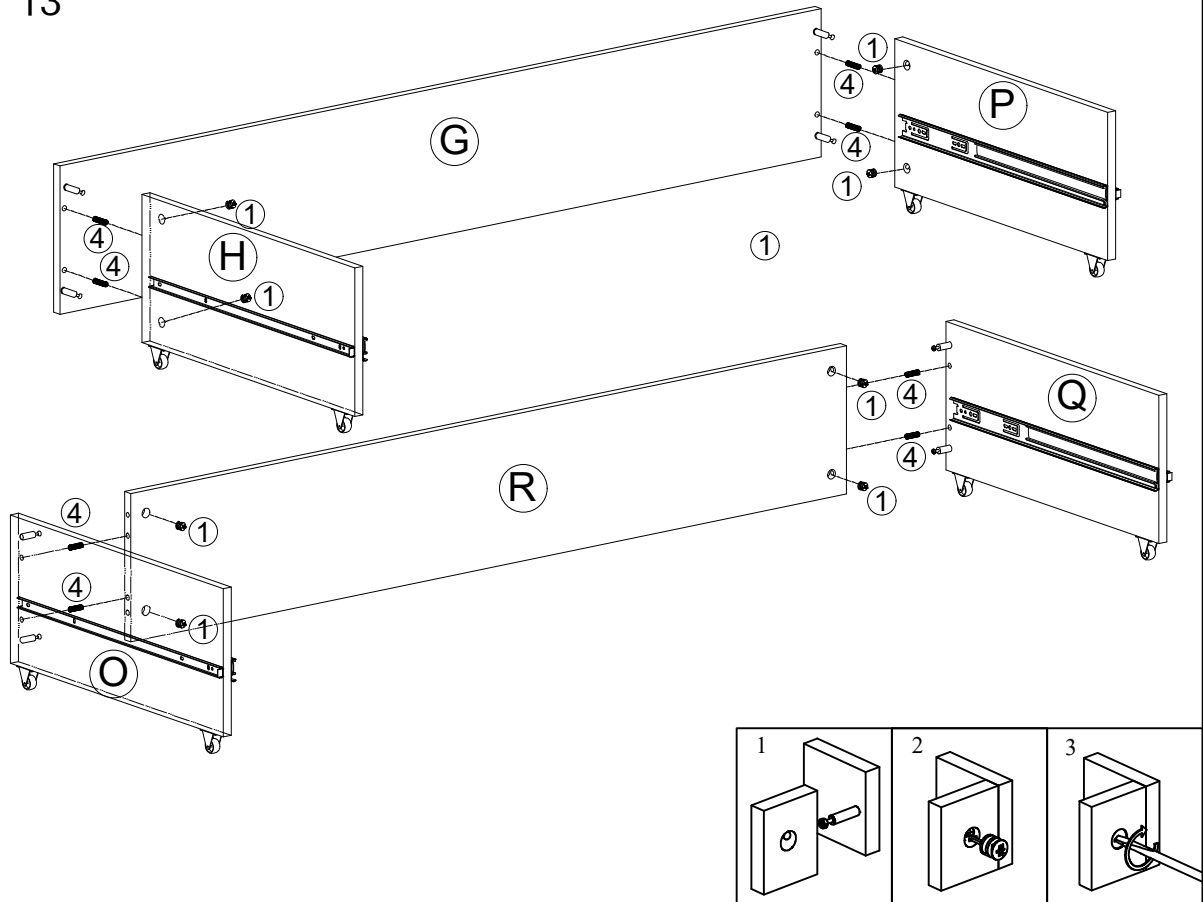


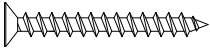
Flip the drawer over and install the Y component and casters at the bottom



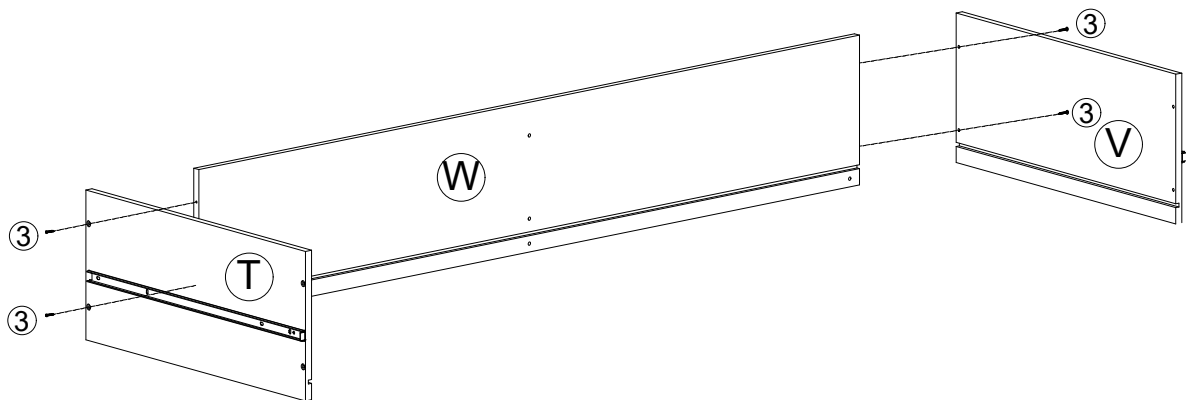
①	 KD Cam	8 PCS	④	 8 x 30MM	8 PCS
---	---	-------	---	---	-------


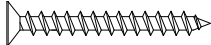
STEP 13



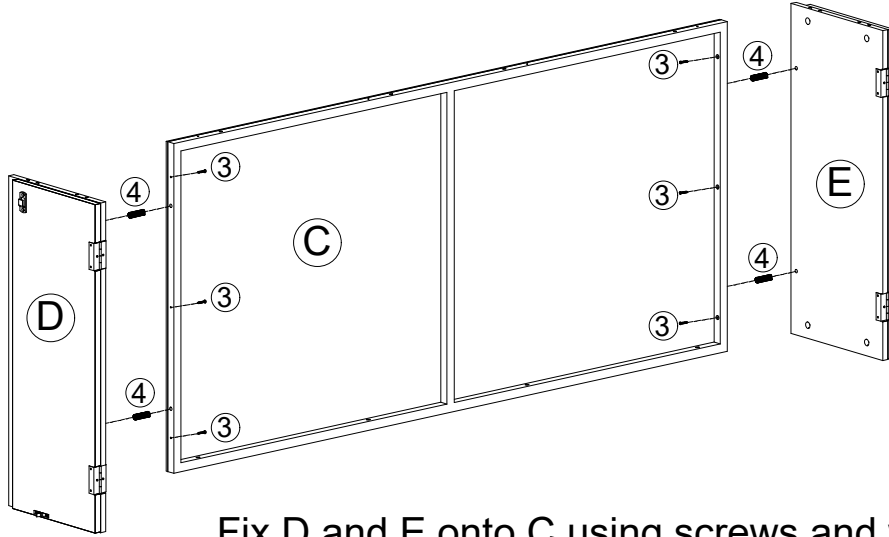
③	 #8-Ø4X30	4 PCS			
---	---	-------	--	--	--

STEP 14





④	 8 x 30MM	4 PCS	③	 #8-Ø4X30	6 PCS
---	---	-------	---	--	-------

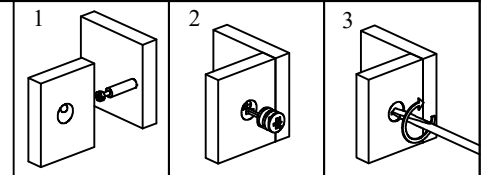
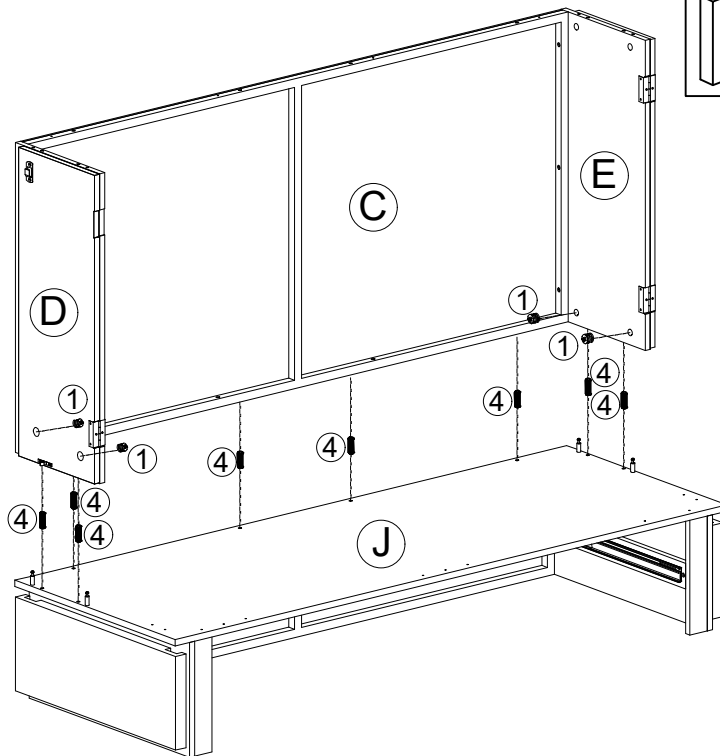
STEP 7





Fix D and E onto C using screws and wood chips

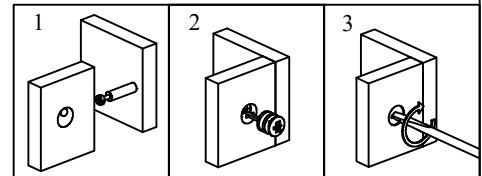
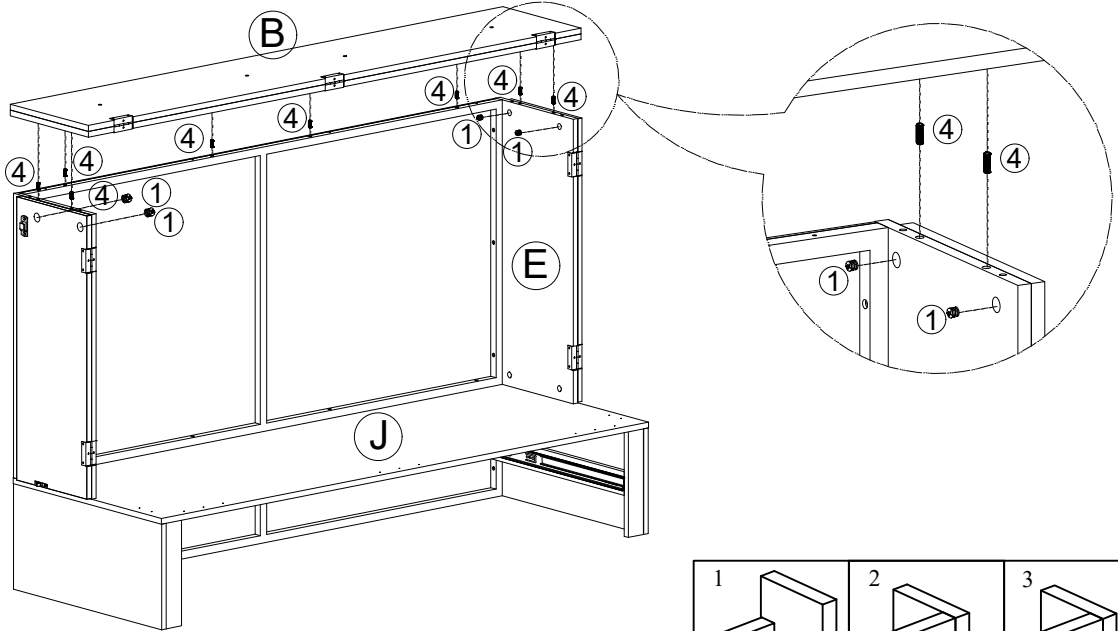
①	 KD Cam	4 PCS	④	 8 x 30MM	8 PCS
---	---	-------	---	---	-------


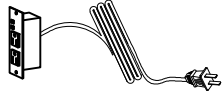
STEP 8

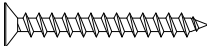


①	 KD Cam	4 PCS	④	 8 x 30MM	8 PCS
---	---	-------	---	---	-------

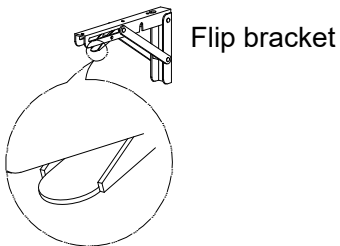
STEP 9



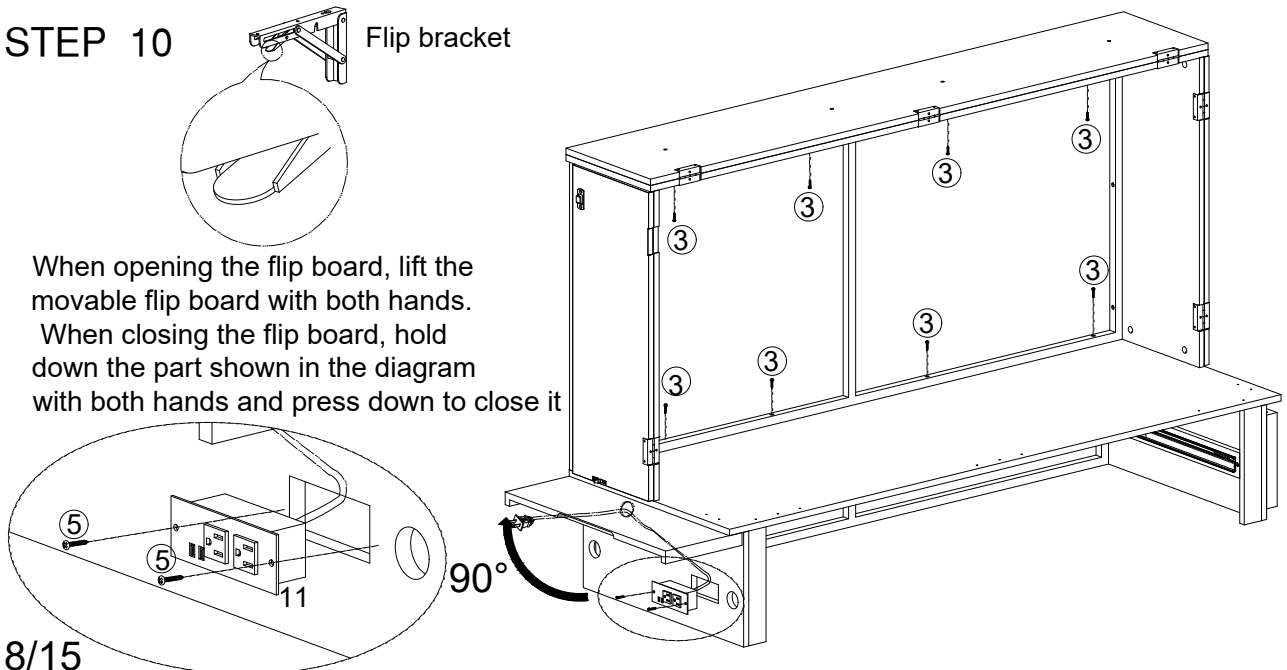
⑤	 #7 x 3.5x14	2 PCS	⑪	 1 PCS	
---	--	-------	---	--	--


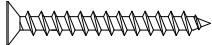
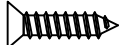
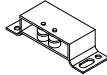
③	 #8-Ø4X30	8 PCS			
---	---	-------	--	--	--

STEP 10

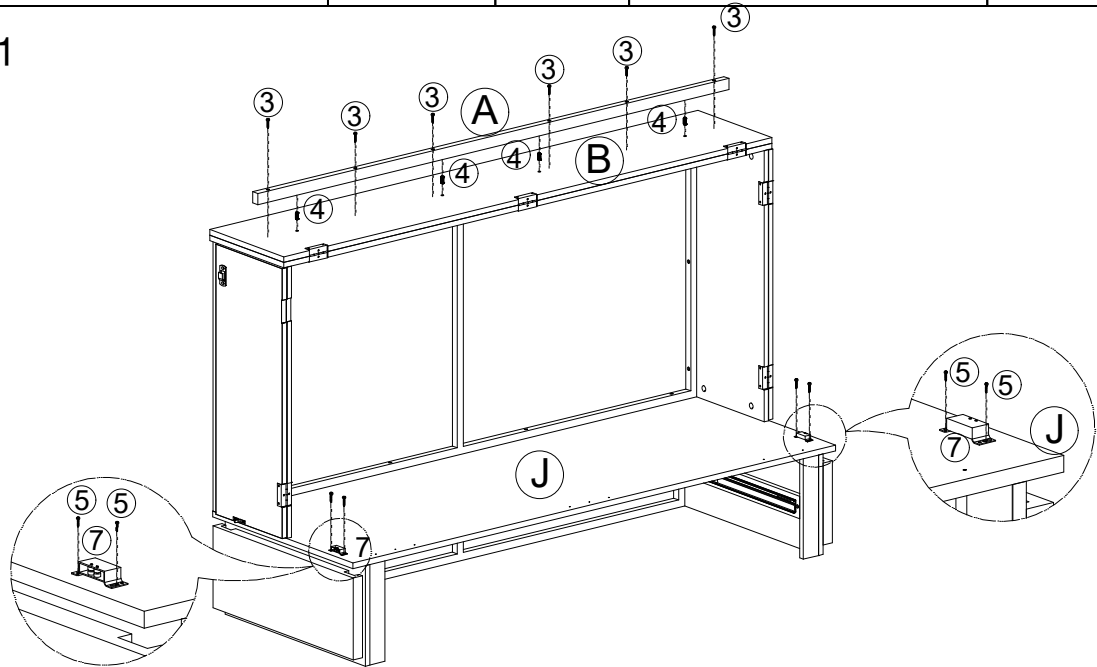



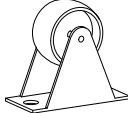
When opening the flip board, lift the movable flip board with both hands.
 When closing the flip board, hold down the part shown in the diagram with both hands and press down to close it



④	 8 x 30MM	4 PCS	③	 #8-Ø4X30	6 PCS
⑤	 #7-Ø3.5X14	4 PCS	⑦		2 PCS

STEP 11



⑤	 #7 x 3.5x14	16 PCS	⑫		8 PCS
---	--	--------	---	---	-------

STEP 12

