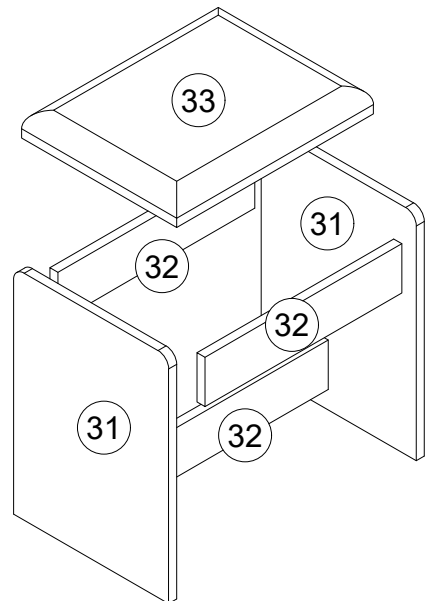
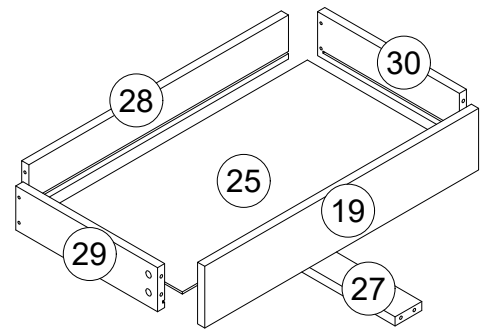
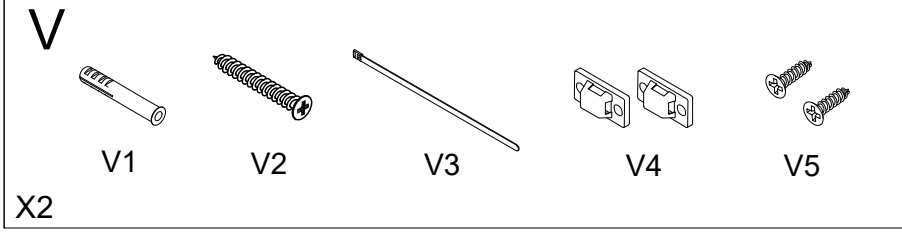
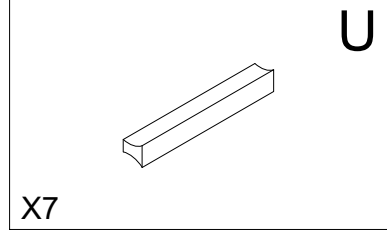
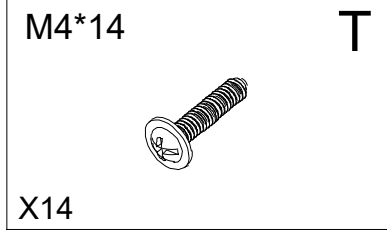
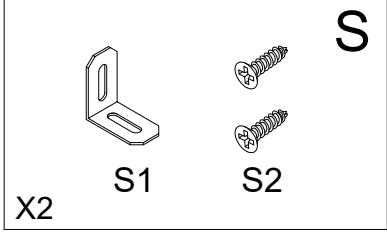
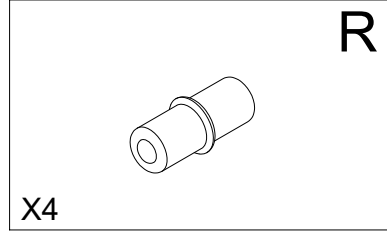
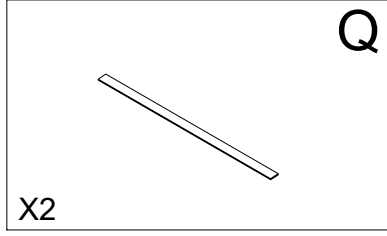
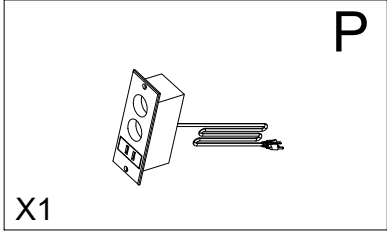
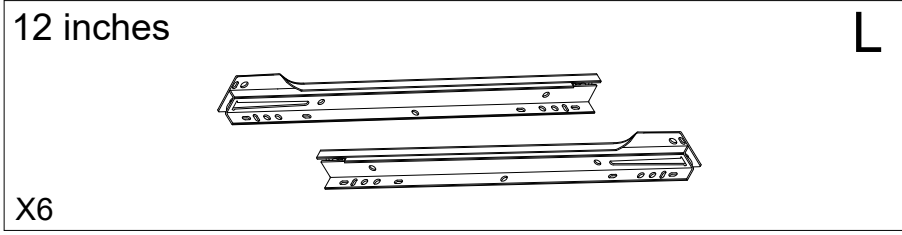
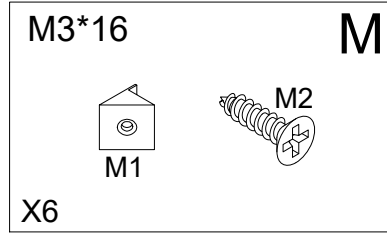
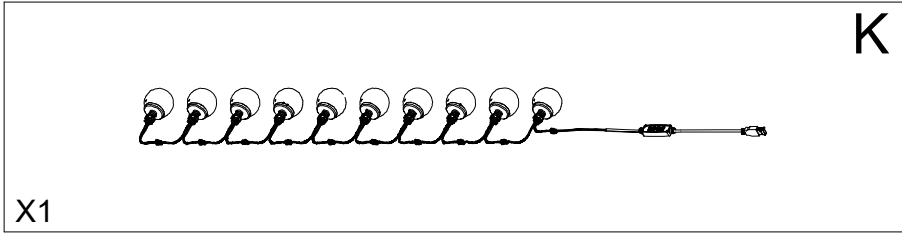
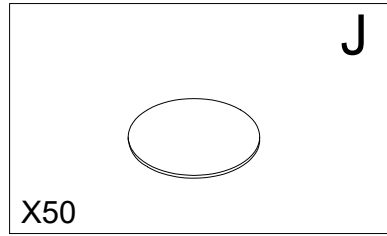
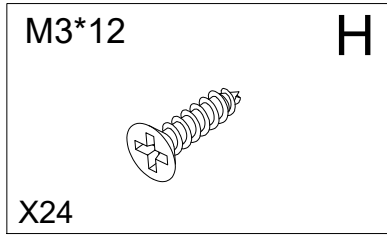
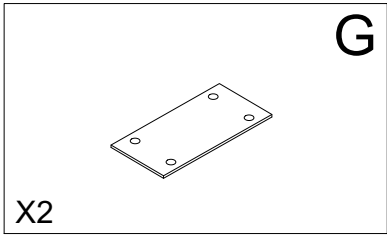
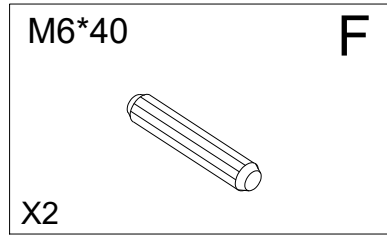
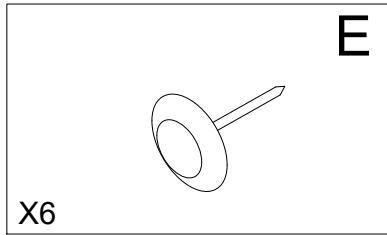
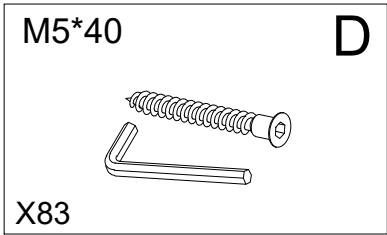
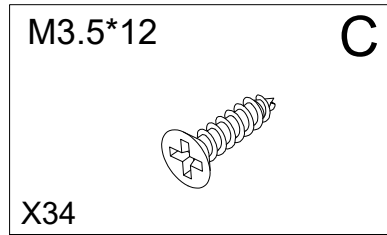
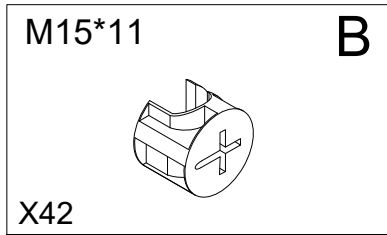
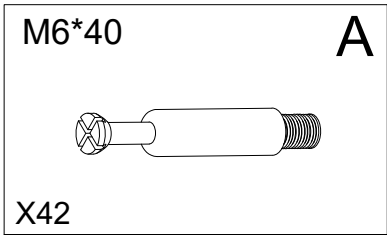
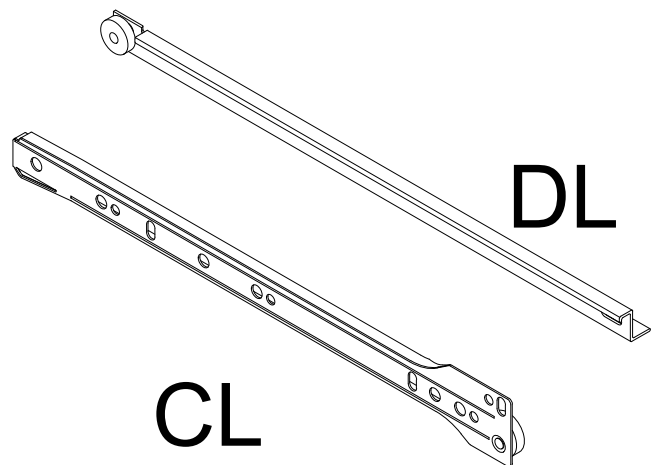
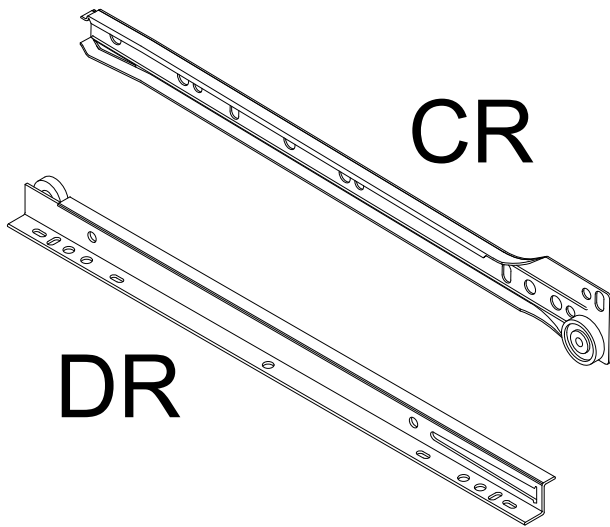
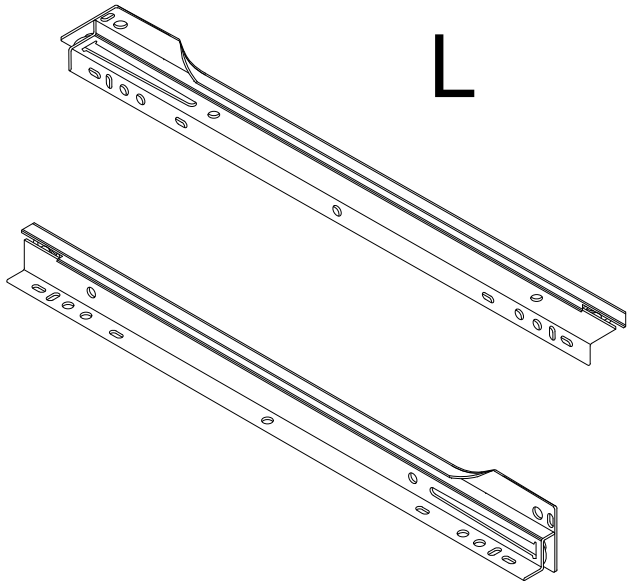


X5





$$L = CR + DR + CL + DL$$



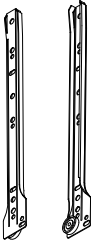
1

C

X20



L

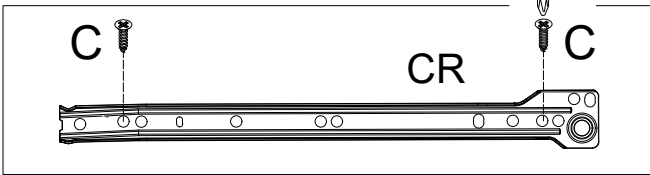
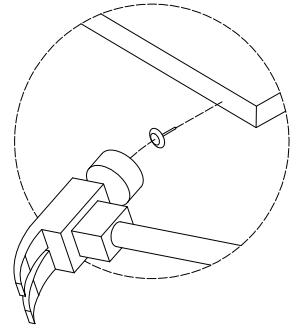
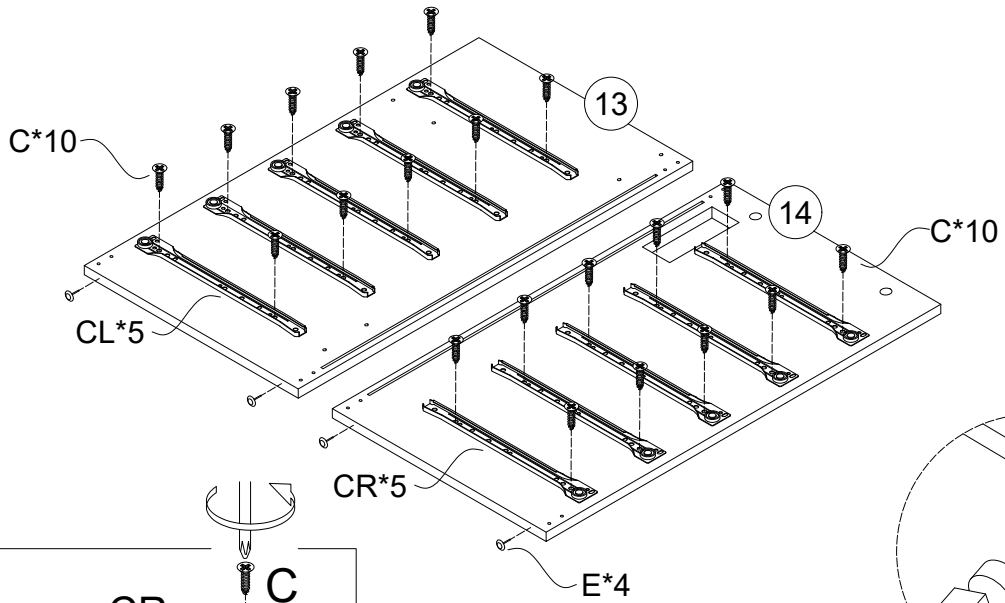
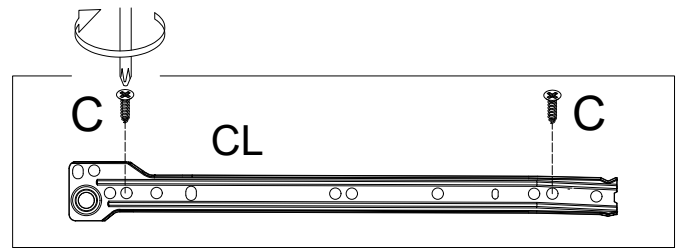


CL CR

X5

E

X4



C

CR

C

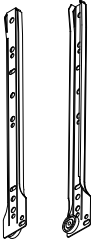
2

C

X4



L

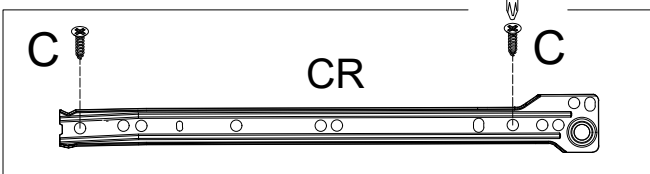
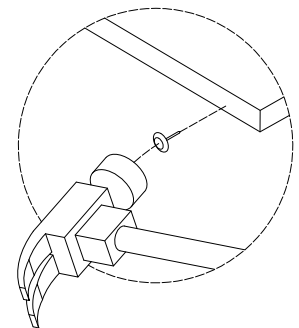
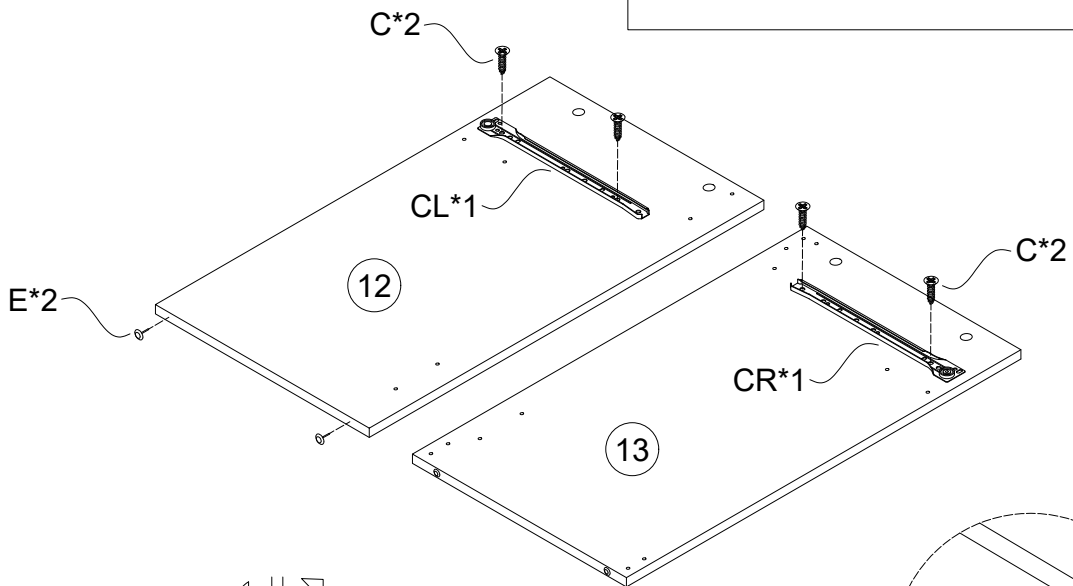
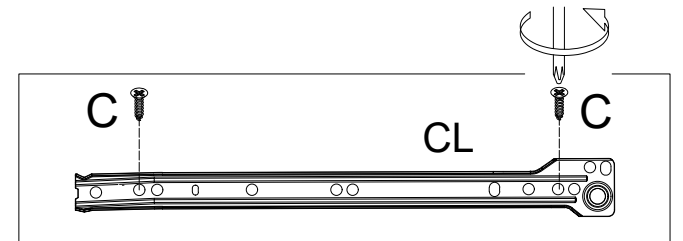


CL CR

X1

E

X2

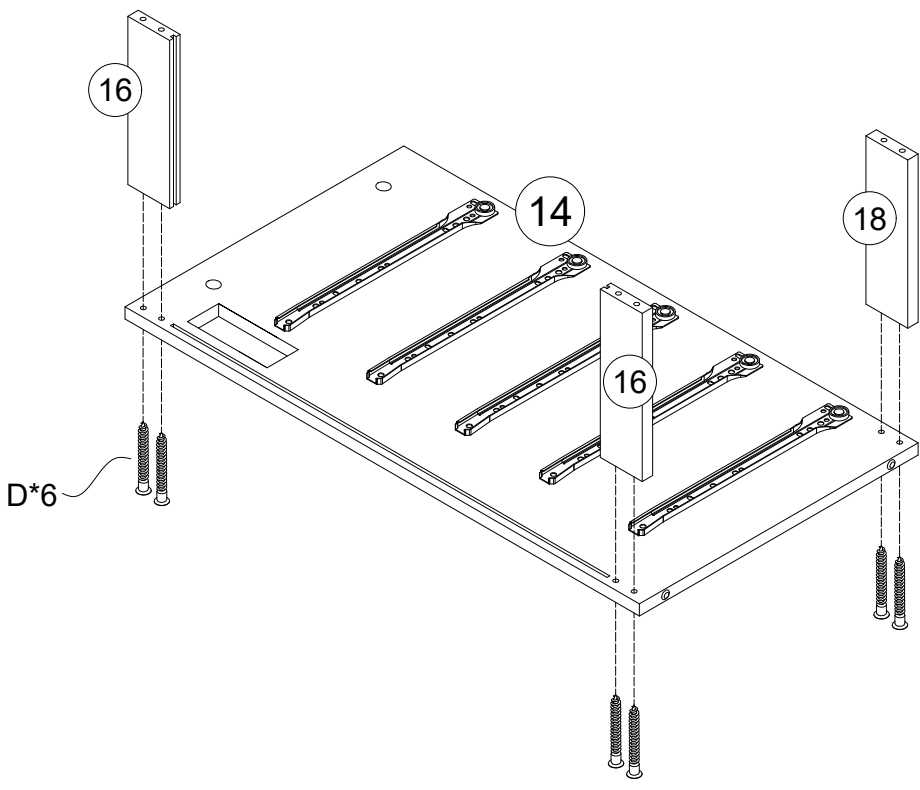
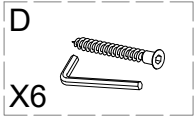


C

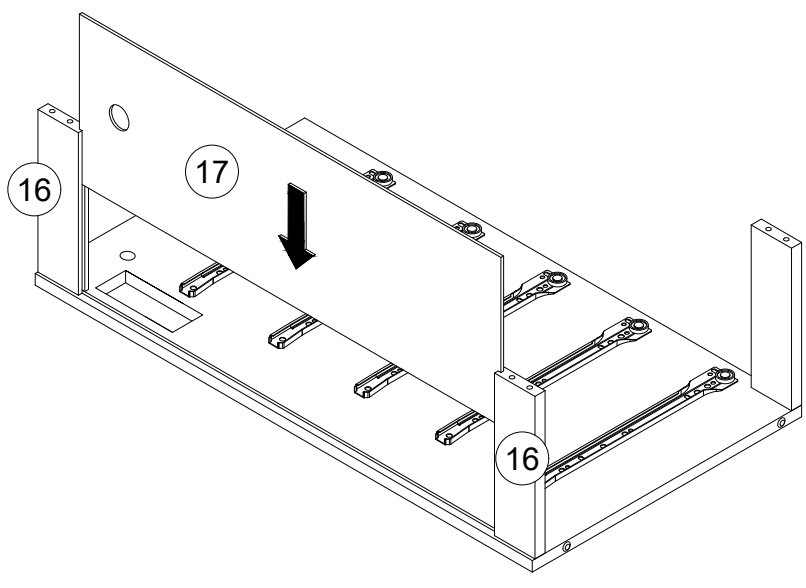
CR

C

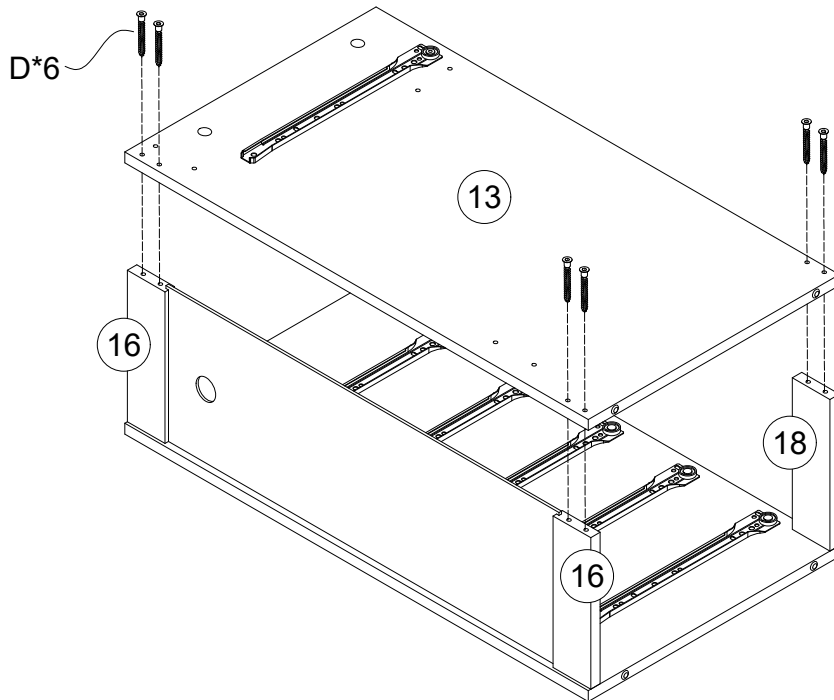
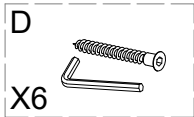
3



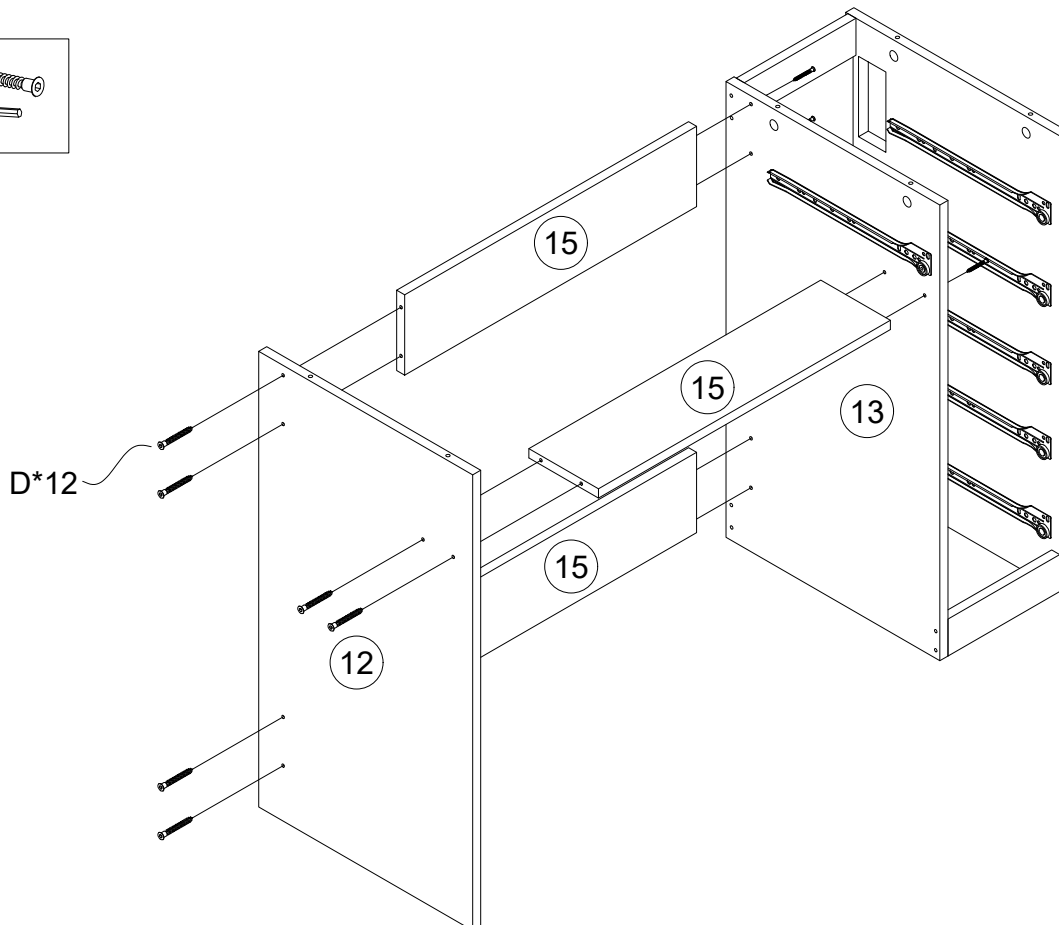
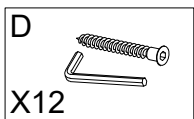
4



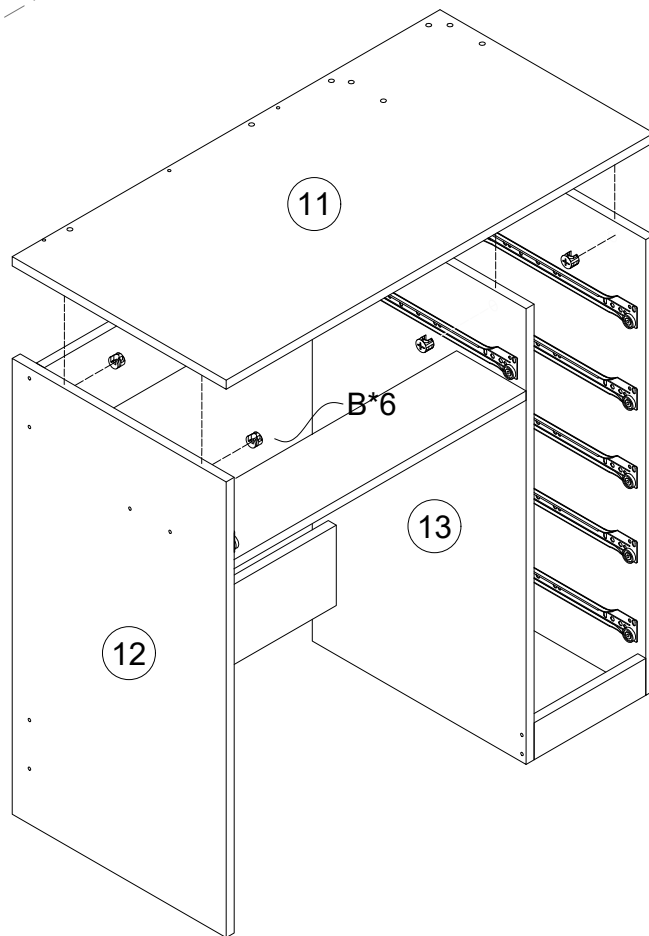
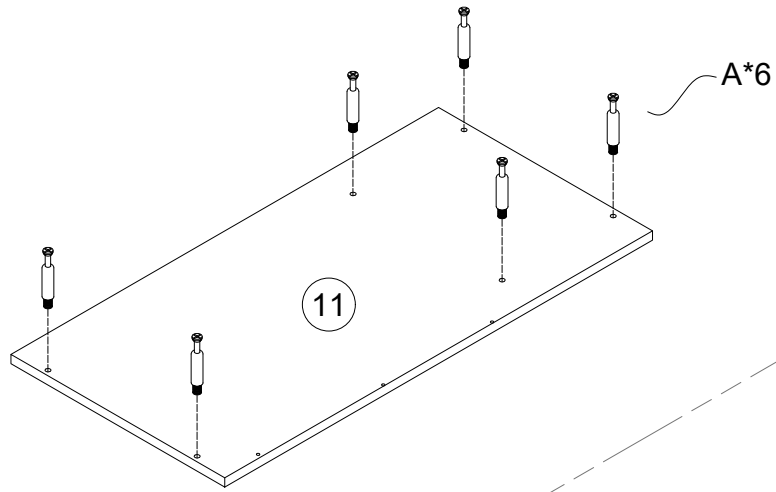
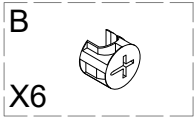
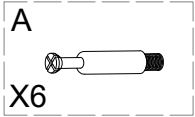
5



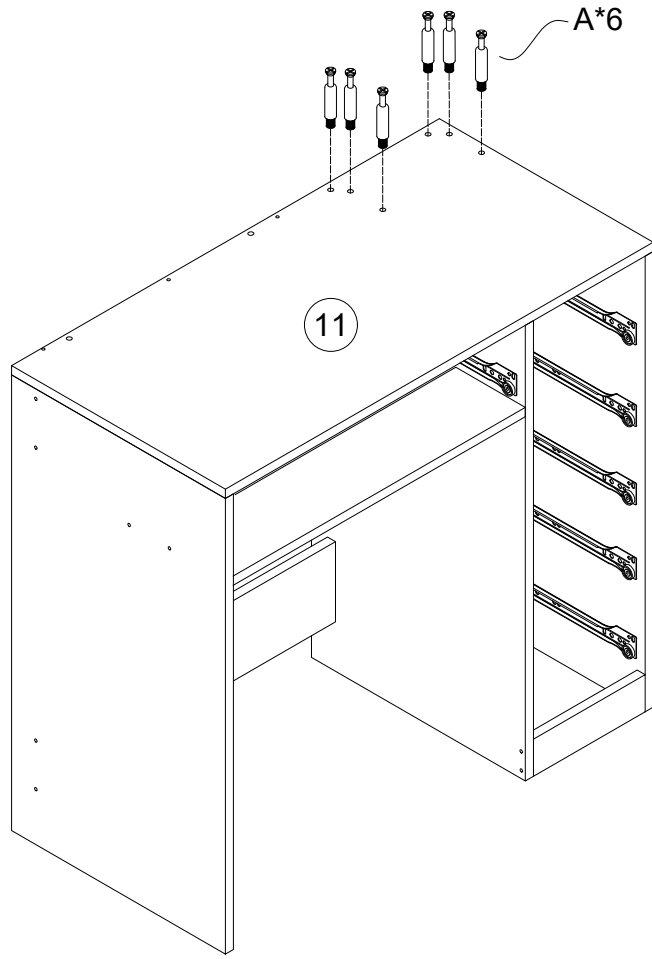
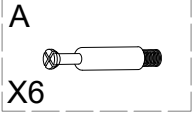
6



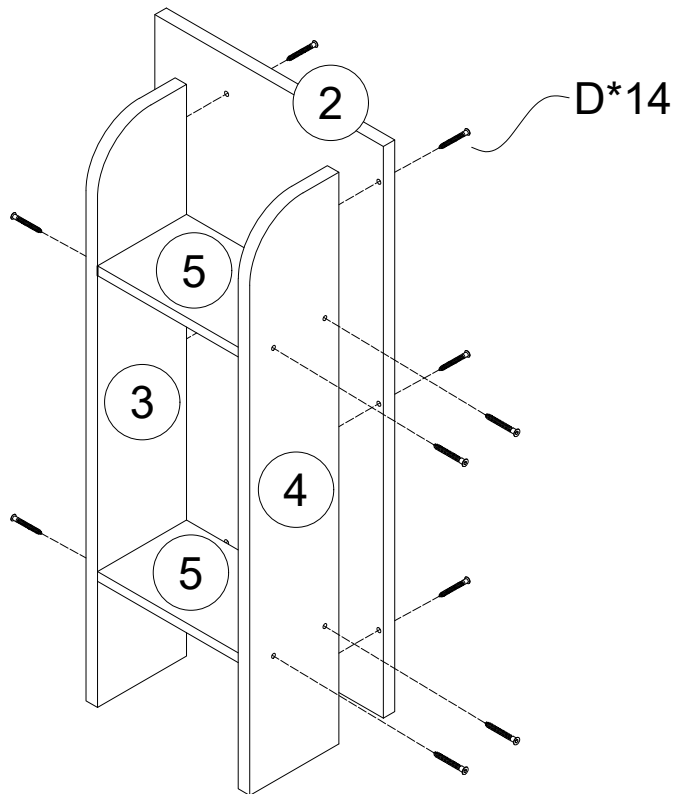
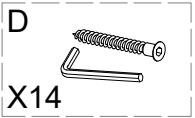
7



8

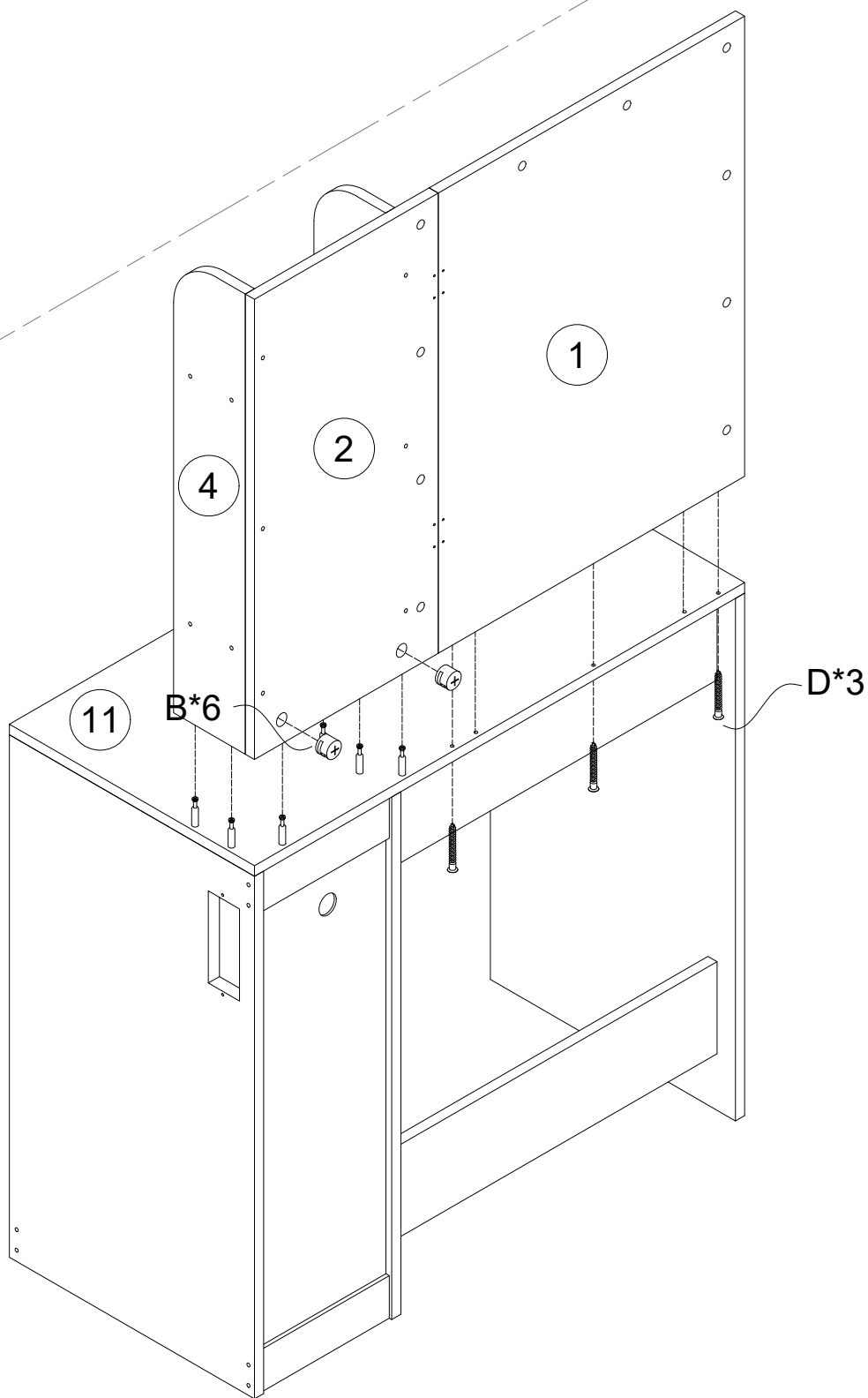
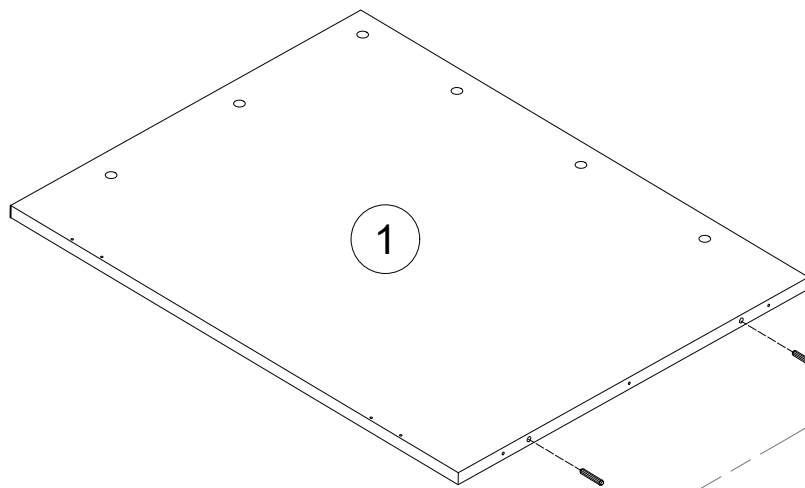


9

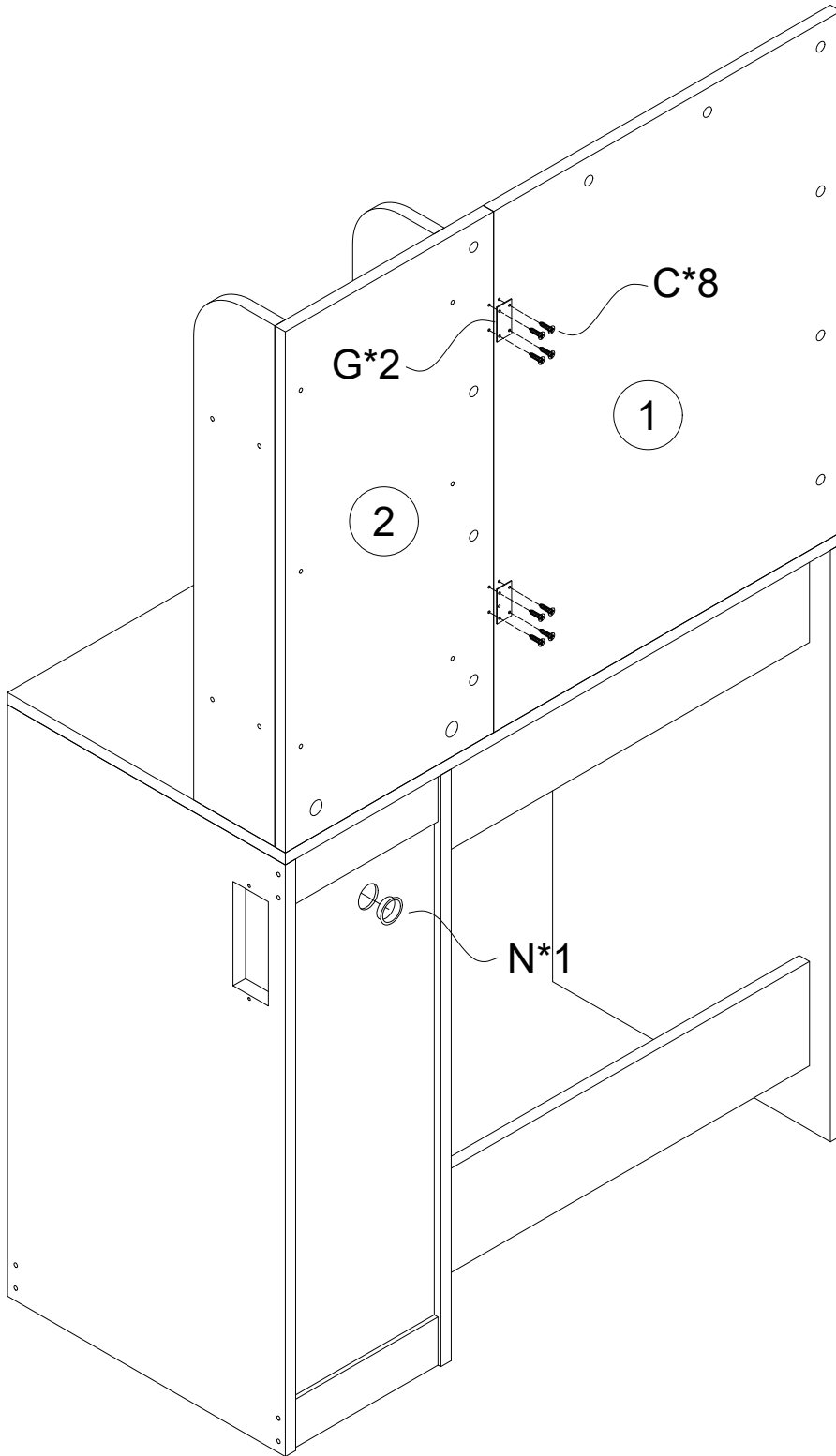
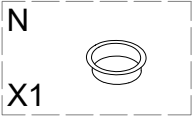
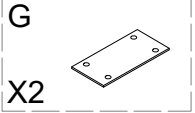


10

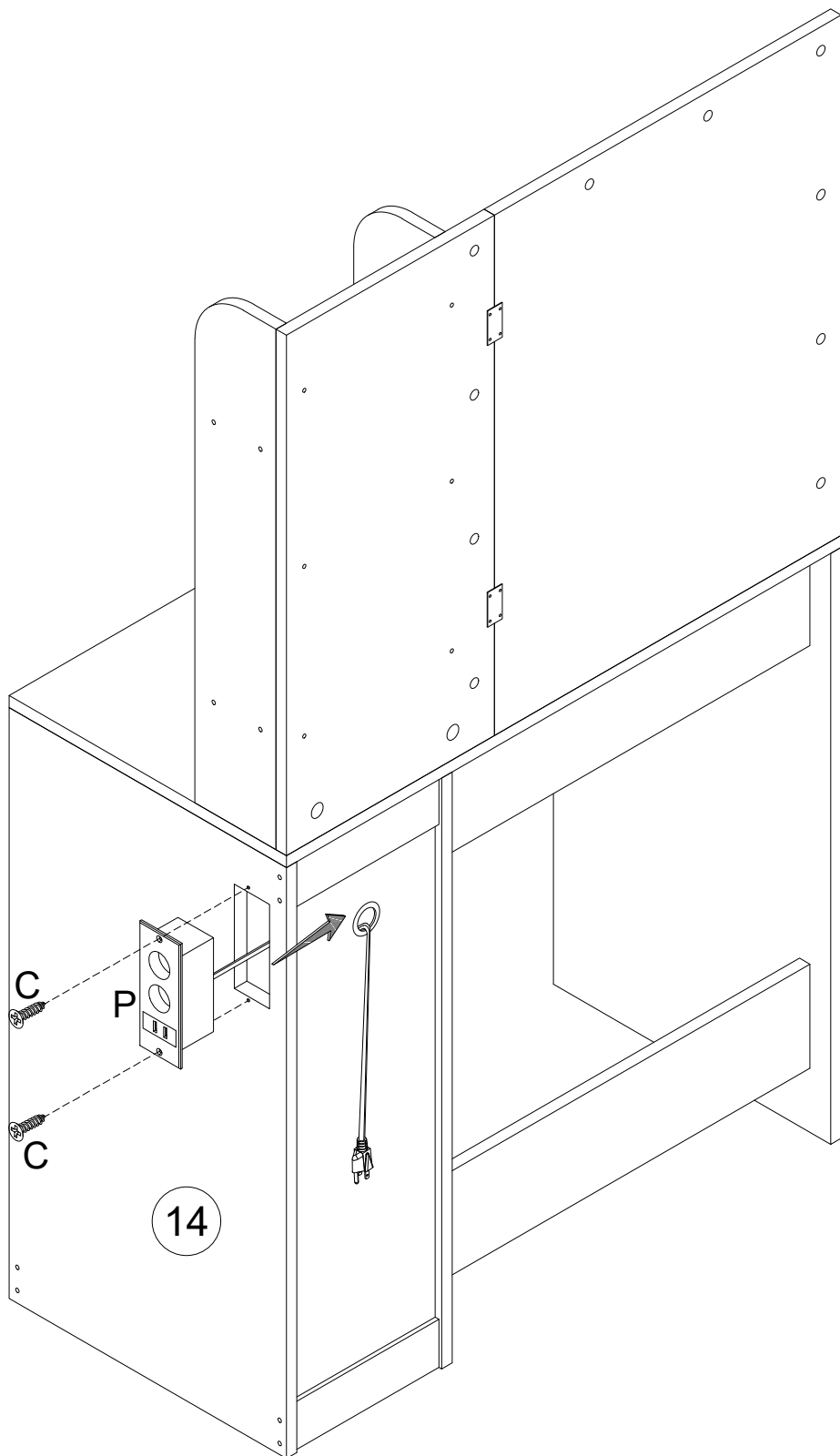
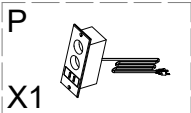
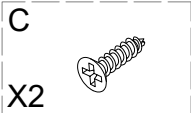
- B
X6
- D
X3
- F
X2



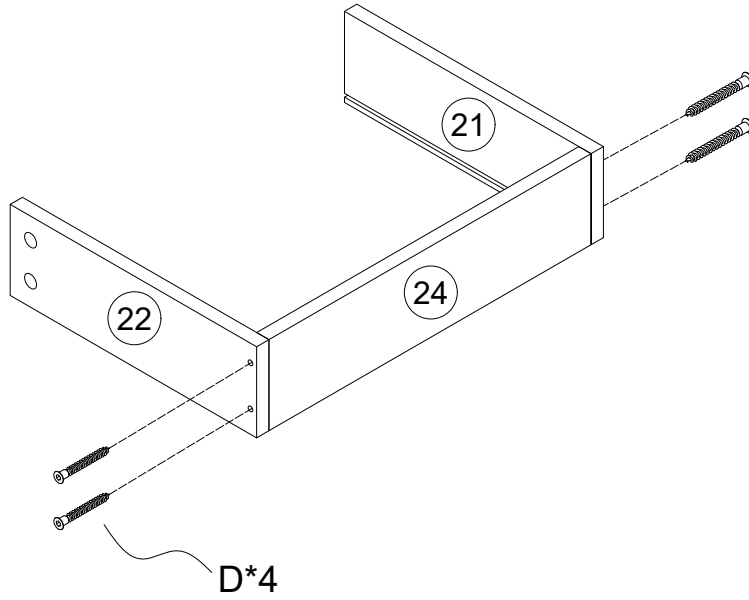
11



12

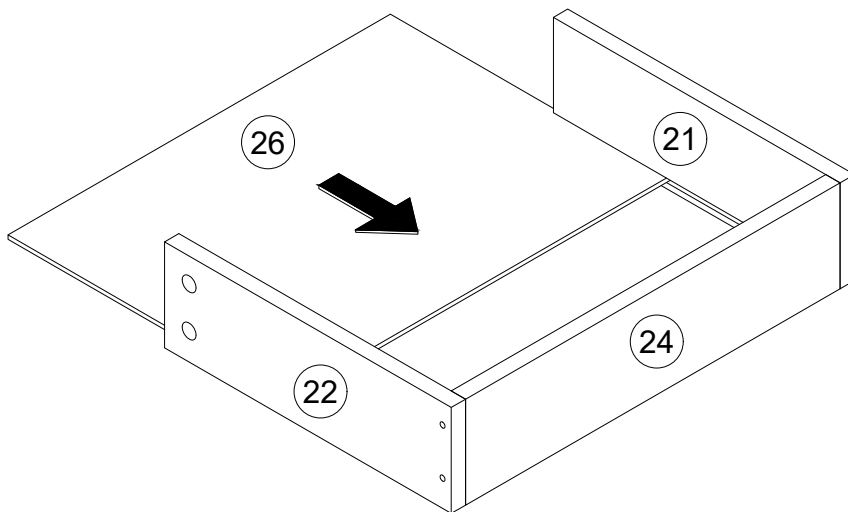


13



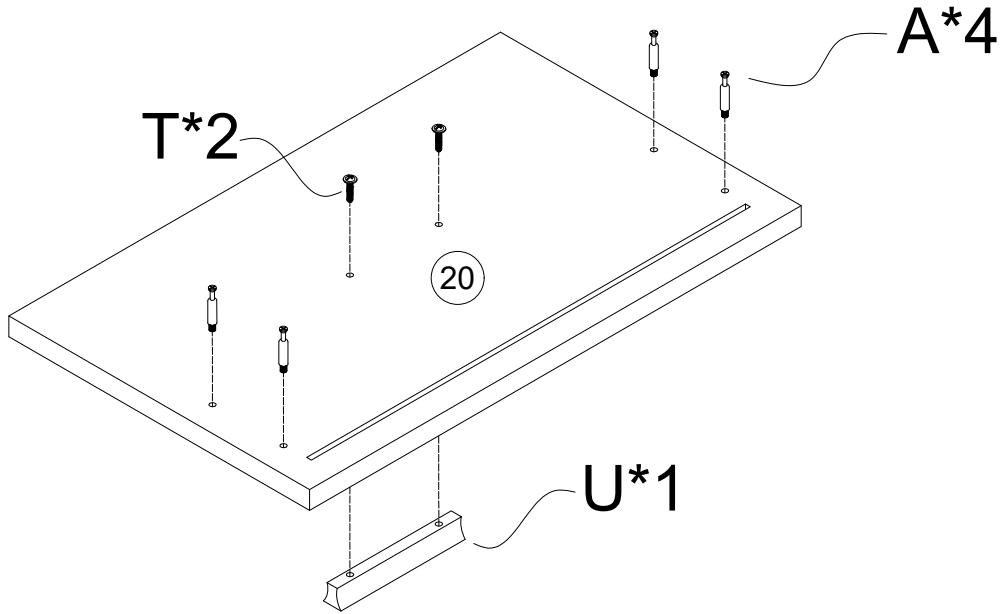
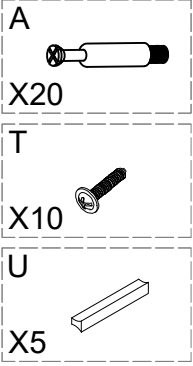
x5

14



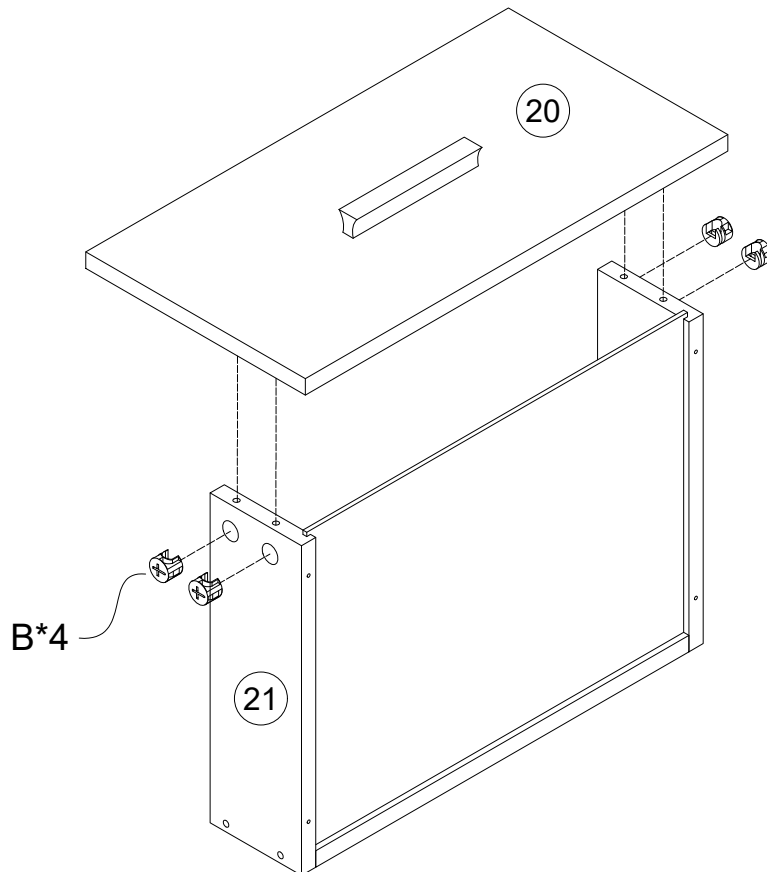
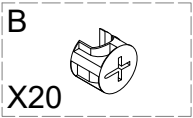
x5

15



x5

16



x5

17

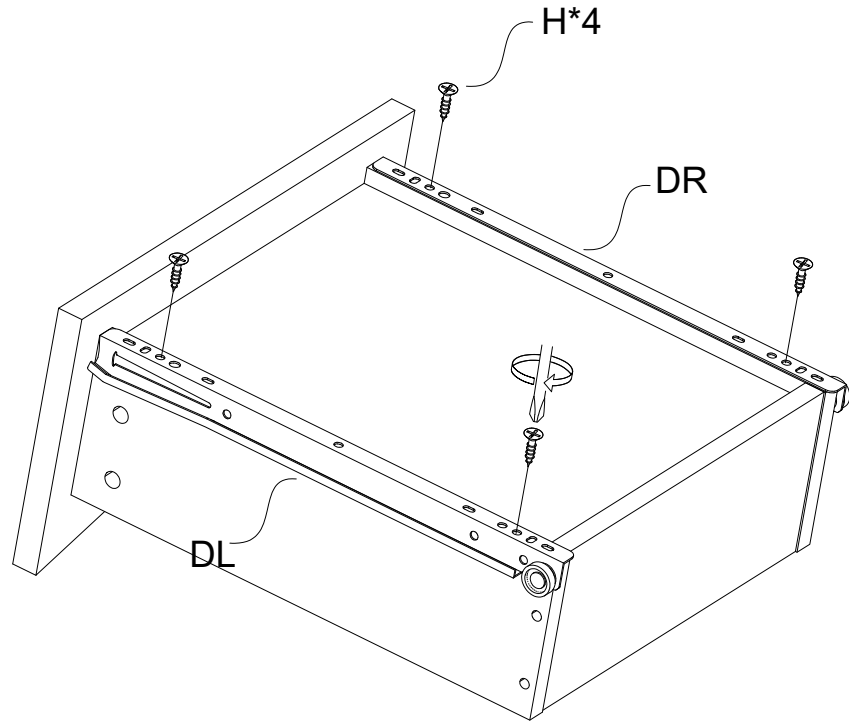
H

X20



L

X5

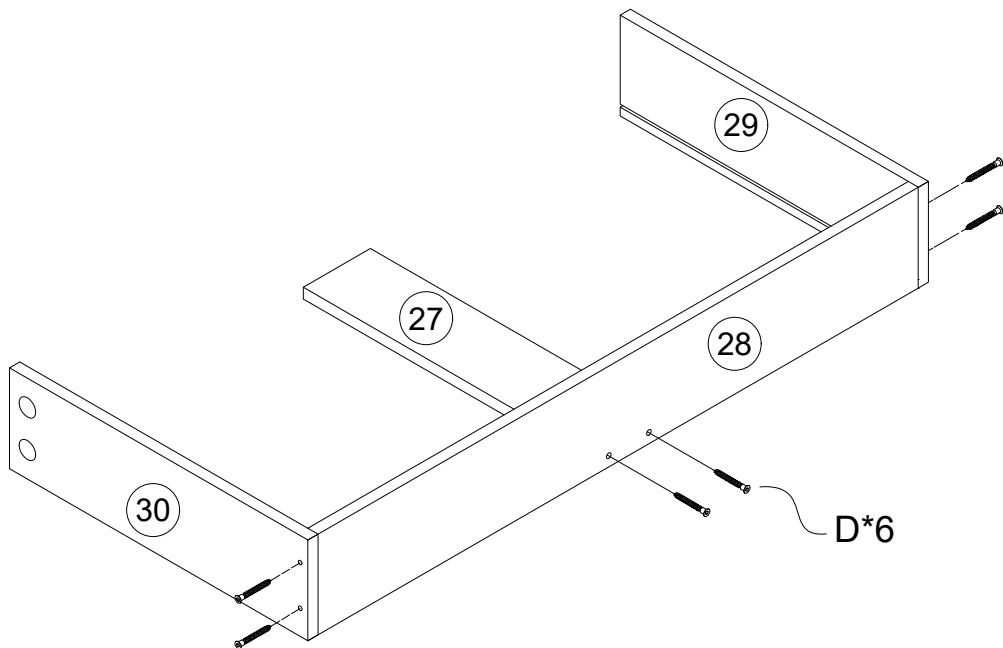
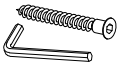


x5

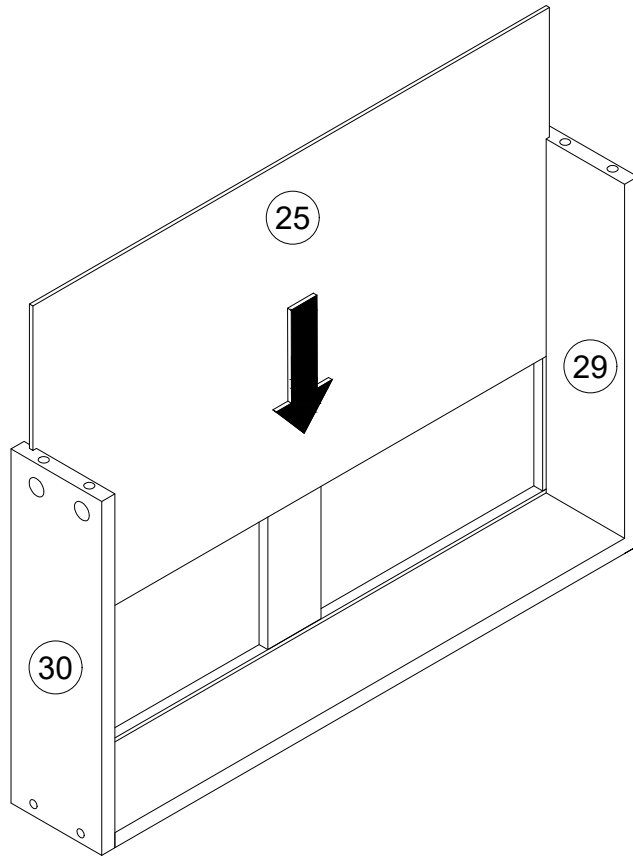
18

D

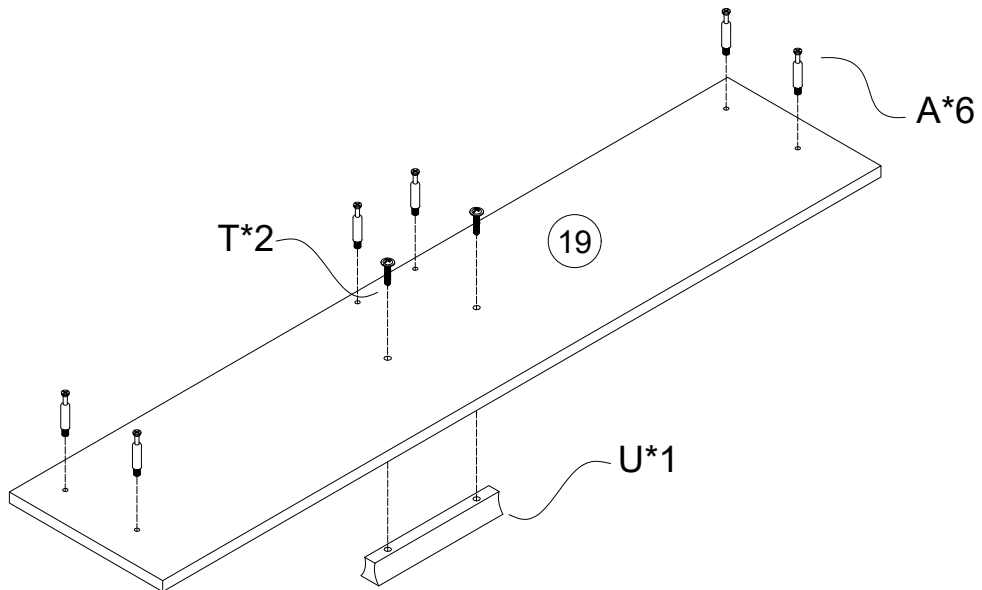
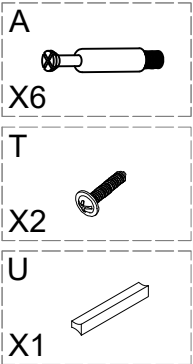
X6



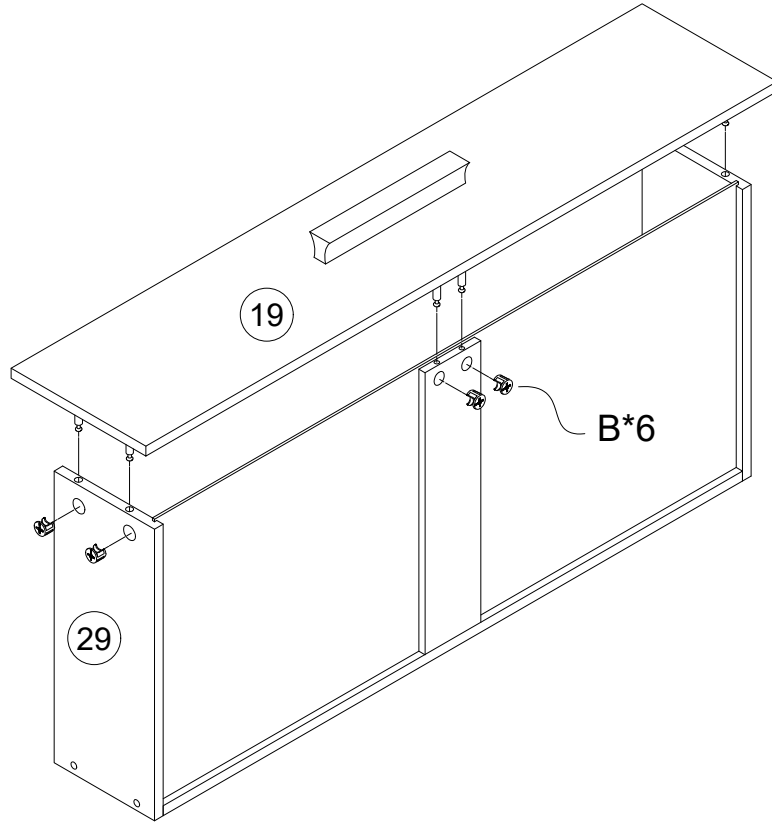
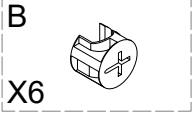
19



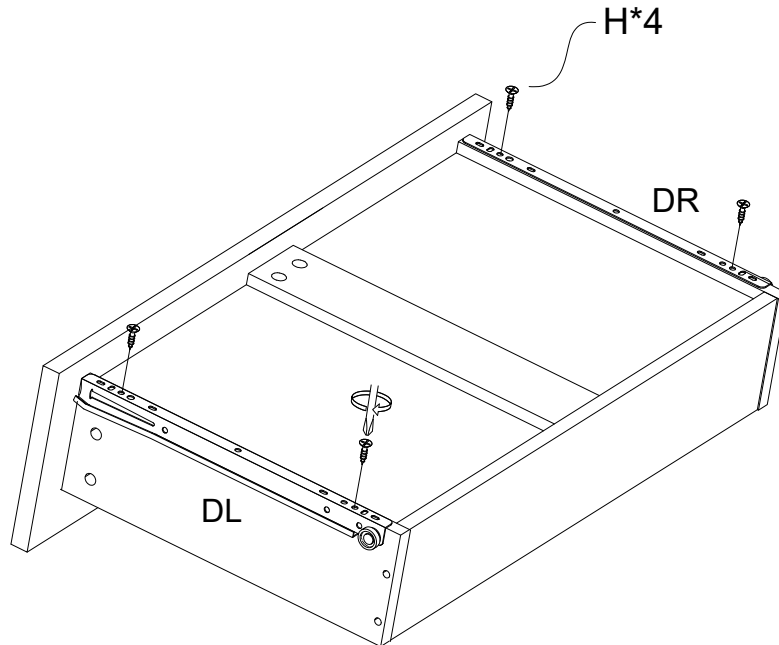
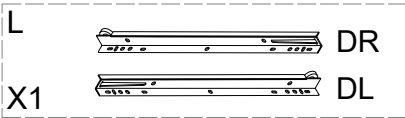
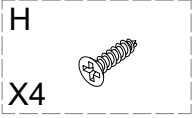
20

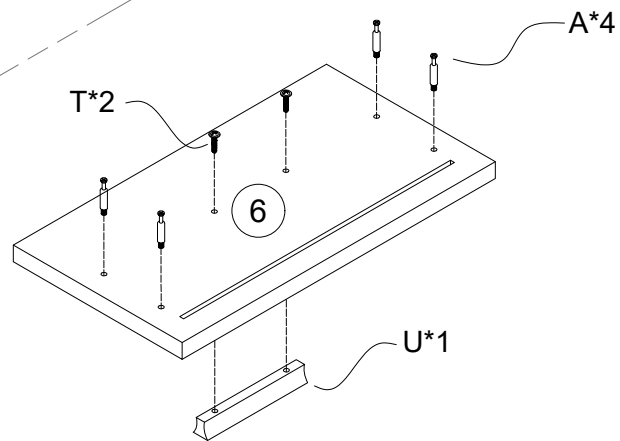
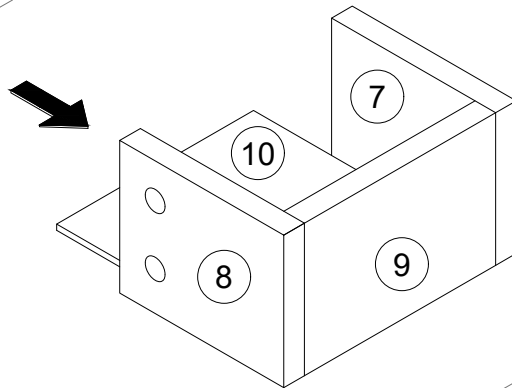
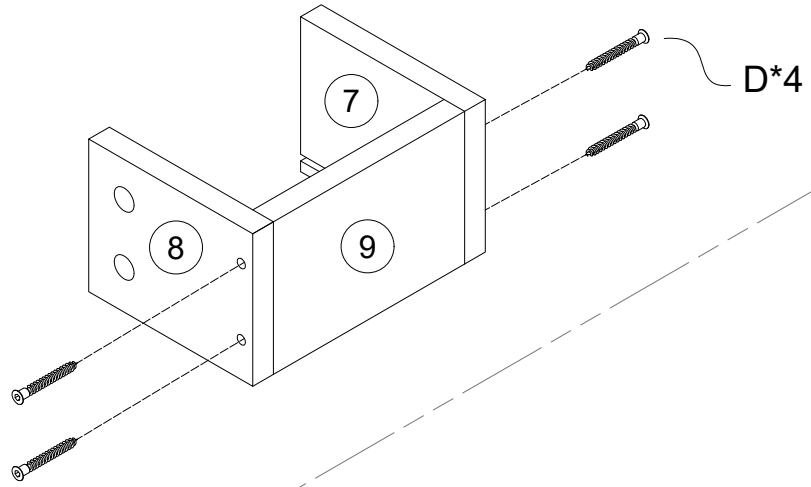
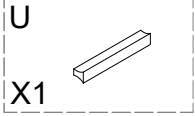
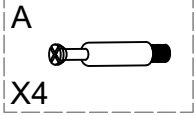
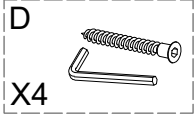


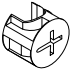
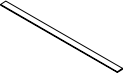
21

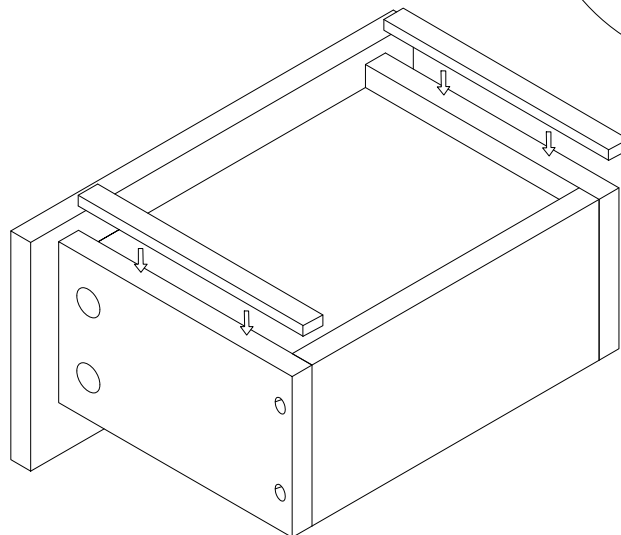
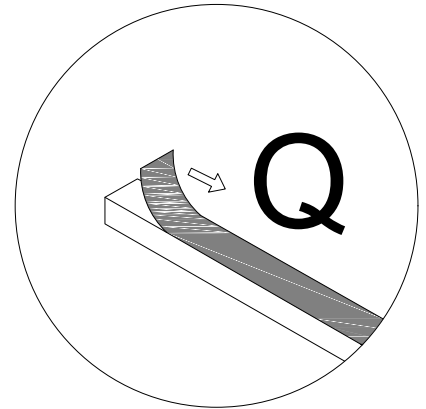
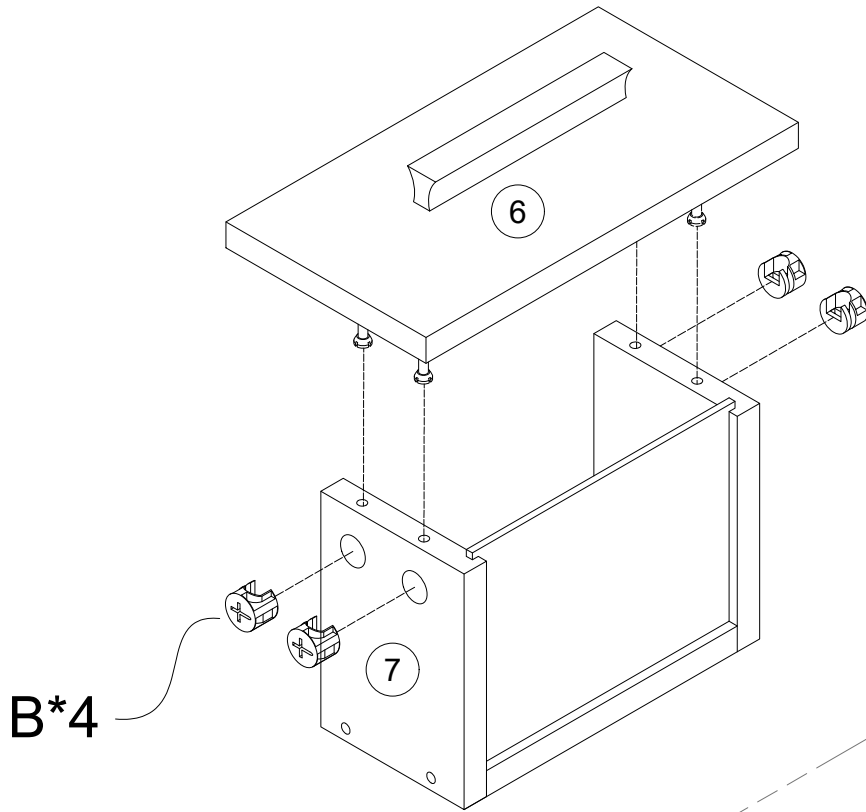




22

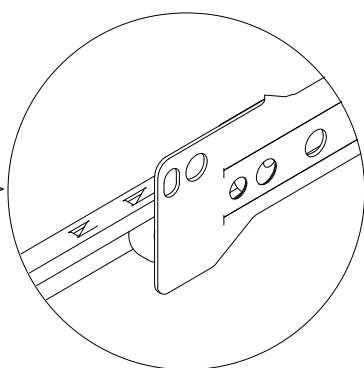
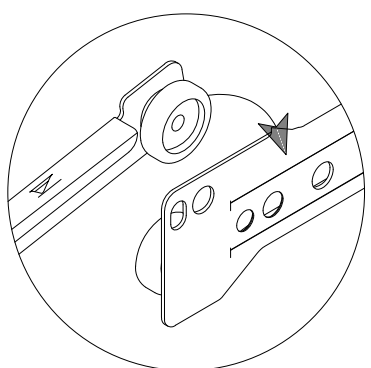
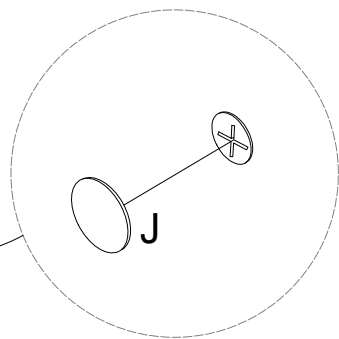
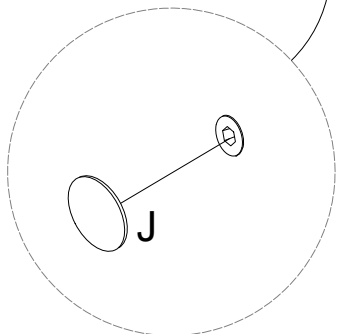
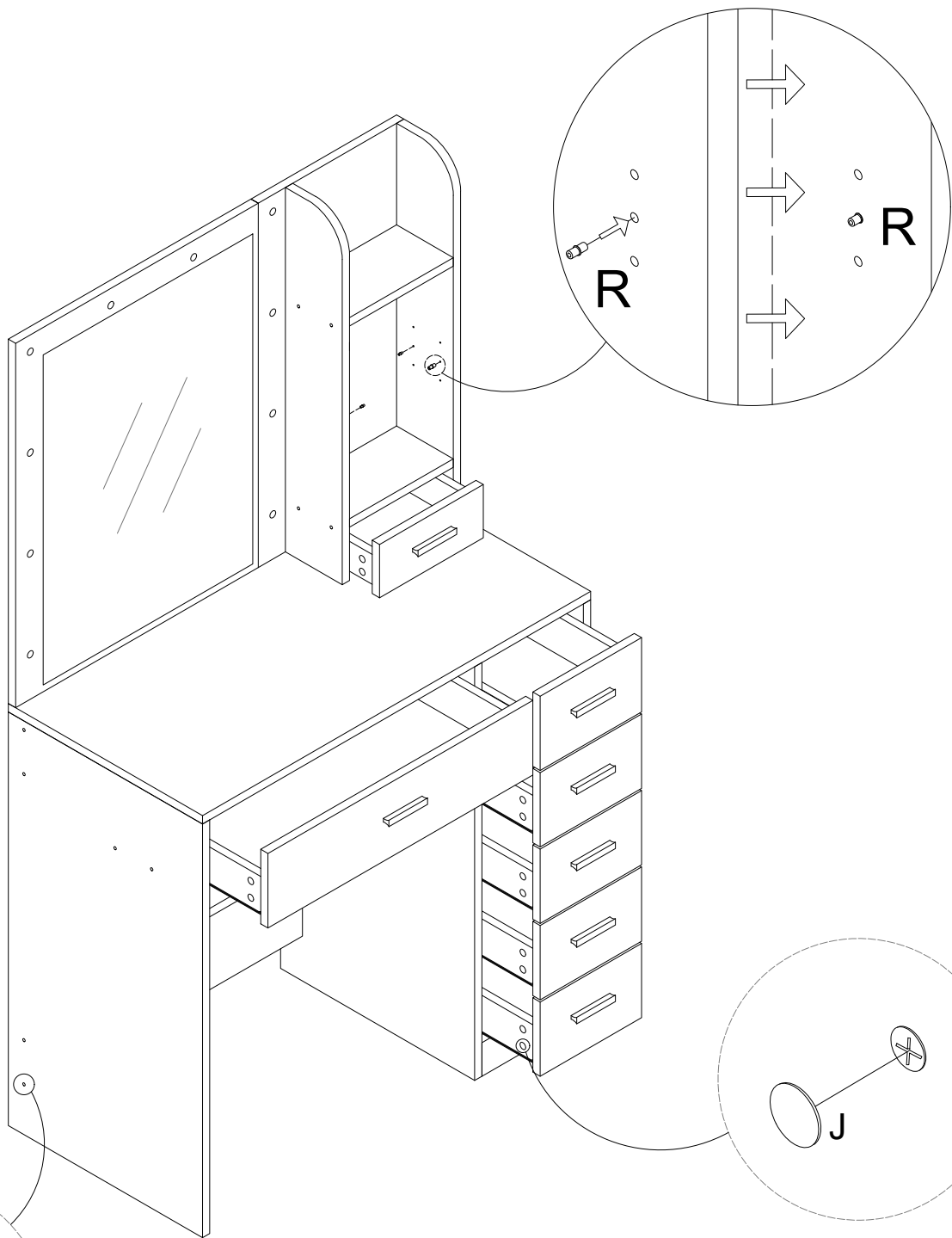


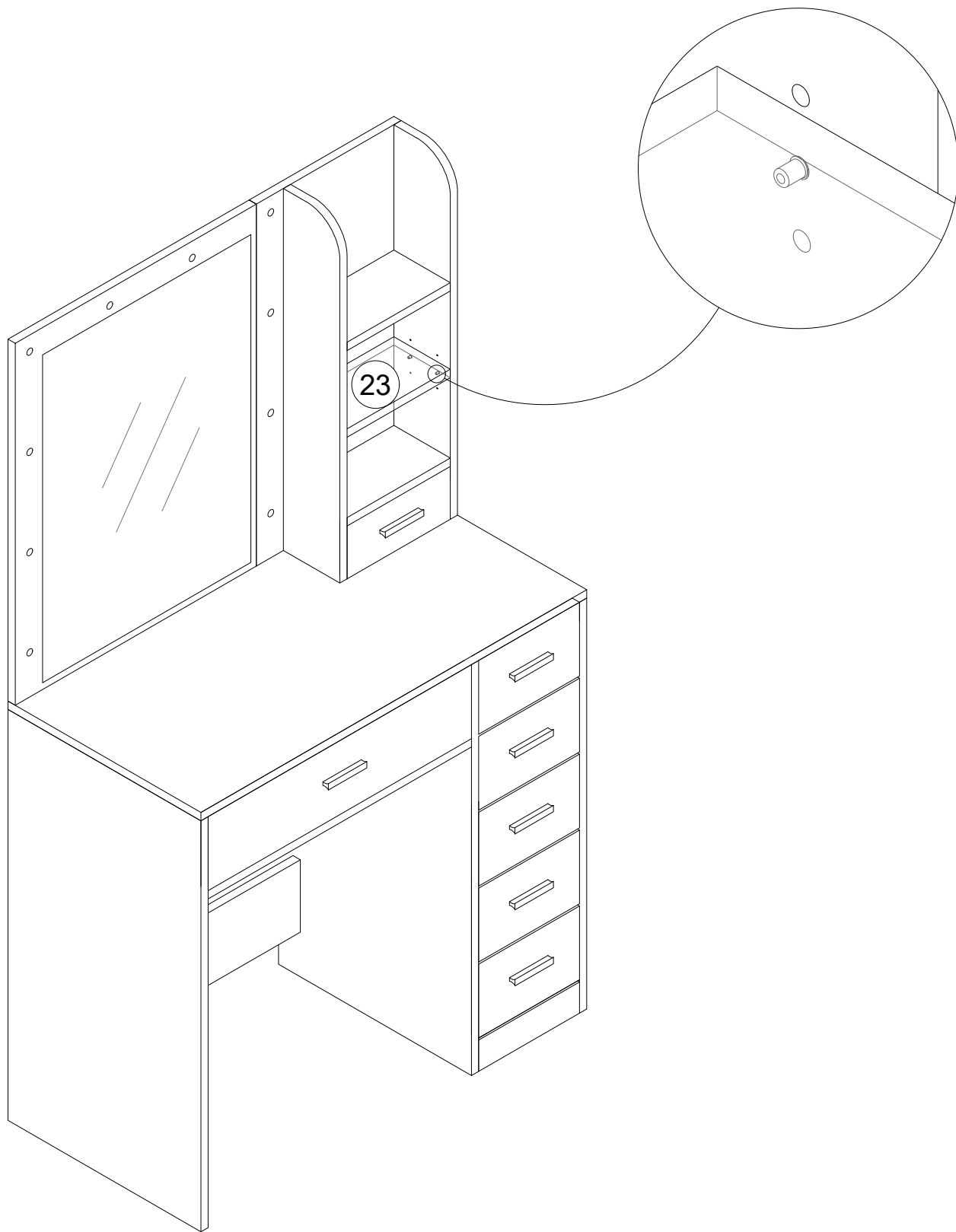


- B  X4
- Q  X2

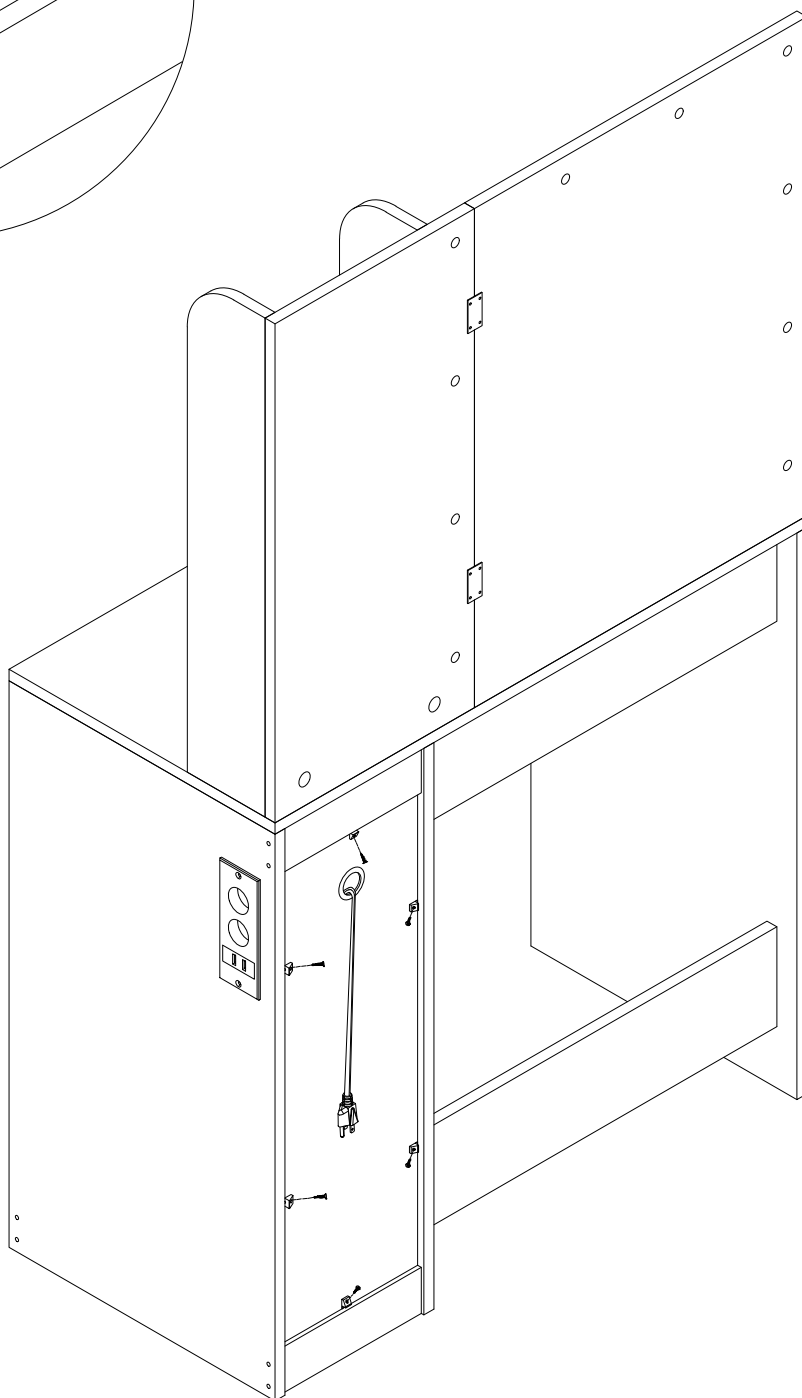
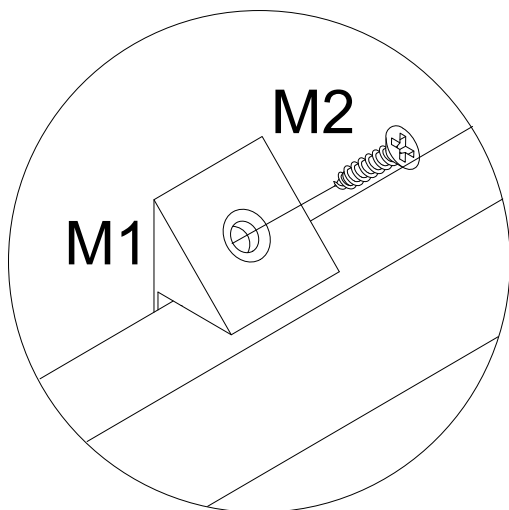
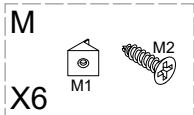


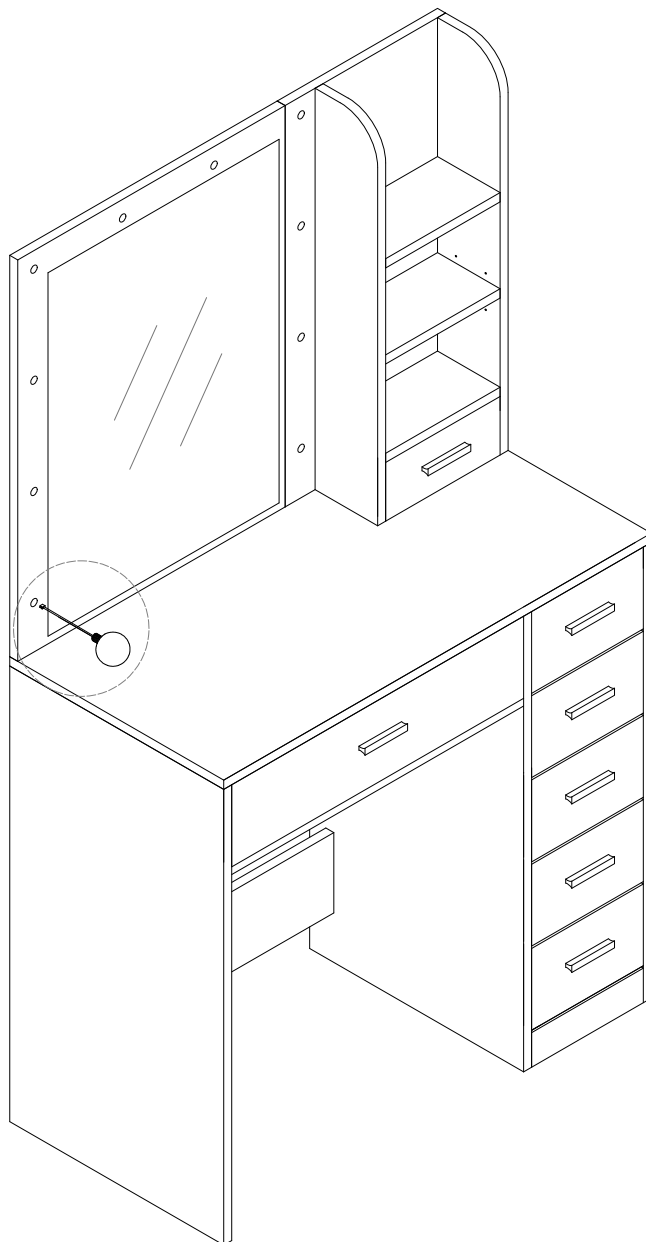
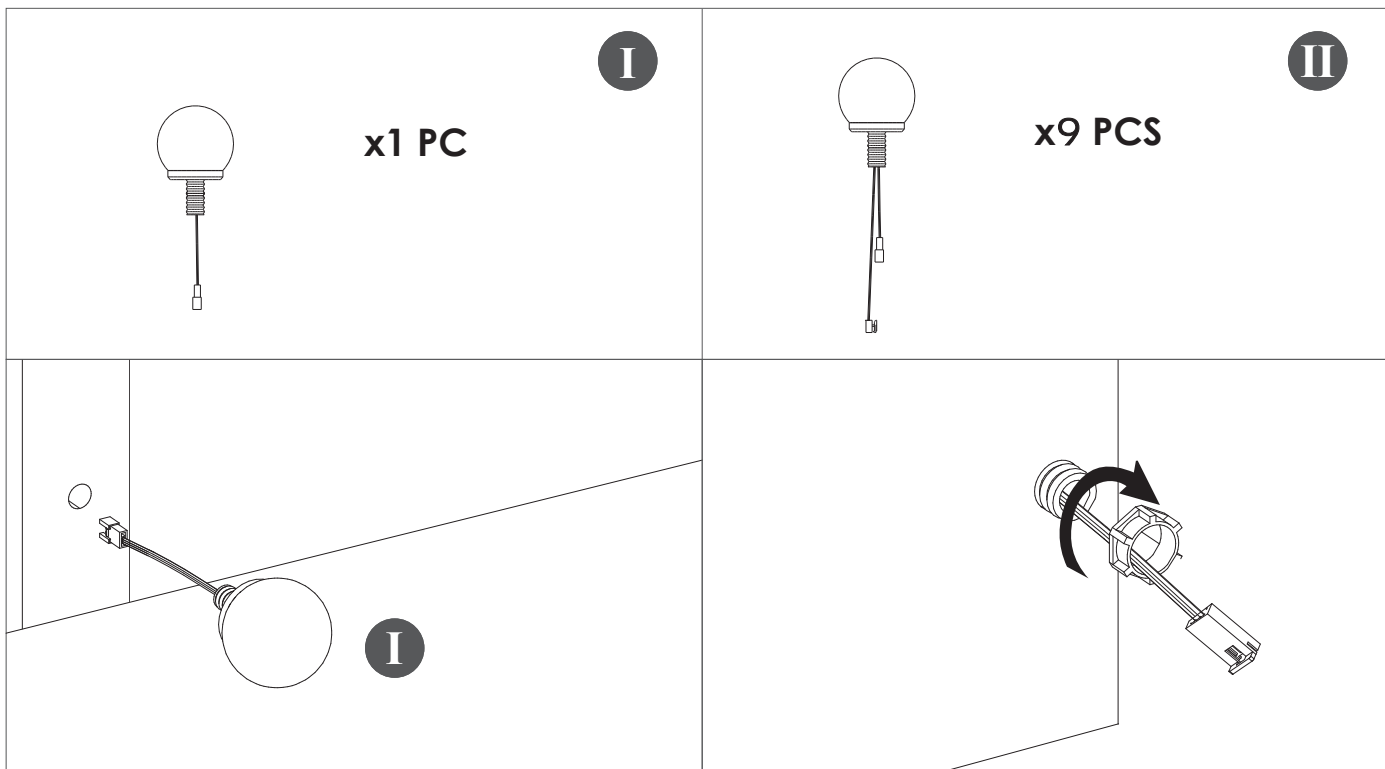
- R  X4
- J  X50

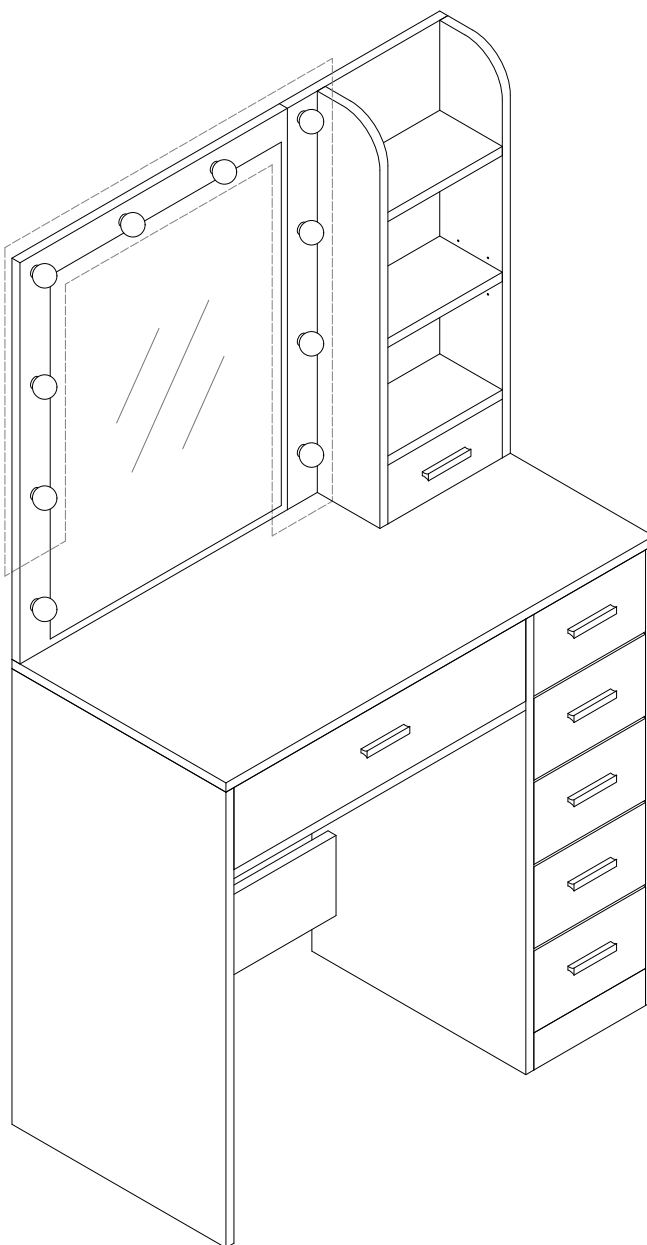
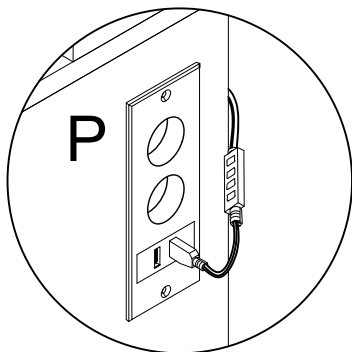
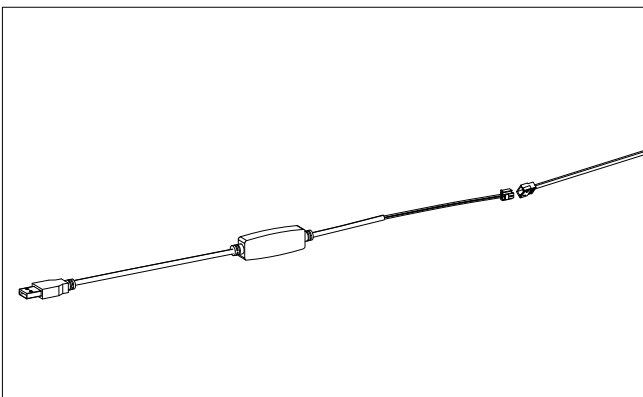
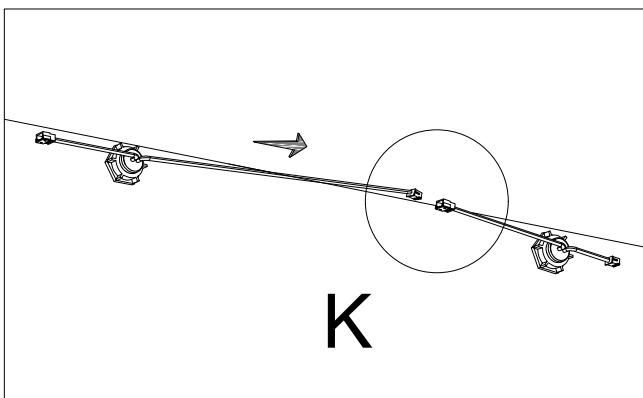
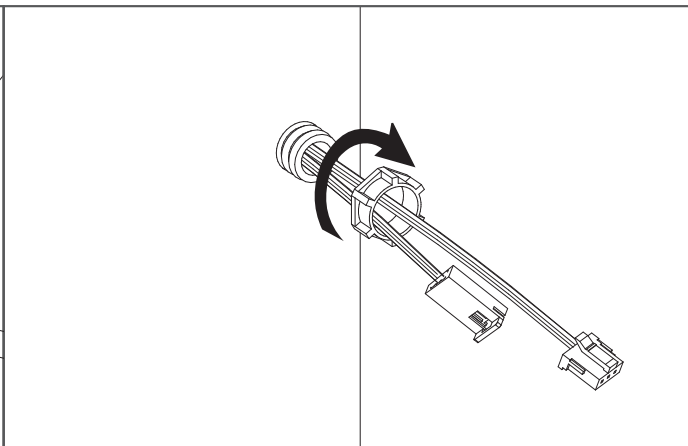
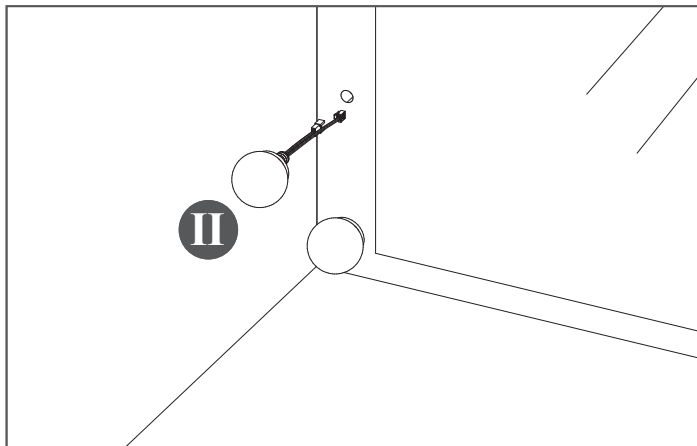




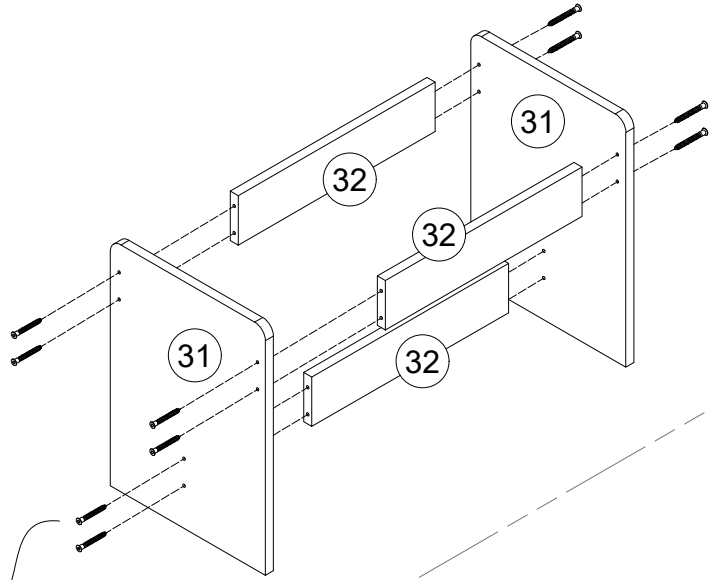
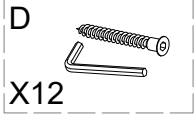
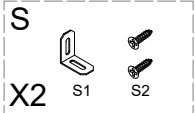
27



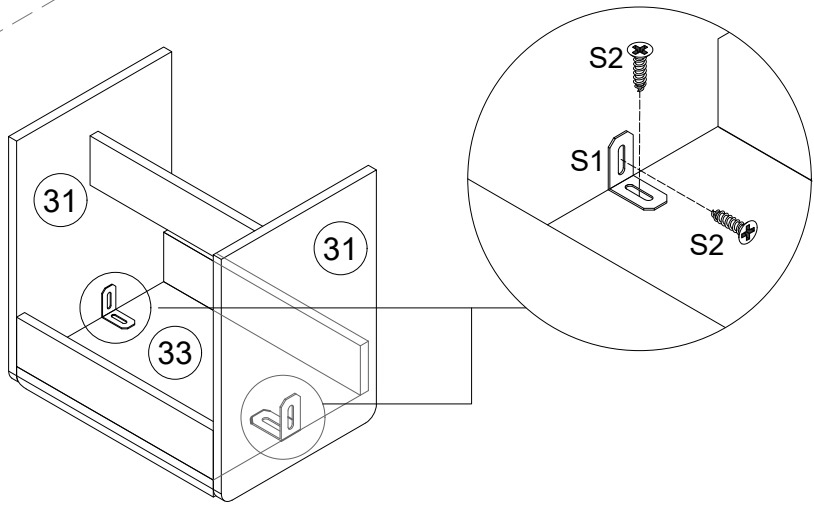
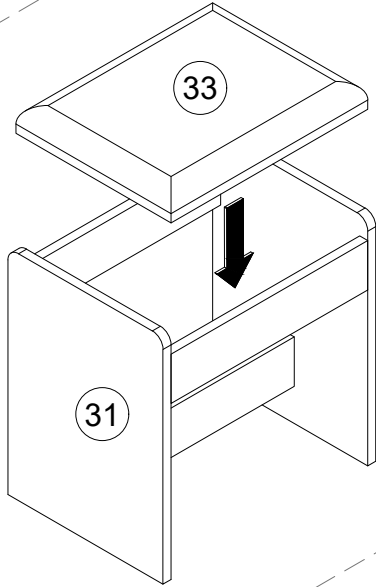


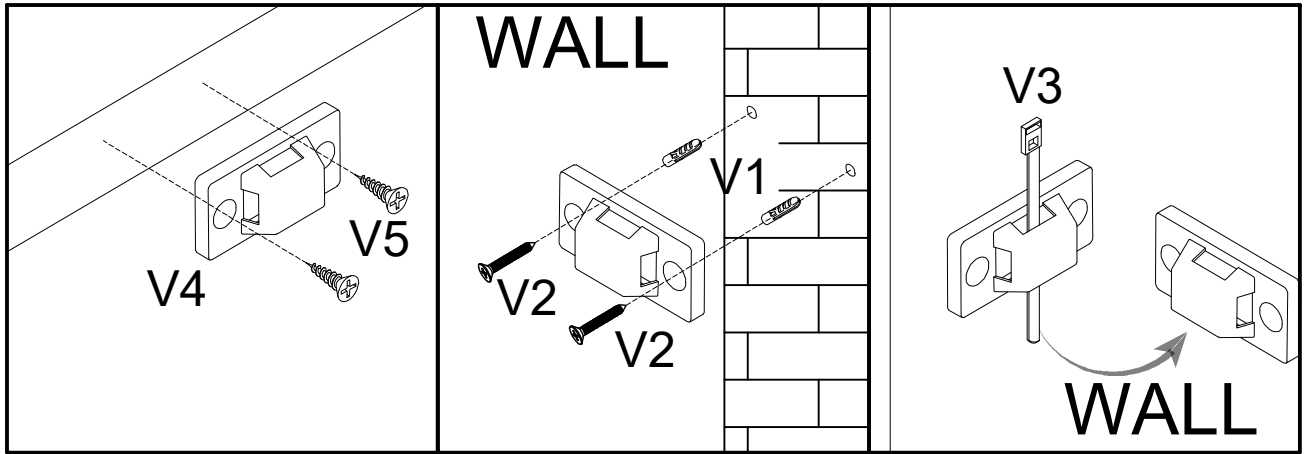
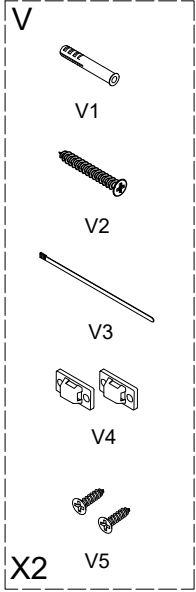


30



D*12





To prevent screw slipping, align the accessory holes precisely and tighten firmly without pilot holes.

