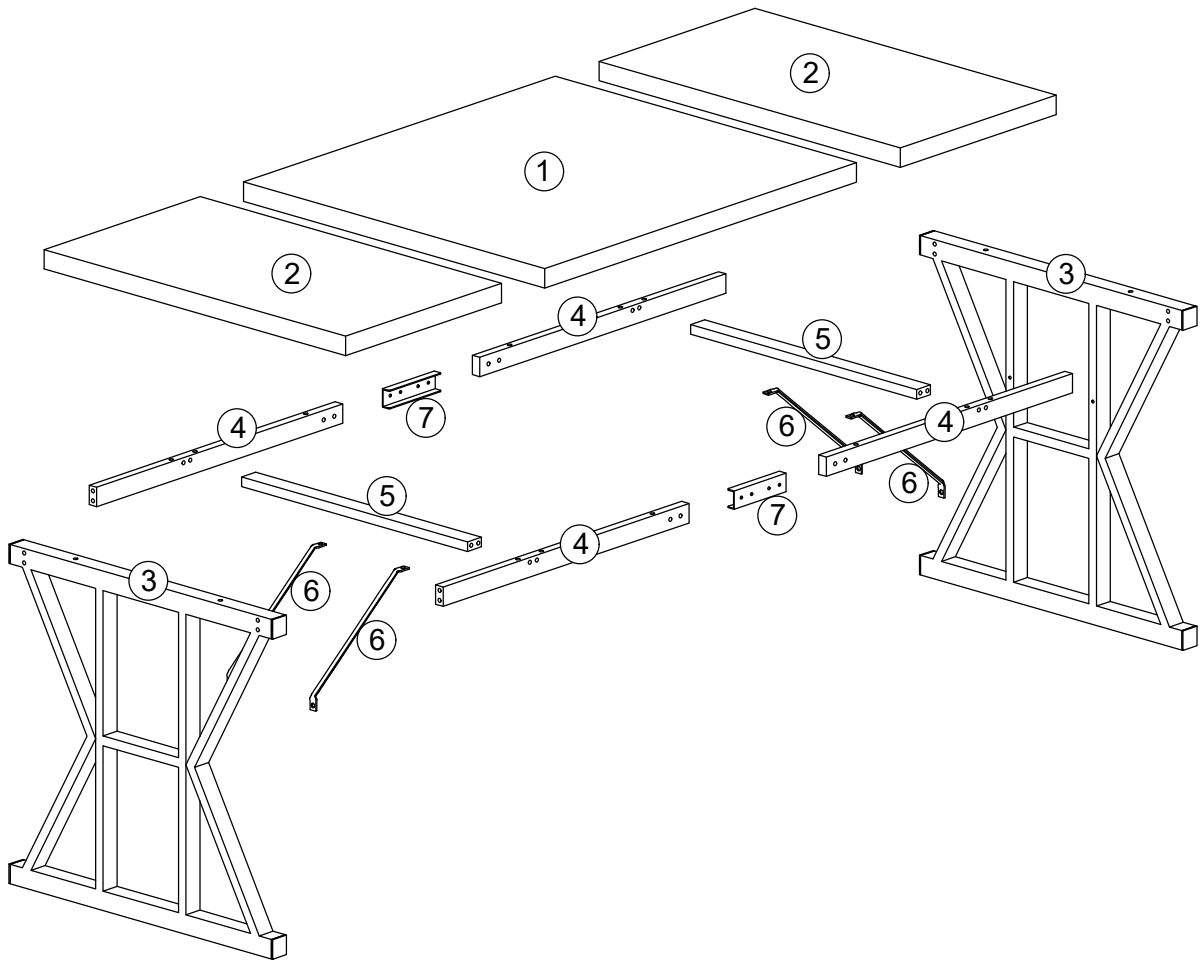


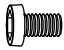


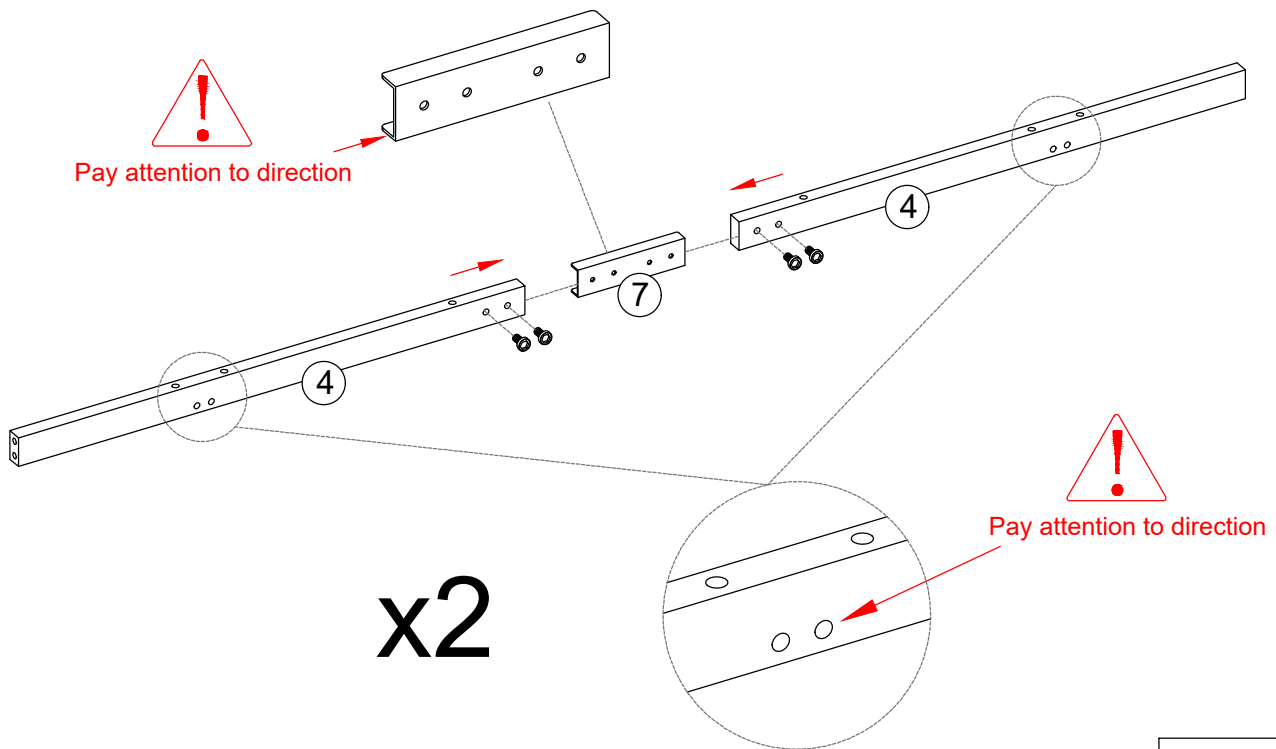




GAUTION:When tightening the screws,tighten sequentially.
Do not tighten any screws fully and then towards the next one.
When every part is OK,then tighten all the screws.



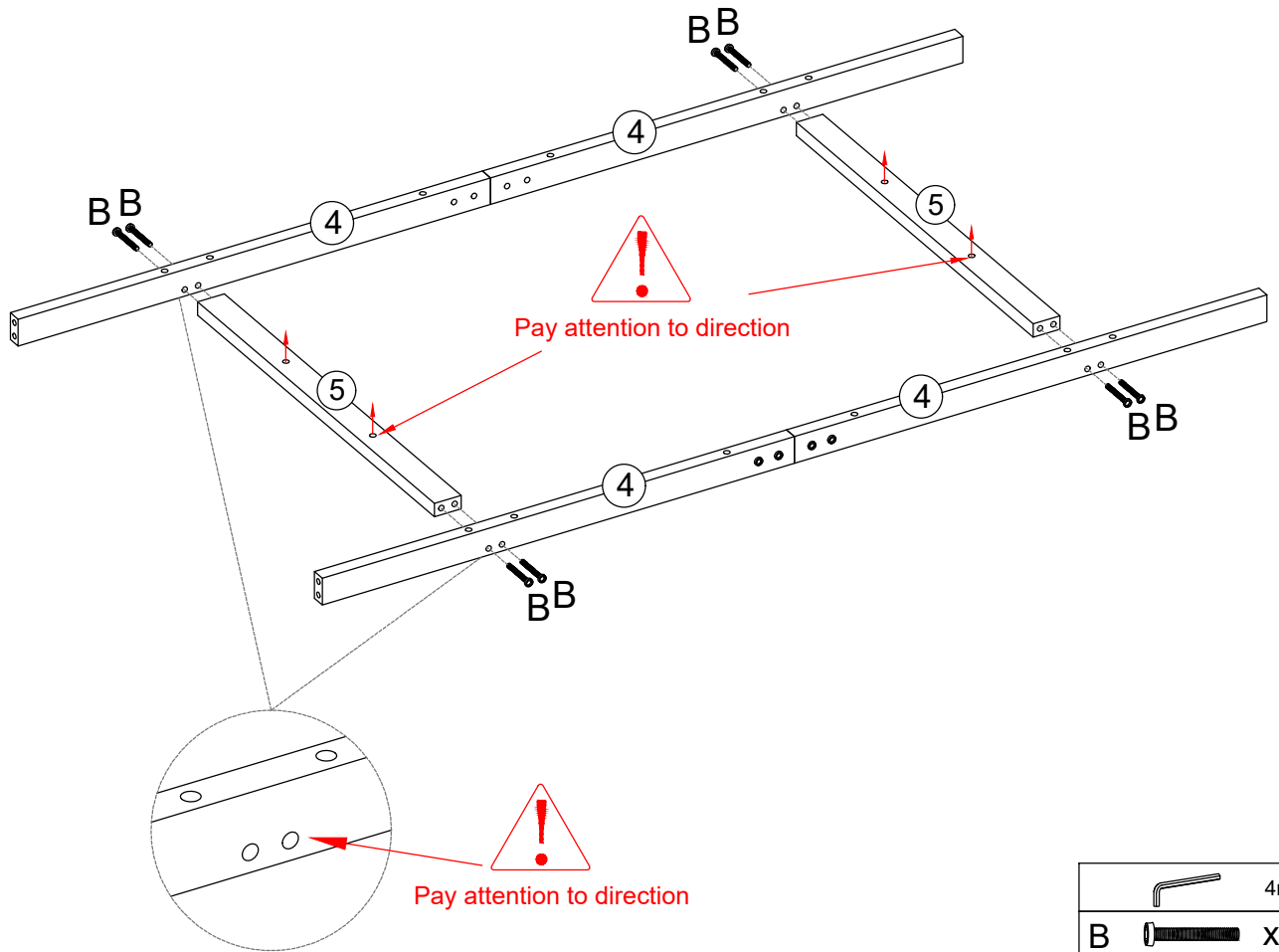
<p>A x 8+1</p>  <p>M6x60</p>	<p>B x 24+2</p>  <p>M6x50</p>	<p>C x 16+1</p>  <p>M6x12</p>	<p>D x 4</p>  <p>M6x15</p>	<p>TOOL</p>  <p>4mm</p>
----------------------------------------------------------------------------------------------------------------	------------------------------------------------------------------------------------------------------------------	------------------------------------------------------------------------------------------------------------------	-----------------------------------------------------------------------------------------------------------------	--------------------------------------------------------------------------------------------------------------

STEP 1

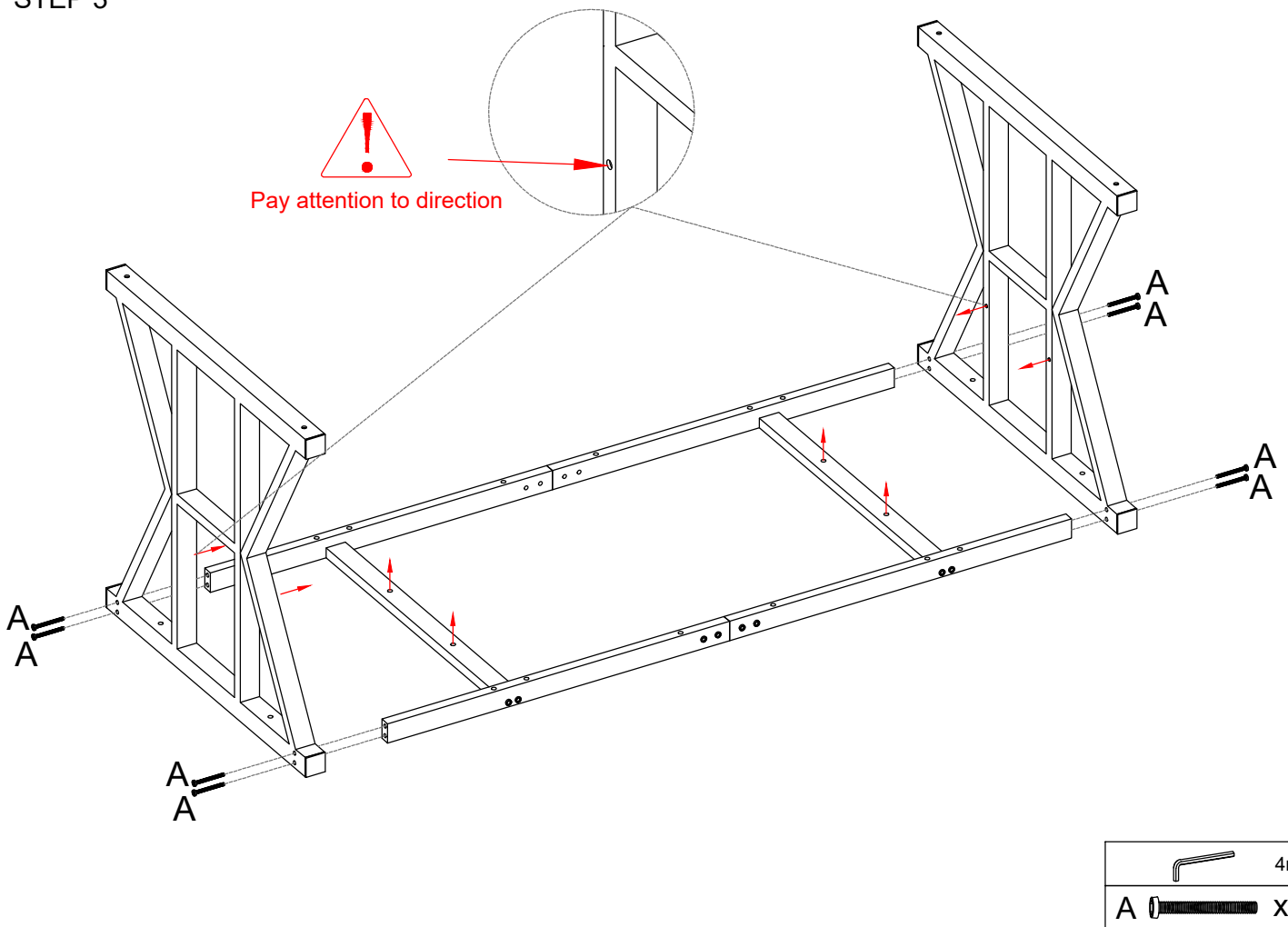


 <p>4mm</p>
<p>C</p>  <p>x8</p>

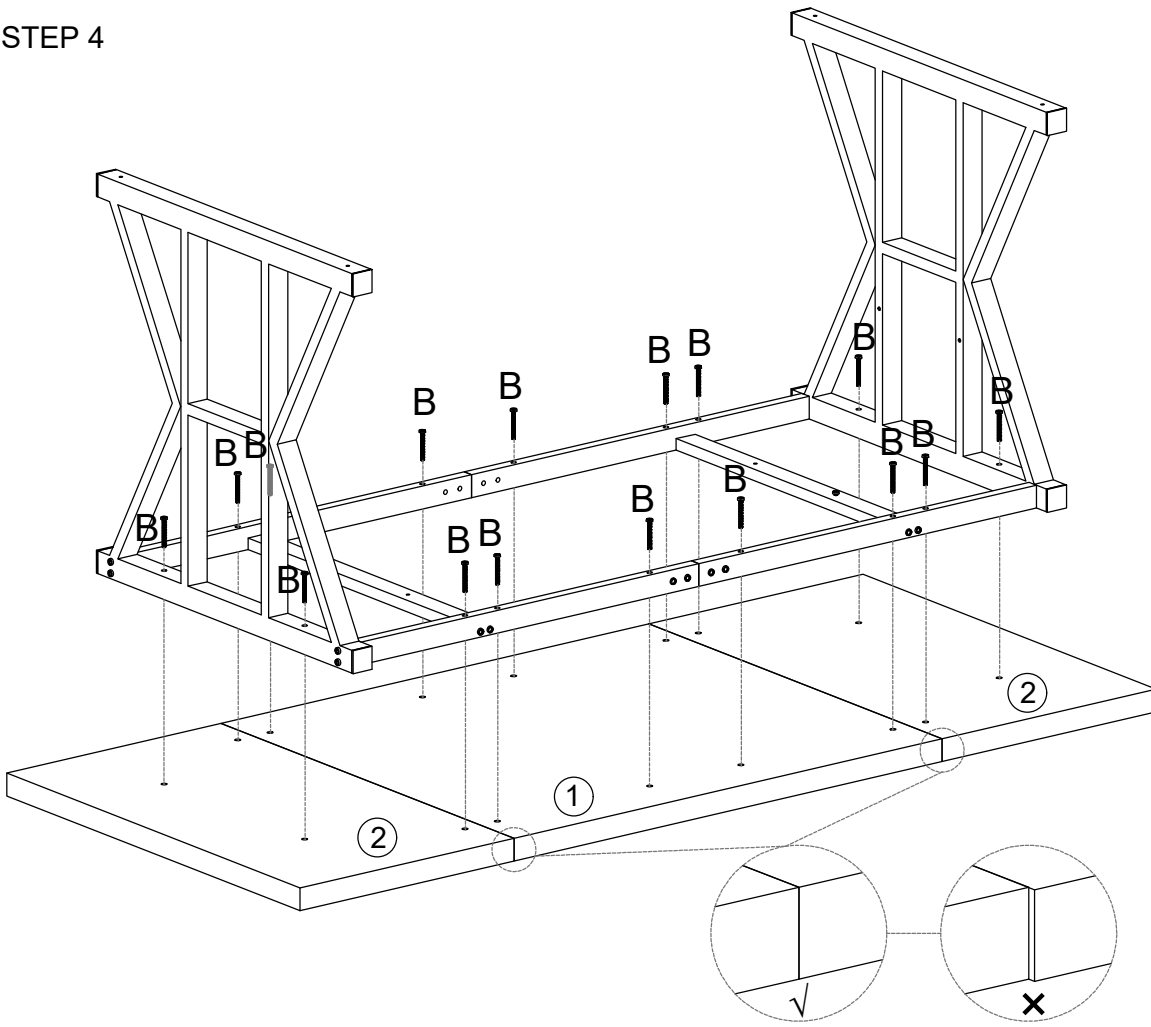
STEP 2



STEP 3



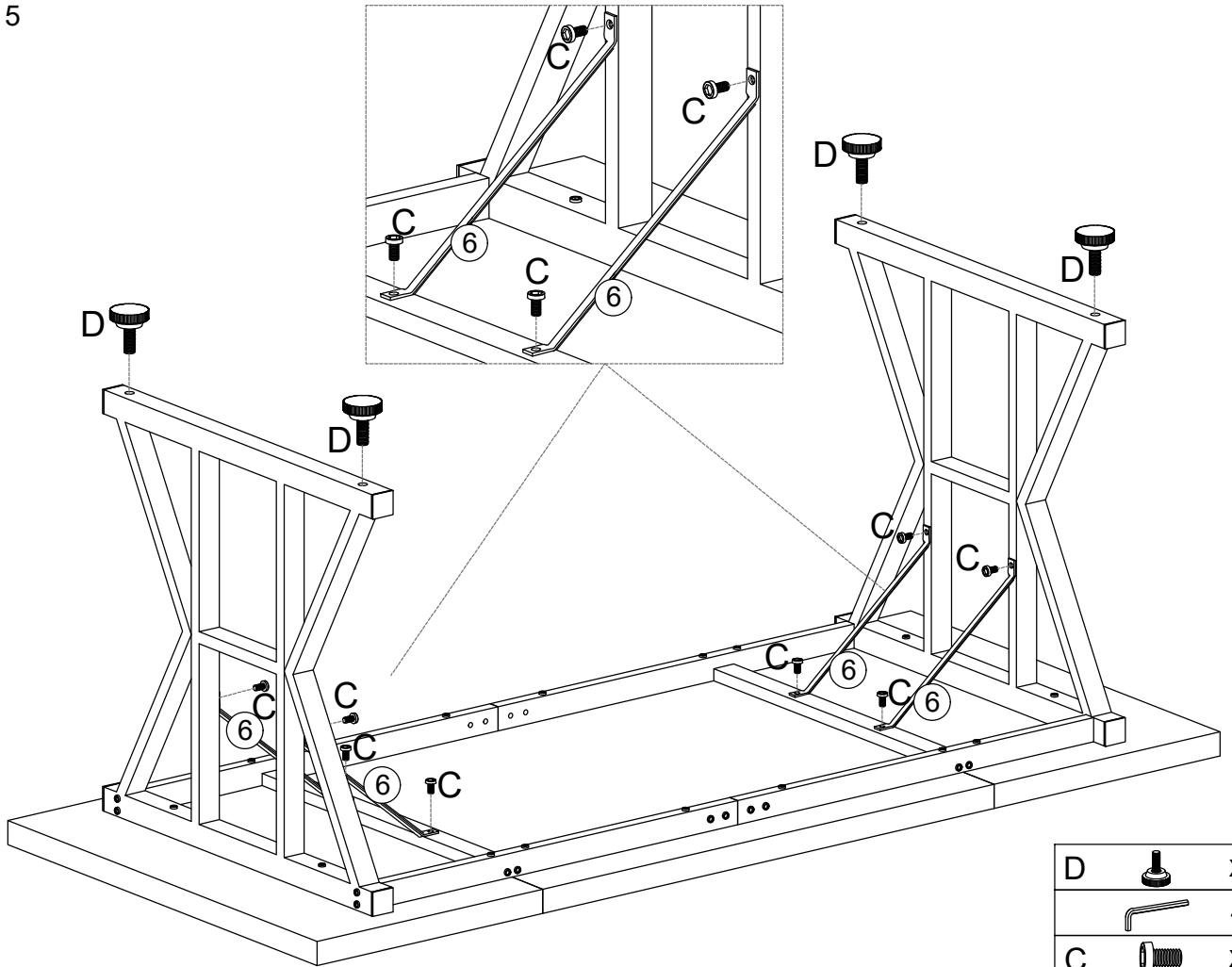
STEP 4



Adjust the gap and tighten the screws

	4mm
B	x16

STEP 5



D	x4
	4mm
C	x8