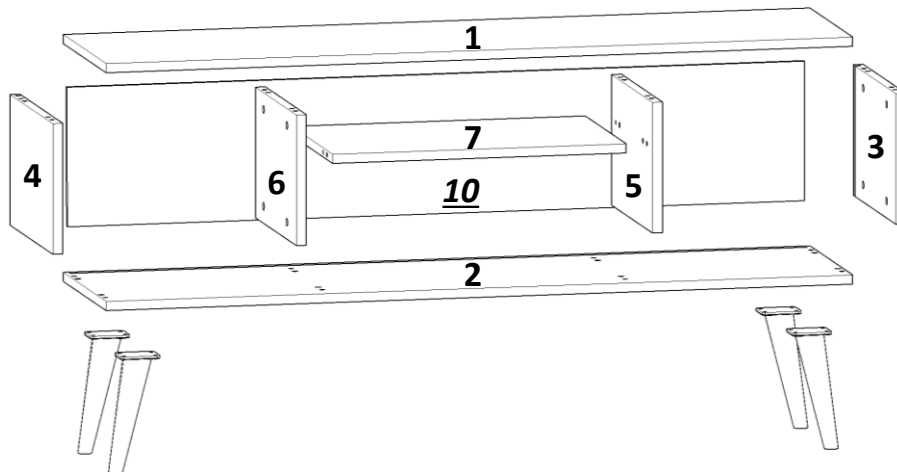
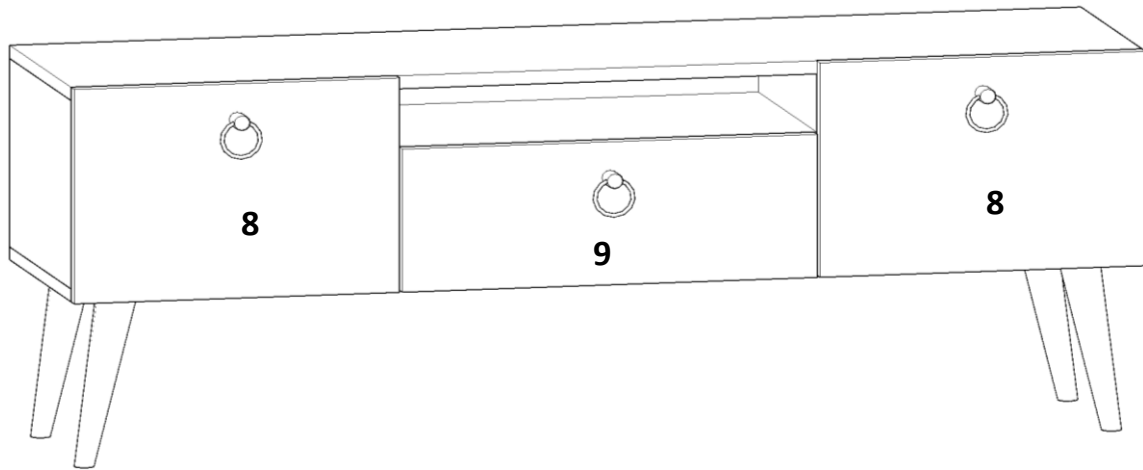



# Ece Tv Unit - Atlantic Pine - White




PIECE NO	PIECE NAME	PIECE QUANTITY
1	TOP TABLE ( 1400 mm X 350 mm )	1
2	BOTTOM TABLE ( 1400 mm X 350 mm )	1
3	RIGHT SIDE ( 264 mm X 350 mm )	1
4	LEFT SIDE ( 264 mm X 350 mm )	1
5	RIGHT STRUT ( 264 mm X 335 mm )	1
6	LEFT STRUT ( 264 mm X 335 mm )	1
7	MIDDLE SHELF ( 550 mm X 335 mm )	1
8	RIGHT - LEFT COVER ( 425 mm X 300 mm )	2
9	MIDDLE COVER ( 542 mm X 200 mm )	1
10	BACKREST( 4 mm ) ( 1382 mm X 282 mm )	1

**ACCESSORY : A**  
MINIFIX BODY




QTY DIM  
20 | Ø:15

**ACCESSORY : B**  
MINIFIX SHAFT




QTY DIM  
20 | Ø:8

**ACCESSORY : C**  
DOWEL




QTY DIM  
20 | Ø:8

**ACCESSORY : D**  
STAR SCREW




QTY DIM  
32 | 3,5x18

**ACCESSORY : E**  
STAR SCRFW



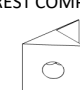
QTY DIM  
16 | 4x25

**ACCESSORY : F**  
HINGE




QTY DIM  
6 |

**ACCESSORY : G**  
BACKREST COMPRESSOR



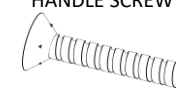
QTY DIM  
8 |

**ACCESSORY : H**  
HANDLE




QTY DIM  
3 |

**ACCESSORY : J**  
HANDLE SCREW



QTY DIM  
3 | 4x22

**ACCESSORY : K**  
FOOT

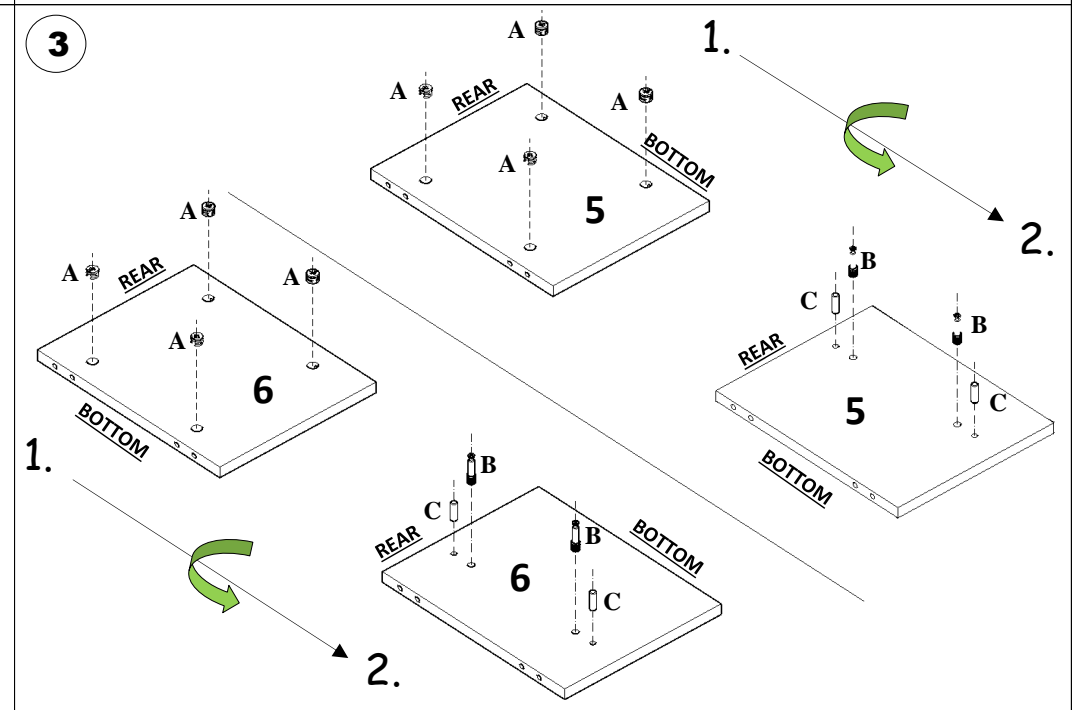
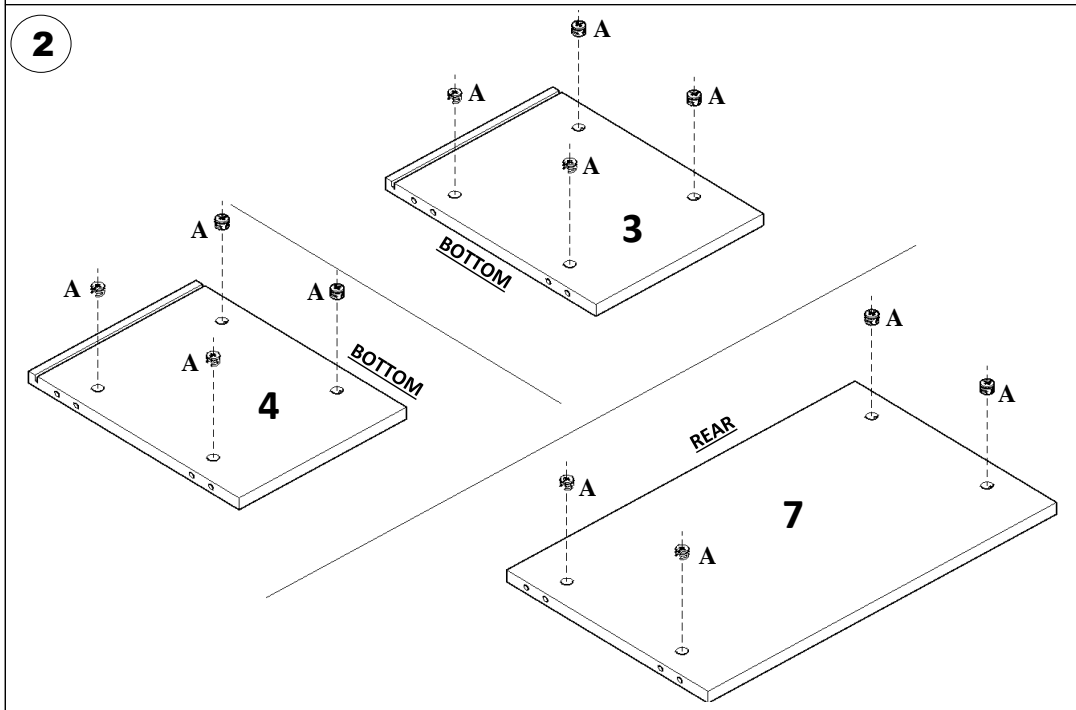
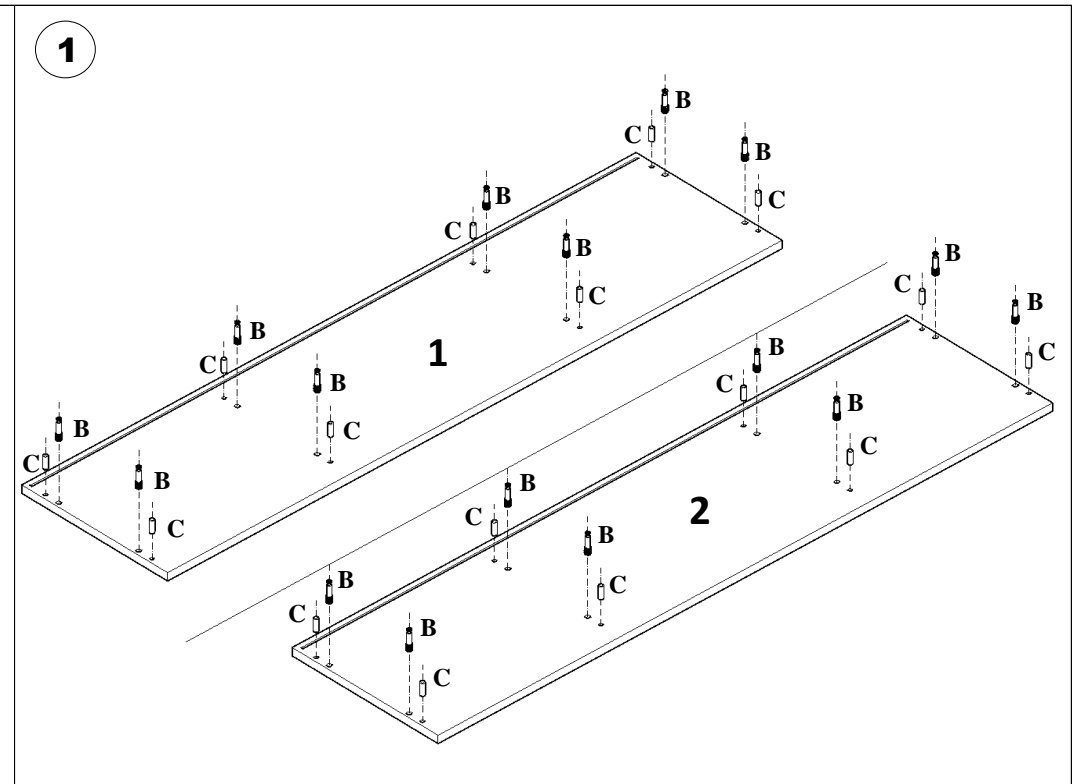
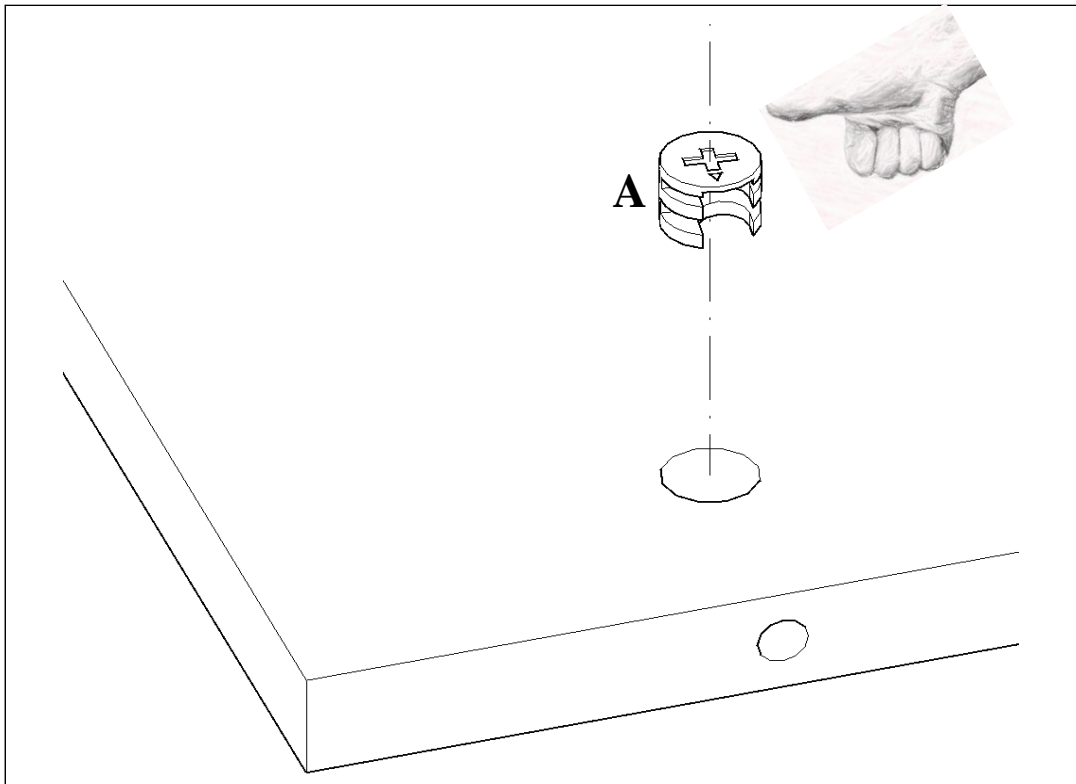


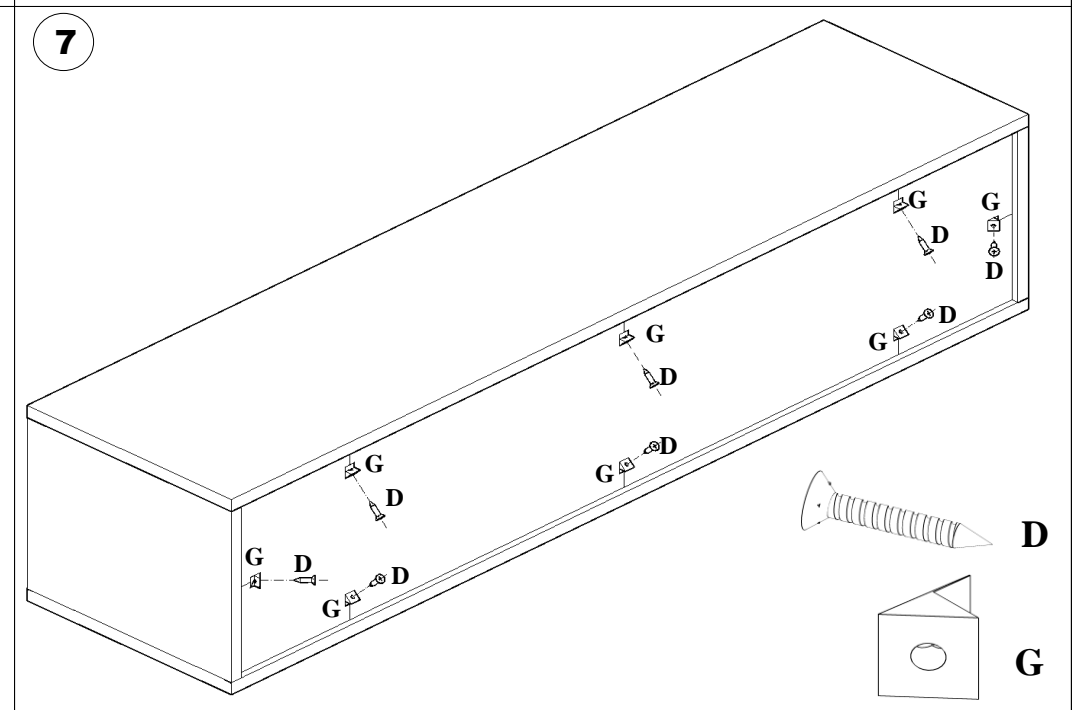
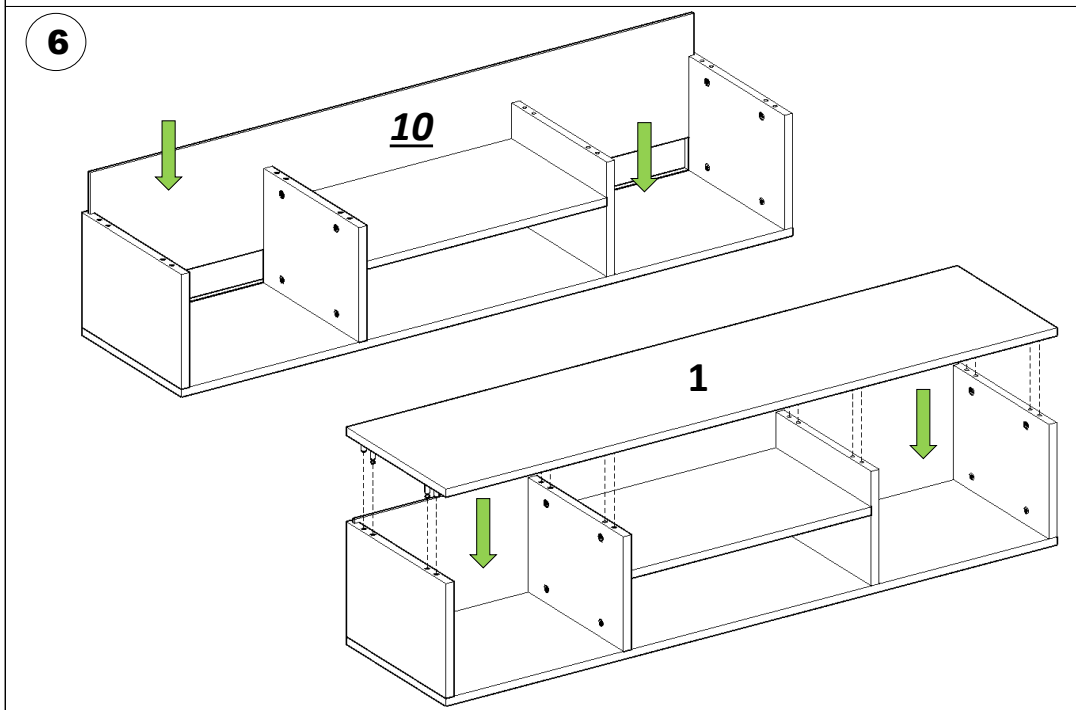
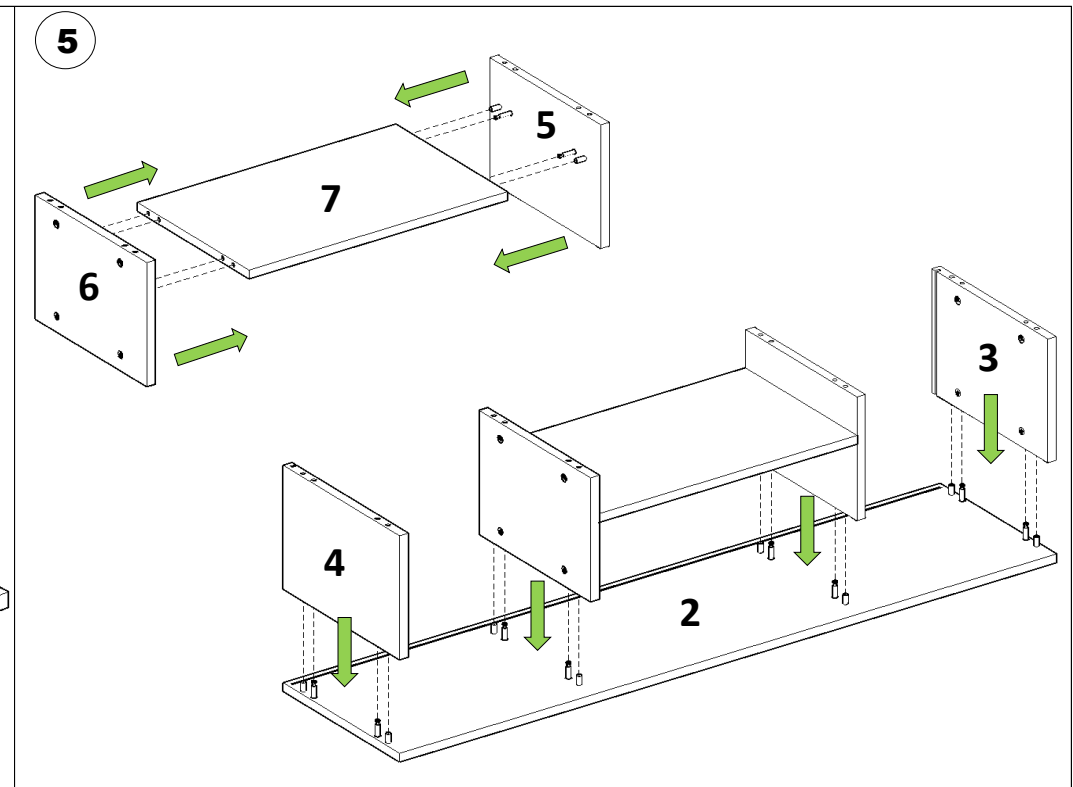
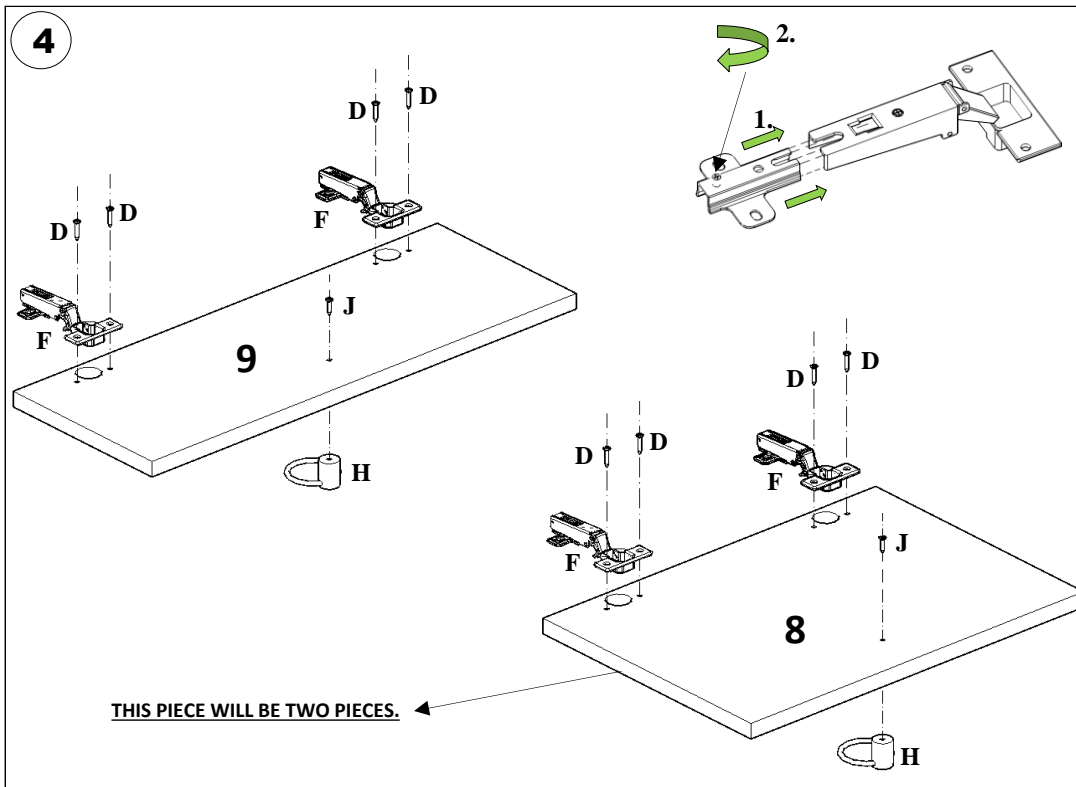
K1 K2  
QTY DIM  
4 |

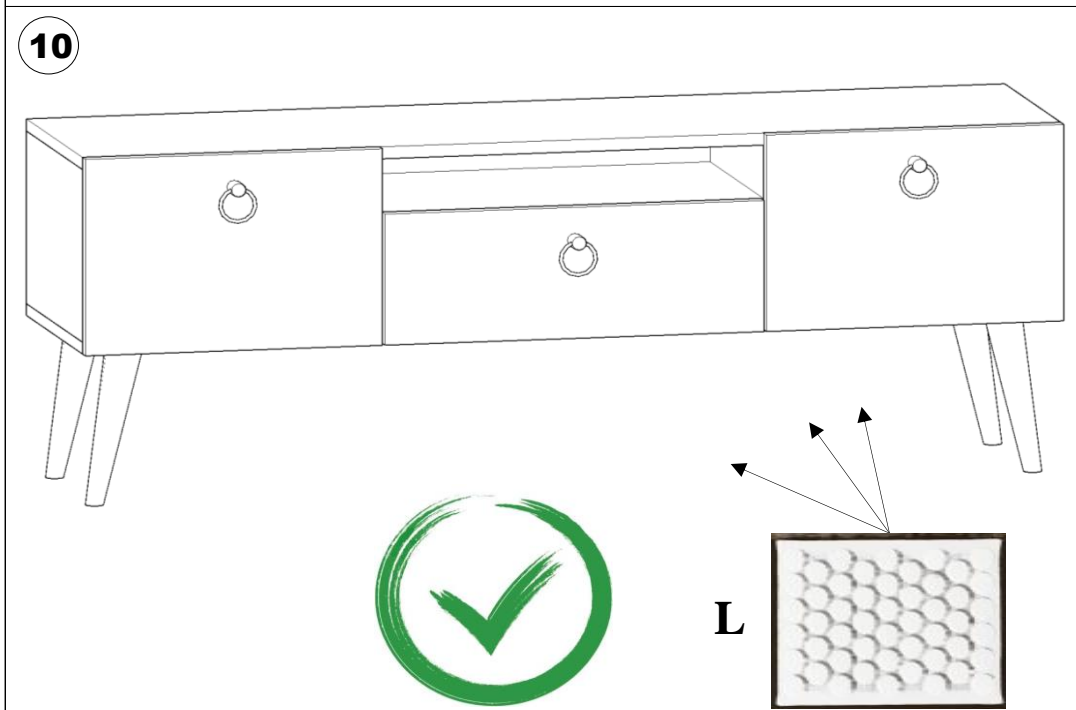
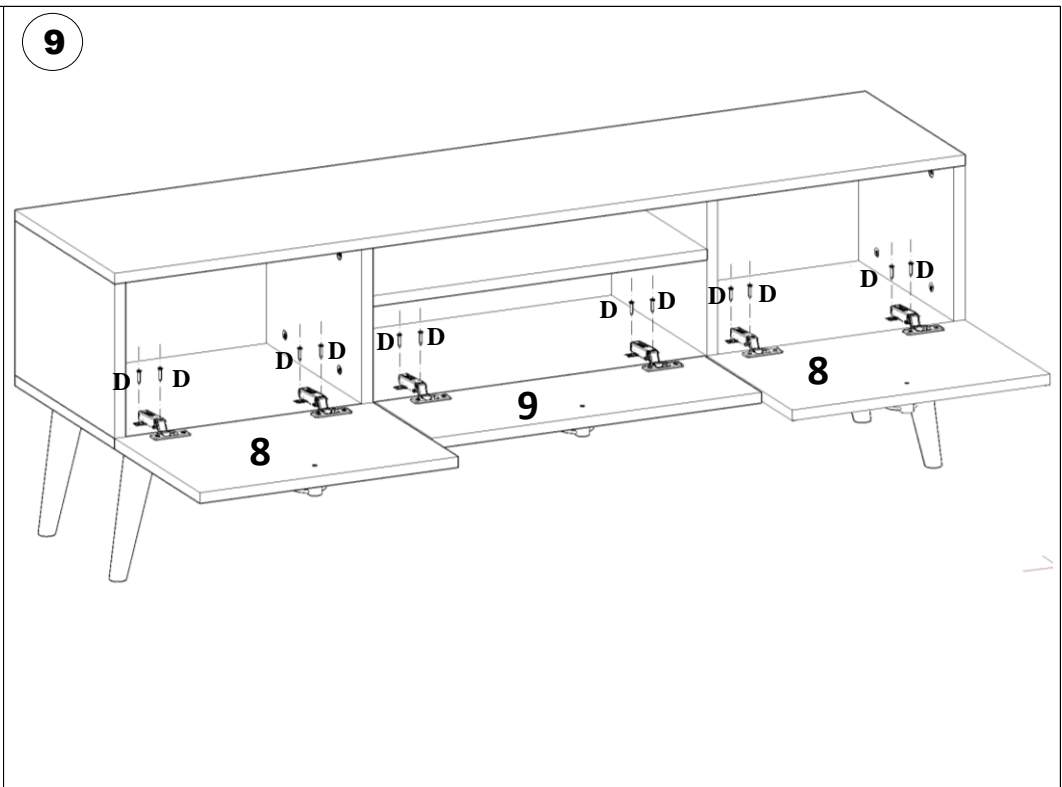
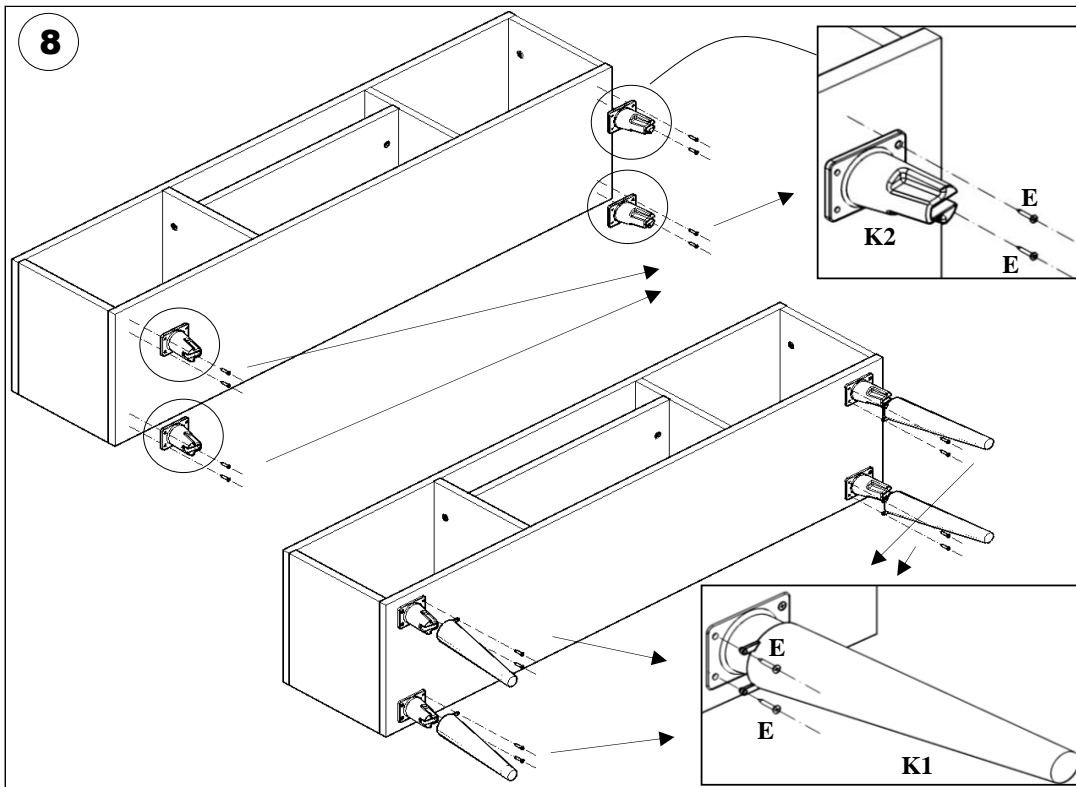
**ACCESSORY : L**  
MINIFIX COVER



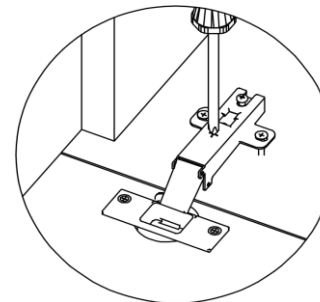
QTY DIM  
20 |



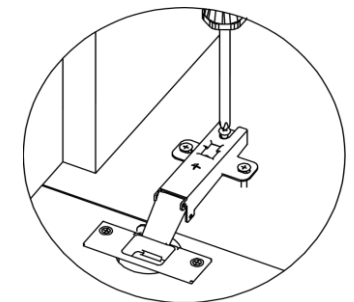




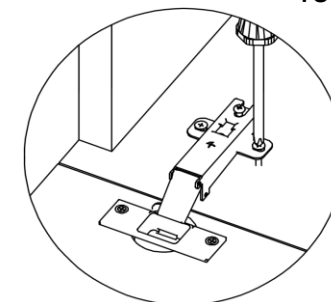
**COVER ADJUSTMENTS**



UP - DOWN ADJUSTMENT



FORWARD - BACK ADJUSTMENT



RIGHT - LEFT ADJUSTMENT