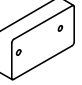
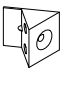

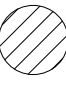


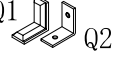








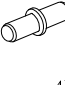
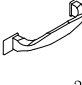

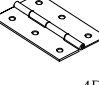


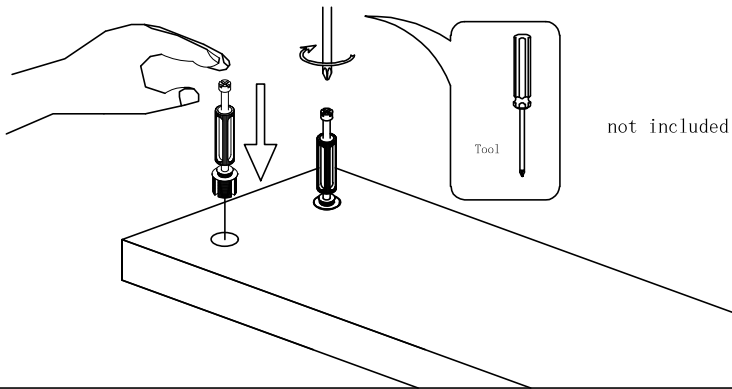
| | | | | | | | | | | |
|--|---|---|-------|---|---|---|---|---|---|---|
| K | L | M | 3*12 | N | O | P | Q | R | S | |
|  |  |  | |  |  |  |  |  |  | |
| 4PCS | 16PCS | 16PCS | 12PCS | 12PCS | 2PCS | 2PCS | 2PCS | 2PCS | 1PC | |
| A | B | C | 8*40 | D | E | F | G | H | I | J |
|  |  |  | |  |  |  |  |  |  |  |
| 62PCS | 62PCS | 36PCS | 38PCS | 8PCS | 14PCS | 4PCS | 3PCS | 6PCS | 4PCS | |



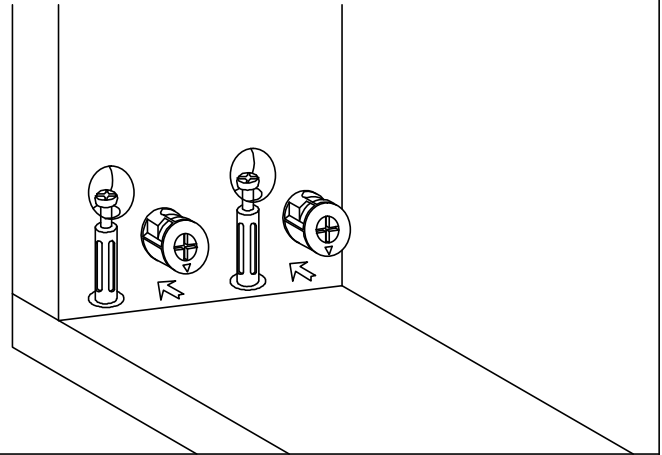
Hardware installation demonstration

NOTE: Please make sure "A" hardware tightened and can't be pulled out!

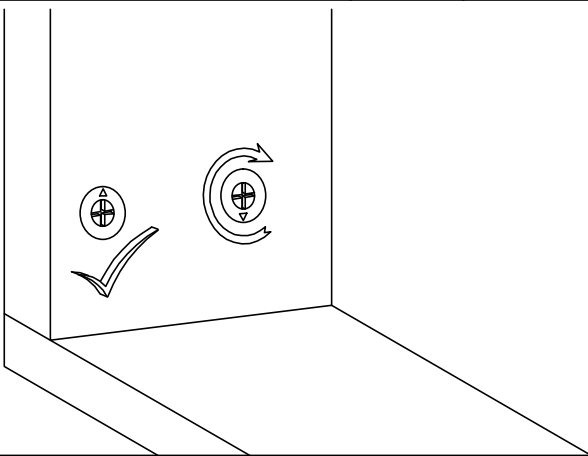
I



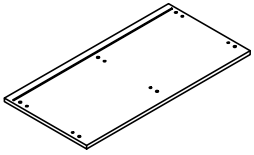
II



III

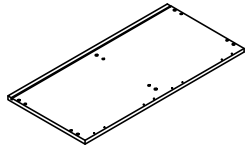


1



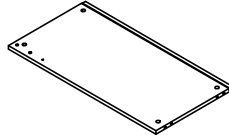
800*400 1PS

2



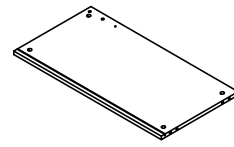
778*376 1PS

3



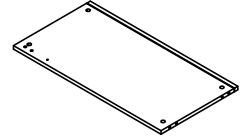
720*376 1PS

4



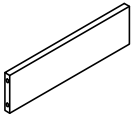
720*376 1PS

5



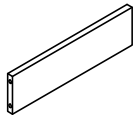
720*376 1PS

6



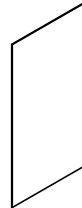
365*100 1PS

7



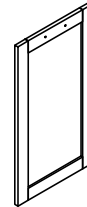
365*100 1PS

8



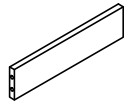
730*374 1PS

9



666*362 2PS

10



330*80 2PS

11



230*80 2PS

12



230*80 2PS

13



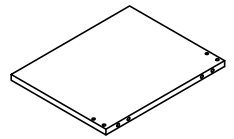
480*60 2PS

14



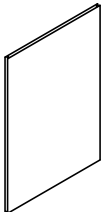
480*60 2PS

15



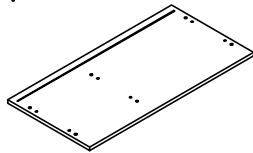
362*290 2PS

16



331*479 2PS

17



800*400 1PS

18



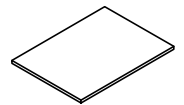
815*376 1PS

19



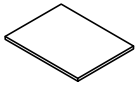
815*376 1PS

20



453.5*338 1PS

21



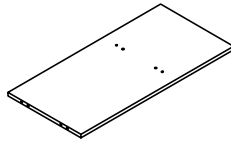
272.5*354 2PS

22



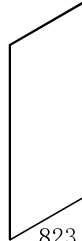
600*356 1PS

23



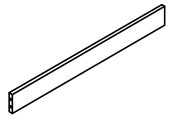
745*356 1PS

24



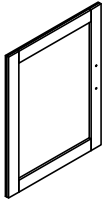
823.5*376.5 2PS

25



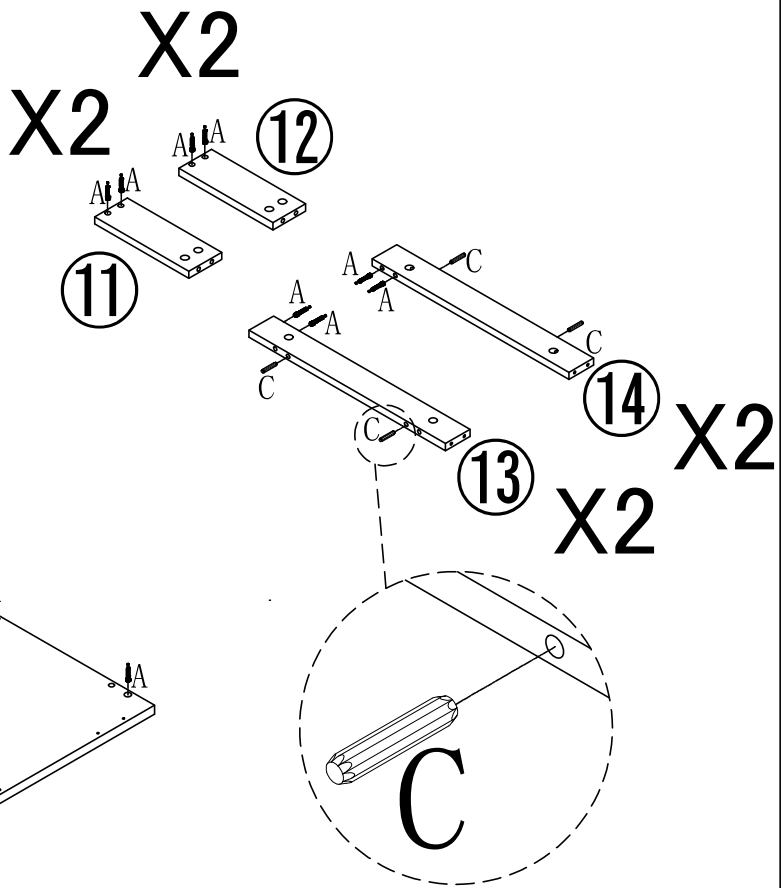
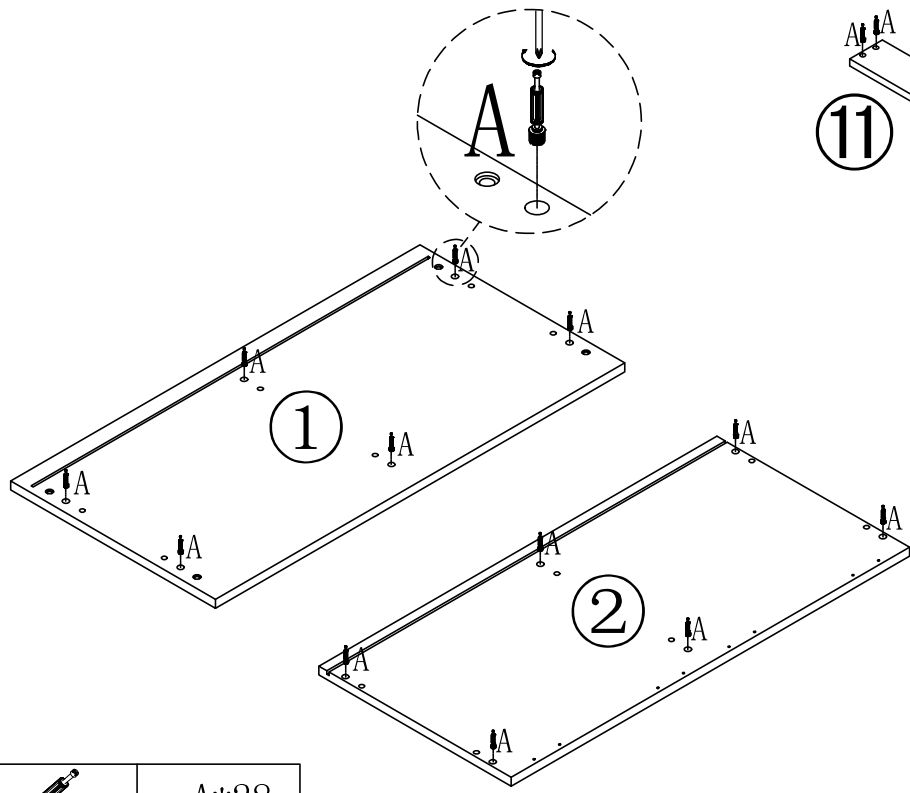
745*80 1PS



26



596*452 1PS

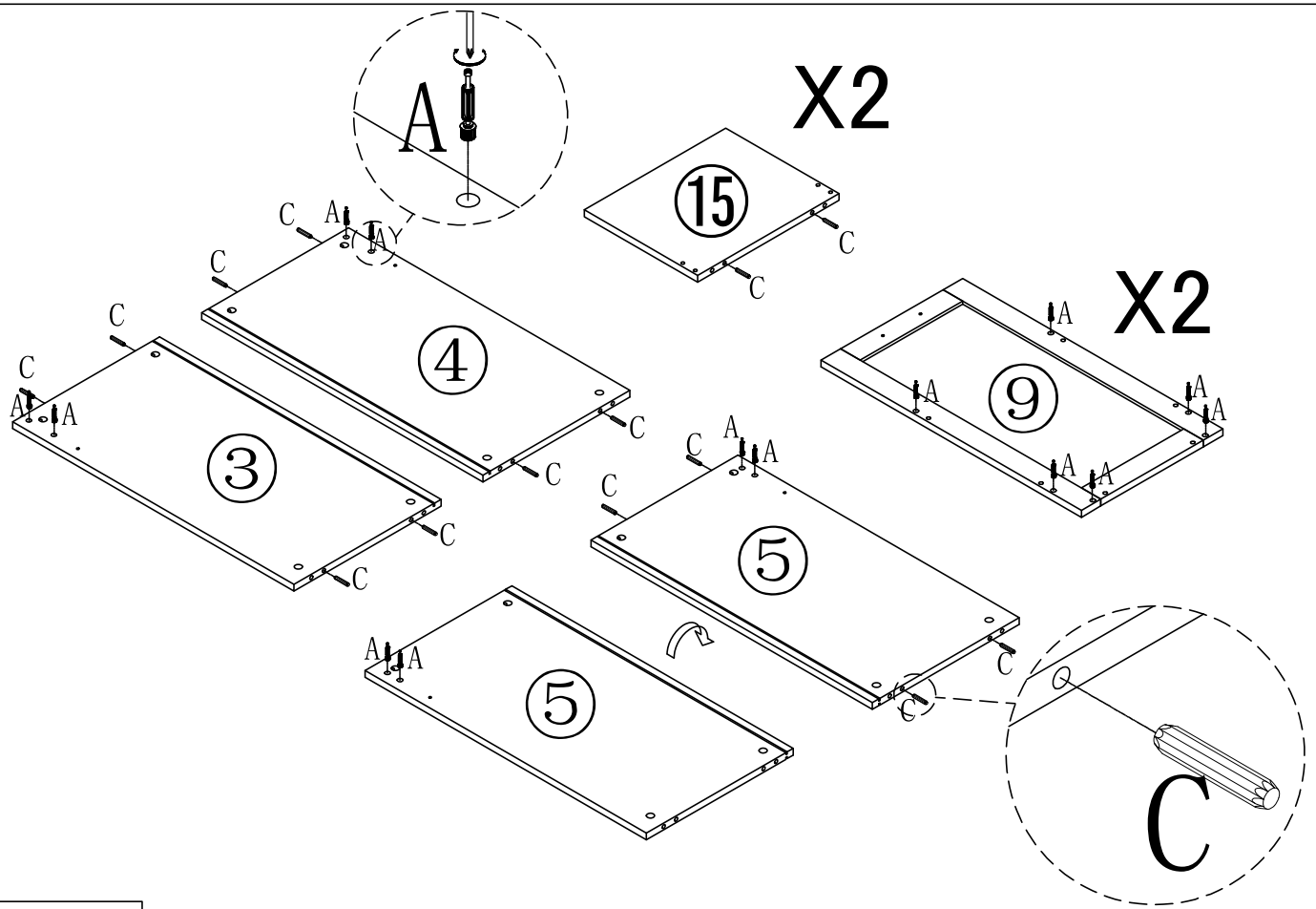
①





| | |
|--|------|
|  | A*28 |
|  | C*8 |

put A on board ①②⑪⑫⑬⑭
 put C on board ⑬⑭

②

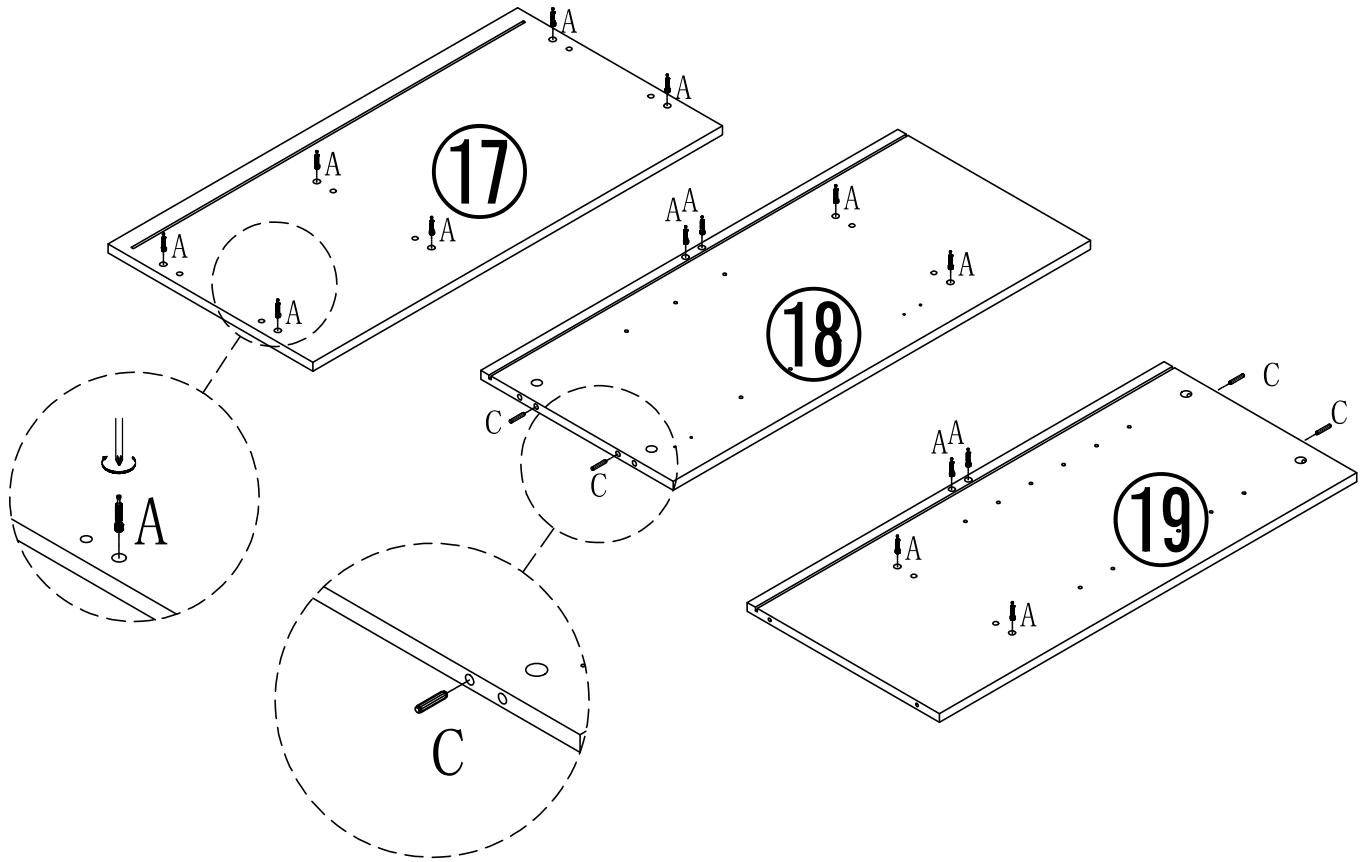




| | |
|--|------|
|  | A*20 |
|  | C*16 |

put A on board ③④⑤⑨
put C on board ③④⑤⑬

Make sure the arrow on the screw align to the hole on the side.

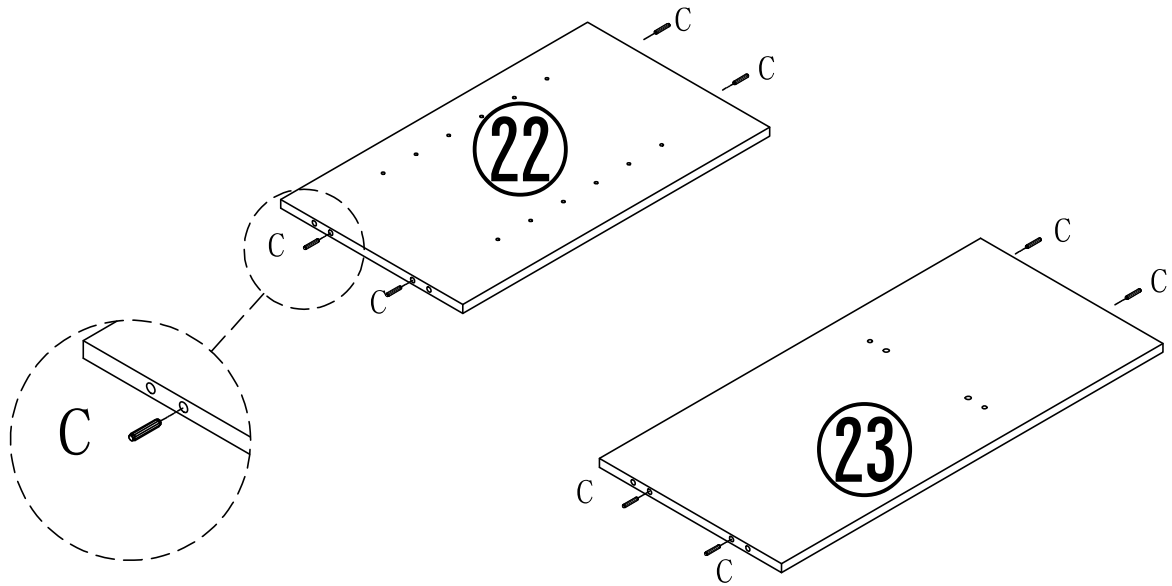
3




| | |
|--|------|
|  | A*14 |
|  | C*4 |

put A on board 17 18 19
put C on board 18 19

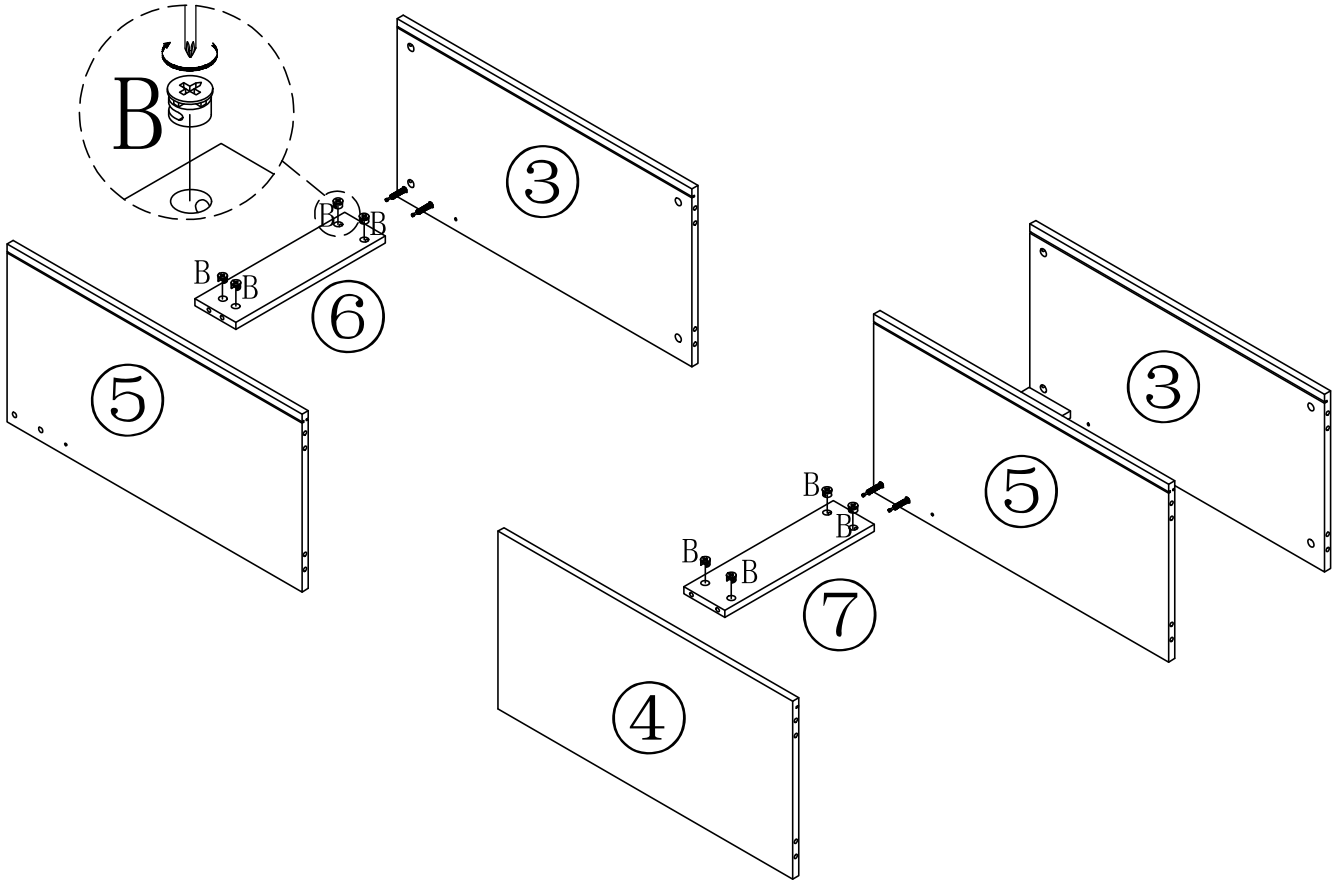
4



put C on board 22 23

| | |
|--|-----|
|  | C*8 |
|--|-----|

5



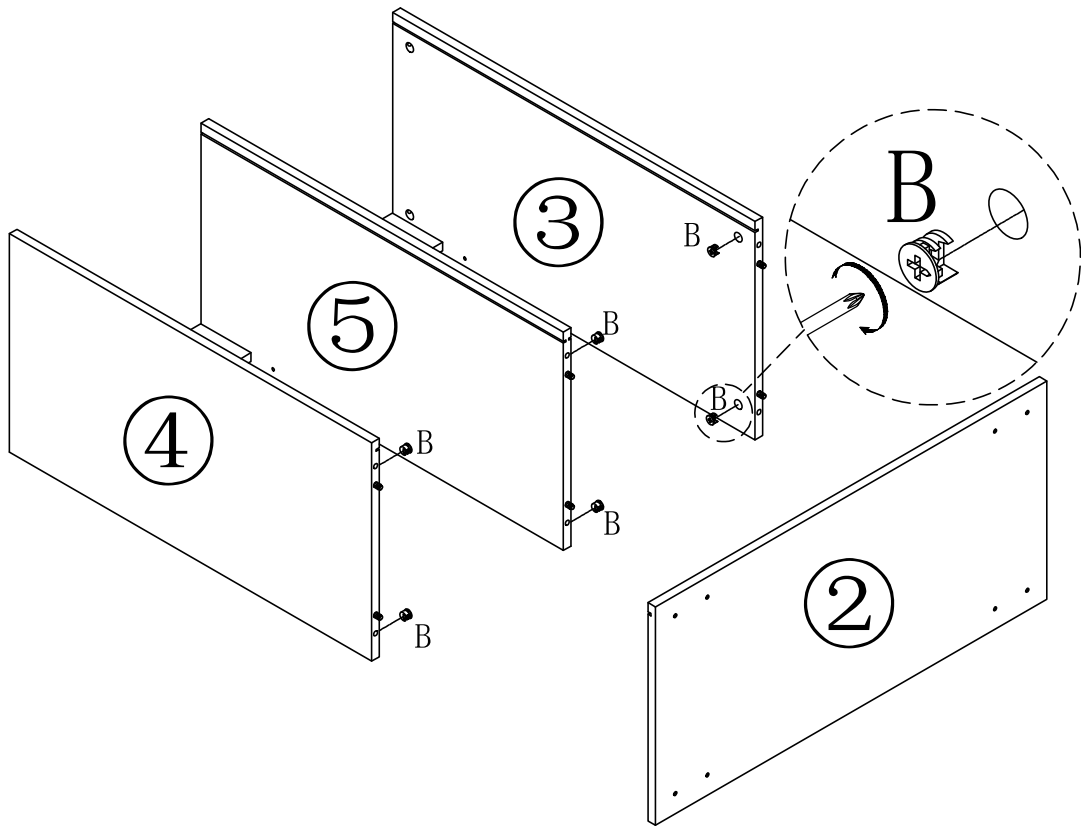
Make sure the arrow on the screw align to the hole on the side.



B*8

put B on board 6 7

⑥



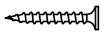
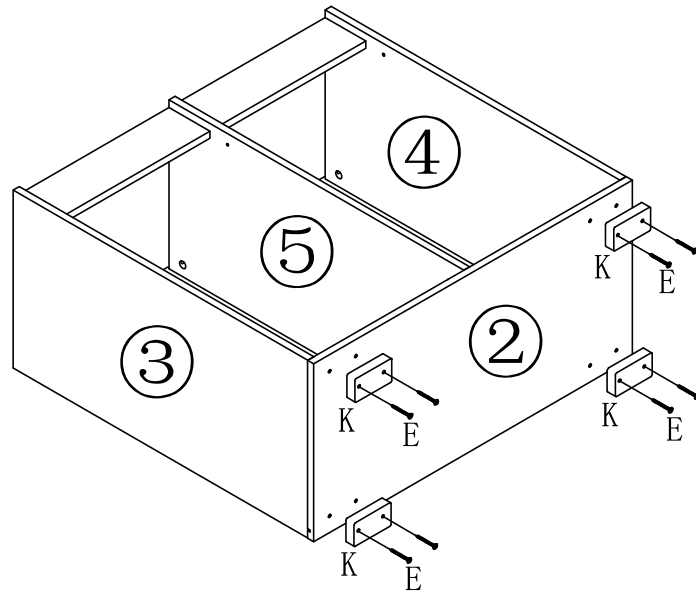
Make sure the arrow on the screw align to the hole on the side.



B*6

put B on board ③ ④ ⑤

7

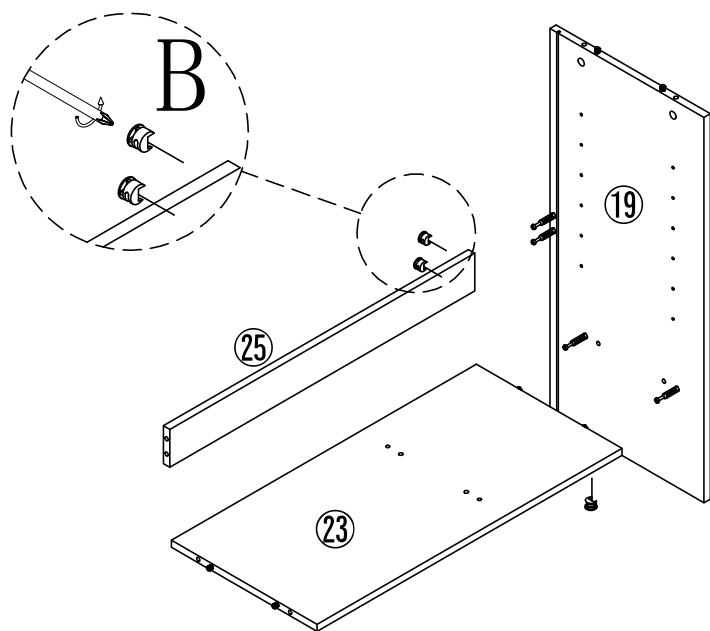


E*8



K*4

8



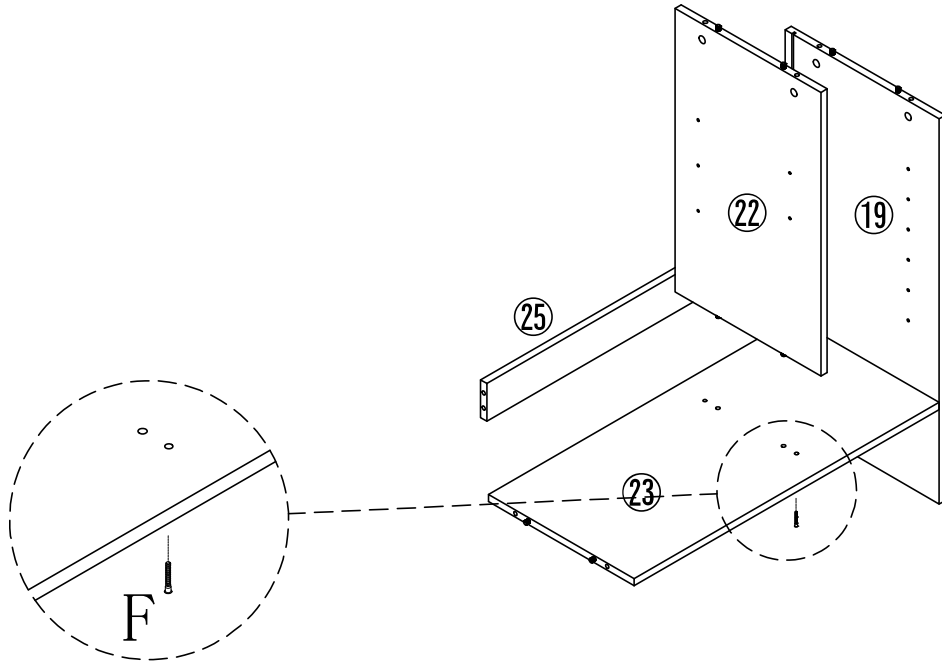
Make sure the arrow on the screw align to the hole on the side.



B*4

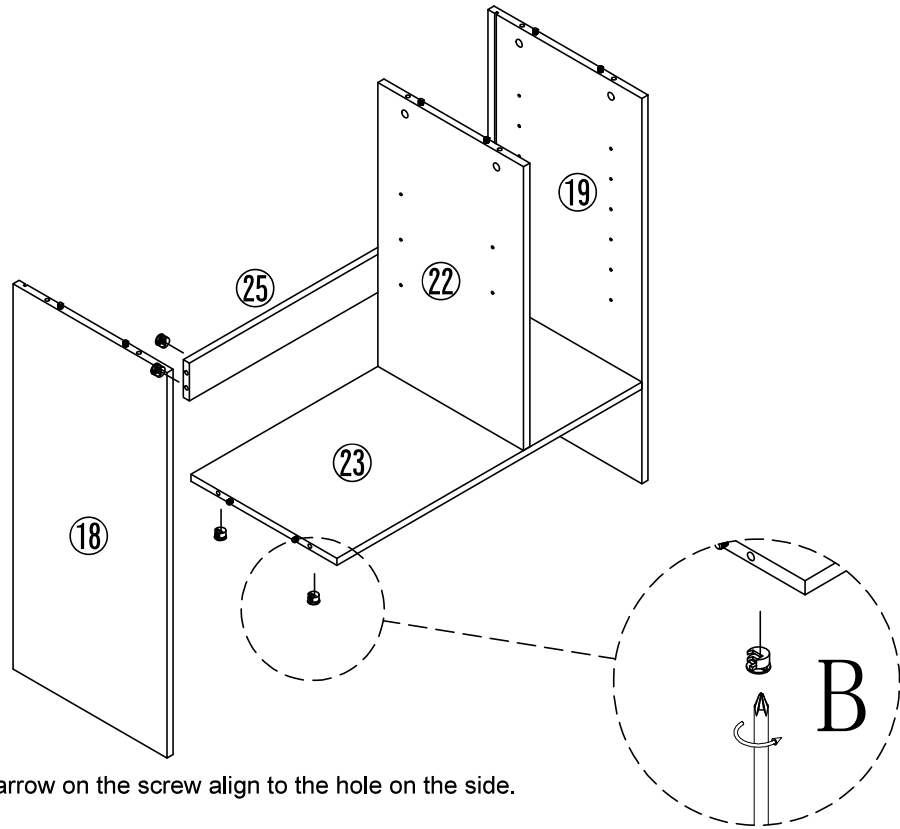
put B on board 23 25

9



F*2

10



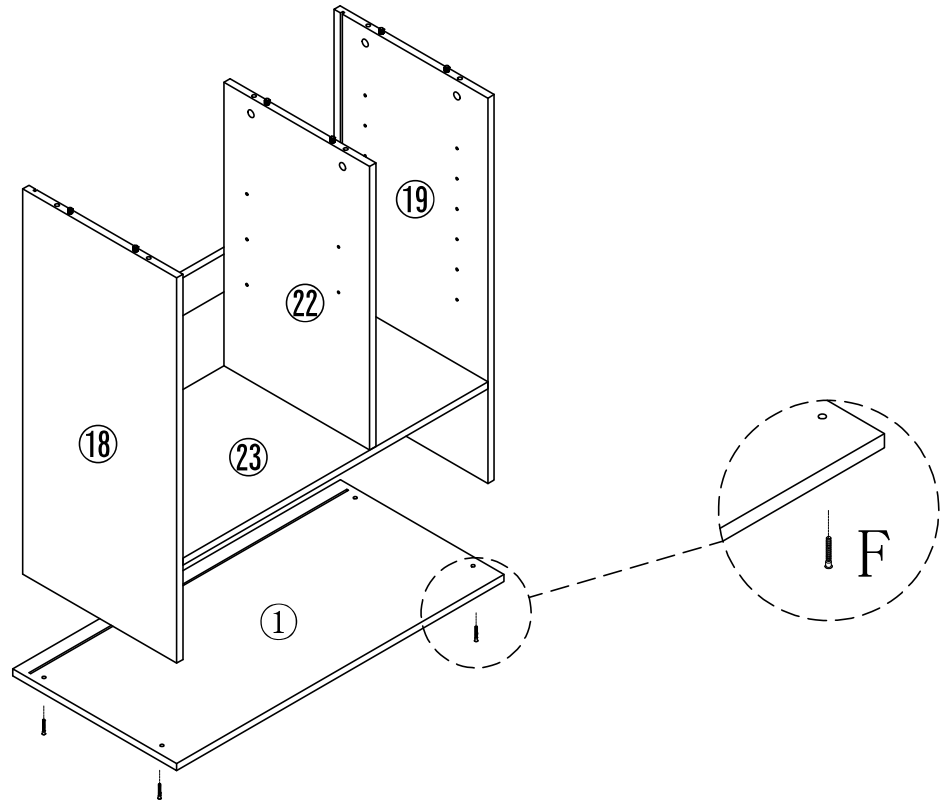
Make sure the arrow on the screw align to the hole on the side.

put B on board 23 25



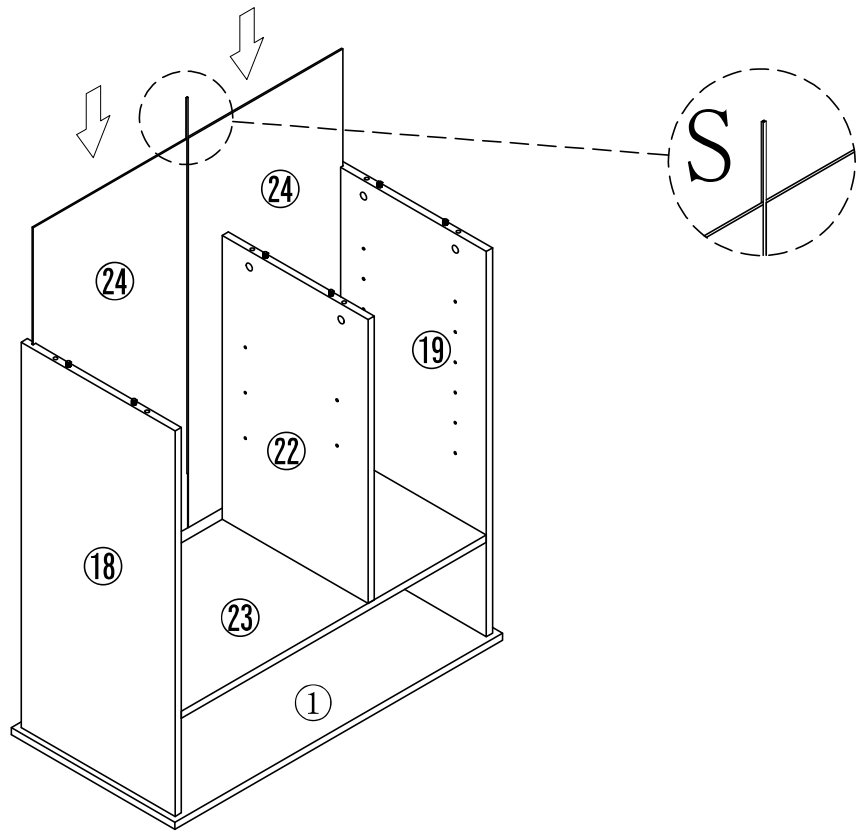
B*4

11



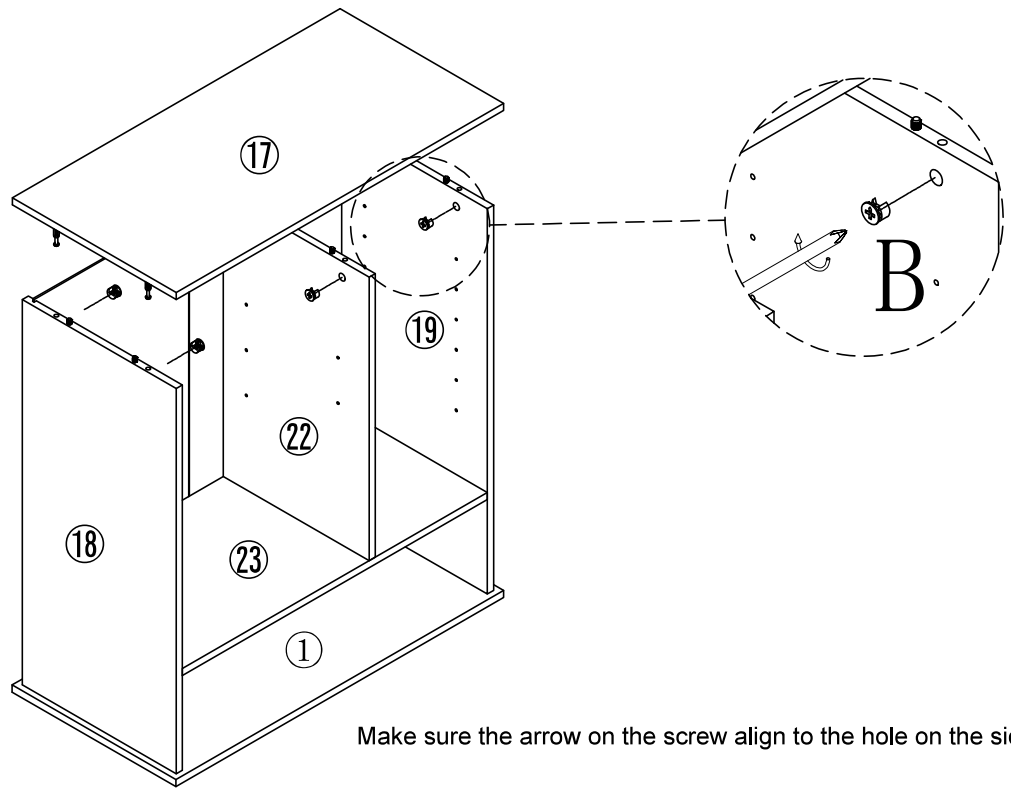
F*4

12



S*1

13



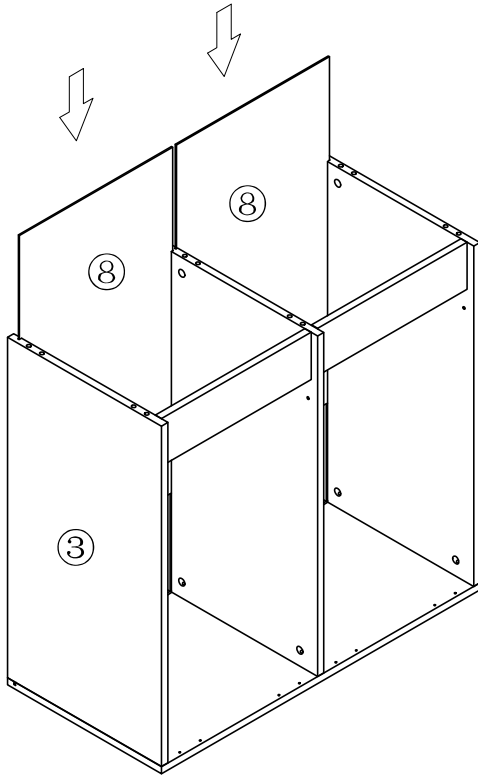
Make sure the arrow on the screw align to the hole on the side.

put B on board 18 19 22

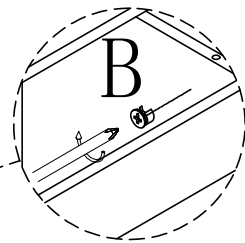
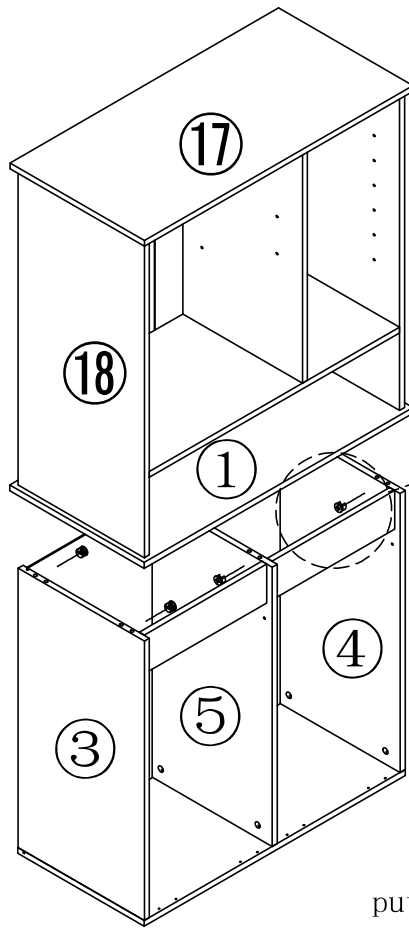


B*6

14



15



Make sure the arrow on the screw align to the hole on the side.

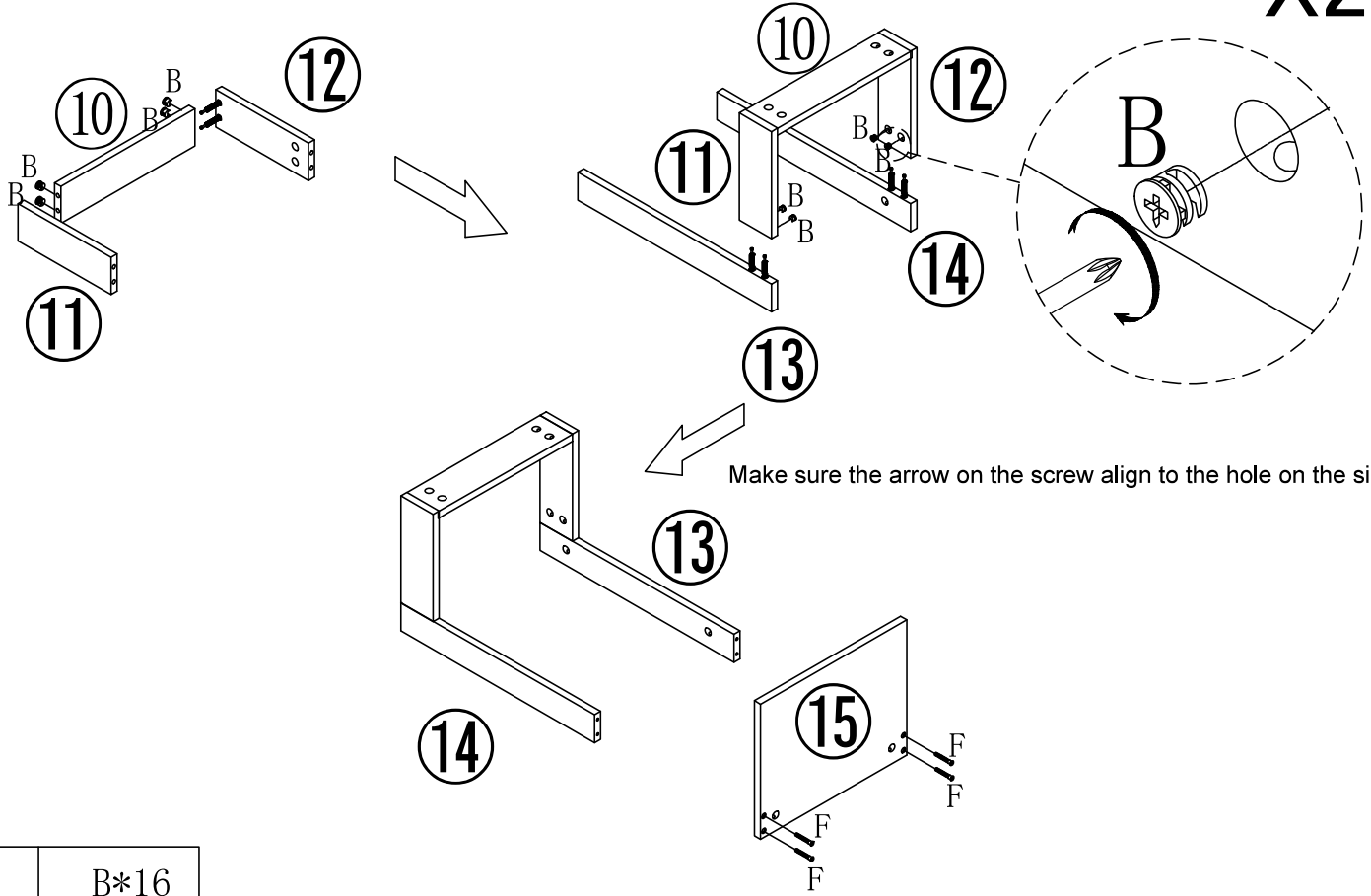
put B on board 3 4 5



B*6



16

X2

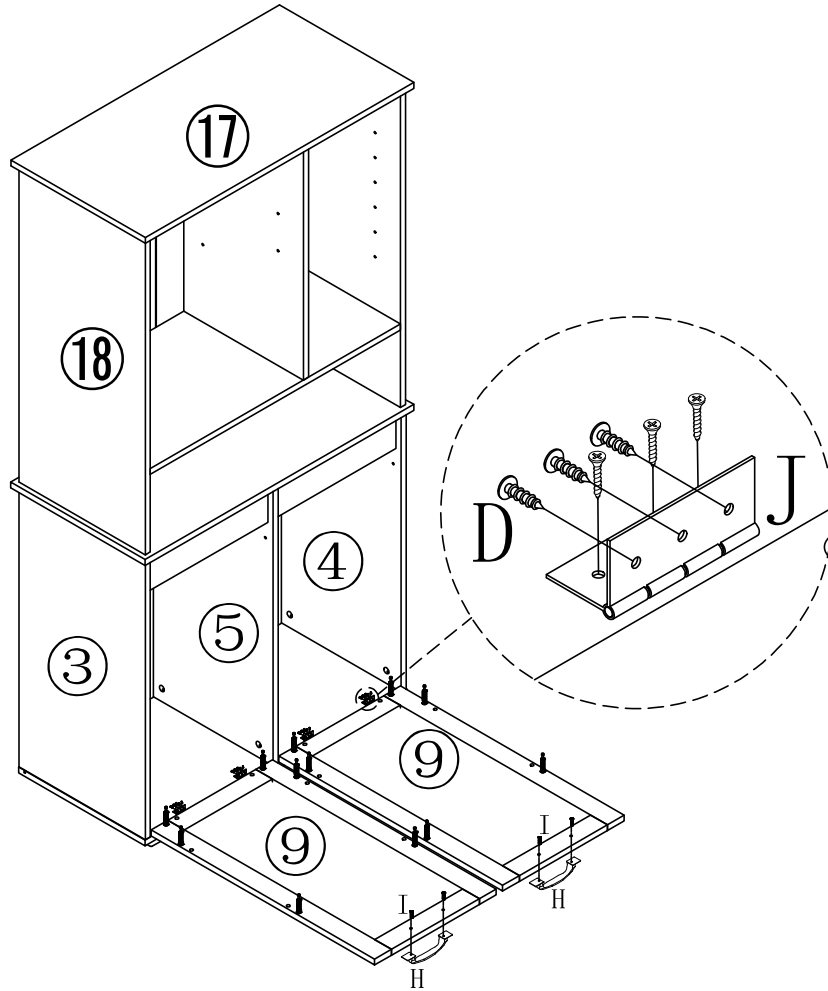






Make sure the arrow on the screw align to the hole on the side.

put B on board 10 11 12

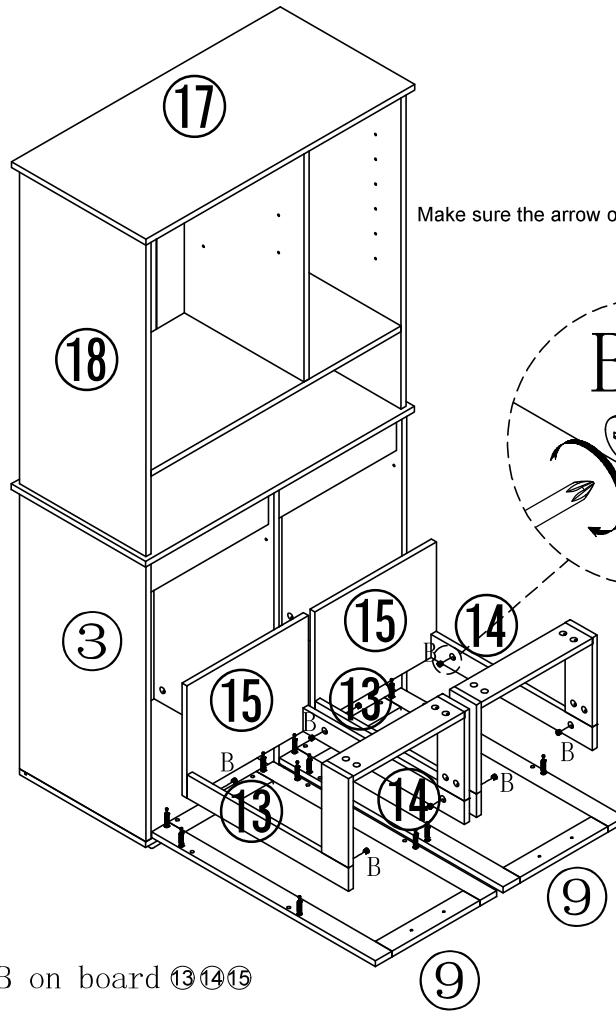
| | |
|--|------|
|  | B*16 |
|  | F*8 |

17



| | |
|--|------|
|  | D*24 |
|  | H*2 |
|  | I*4 |
|  | J*4 |

18



Make sure the arrow on the screw align to the hole on the side.

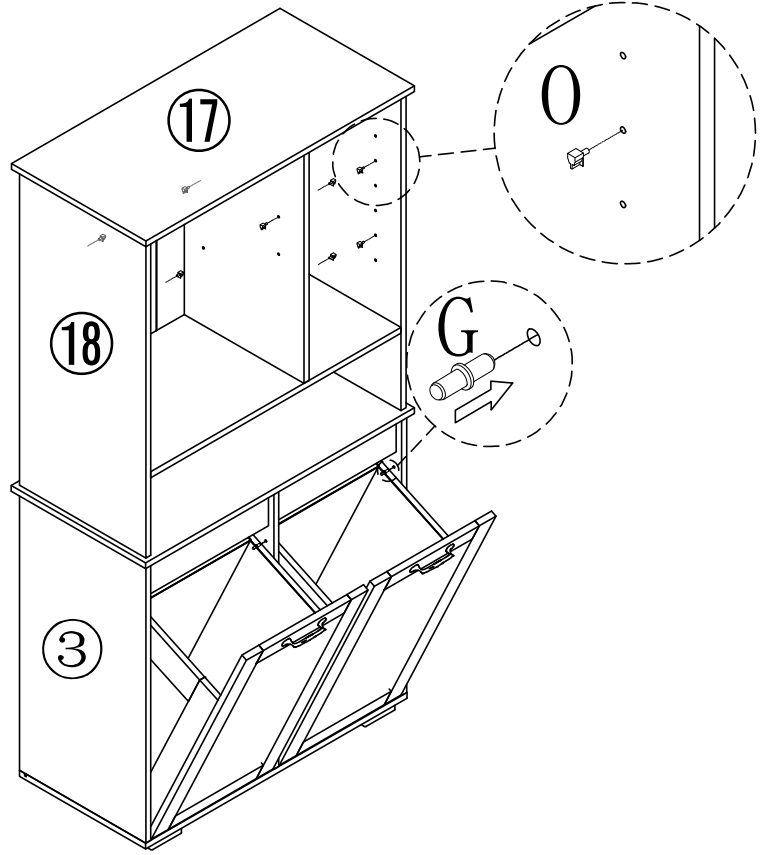
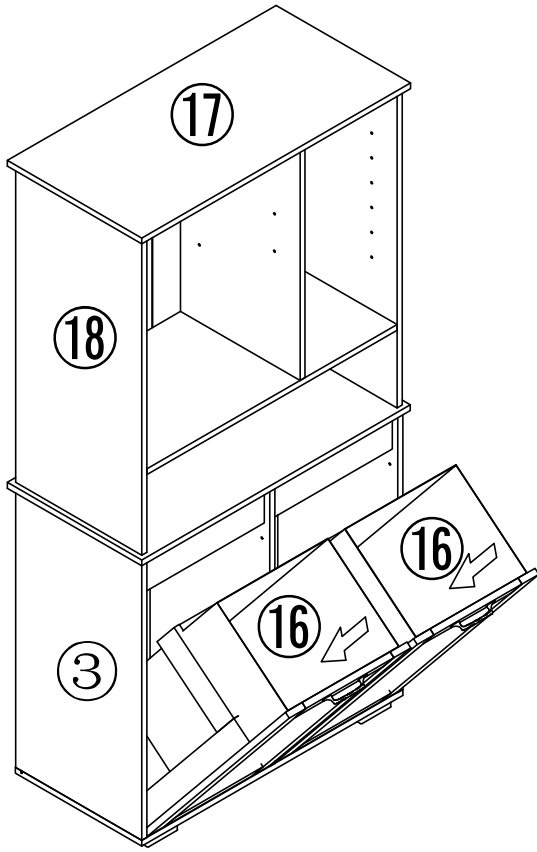




B*12

put B on board 13 14 15

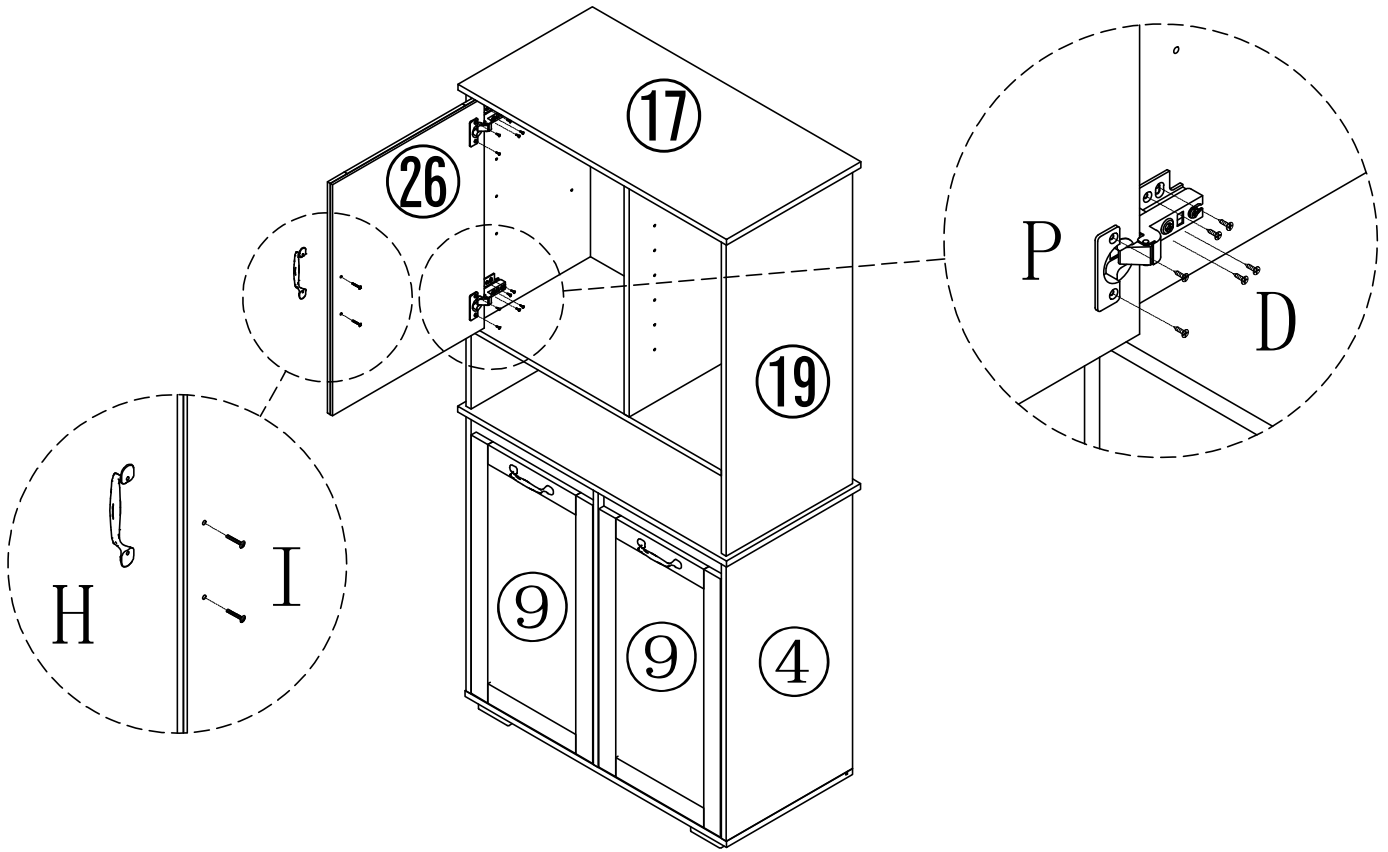
9



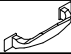

19



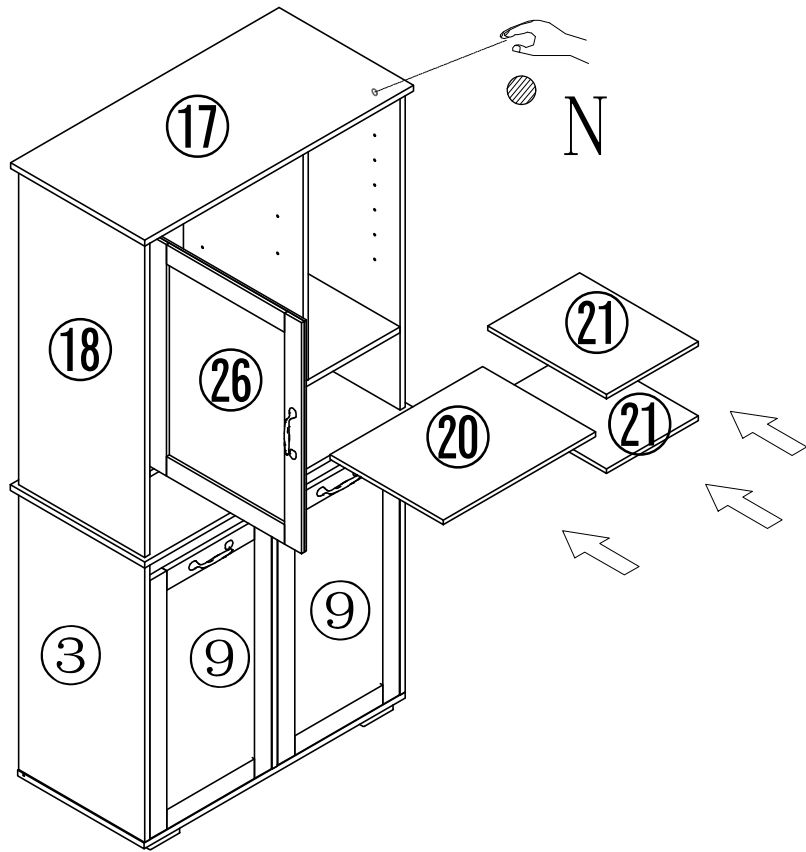
| | |
|--|------|
|  | 0*12 |
|  | G*4 |

20



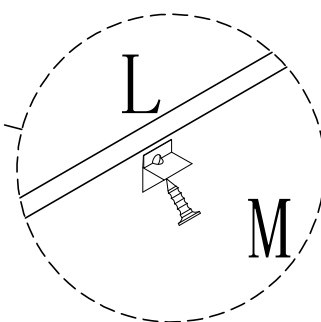
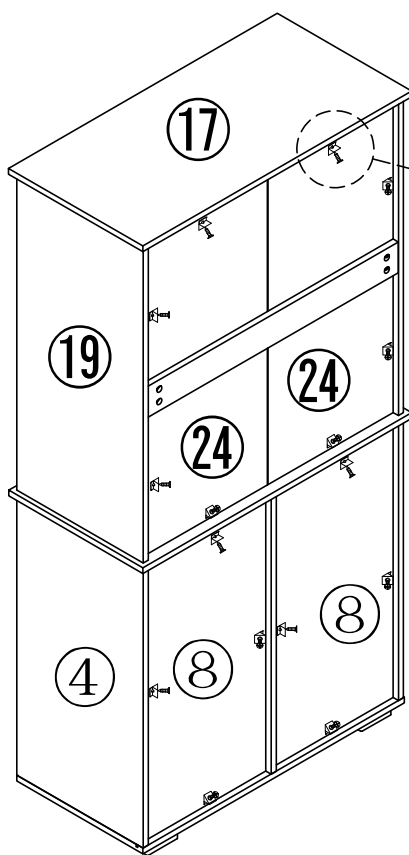
| | | | |
|--|-----|---|------|
|  | I*2 |  | D*12 |
|  | H*1 |  | P*2 |

21



N*12

22

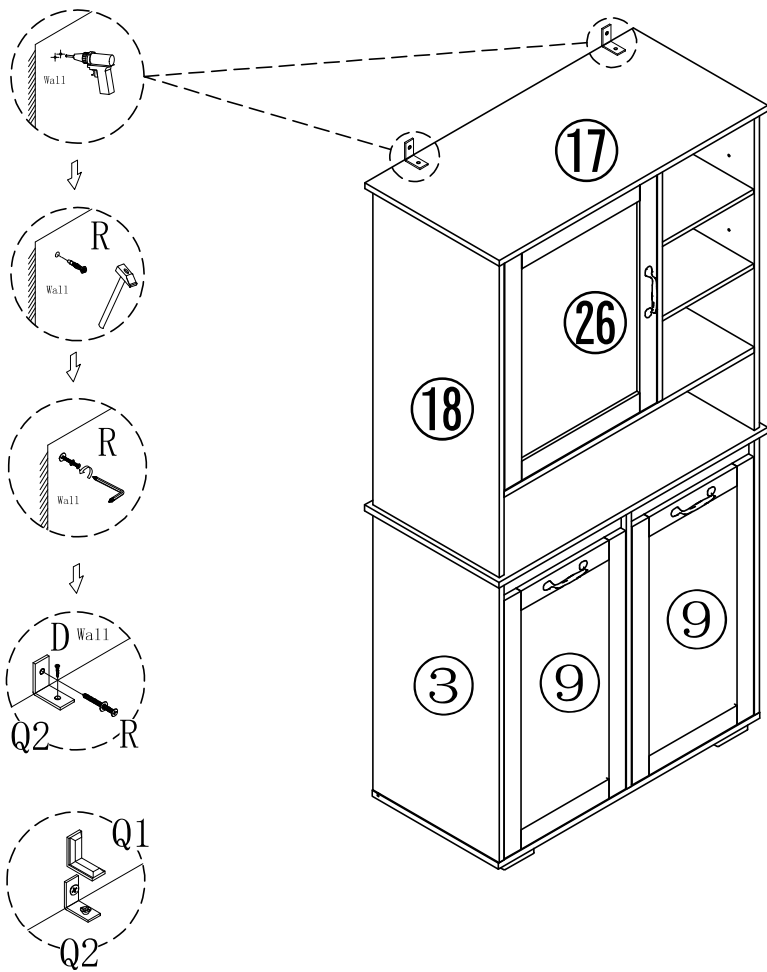


M*16

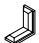





L*16

23



END

| | |
|---|------|
|  | Q1*2 |
|  | Q2*2 |
|  | R*2 |
|  | D*2 |