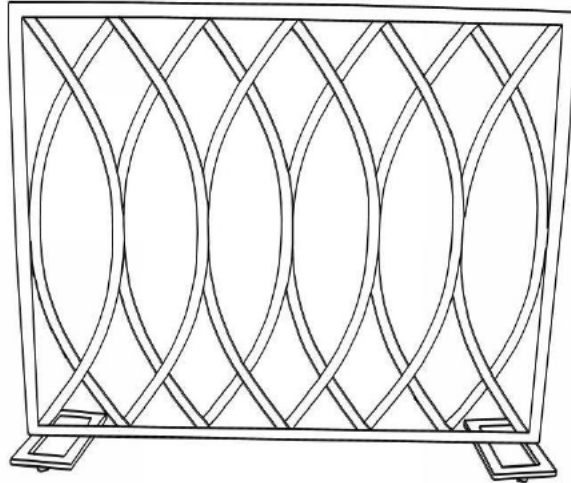


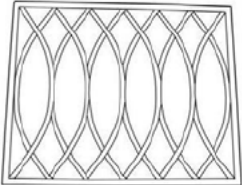
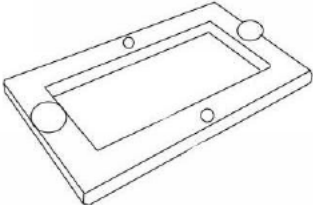
Assembly Instructions

Caution: You must read this before you proceed.



Fire Screen



Part List

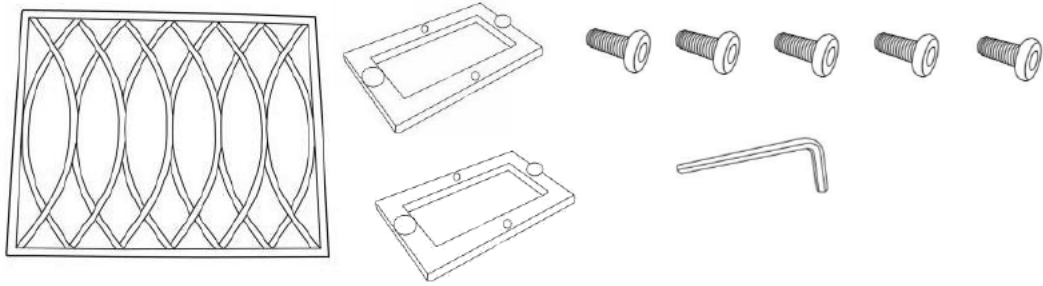
Label	Picture	Description	QTY
A		Screen	1
B		Foot	2

Hardware

Label	Picture	Description	QTY
①		Bolt (M6*25mm)	5
②		Allen wrench (M6)	1

Assembly Preparation

Before Beginning Assembly:



- Read instructions, cover to cover-



- Have 2 adults on hand for assembly-



- Do not assemble on flooring or carpet-



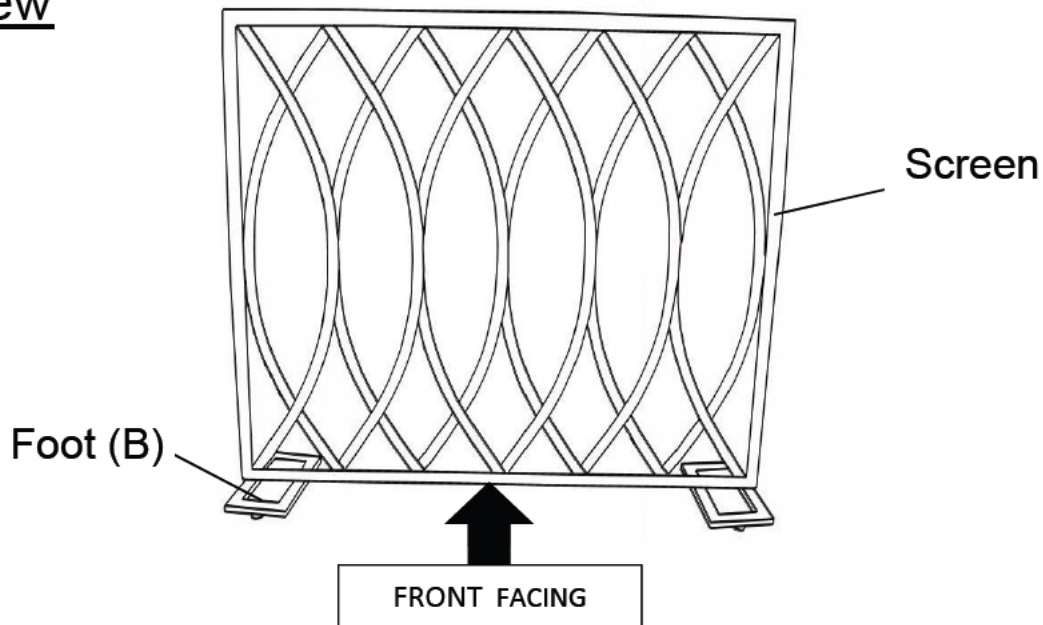
- Assemble on a clean non-marring surface (packing foam)-



- Save all packaging until finished-

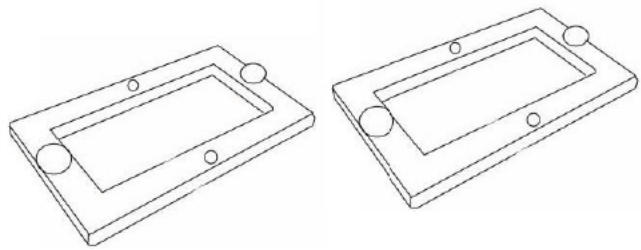
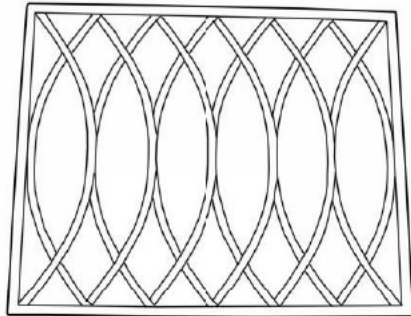
Assembly Steps

Overview



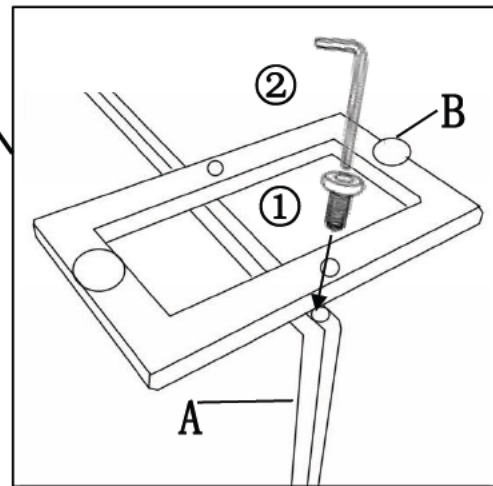
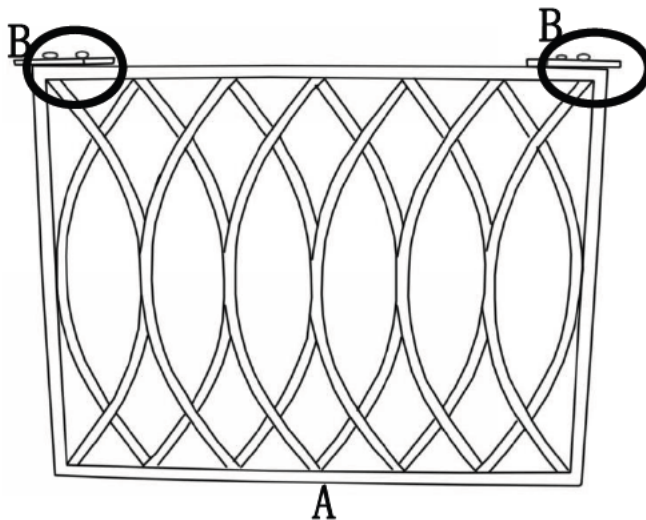
This Fire Screen has multiple parts and may require up to 15 minutes to assemble. To give you an overview of the Fire Screen parts, the above picture is to help you put the various parts into perspective. Please read through the instructions below to familiarise yourself with the parts and steps before assembly.

Step 1



Unpack and place all parts on a clean, non-marring surface.
Place the Screen(A) upside down as shown.

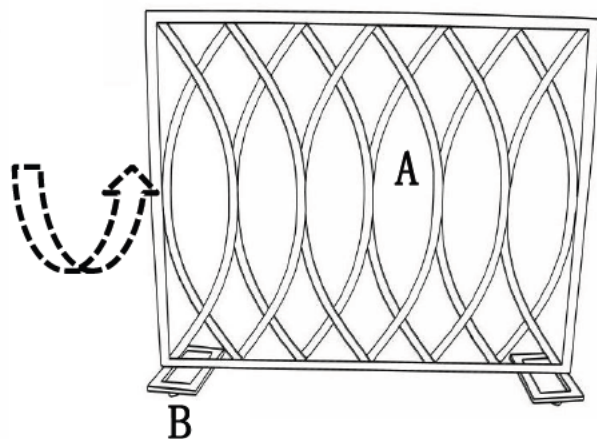
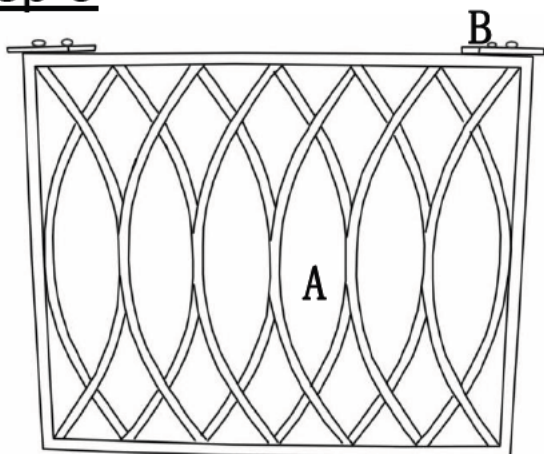
Step 2



With assistance from an adult partner, attach Feet(B) to Screen(A) using Bolts (①) with Allen Wrench(②).

Tighten all Bolts fully in a sequential manner.

Step 3



Stand the Fire Screen up.
Your Fire Screen is ready for use.

This Fire Screen can only be used on a flat, level surface.

Care & Maintenance



- Furniture may scratch floors. We recommend using furniture pads to protect your floors.



- Do not put hot items directly on furniture surface.



- Do not clean furniture with harsh cleansers or polish.



- Do not place furniture under direct sunlight.



- Do not place furniture near heating or cooling vents.



- Do not write on furniture without a padded barrier to protect the surface.



- Do not place furniture outside . For indoor use only.



- Not for commercial use. For residential use only.



- Stains may be removed with mild soap solution and damp cloth.



- Children should not climb or jump on the furniture.



- Dust and pick-up spills using a clean, non-colored, lint-free cloth.