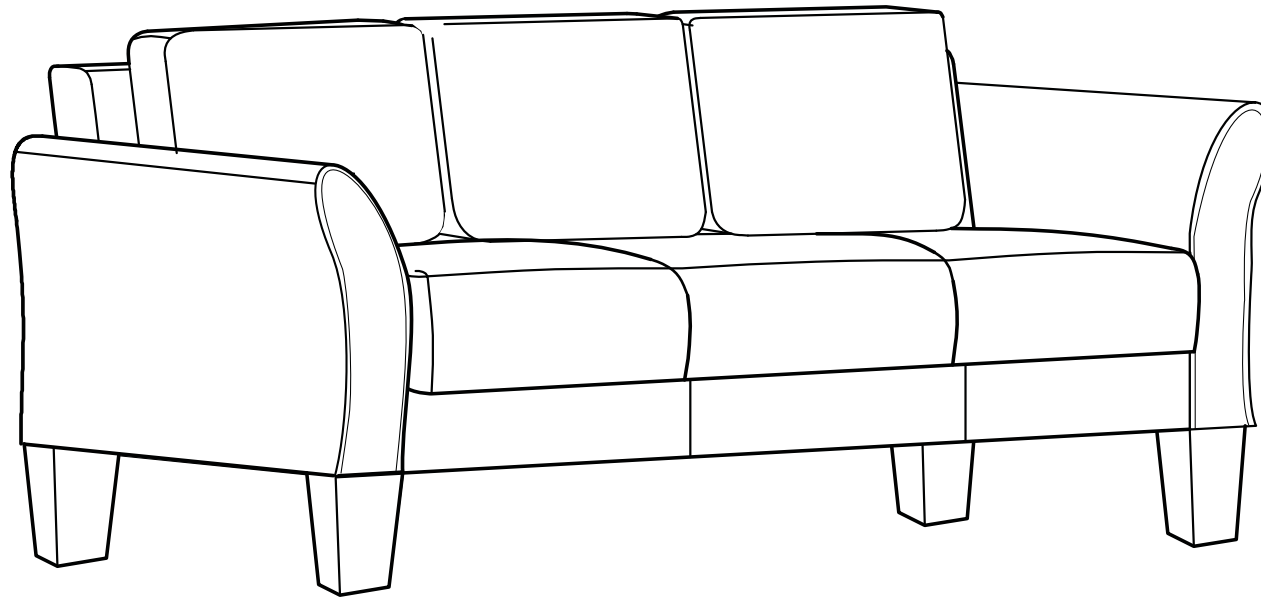


# CURVED ARM SOFA

## ASSEMBLY INSTRUCTIONS

---



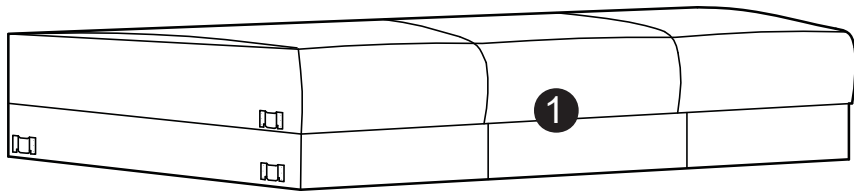
### WARNING

- This product has been designed for seating three (3) average adults. To prevent injury and damage to this unit, PROHIBIT jumping on it.
  - This product is designed for home use and not intended for commercial use.
  - Children under the age of 5, small infants and babies should not sleep alone on this product for safety reasons.
  - Recommended # of people needed for handling: 2 (however it is always better to have an extra hand.)
  - THIS INSTRUCTION BOOKLET CONTAINS **IMPORTANT** SAFETY INFORMATION. PLEASE READ AND KEEP FOR FUTURE REFERENCE.
-

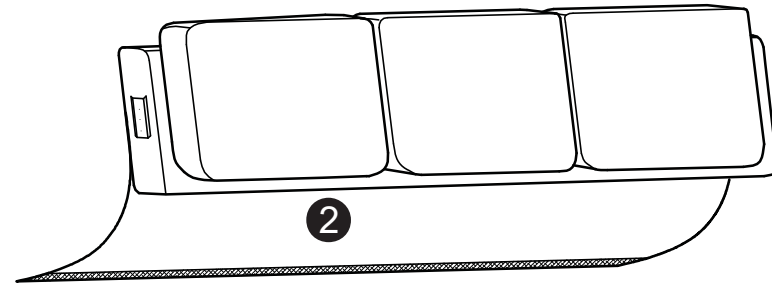
---

PARTS

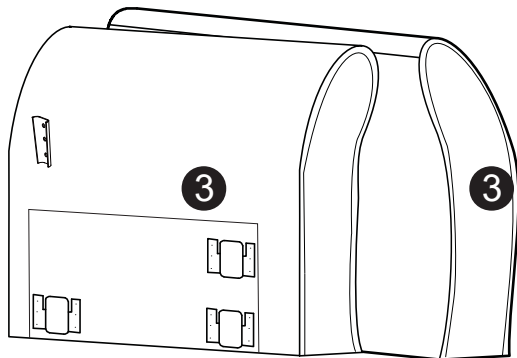
---



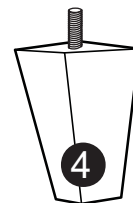
Sofa Body  
QTY:1



Backrest  
QTY:1  
( In the storage underneath of sofa body)



Arms  
1 Pair  
( In the storage underneath of sofa body)



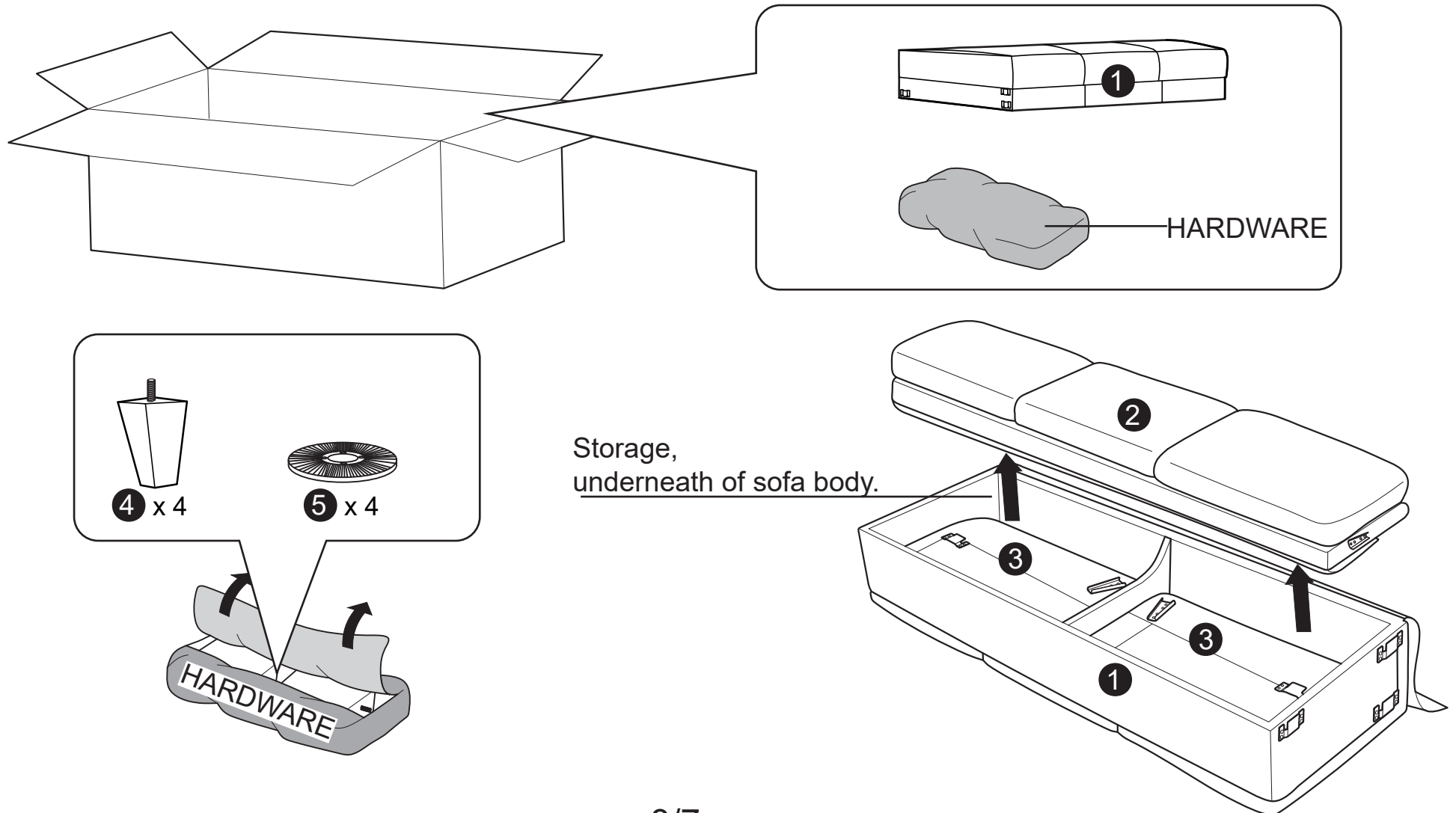
Leg  
QTY:4



Washer  
M10  
QTY:4

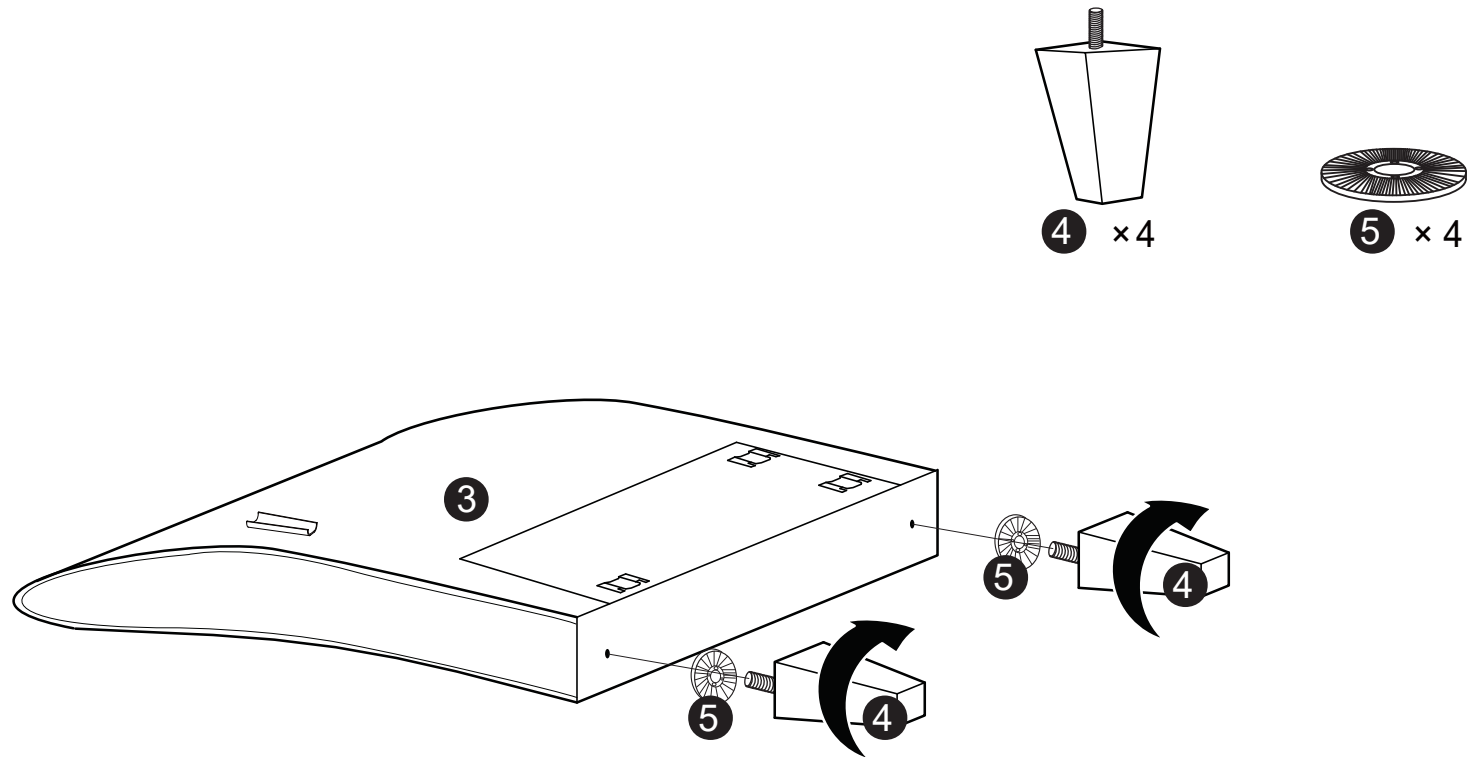
---

**Step 1** : Carefully unpack parts/hardware from box and storage of seat body, place on a clean flat surface.



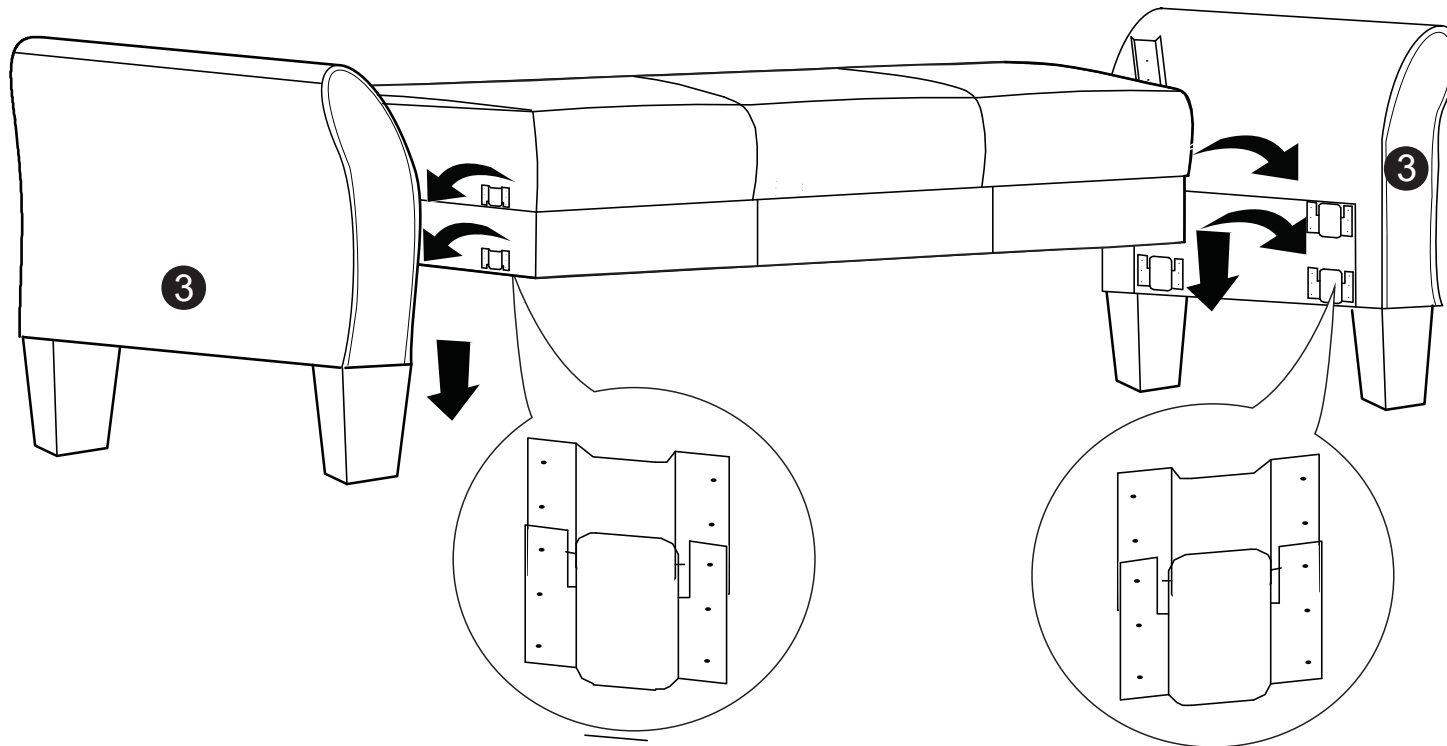
---

**Step 2** : Place both arms as shown below, secure two legs and plastic washers into pre-drilled holes on the bottom of arms. Please avoid overtightening.



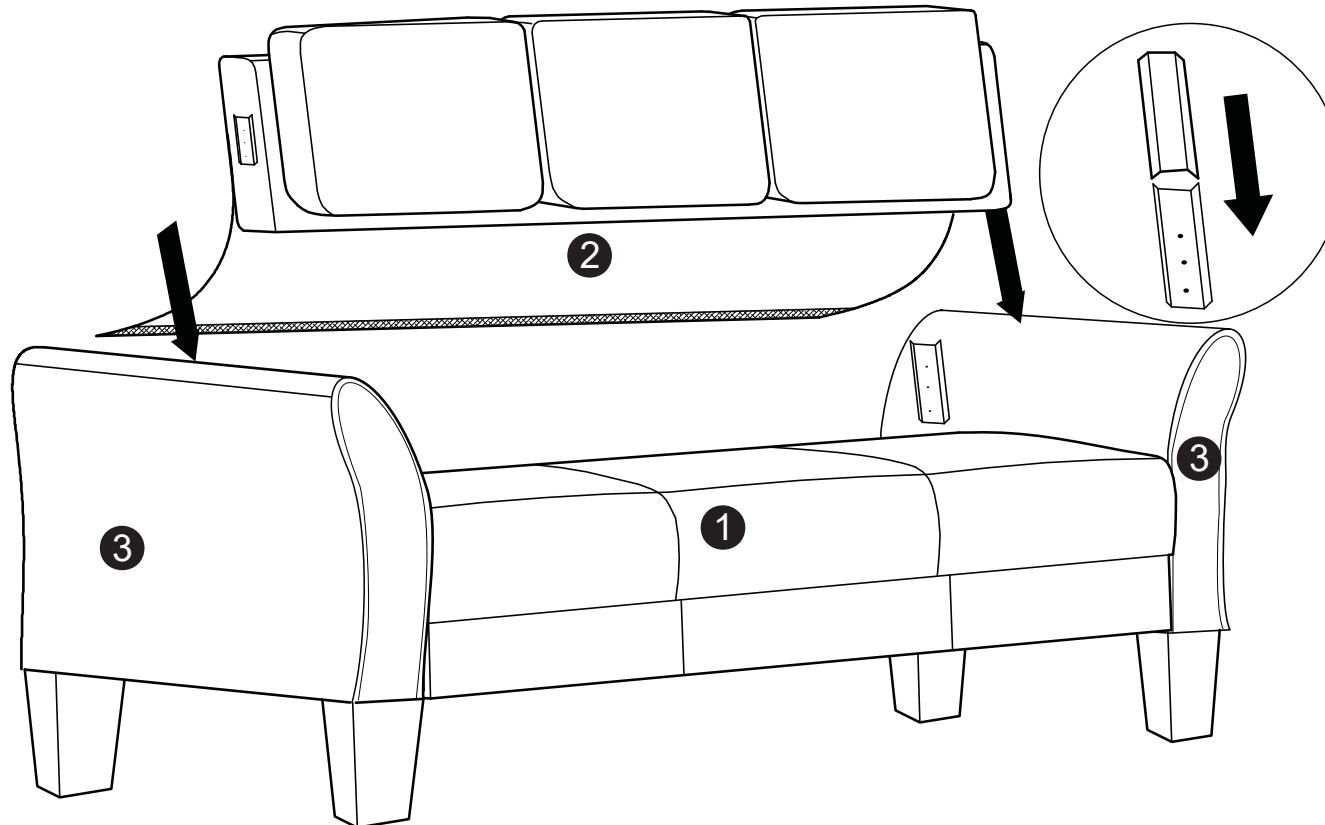
---

**Step 3 :** Carefully lift and turn assembled arms onto its legs. Insert seat body metal plates to both arms as shown below. Ensure it is correctly in place.



---

**Step 4** : Insert backrest metal plates to both arms as shown below. Ensuring it is correctly in place.



---

**Step 5** : Finally, stretch and pull down rear cover evenly before securing velcro strip to seat base. Repeat if necessary for better fit.

