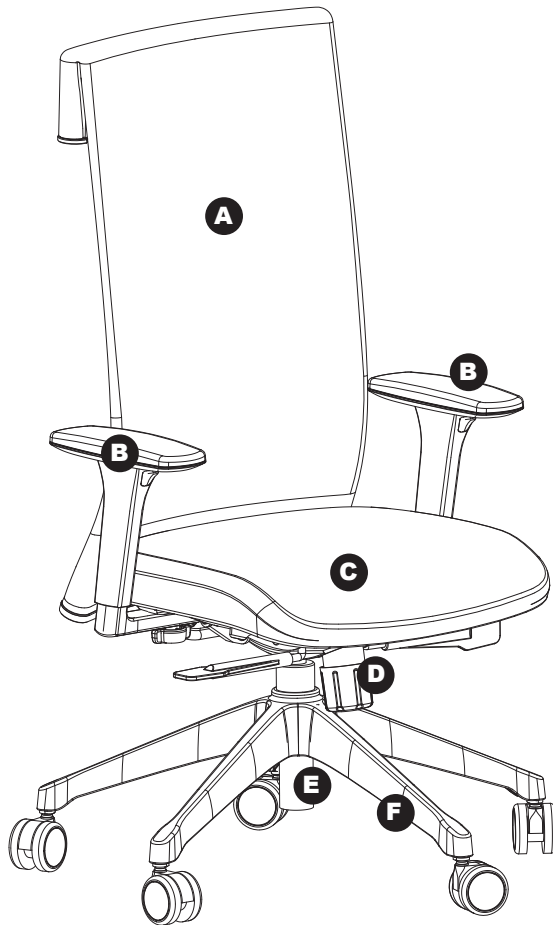


Assembly Instructions

Model: Leef 45101

Product Parts

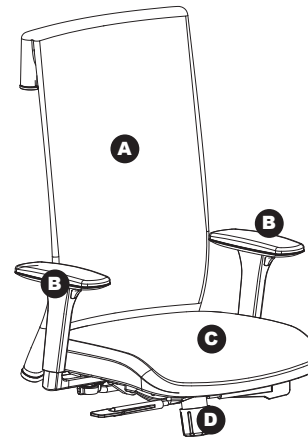
- A** Backrest (1x)
- B** Arms (2x)
- C** Seat (1x)
- D** Mechanism (1x)
- E** Column (1x)
- F** Base (1x)



Make sure that all components are properly tightened and fitted

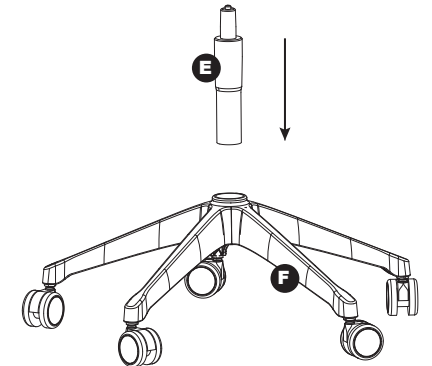
1 SET

You will receive a backrest, arms, seat and mounted mechanism set.



2 BASE

Fit the column (E) to the base (F).



3



4

