

## AFTERSALE SERVICE

Dear customer,

Thank you so much for purchasing the product from us, we really appreciate your support.

We are aimed to provide the best shopping experience to our customers. We also want to build a mutually beneficial relationship with our customers, and step further to make our brand both reliable, responsible and recommendable.

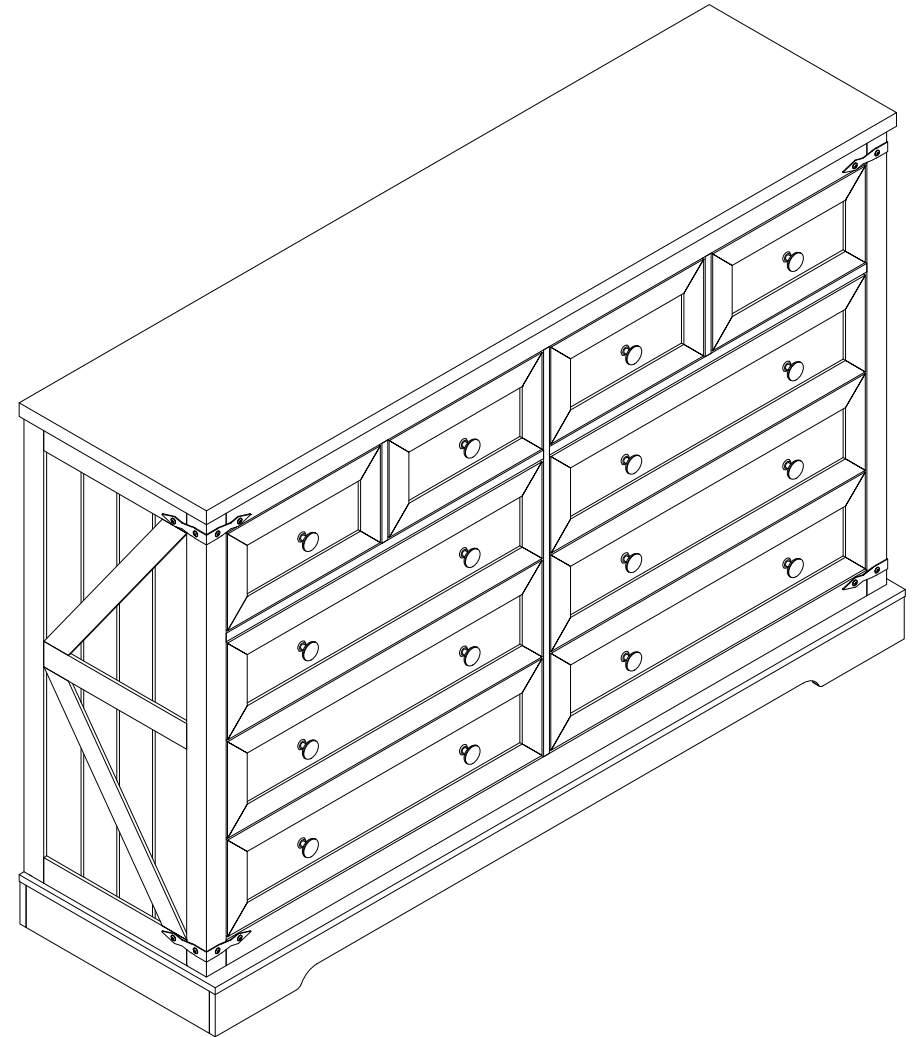
We hope that our products could meet your needs and expectations, please consider us again if you need more products for your home and kitchen.

The package would be out of our control during shipping, please contact us through your purchasing channel directly if there is anything wrong with the box or contents. We are always here offering you our service.

We will reply your messages within 24 hours, please kindly wait for the response from our professional service team.

Your comfort and contentment are of utmost importance.

## ASSEMBLY INSTRUCTION





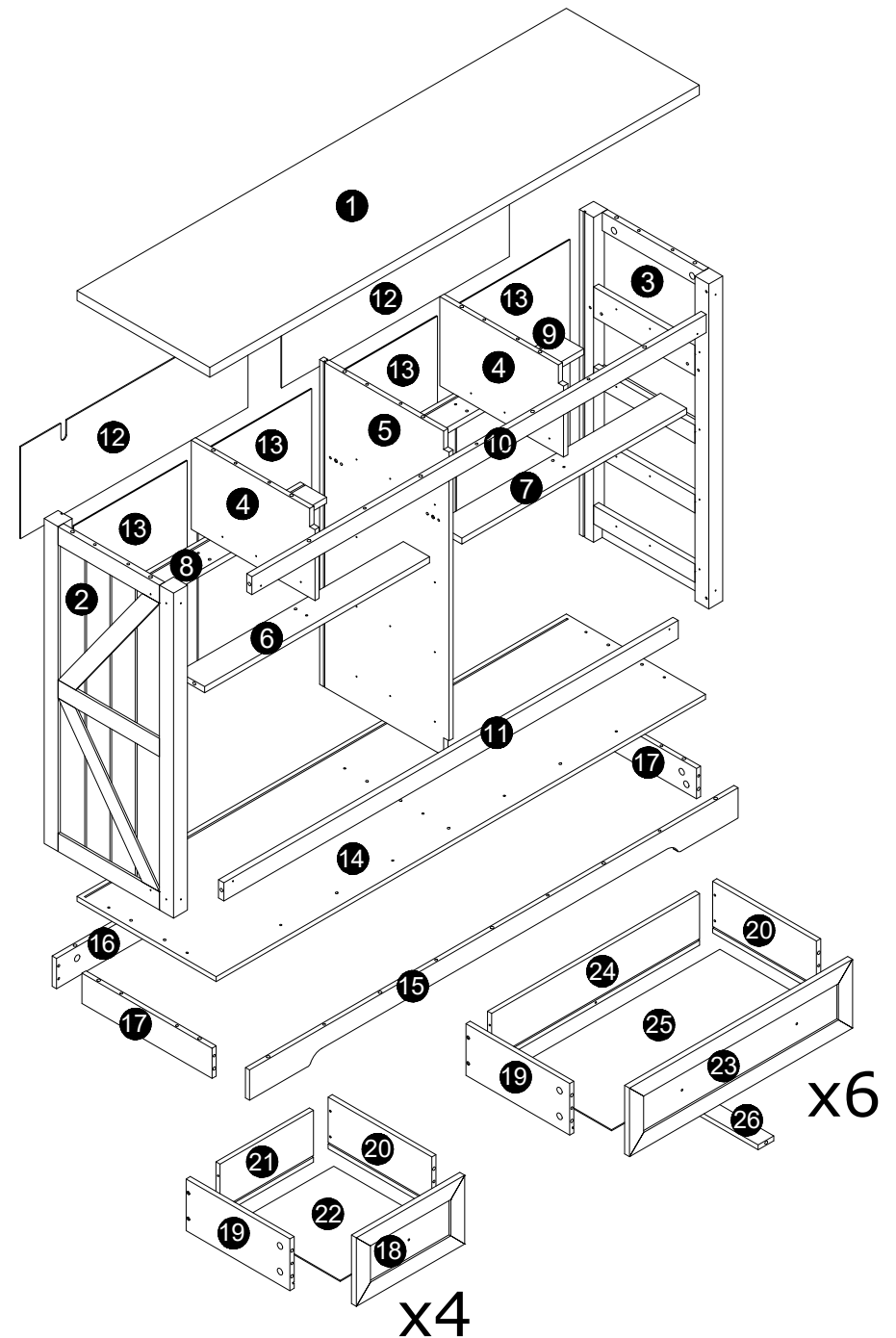
## WARNING

Serious or fatal crushing injuries can occur from furniture tip-over.

ALWAYS secure this furniture to the wall using tip-over restraints.

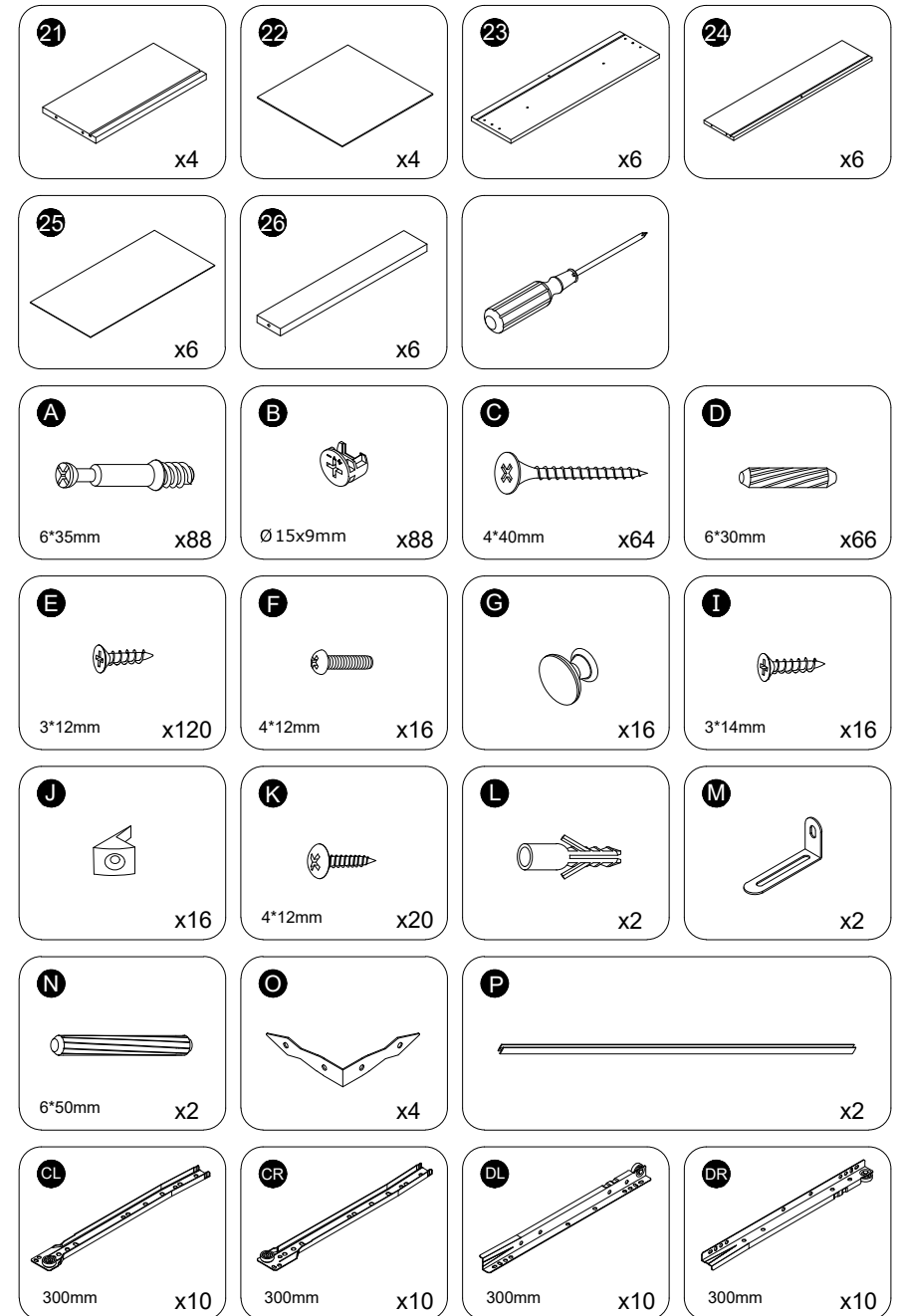
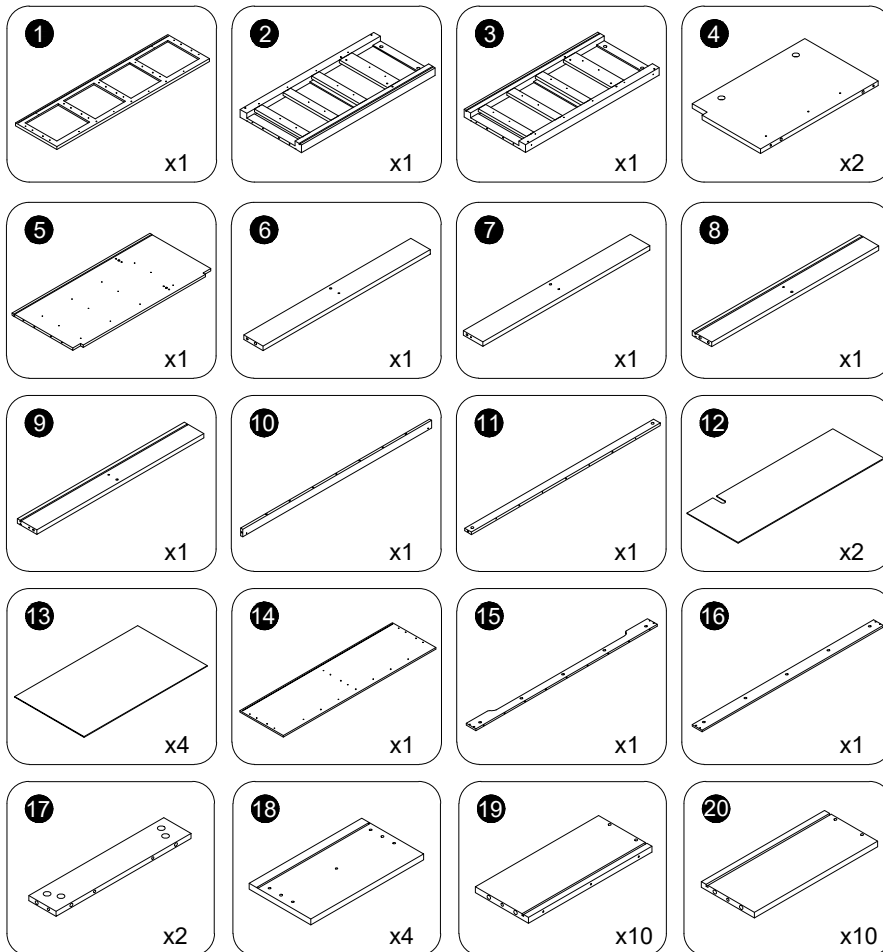
To further reduce the risk of serious injury and death from tip-overs:

- Install Anti-tip device.
- Place heavier items in the lower drawer.
- Never let children climb or hang on drawers or shelves.
- Do NOT set heavy objects on top of this product.



Please check all parts and accessories according to the parts list before assembling, make sure all contents are sufficient and in good condition. If there is any parts missing or defective, please contact us immediately with purchase platform message to get replacement parts.

## PARTS:

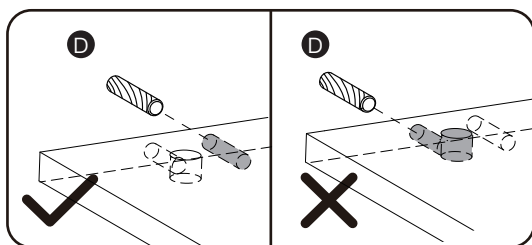


# HOW TO INSTALL

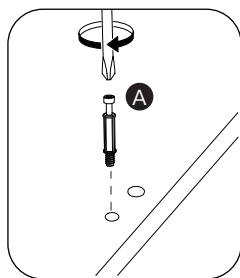
## NOTICE:

1. Use electric drill for easier installation experience.
2. Please drive the screws in pre-drilled holes.
3. Please strictly follow the instruction and diagram in every step.
4. Make sure every part is on the right position, otherwise it may cause unnecessary problem.
5. Select the proper component via the label on every part while assembling.

## REMARK:

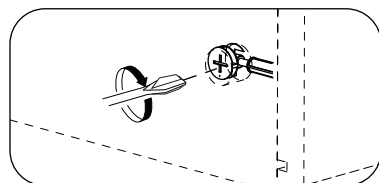
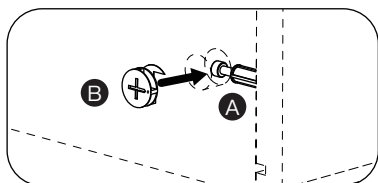


Avoid inserting part D into wrong holes.

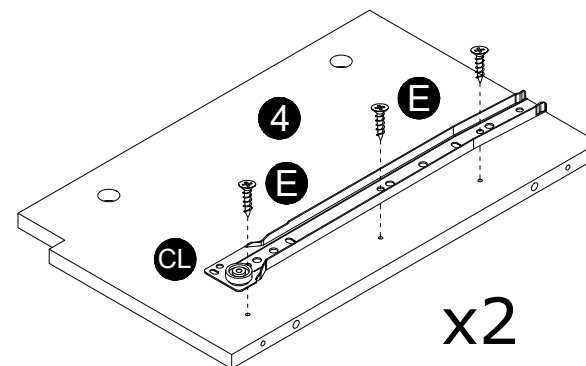
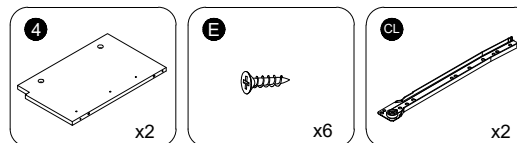


Part A must be installed into the holes with rubber nuts which are smaller than others.

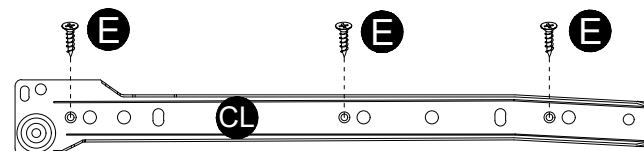
When locking part B, please make sure part A is fully inserted.



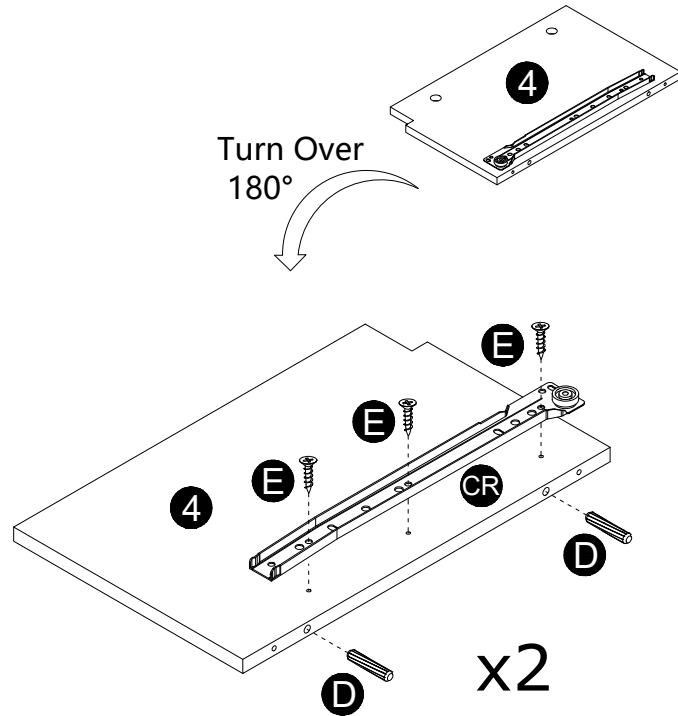
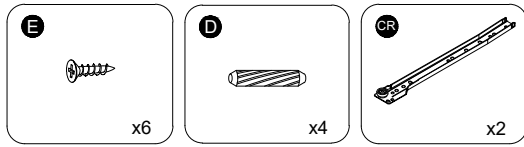
## Step 1



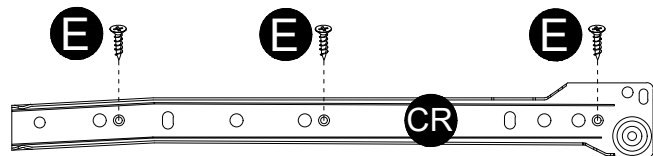
## REMARK:



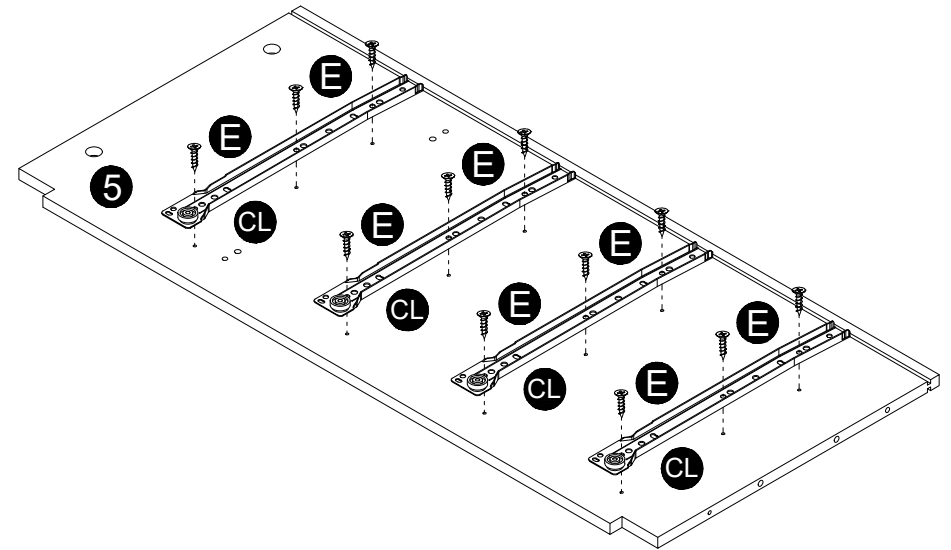
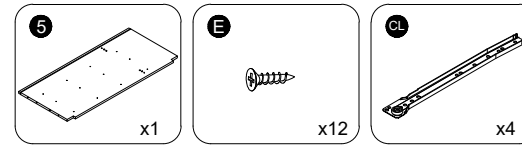
## Step 2



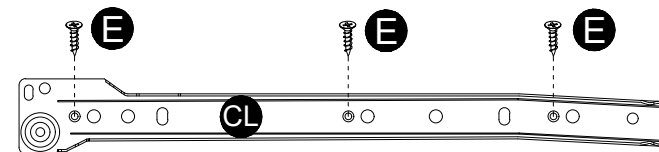
REMARK:



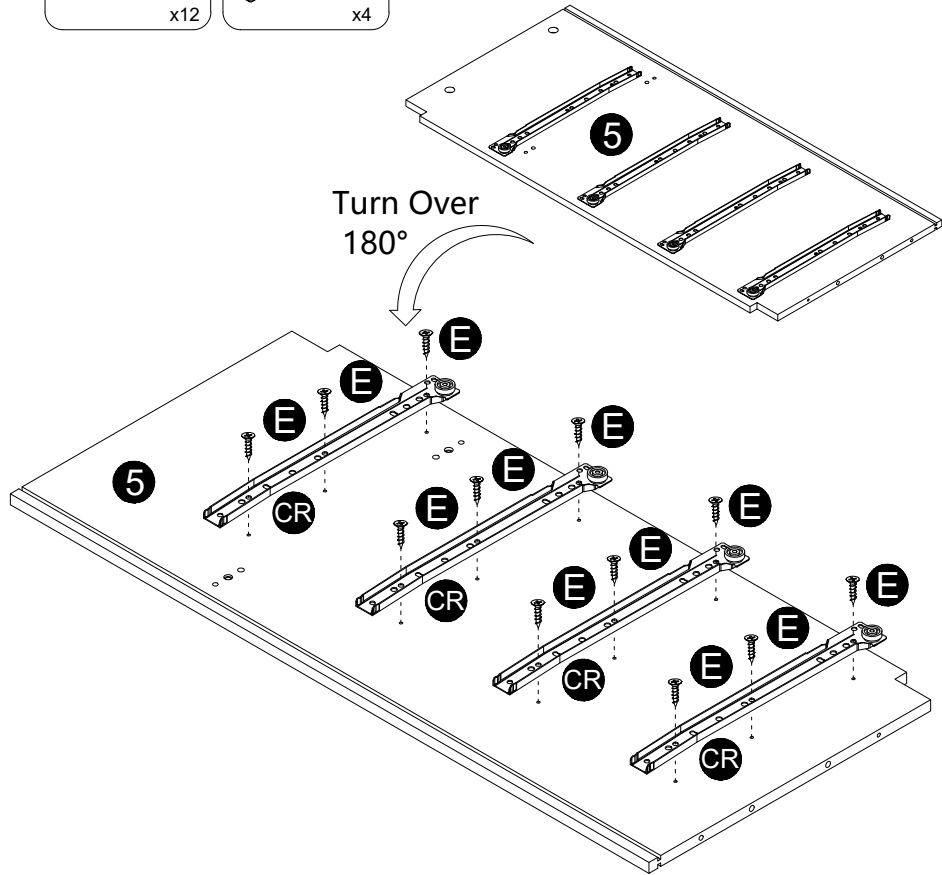
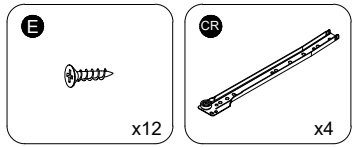
## Step 3



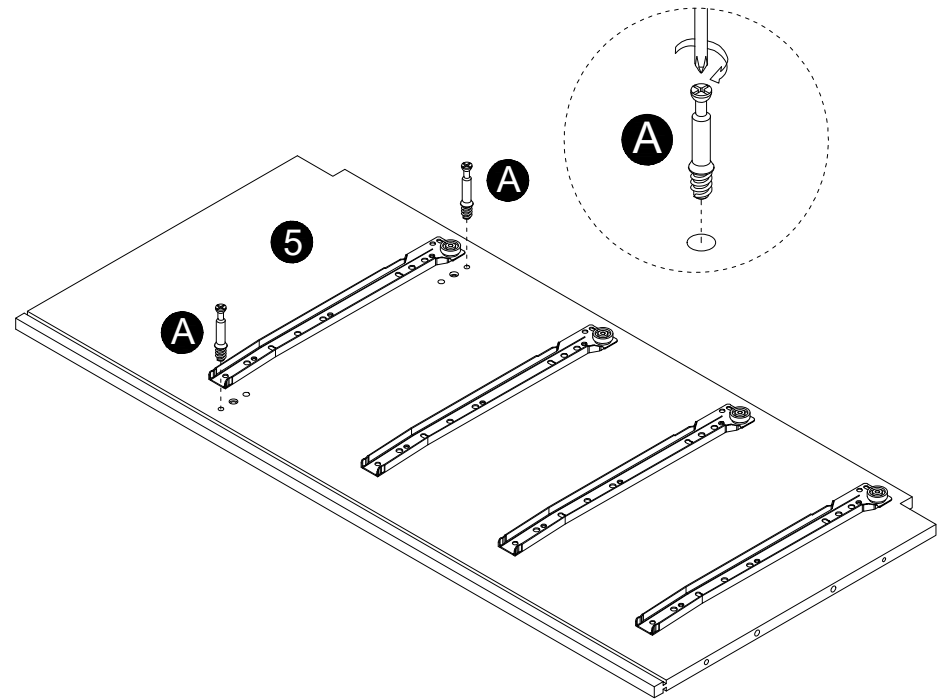
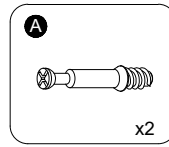
REMARK:



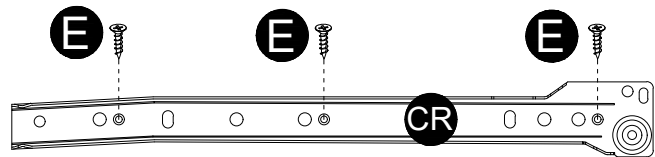
### Step 4



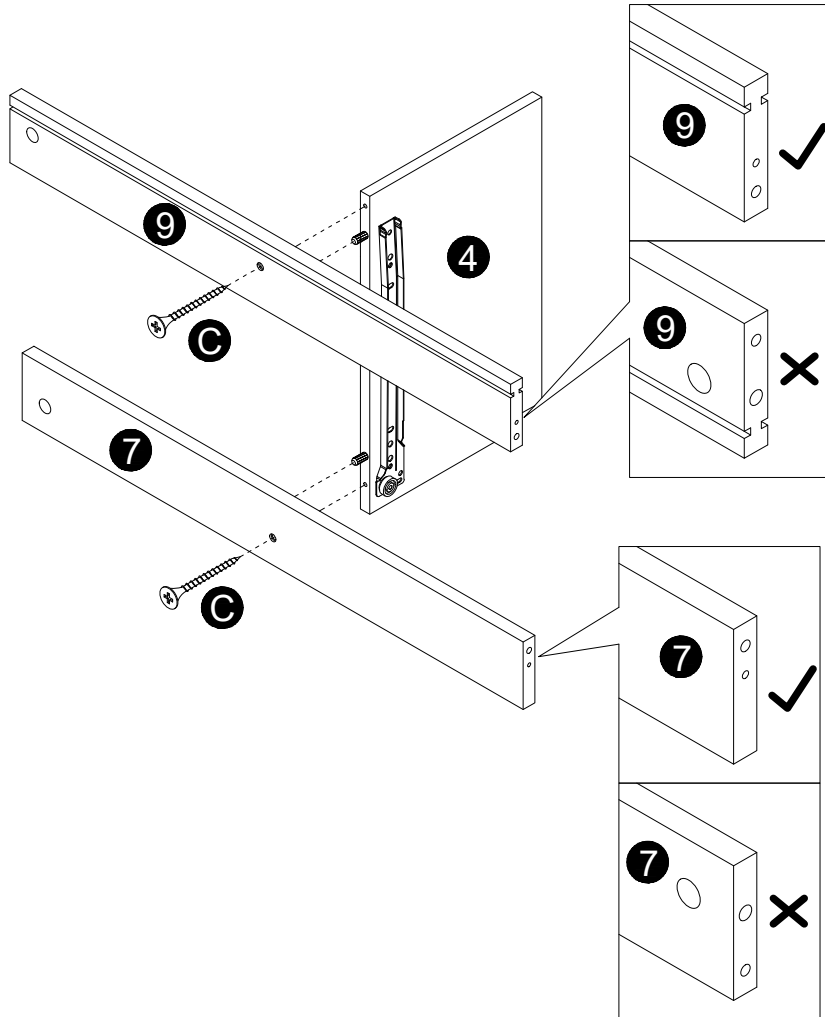
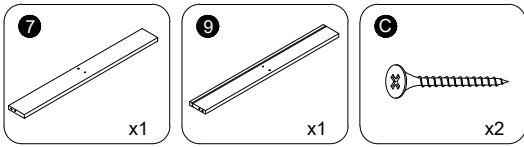
### Step 5



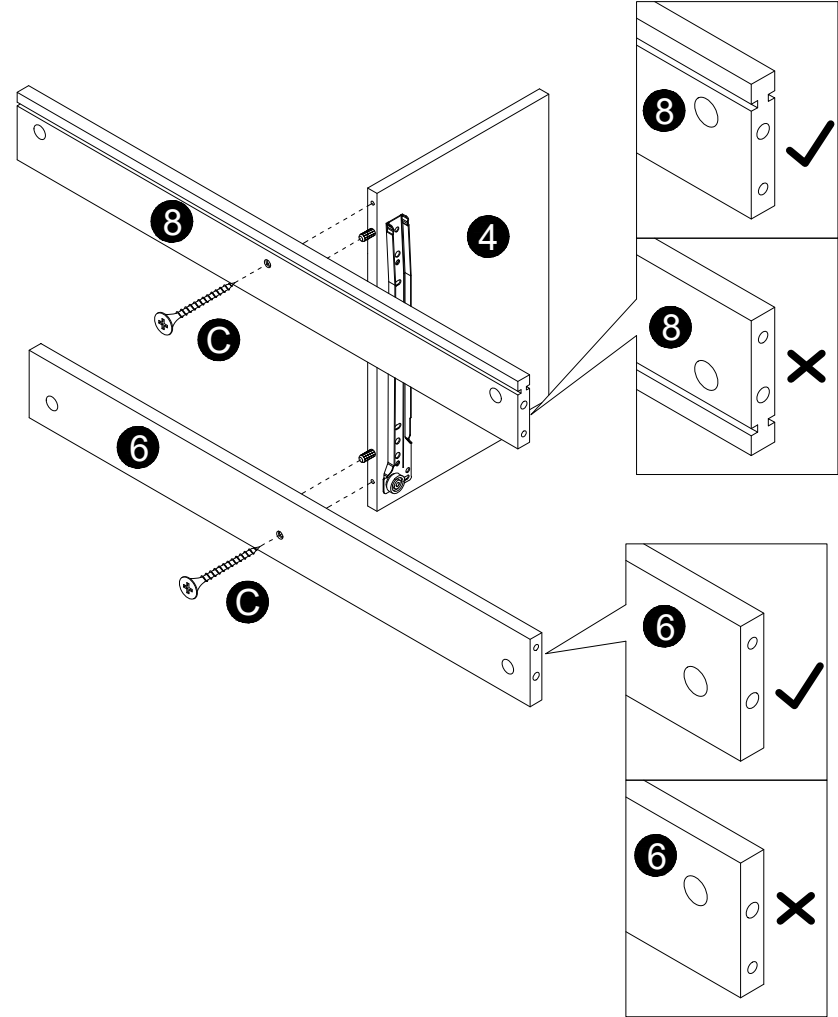
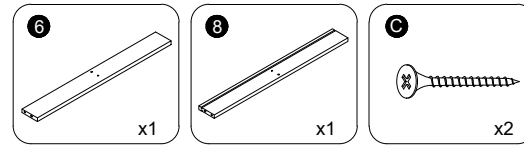
REMARK:



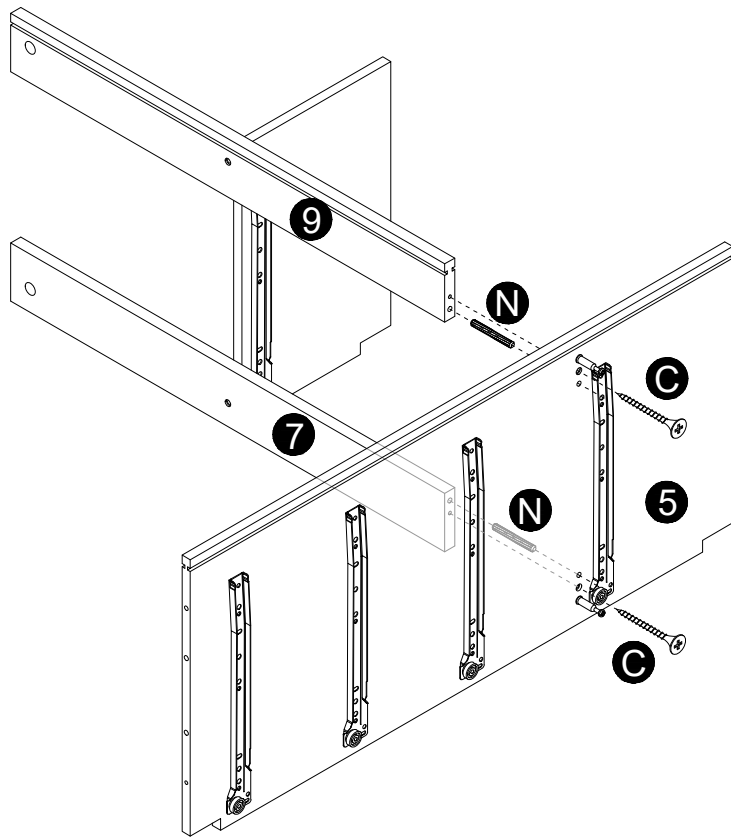
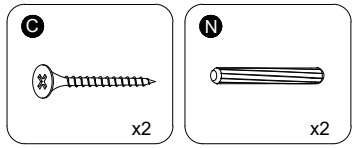
# Step 6



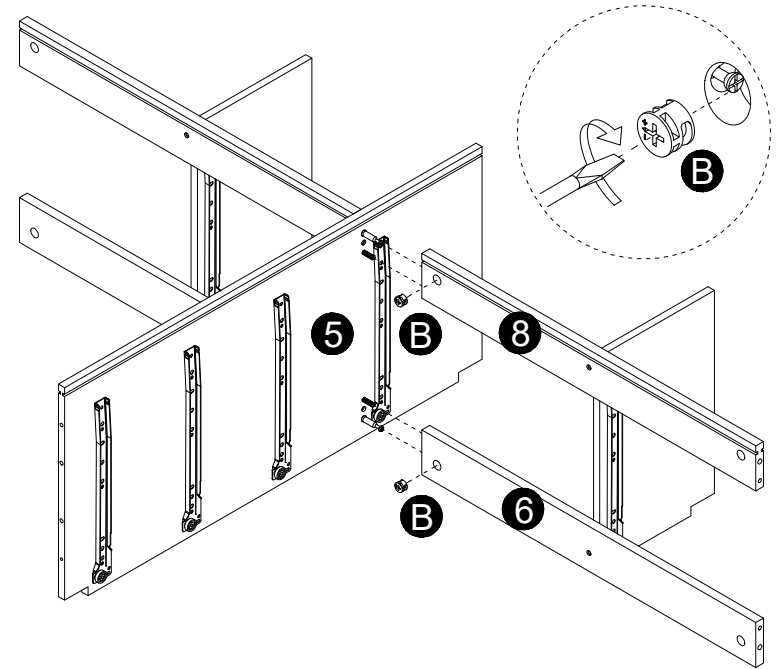
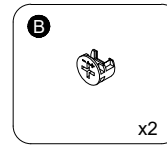
# Step 7



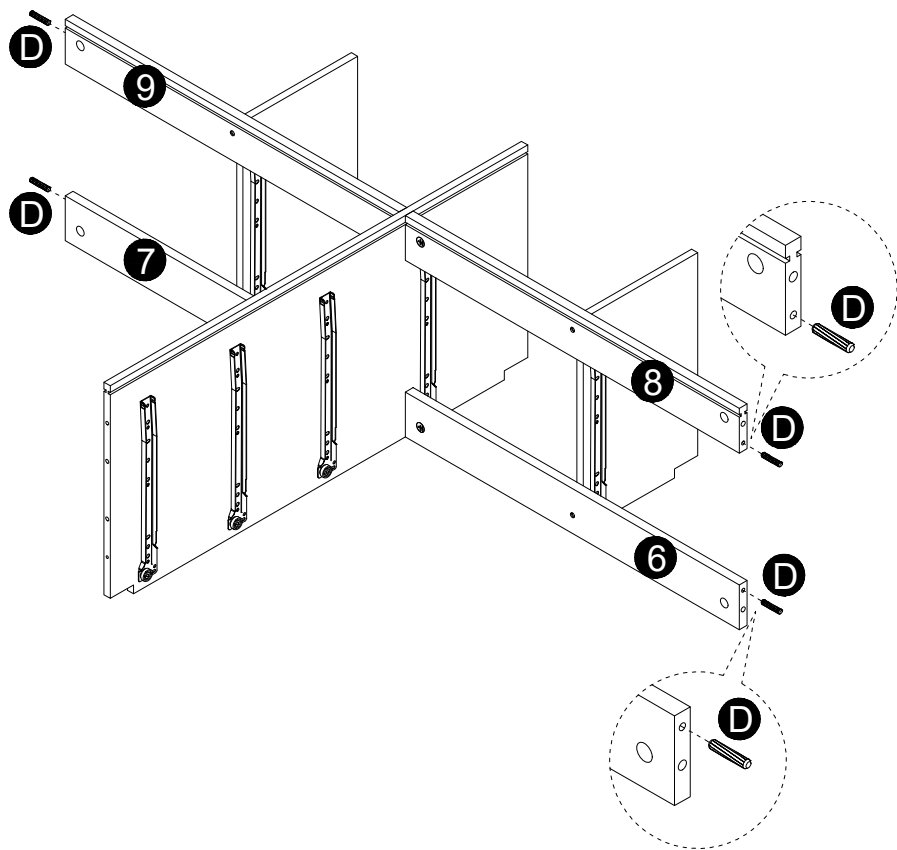
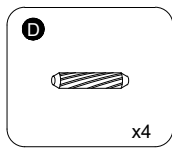
# Step 8



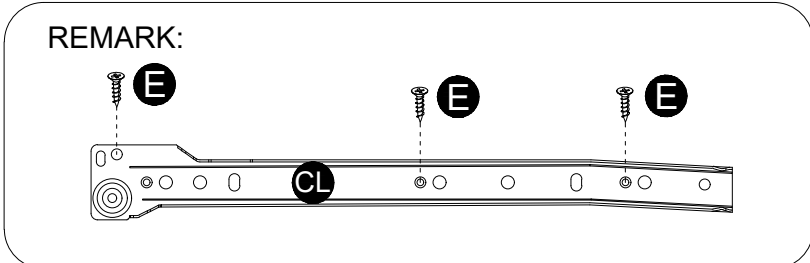
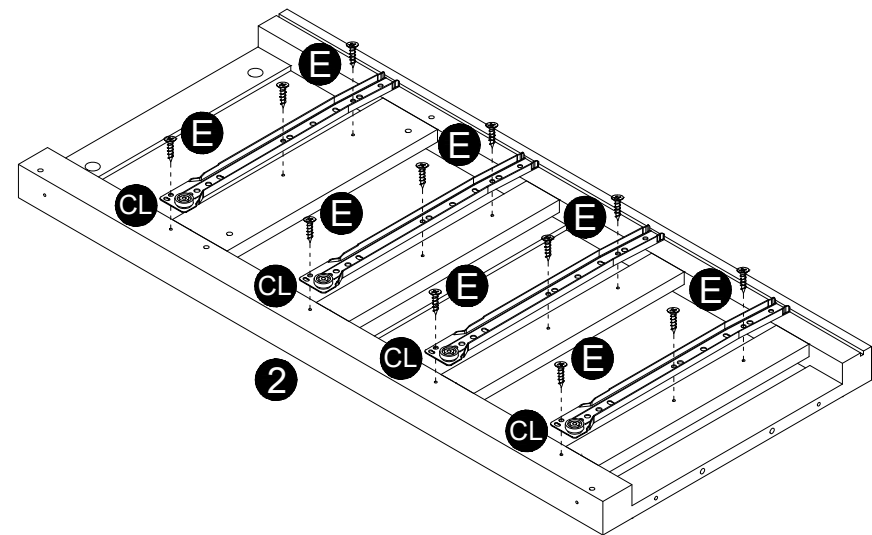
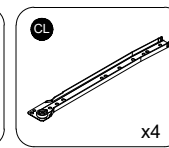
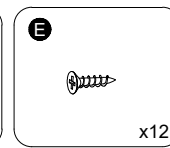
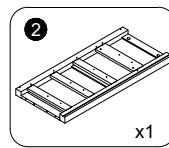
# Step 9



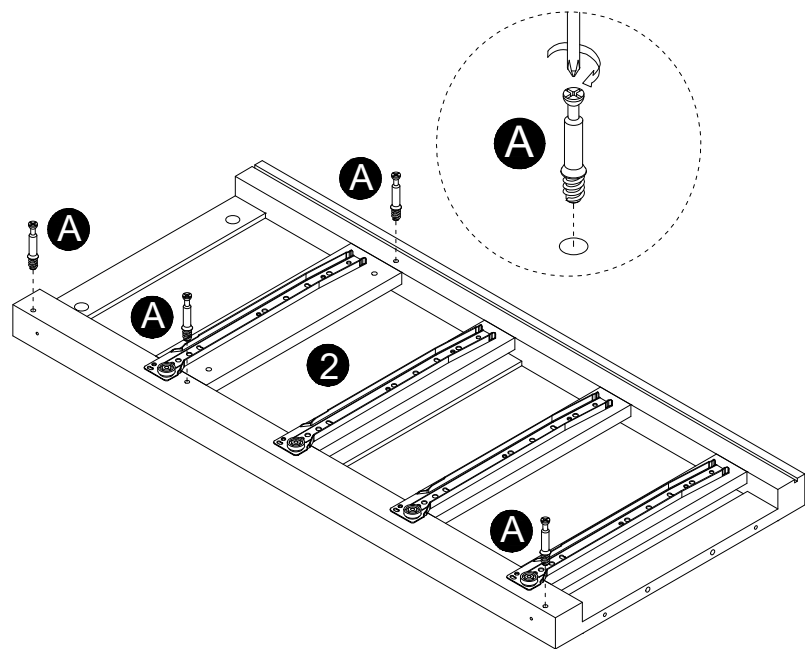
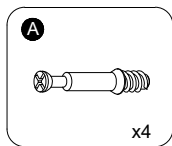
# Step 10



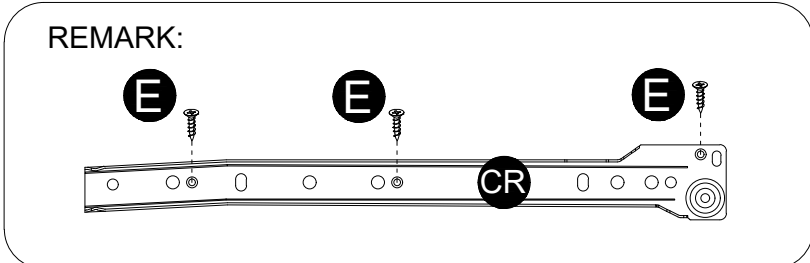
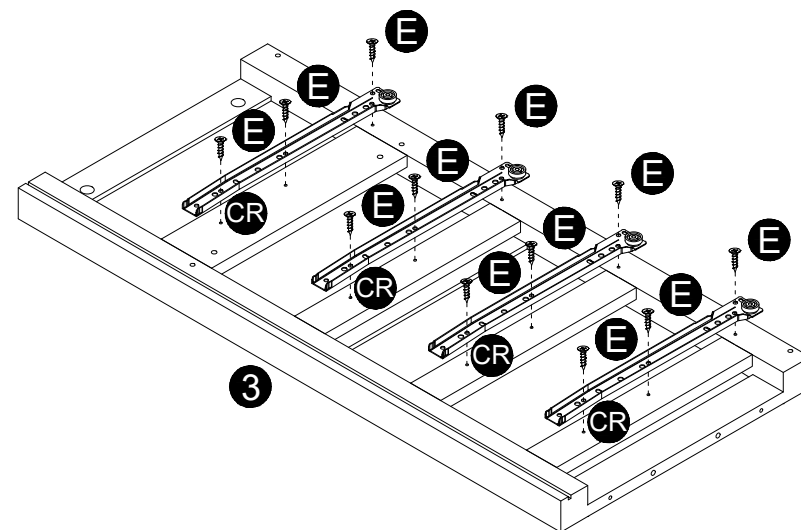
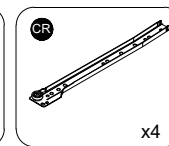
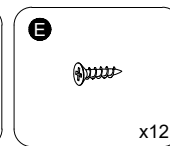
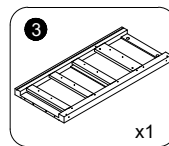
# Step 11



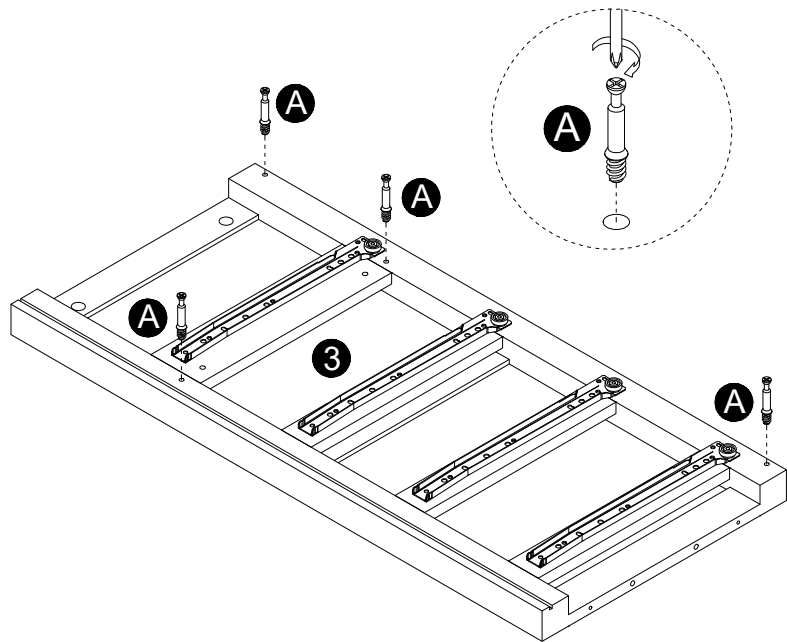
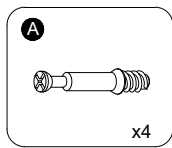
# Step 12



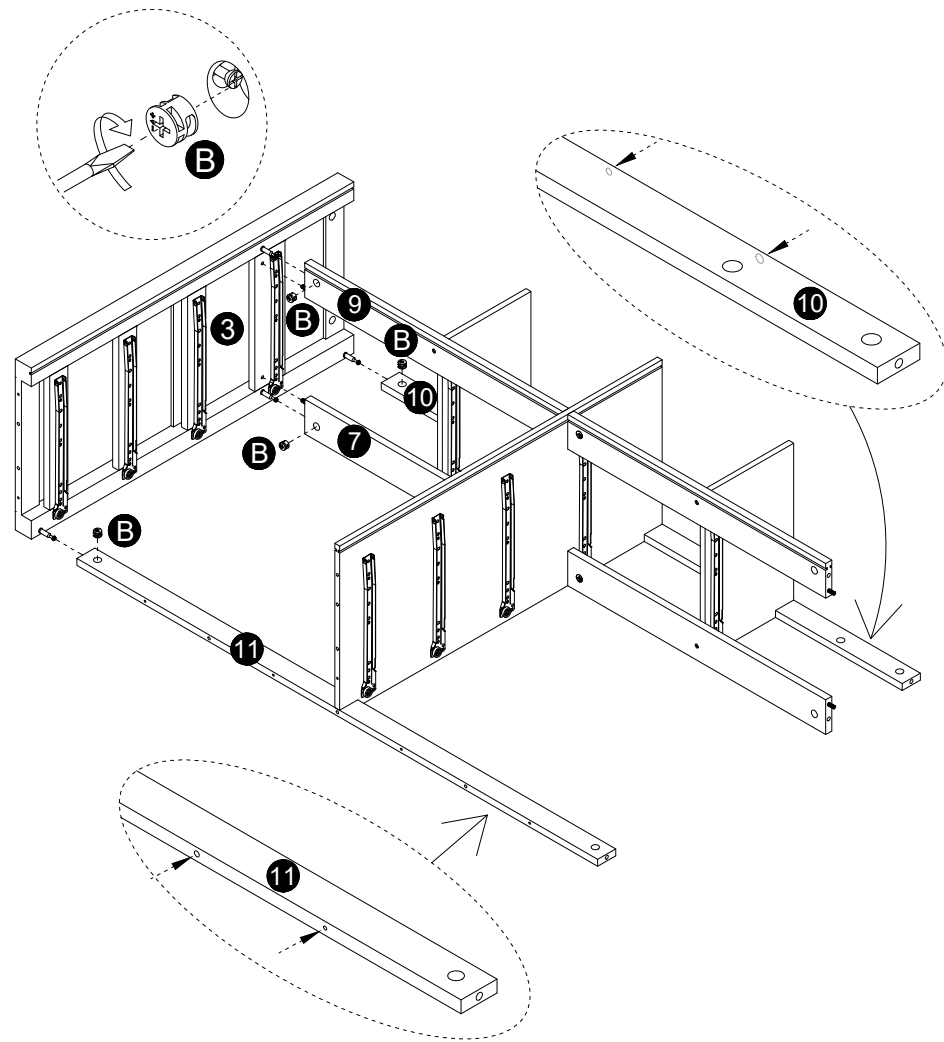
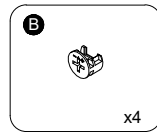
# Step 13



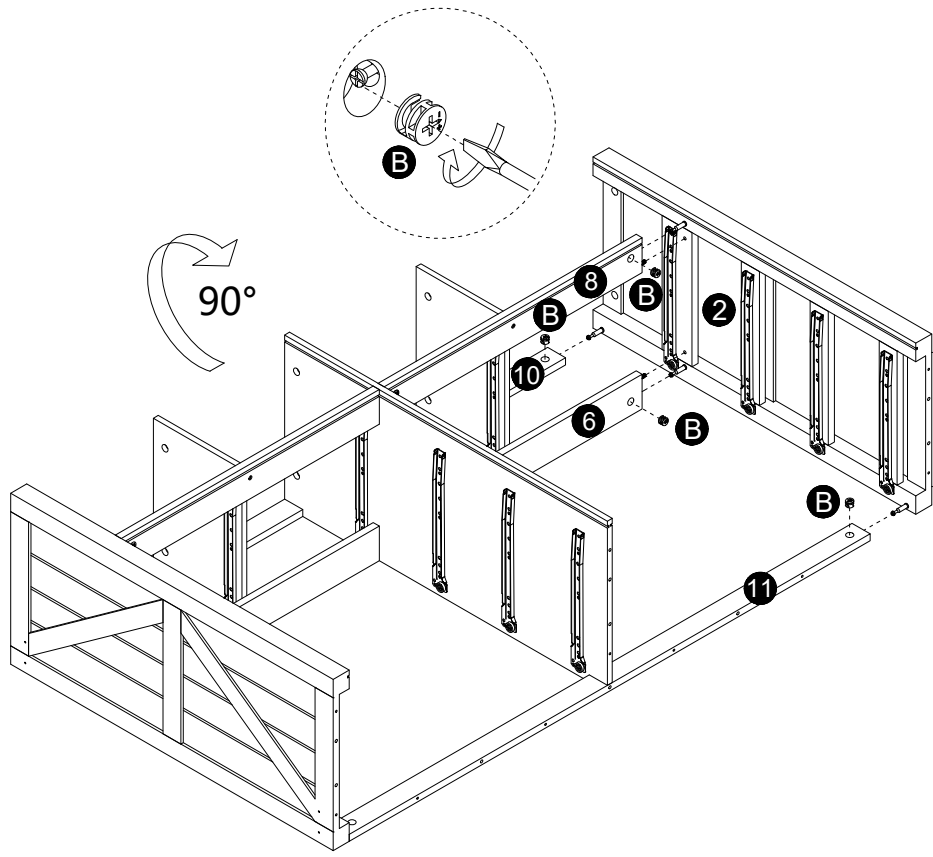
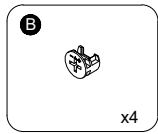
# Step 14



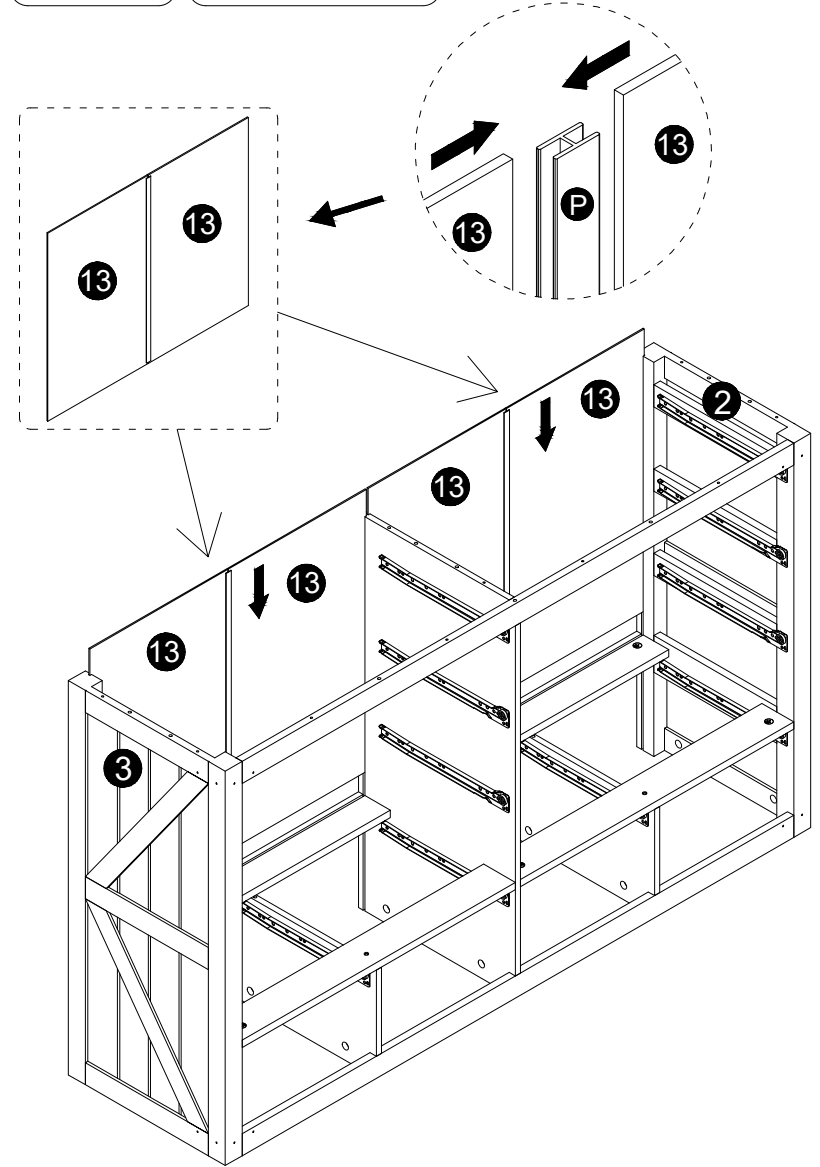
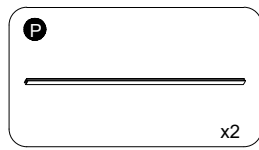
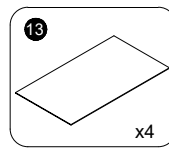
# Step 15



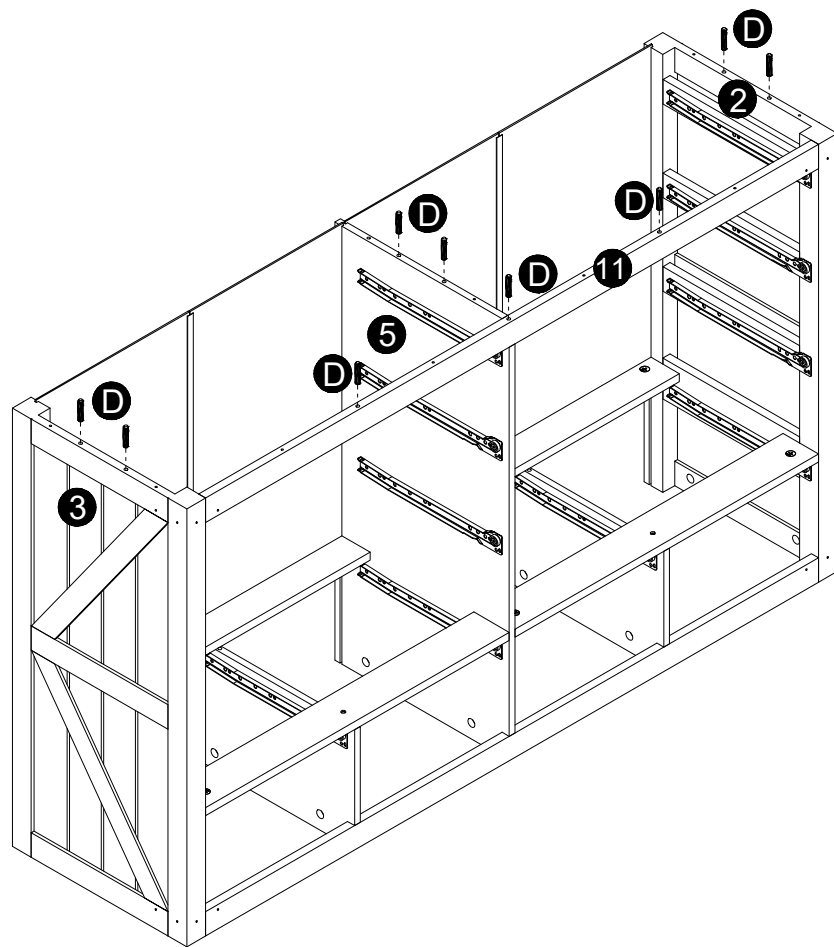
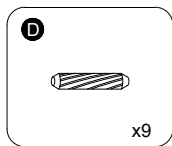
# Step 16



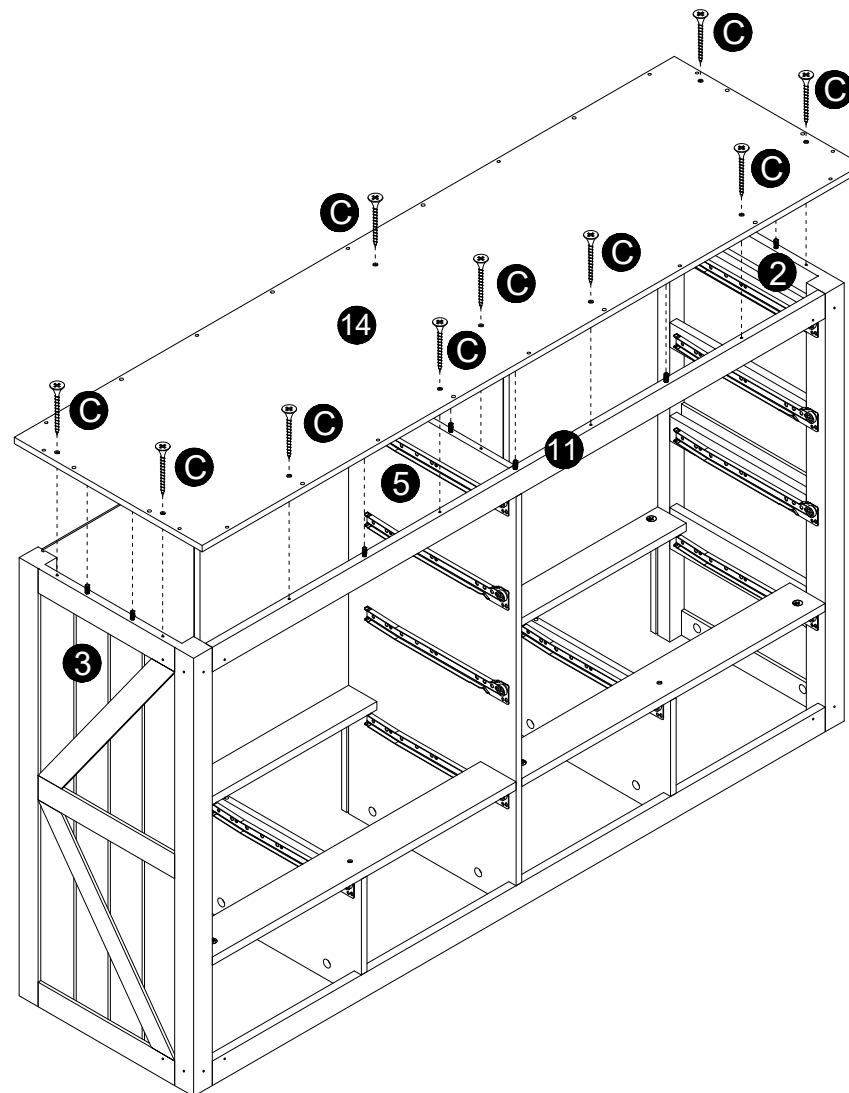
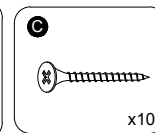
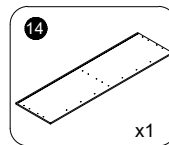
# Step 17



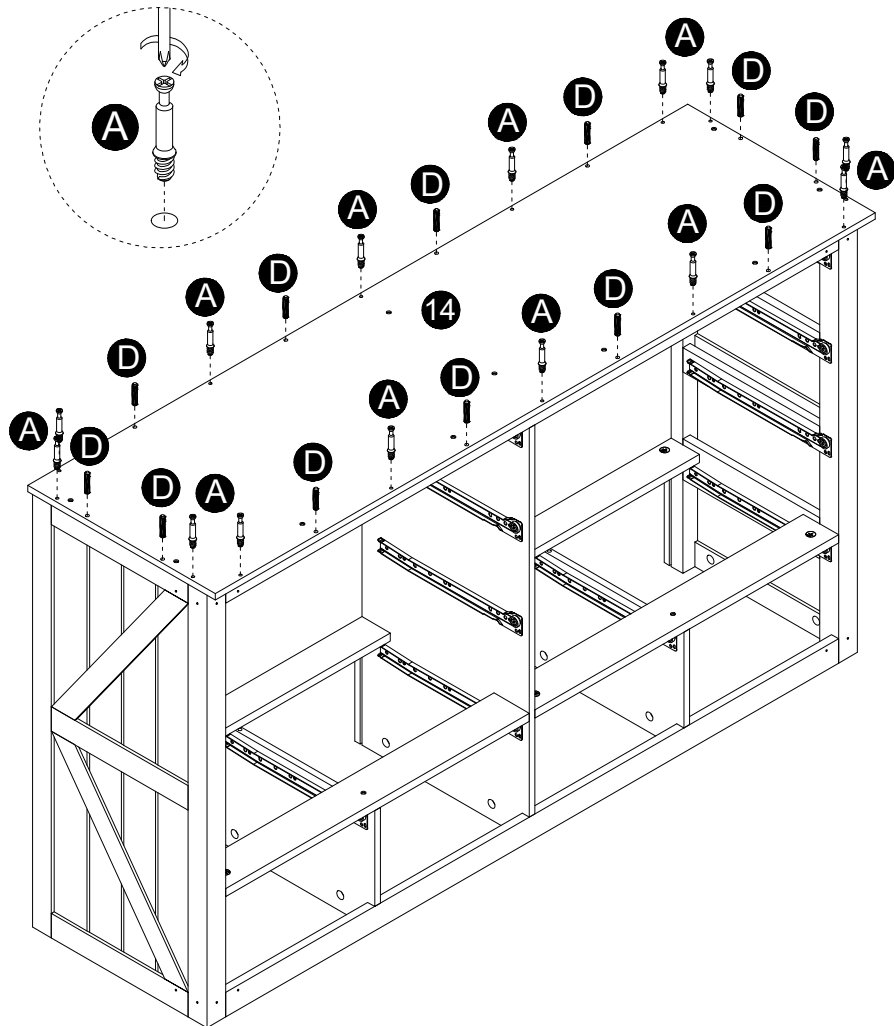
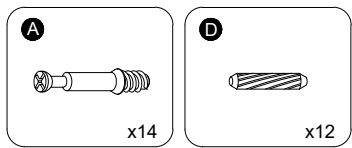
# Step 18



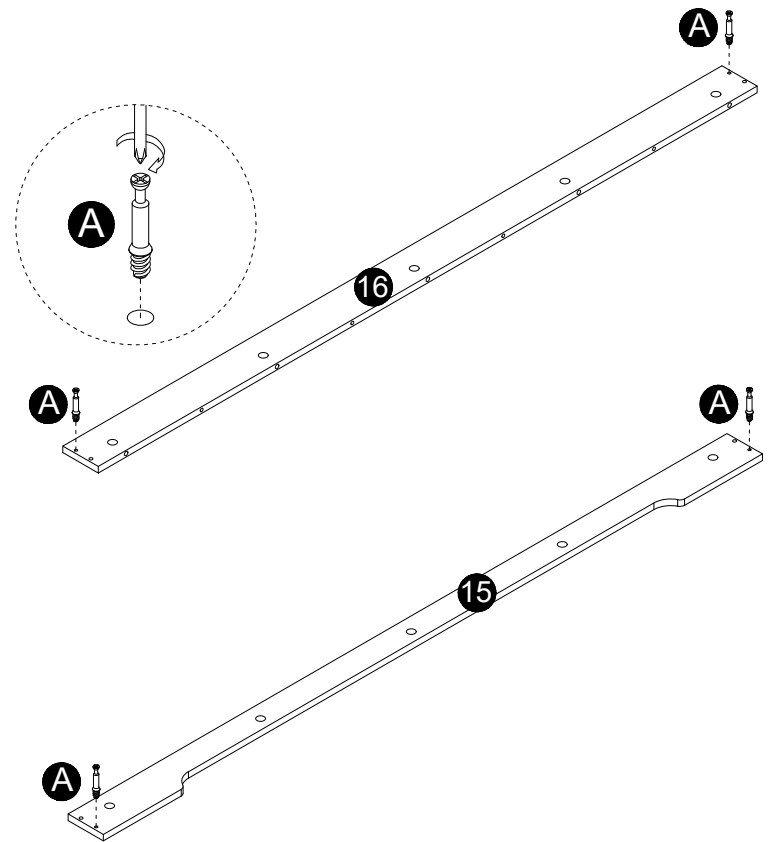
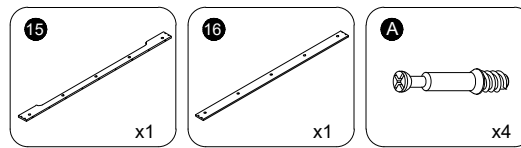
# Step 19



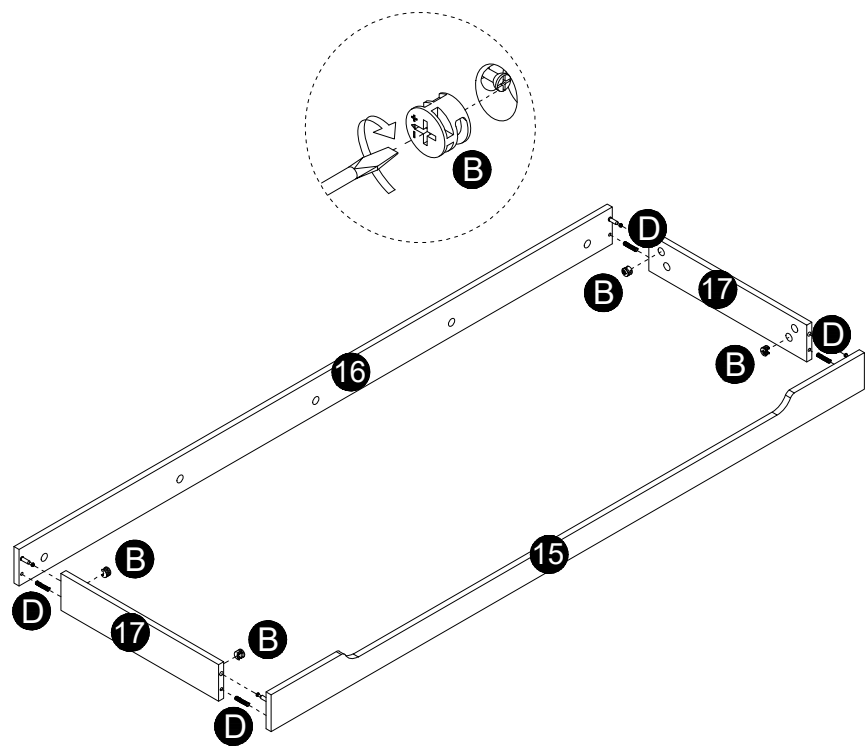
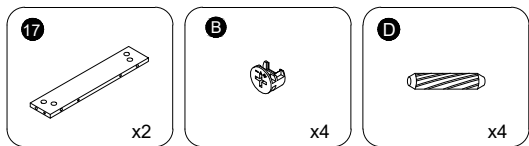
# Step 20



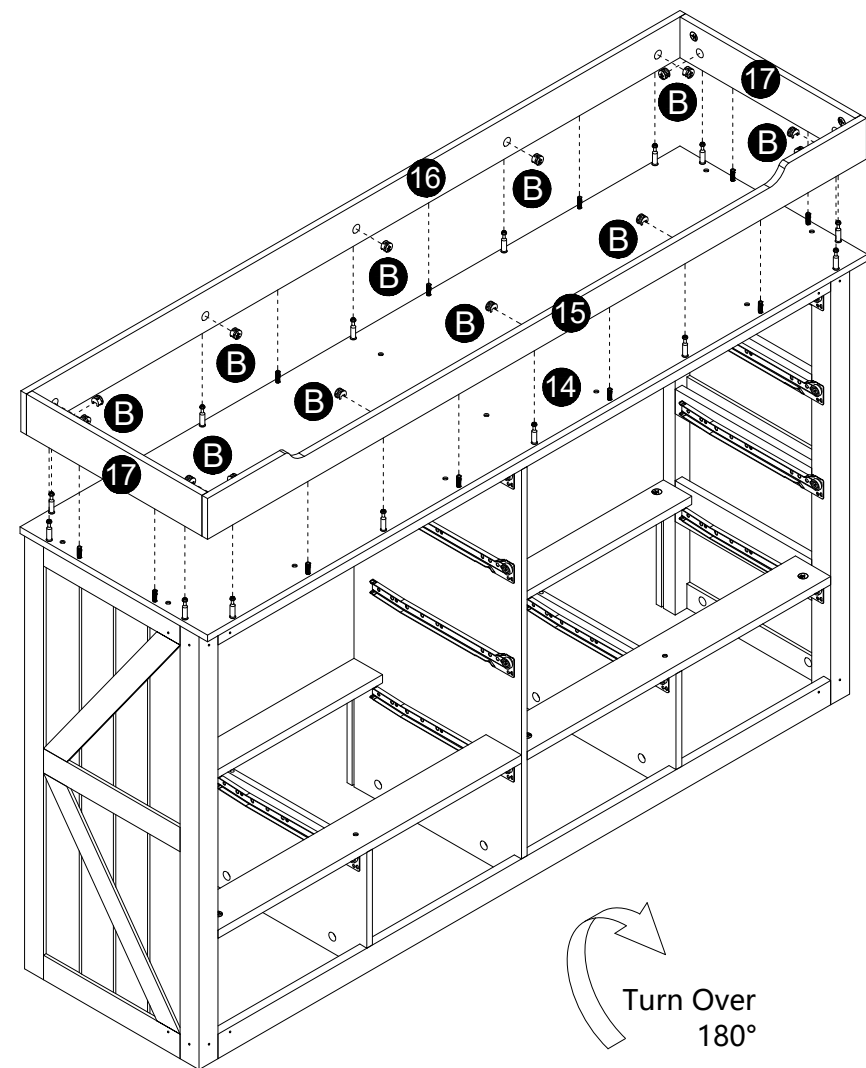
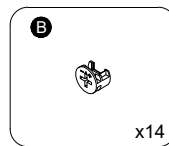
# Step 21



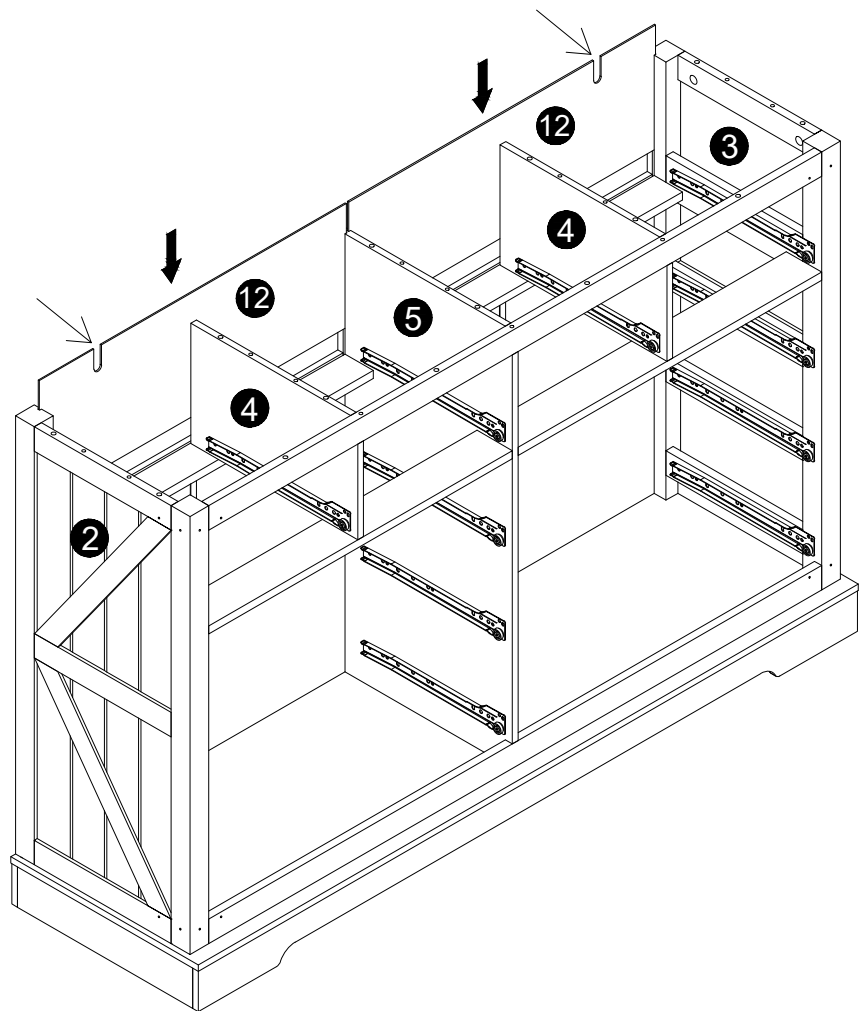
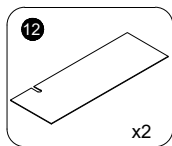
# Step 22



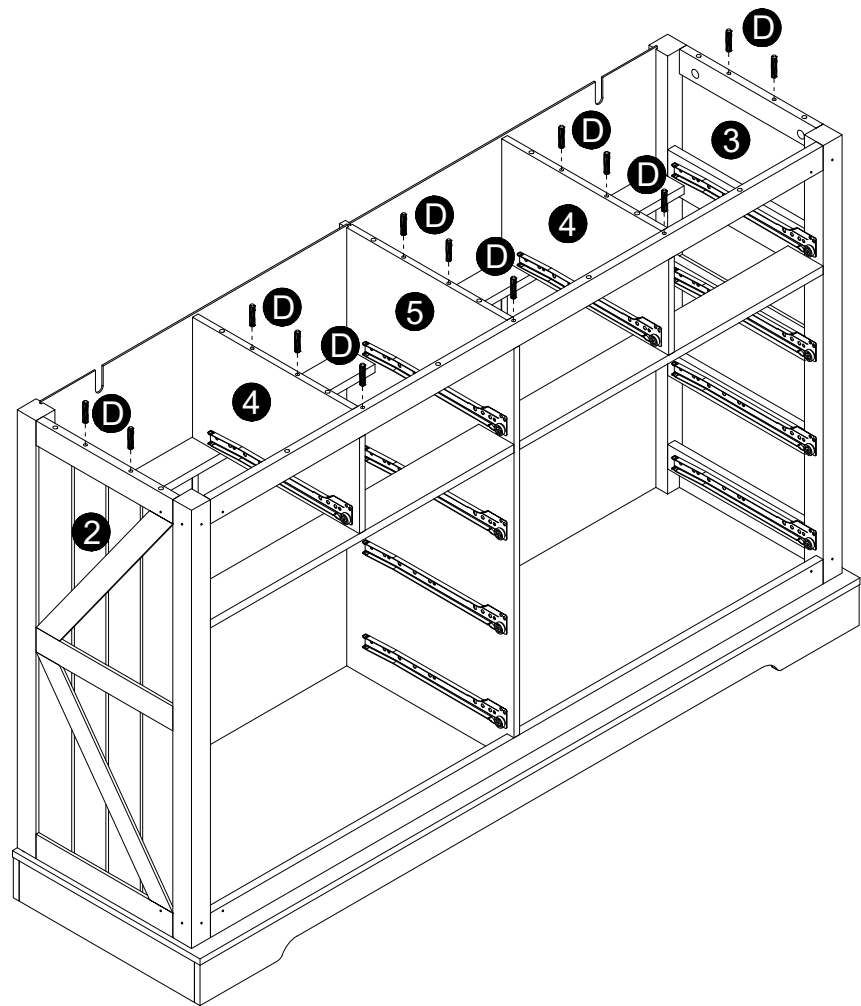
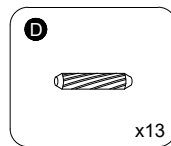
# Step 23



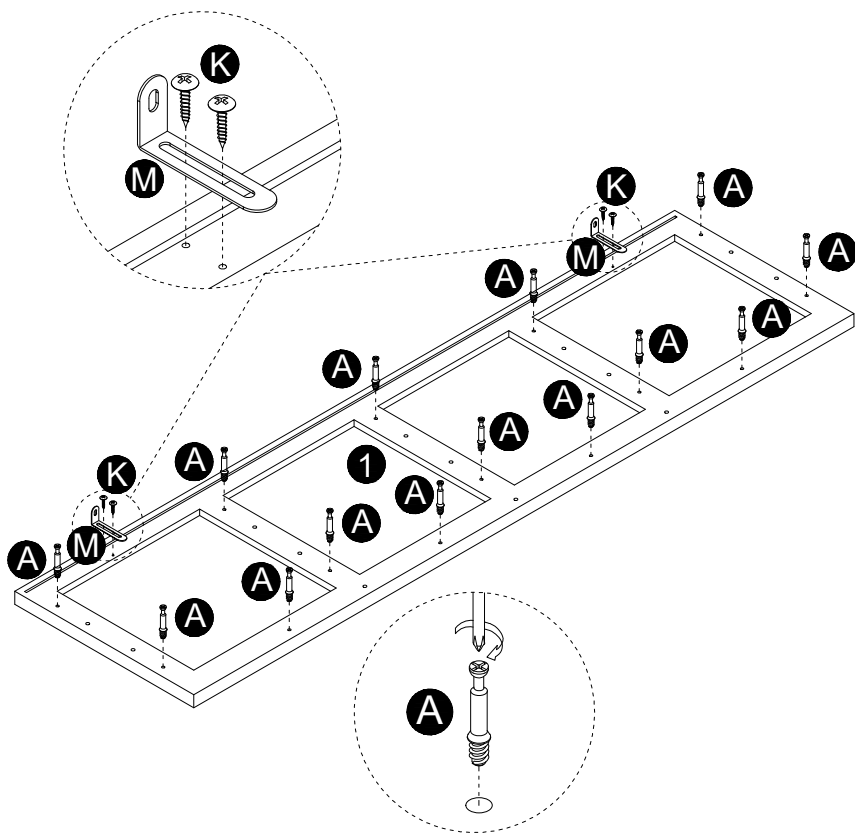
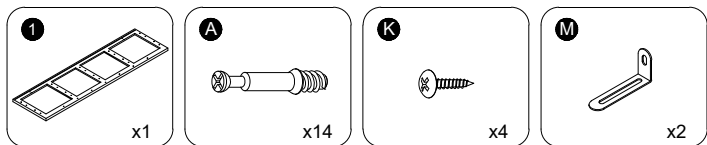
# Step 24



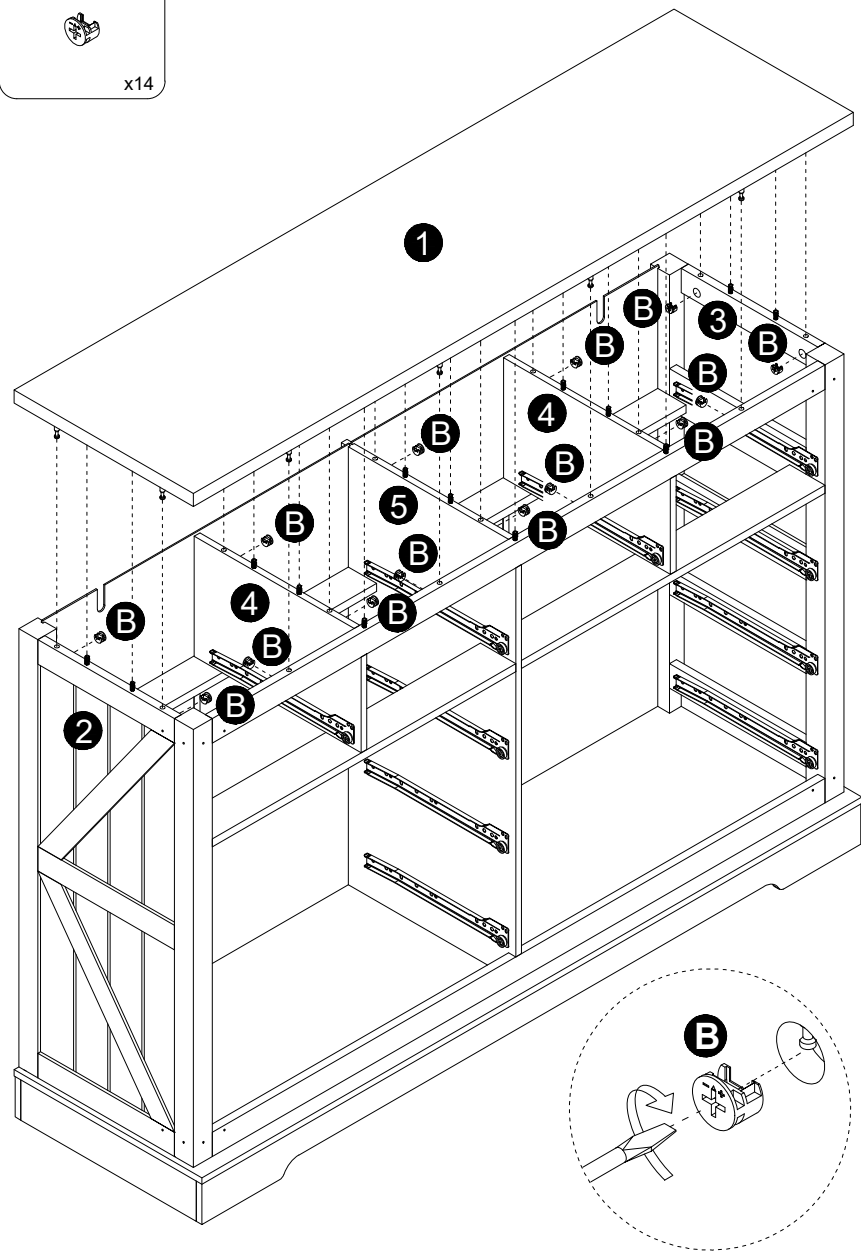
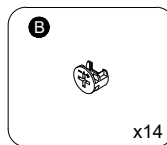
# Step 25



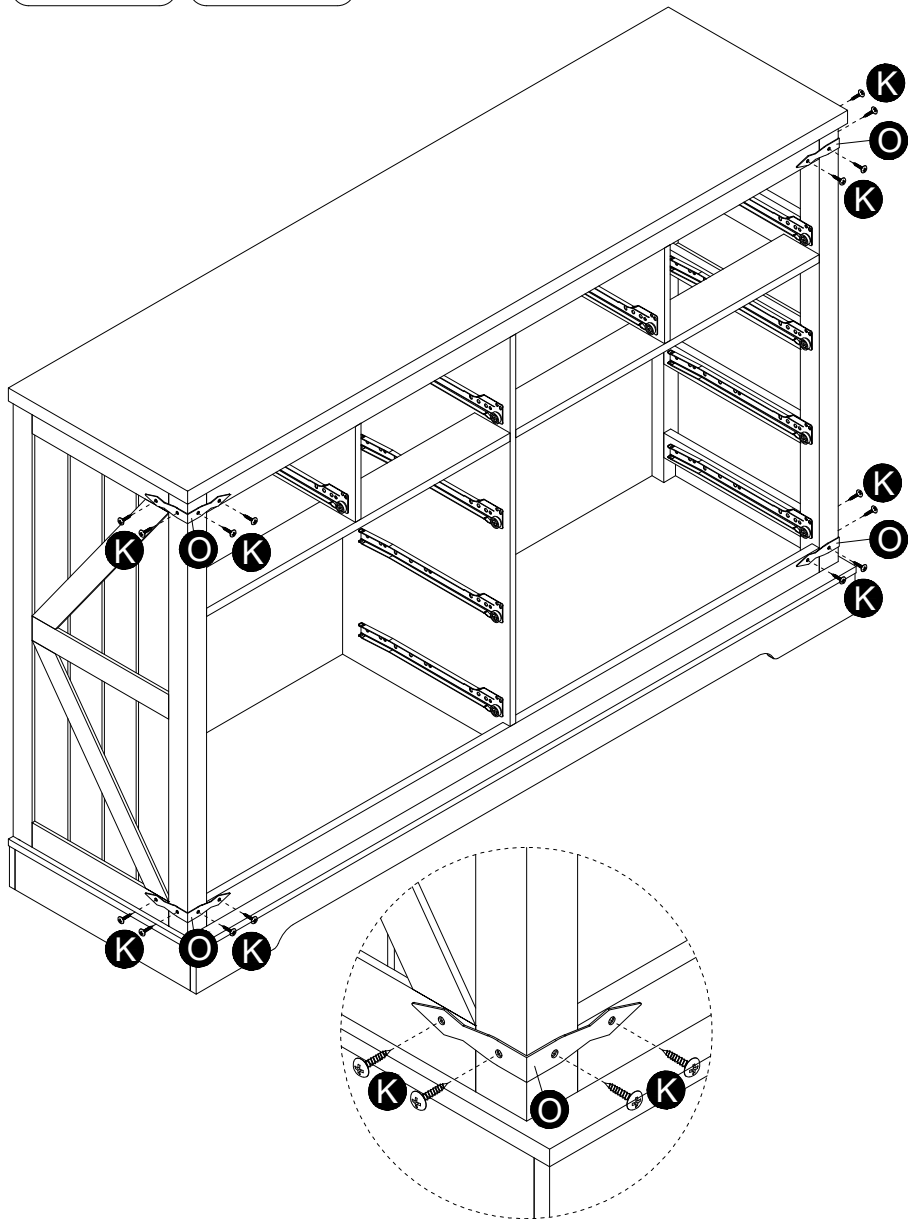
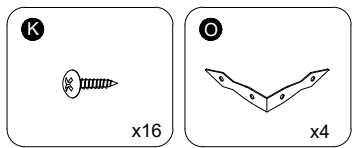
# Step 26



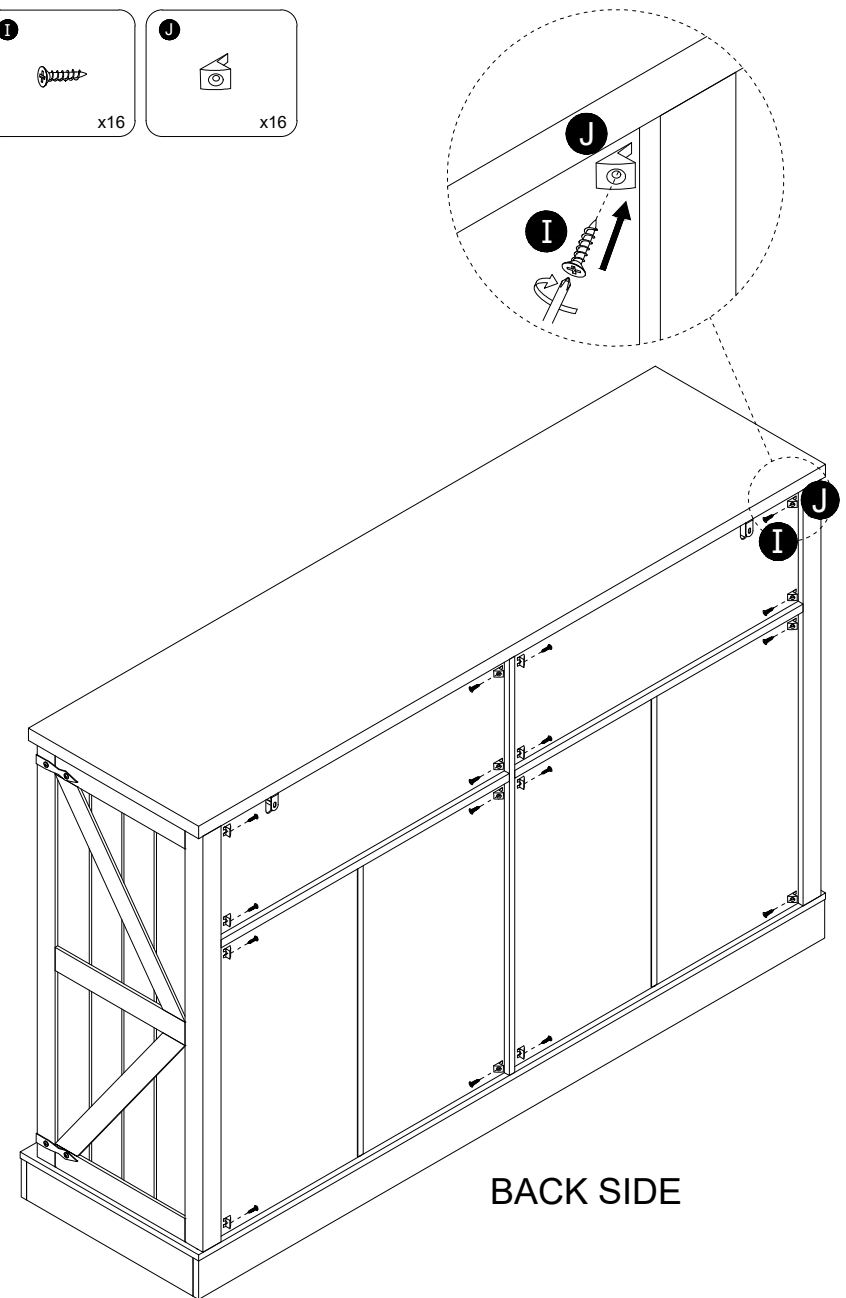
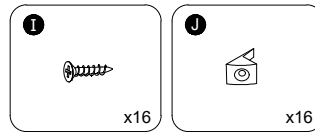
# Step 27



# Step 28

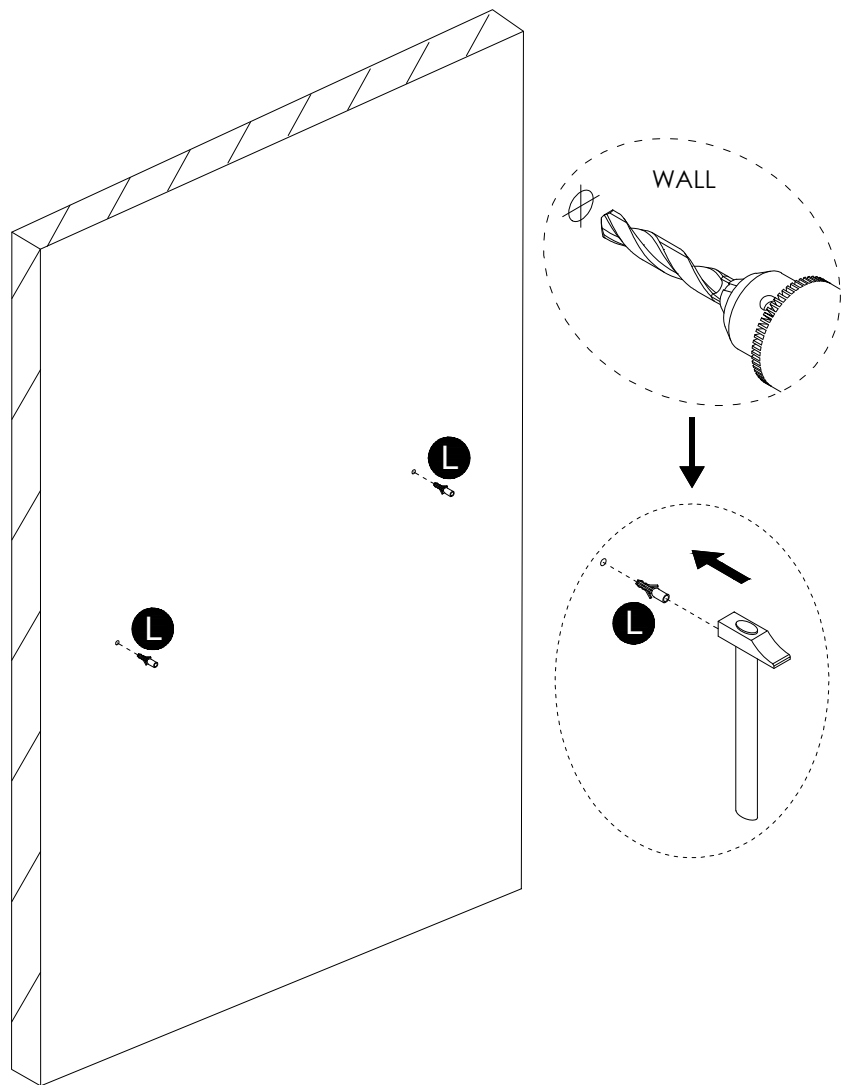
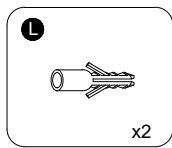


# Step 29

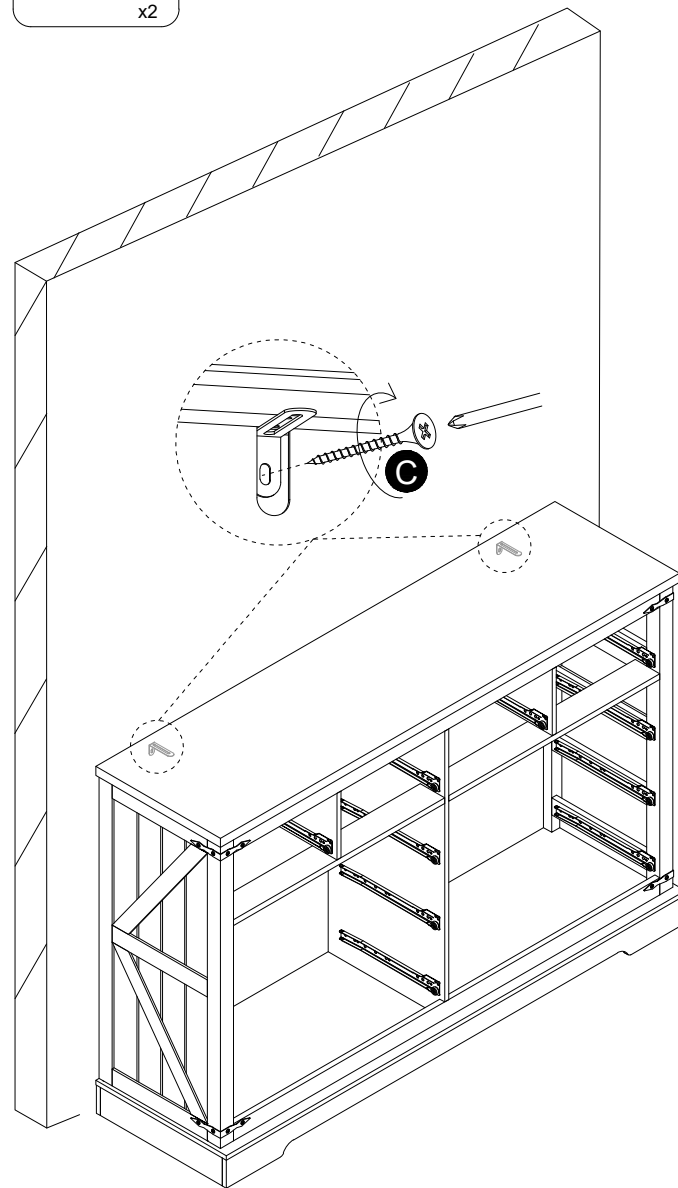
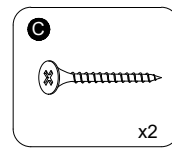


BACK SIDE

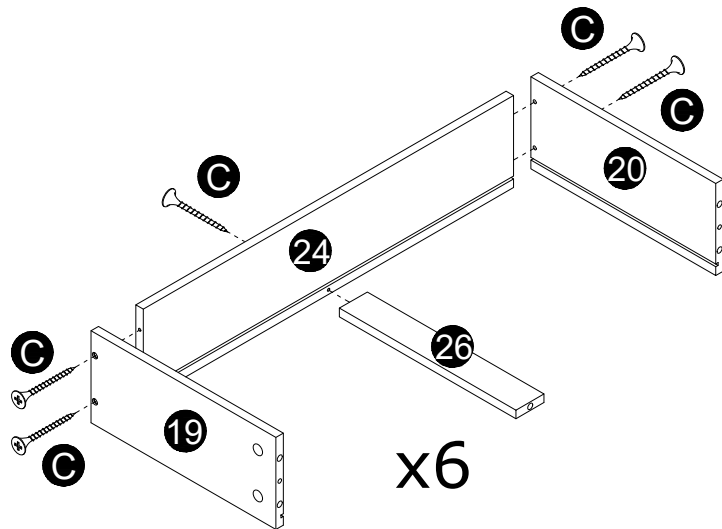
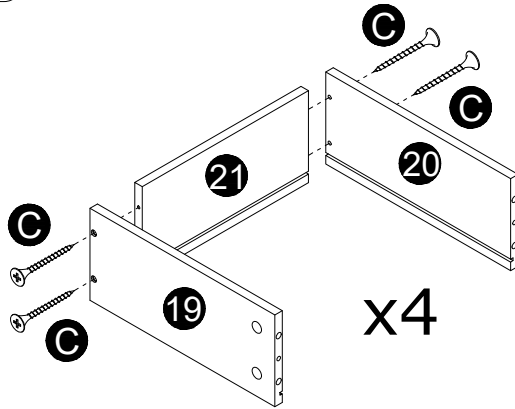
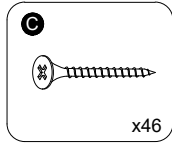
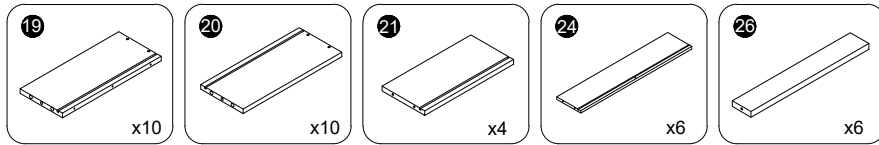
# Step 30



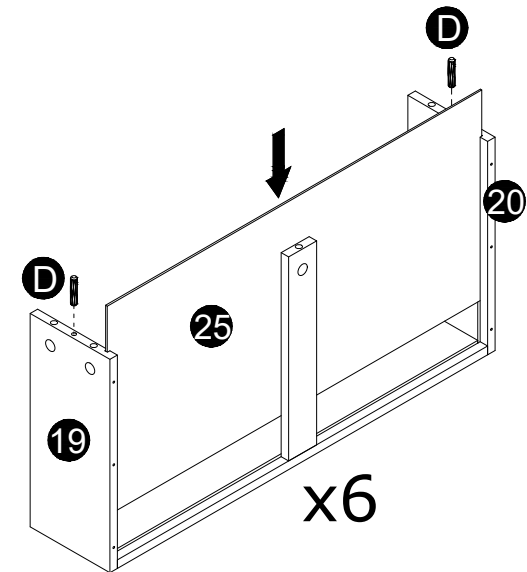
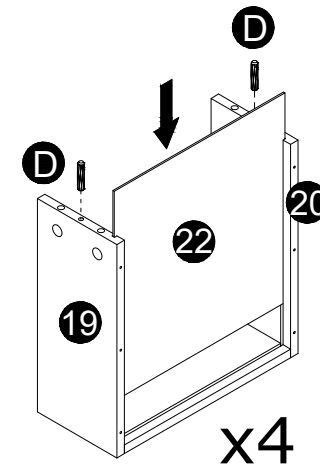
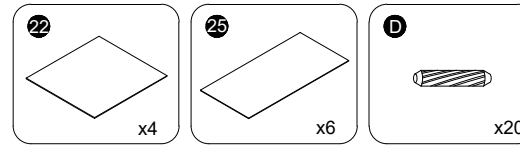
# Step 31



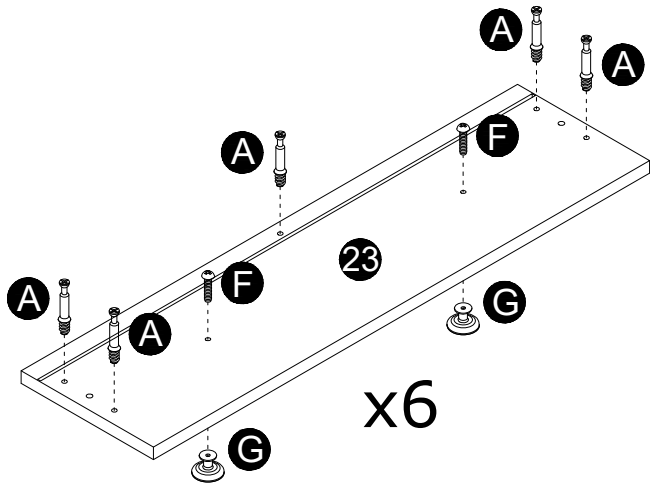
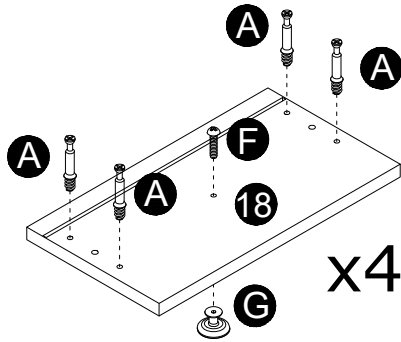
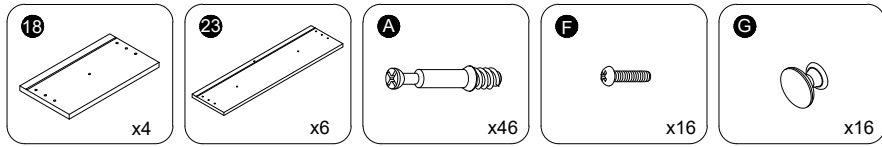
### Step 32



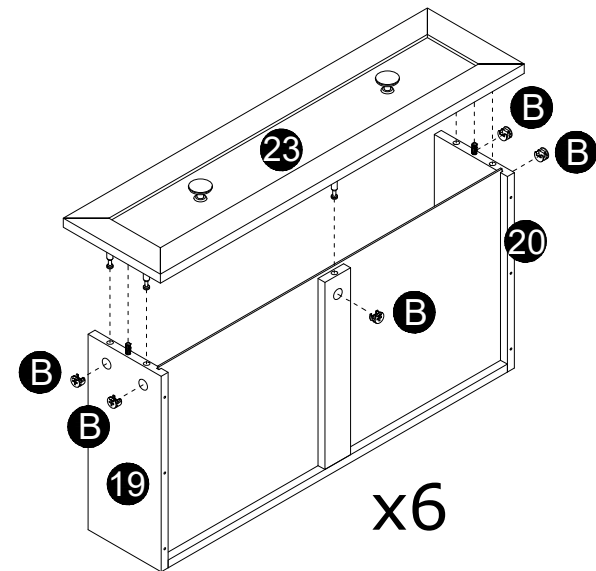
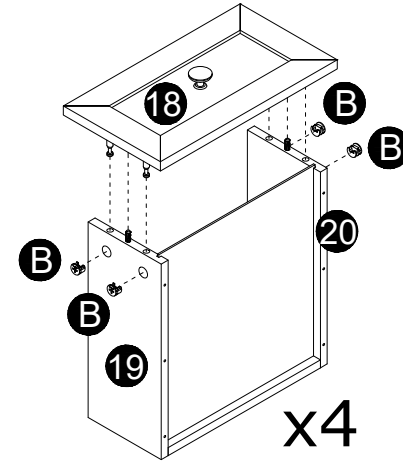
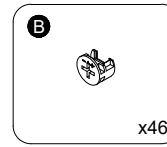
### Step 33



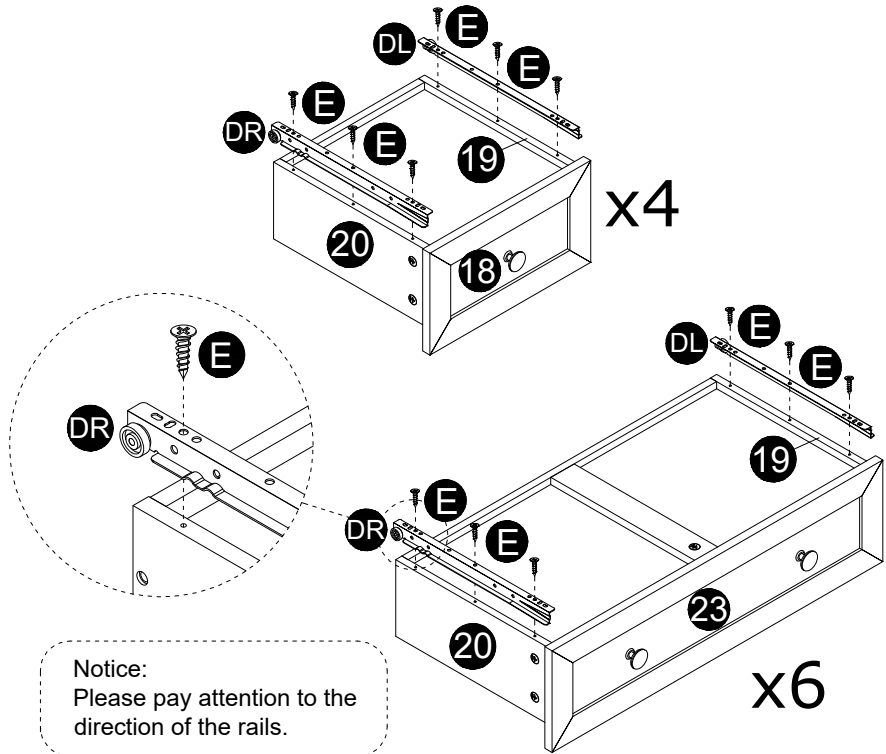
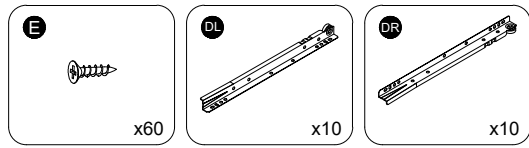
# Step 34



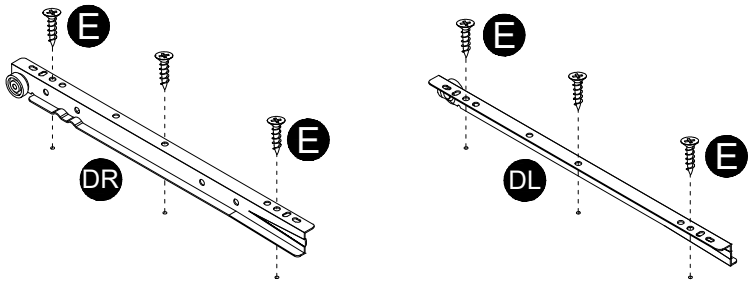
# Step 35



# Step 36



## REMARK:



# Step 37

