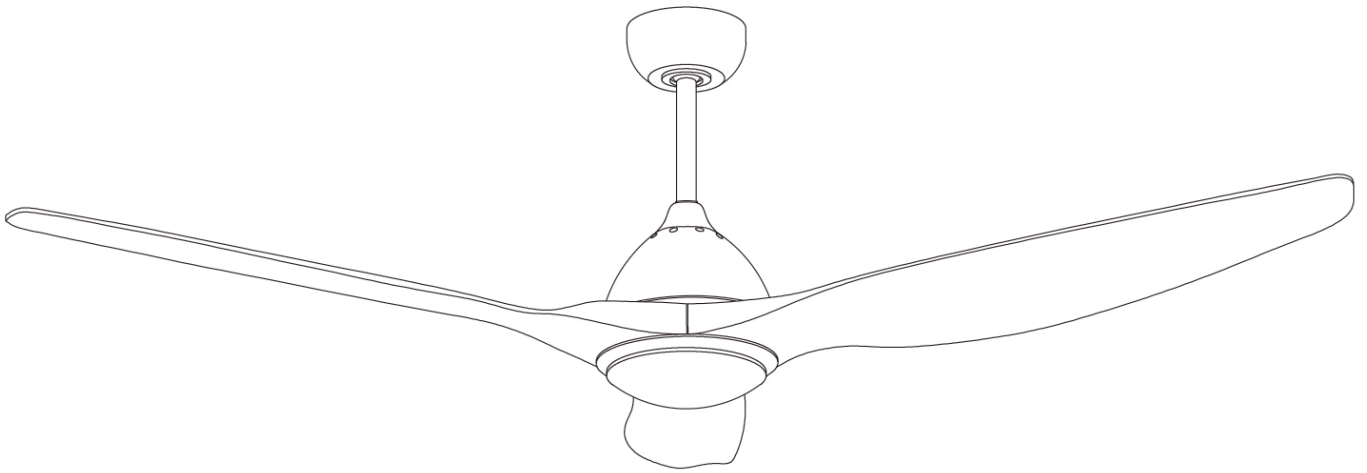


Instruction Manual



Read Carefully Before Use
Keep for Future Reference

CONTENTS

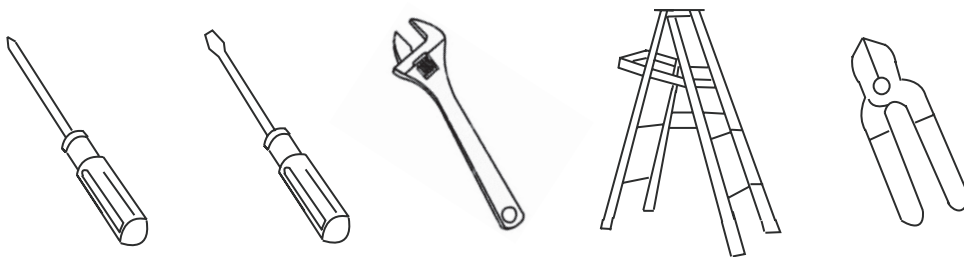
Introduction.....	1
Package List.....	2
Safety Information.....	3
Preparation.....	4
Initial Installation	5
Fan Housing Installation	5
Downrod Mounting	6
Circuit Connections	7
Canopy and Cover Installation	8
Fan Blade Installation	8
Light Installation	9
Color Temperature Adjustment	9
Remote Control Operation.....	10
Troubleshooting	11
Contact Information	12

Introduction

Before beginning installation of this product, read the package list on Page 2 and ensure all parts are present and display no defects. If any part is missing or damaged, contact customer service and do not attempt to install the product. Read all of the safety information on Page 3 before installation or use.

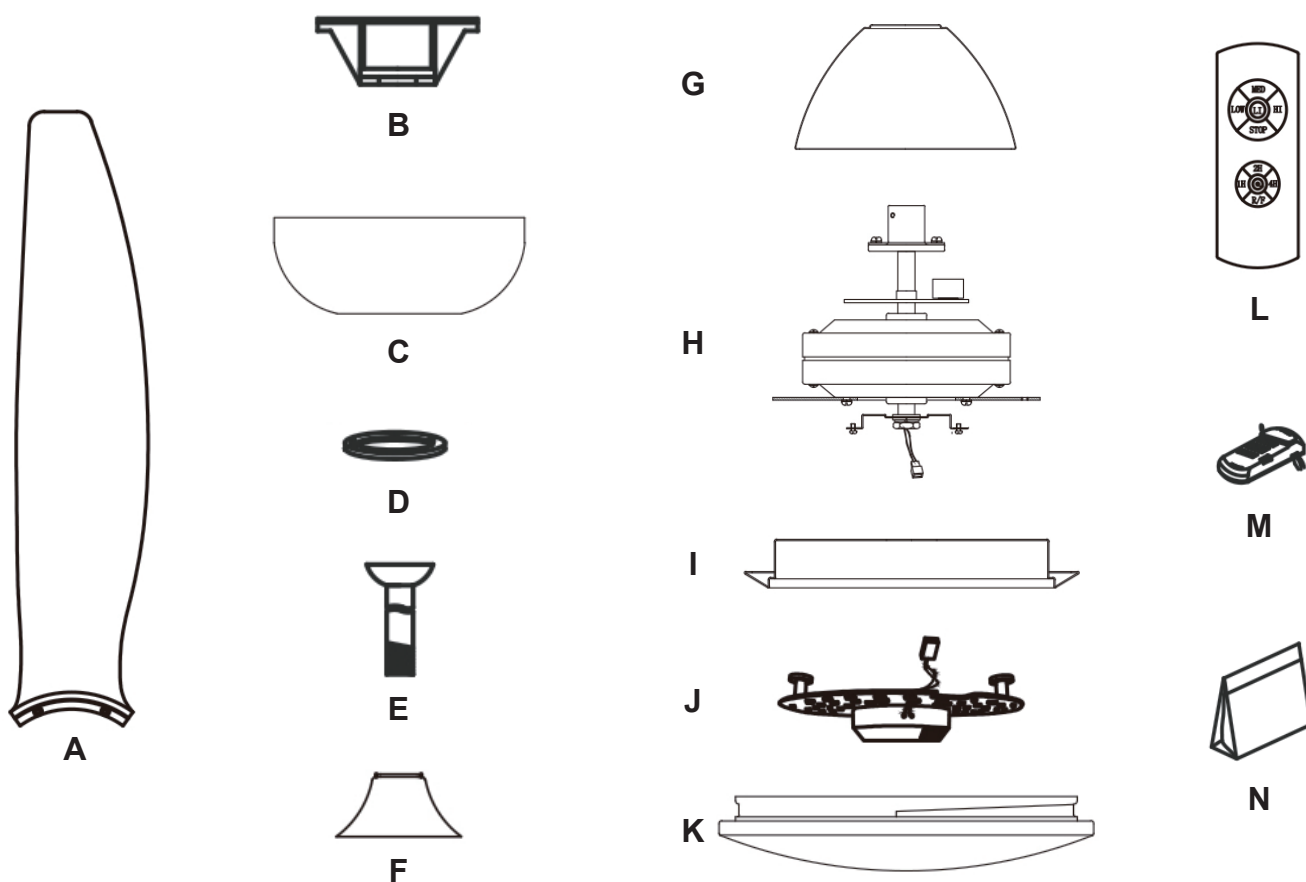
Estimated assembly time: 120 minutes

Additional tools required for assembly: Electrical tape, flathead & Phillips screwdriver, adjustable wrench, pliers, safety glasses, ladder, and wire strippers



Additional helpful tools: AC tester light, tape measure, wiring handbook, and wire cutters

Package List



Item	Name	Qty.
A	Fan Blades	3
B	Mounting Bracket	1
C	Canopy	1
D	Canopy Cover	1
E	Downrod	1
F	Coupling Cover	1
G	Fan Housing	1
H	Fan Motor Assembly	1
I	Light Plate	1
J	LED Light Kit	1
K	Shade	1
L	Remote Control	1
M	Receiver	1
N	Mounting Screws	2
	Mounting Bolts	4
	Metal Washers	8
	Wire Nuts	4
	Balance Kit	1

Safety Information

Warning!

1. To reduce the risk of electric shock, ensure electricity has been turned off at the circuit breaker or fuse box before beginning.
2. All wiring must be in accordance with national and local electrical codes. Electrical installation should be performed by a qualified licensed electrician.
3. This fan is suitable for use with solid-state speed controls.
4. To reduce the risk of personal injury, use only the fasteners provided with the junction box for mounting to the junction box. Most junction boxes commonly used for the support of lighting fixtures are not acceptable for fan support and may need to be replaced. Consult a qualified electrician if in doubt.

TO REDUCE THE RISK OF FIRE, ELECTRIC SHOCK, & PERSONAL INJURY,
MOUNT FAN TO A JUNCTION BOX MARKED "ACCEPTABLE FOR FAN SUPPORT".


5. The junction box and support structure **MUST** be securely mounted to create a level surface within 10° of horizontal and **MUST** be capable of reliably supporting a minimum of 50 pounds. Use only UL listed junction boxes marked "**FOR FAN SUPPORT**".
6. After marking electrical connections, spliced conductors should be turned upward and pushed carefully up into the junction box. The wires should be spread apart with the grounded conductor and the equipment-grounding conductor on one side of the junction box.
7. The fan must be mounted with a minimum of 7 feet clearance from the trailing edge of the blades to the floor.
8. Do not use the reverse switch while the fan blades are in motion. To prevent damage and ensure long use, the fan must be turned off and the blades stopped before reversing direction.
9. Do not place objects in the path of the blades.
10. Exercise caution when working around or cleaning the fan.
11. Use a soft dry cloth to clean the fan body and blades. Do not use water or detergent.
12. The electrical diagrams provided herein are for reference only. Light kits that are not packaged with the fan must be UL listed and suitable for use with this fan. Switches must be UL general use switches. Refer to their separate instructions for proper assembly.

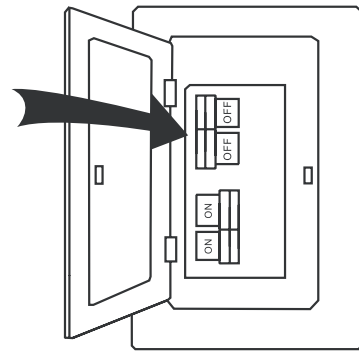
NEVER BEND THE BLADES FOR ANY REASON.

Preparation

1. Turn off Your Power

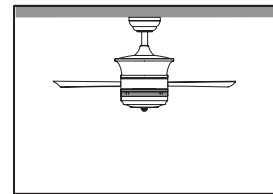
Begin installation by removing fuses or turning off circuit breakers to the wiring you will be using. Use your compatible UL listed junction box if you already have one installed.

 Failure to disconnect the power supply prior to installation may result in serious injury or death.

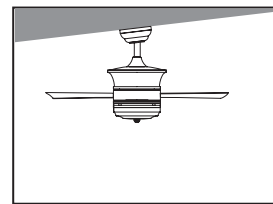


2. Choose Your Mounting Position

If you need to install a new UL listed junction box, secure it directly to your building's structure using appropriate fasteners and materials. Do not use plastic boxes. The junction box and its supports must be able to support the **MOVING** weight of the fan (at least 50 lb.) and be rated for fan support. The junction box should create a level surface for the fan that is not sloped greater than 10 degrees from horizontal in any direction.



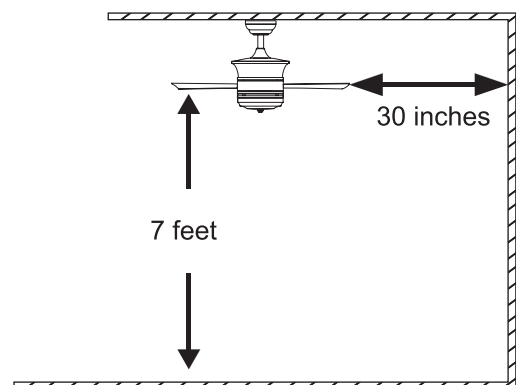
Use **ONLY** on Flat Ceilings ($\pm 10^\circ$)



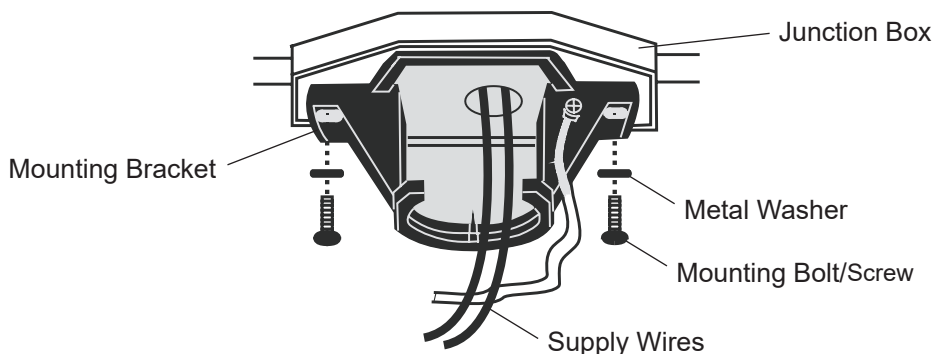
DO NOT Use on Sharp Slopes

3. Choose a Suitable Location

Ensure the blades will be at least 30 inches from any obstruction and at least 7 feet above the floor. In locations without a ceiling joist, a hanger support bar may be required. Do not install in damp locations.

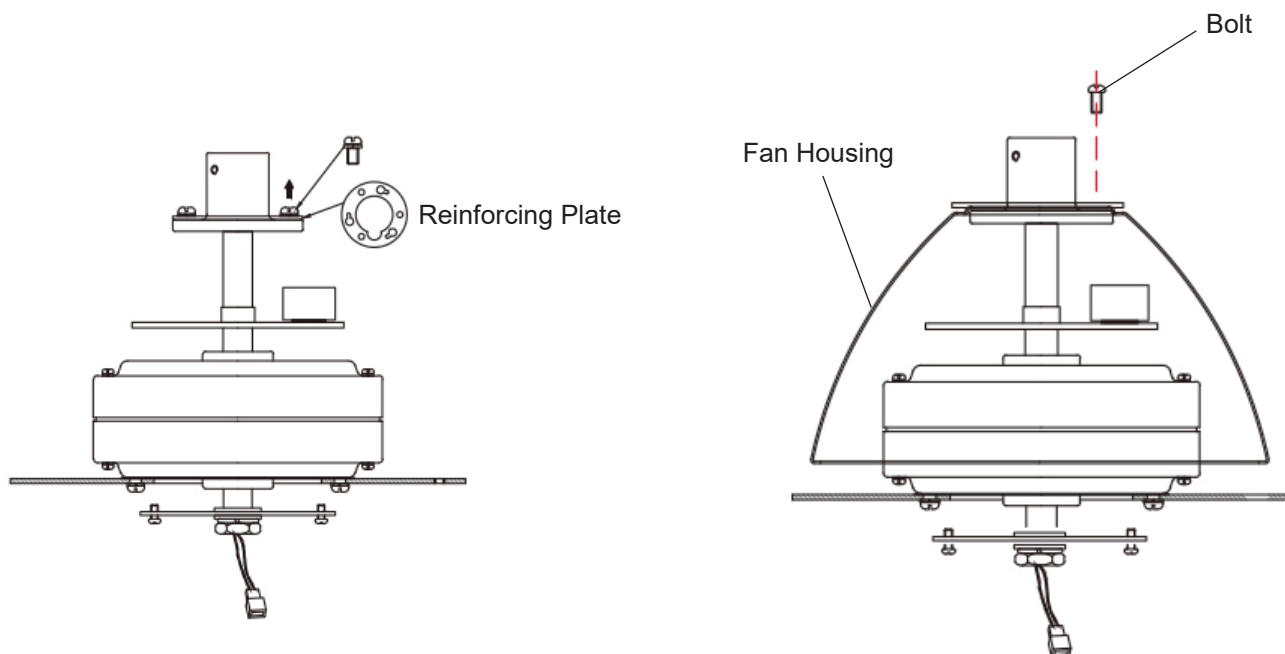


Initial Installation



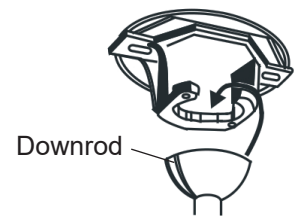
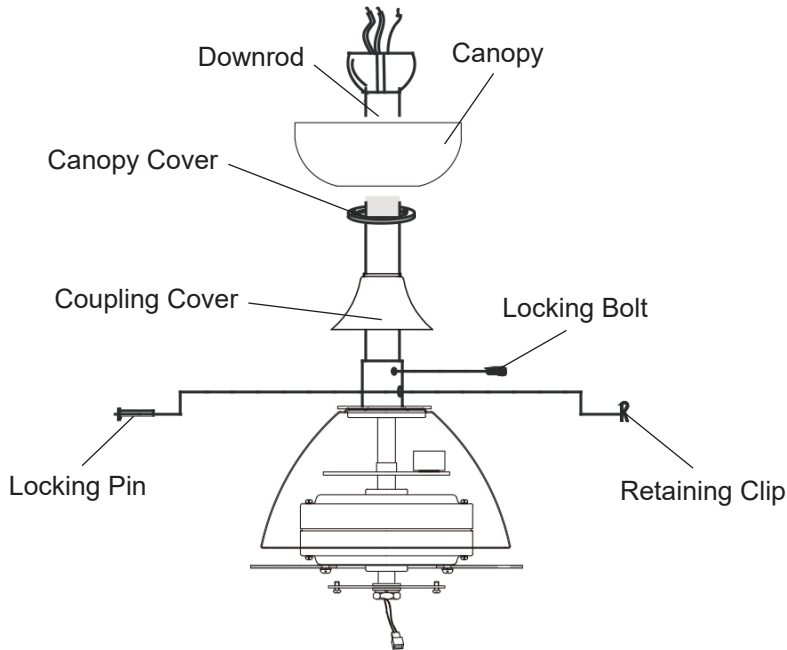
- Step 1.** Pass the supply wires from the junction box through the central hole of the mounting bracket.
- Step 2.** Secure the bracket to the junction box with the metal washers and mounting bolts or screws.

Fan Housing Installation



- Step 1.** Remove the 8 pre-installed bolts from the reinforcing plate on the top of the motor assembly.
- Step 2.** Fit the fan housing in place on the reinforcing plate and secure it by replacing and retightening the bolts.

Downrod Mounting



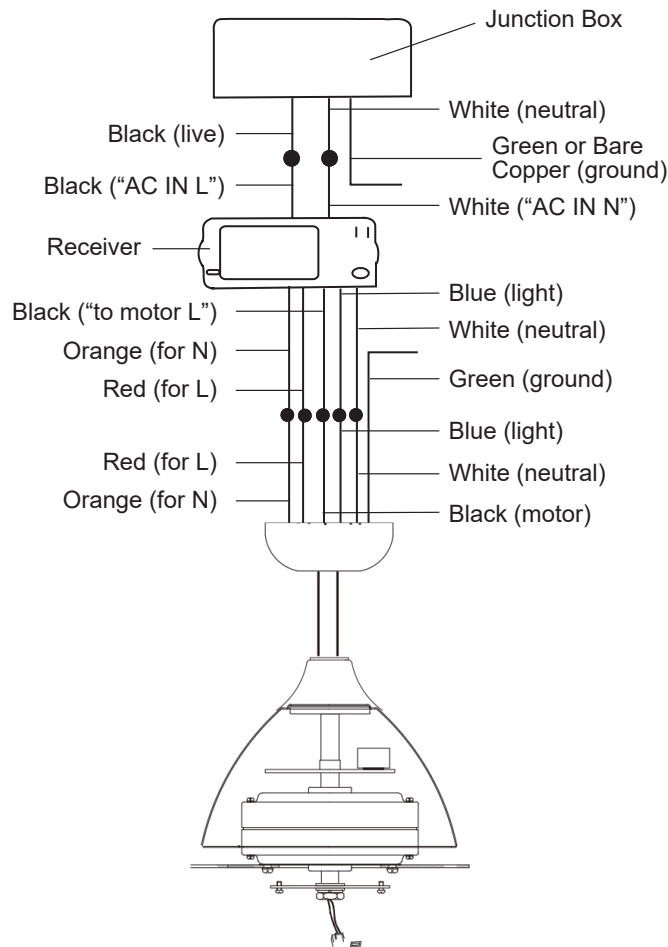
- Step 1.** Remove the locking pin and retaining clip from the downrod.
- Step 2.** Loosen the two locking bolts on the top of the motor assembly.
- Step 3.** Carefully slide the canopy, canopy cover, and coupling cover onto the downrod.
- Step 4.** Feed the wires of the fan motor assembly through the downrod.
- Step 5.** Install the downrod onto the top of the motor assembly, aligning their holes and replacing the pin and the clip.
- Step 6.** Retighten the previously loosened bolts.
- Step 7.** Place the downrod's top mount onto the mounting bracket. Rotate the entire assembly until the tab has dropped into its slot and sits firmly. The entire motor assembly should no longer rotate if seated properly.

Failure to reattach the locking pin and/or properly seat the downrod can cause the fan to fall from the ceiling during operation.



DO NOT use the fan before ensuring it is properly secured and the motor cannot rotate.

Circuit Connections

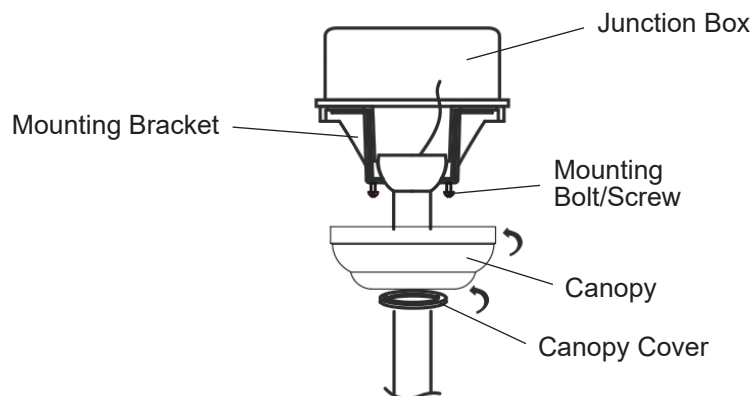


Again, ensure that the power has been cut before working with the wiring. Use the wire nuts provided with your fan.

Ensure there are no loose wires or connections, and secure connectors with electrical tape.

- Step 1.** Insert the receiver into the tray with the receiver facing the ceiling. For best results, make sure the white antenna on the end of the receiver remains extended and not tangled with any of the electrical wires.
- Step 2.** Connect the 5 colored wires of the receiver to the 5 identically colored wires of the fan motor. Secure each set with the provided wire nuts.
- Step 3.** Connect the 2 colored wires of the receiver to the 2 identically colored wires of the junction box. Secure each set with the provided wire nuts.
- Step 4.** Connect the green or bare copper ground wire of the junction box to the ground wire of the ceiling fan motor. Separate the white and green connections from the black wire connections, which should be kept on opposite sides of the junction box.

Canopy and Cover Installation



Step 1. Tuck all the connections neatly into the outlet box.

Step 2. Slide the canopy up to the ceiling mounting bracket and place the key hole slots over the mounting screws or bolts on the bracket. Rotate the canopy until the screw or bolt heads lock in place at the narrow section of the key hole.

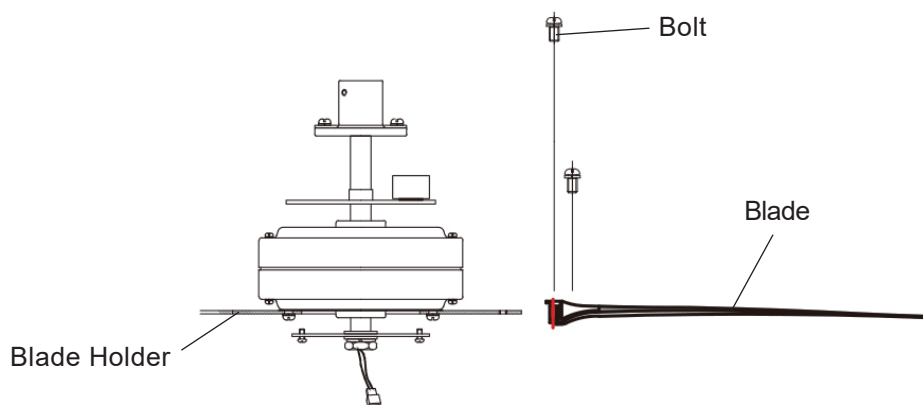
Step 3. Attach the canopy cover to the bottom of the canopy and screw it into place.

Fan Blade Installation

Step 1. Remove the bolts and washers pre-installed on the blade holder underneath the fan motor assembly.

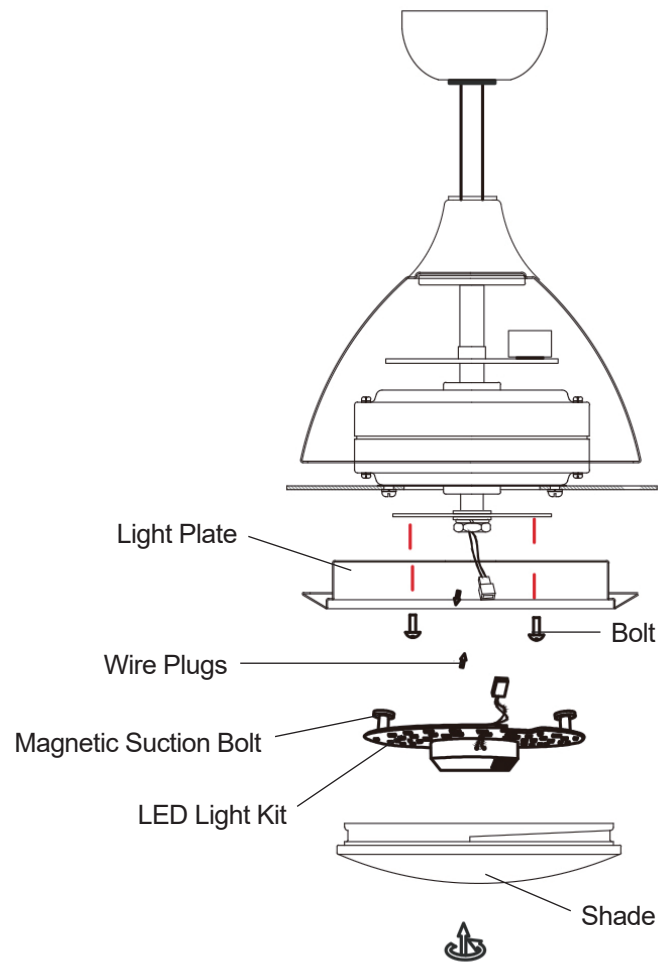
Step 2. Fit the blades in place on the blade holder aligning their holes with each other.

Step 3. Making sure the blades are straight, secure them by replacing and retightening the bolts and washers.



Light Installation

- Step 1.** Remove the bolts from the bottom of the fan motor assembly.
- Step 2.** Feed the wire plug of the fan motor assembly through the middle of the light plate. Install the light plate onto the motor assembly and secure it by replacing and retightening the bolts.
- Step 3.** Connect the LED light kit to the light plate using its magnetic suction-cup bolts.
- Step 4.** Connect the wire plug of the LED light kit to the wire plug of the fan motor assembly (blue to blue and white to white).
- Step 5.** Fit the shade onto the light plate and screw it into place. Ensure it is firmly connected to avoid loosening during use.



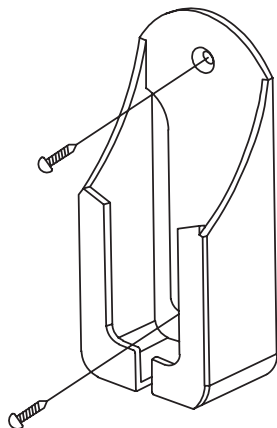
Color Temperature Adjustment

The LED light has 3 different color settings: Warm White (3000K), Daylight (4500K), and Cool White (6000K). To adjust the light settings,

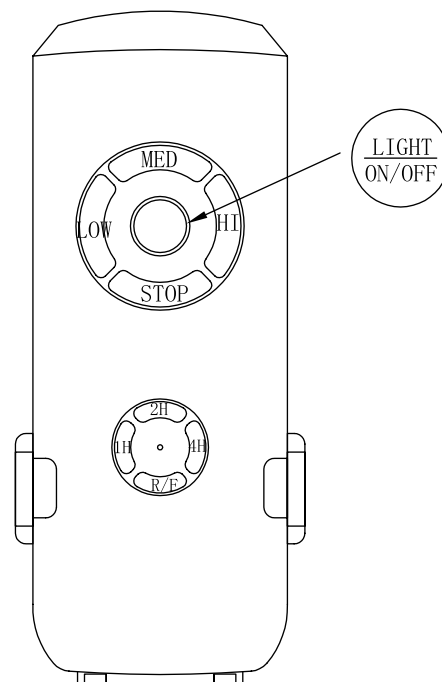
1. Press **LIGHT** on the remote control to turn on the LED light.
2. Hold **LIGHT** until the LED light turns off.
3. Hold **LIGHT** until the LED light turns on again with the next color temperature in order. Repeat these steps to cycle through the 3 color temperatures.

Remote Control Operation

Install the remote control holder onto any wall or suitable flat surface using two mounting screws/bolts. Upon first use, connect the remote control to its receiver in the fan by pressing **LIGHT** and **HI** on the remote control until a beep is heard. (Note that this programming cannot be done for the first 30 seconds after the receiver is turned on.)



Key	Function
LOW	Starts the fan at low speed
MED	Starts the fan at medium speed
HI	Starts the fan at high speed
STOP	Stops the fan
LIGHT	Turns the light on or off
1H	Runs the fan for 1 hour and then turns it off
2H	Runs the fan for 2 hours and then turns it off
4H	Runs the fan for 4 hours and then turns it off
R/F	Reverses the fan's direction



DO NOT press **R/F** while the fan is turning. Wait for it to stop completely before changing the direction of its rotation.

This remote operates with a range of 30 feet (10 m). It uses 2 1.5V AAA batteries (not included). If the remote will not be used for a prolonged period, it is recommended to remove the batteries for better service life.

Troubleshooting

Potential Problems	Common Solutions
Fan blades don't rotate	Check fuses and/or circuit breakers and reset if needed.
	Cut off power to the fan and check its internal electrical connections.
	Replace the remote control's batteries.
	Check that the fan cover is correctly placed and no screws interfere with the movement of the blades.
	Contact customer service to replace a faulty remote control.
Fan is too noisy	Check that all fasteners are well tightened.
	Ensure the canopy housing has a short distance between itself and the ceiling.
	Upon initial installation, allow 24 hours of use for the machine to break itself in.
	Cut off power to the fan and check that the wire nut connections are not rubbing against one another or the inner housing.
	If you have installed a solid-state variable-speed control, cut off power to the fan and disconnect this control from the device. See if using the remote resolves the problem, which can be caused by erratic signals from such controls.
Fan wobbles during use	Check that all fasteners are well tightened.
	Use the provided balance kit to adjust the blades if their tips are found to be an unequal distance from the ceiling while well fastened.
	Exchange the position of the various blades.

Again, do not bend the blades during any of these procedures.