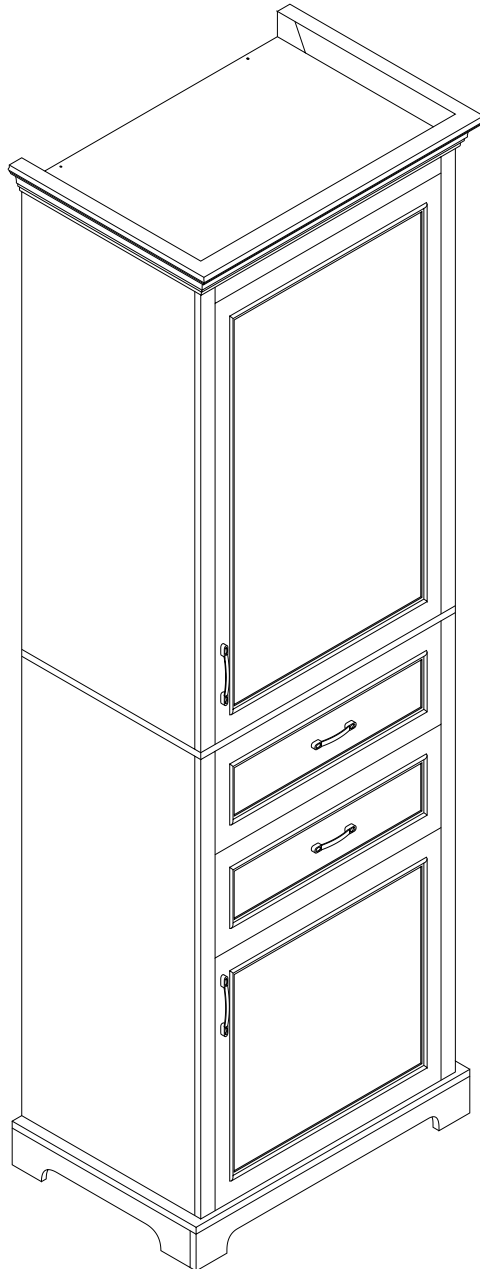


# Storage Cabinet

Assembly Instructions - Please keep for future reference



⚠	WARNING
	This product is NOT a Clothing Storage Unit (CSU). DO NOT use it for clothing storage. Improper use may cause furniture tipover.

Important – Please read these instructions fully before starting assembly



# Safety and Care Advice

**Important – Please read these instructions fully before starting assembly**

- Check you have all the components and tools listed on the following pages.
- Remove all fittings from the plastic bags and separate them into their groups.
- Keep children and animals away from the work area, small parts could choke if swallowed.
- Make sure you have enough space to layout the parts before starting.

- During assembly do not stand or put weight on the product, this could cause damage.
- Assemble the item as close to its final position (in the same room) as possible.
- Assemble on a soft level surface to avoid damaging the unit or your floor.
- Parts of the assembly will be easier with 2 people.



power drill is set on a low torque setting.

- To reduce the likelihood of damaging your product please ensure that your

## Care and maintenance

- Only clean using a damp cloth and mild detergent, do not use bleach or abrasive cleaners.
- From time to time check that there are no loose screws on this unit.
- This product should not be discarded with household waste. Take to your local authority waste disposal centre.

## Handy Hints

- Assemble all parts and bolts loosely during assembly, only once the product is complete should you fully tighten the bolts
- Regularly check and ensure That all bolts and fittings are tightened properly.

**WARNING**  
**In order to help prevent overturning – please follow these instructions**

To help prevent product toppling over please follow the below steps:-

- Use the anti tip stap or wall fixing method provided (if applicable)
- Do not allow children to climb or hang on the furniture
- Do not open more than one drawer at a time
- Do not place heavy items in the top drawers
- Do not place heavy items on top of the furniture, unless the furniture has been designed for this purpose

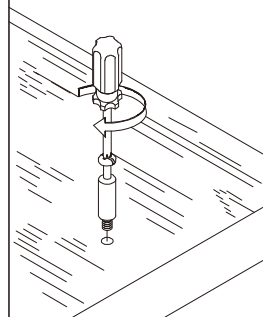
# Using Camlocks

## Step 1

Connect the male camlock as directed in the assembly instructions using a screwdriver.

1

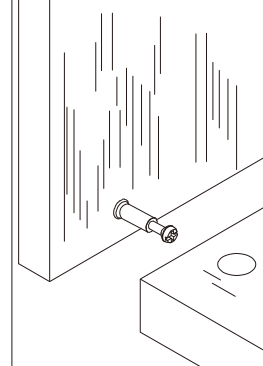
DO NOT OVER TIGHTEN.  
NE PAS SERRER EXCESSIVEMENT.



## Step 2

Push the male camlock into the entry hole.

2

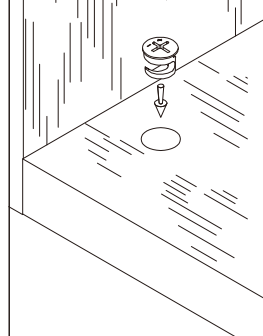


## Step 3

Insert the female camlock as shown in the instruction.

Note : ensure that the arrow on the top of the camlock points towards the entry hole for the male camlock.

3



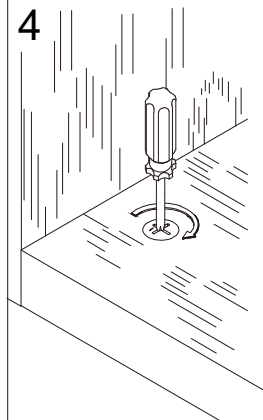
## Step 4

Turn the female camlock clockwise with a screwdriver.

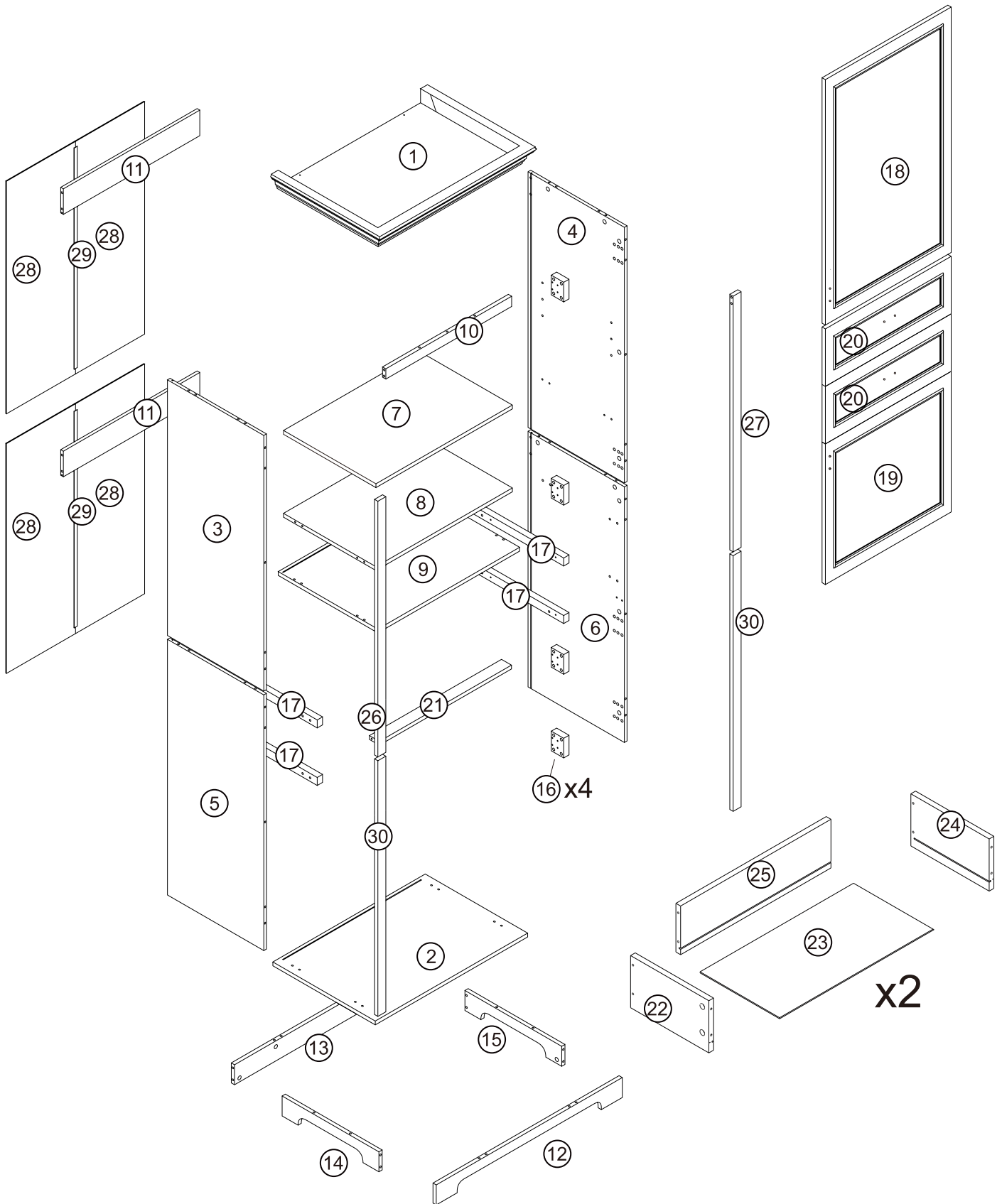
You should feel a click when the camlock is locked in place.

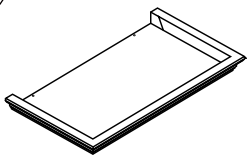
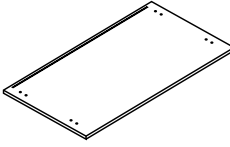

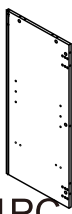
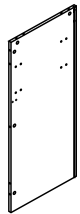
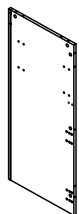
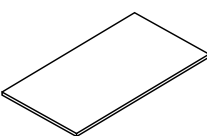
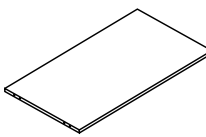
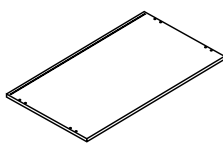
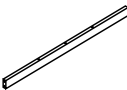
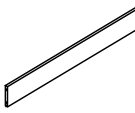
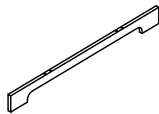
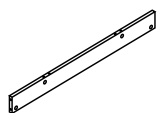
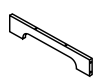
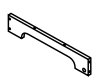
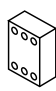
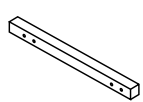
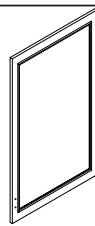
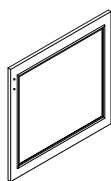
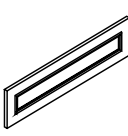
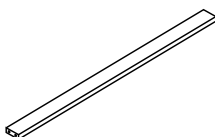
The joint is now secure.

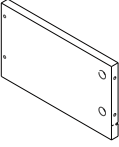
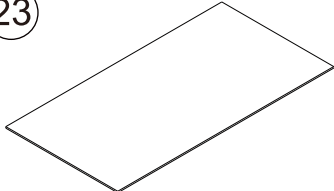
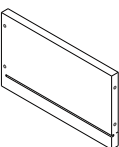
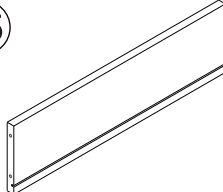


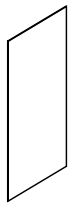


4



# Assembly Instruction



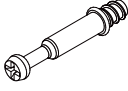
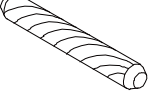
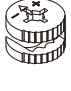
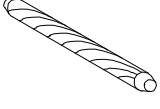
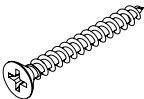




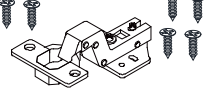

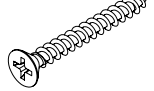
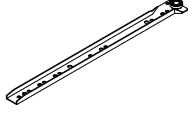
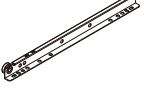

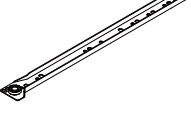
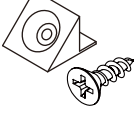

<p>①</p>  <p>1PC</p>	<p>②</p>  <p>1PC</p>	<p>③</p>  <p>1PC</p>
<p>④</p>  <p>1PC</p>	<p>⑤</p>  <p>1PC</p>	<p>⑥</p>  <p>1PC</p>
<p>⑦</p>  <p>1PC</p>	<p>⑧</p>  <p>1PC</p>	<p>⑨</p>  <p>1PC</p>
<p>⑩</p>  <p>1PC</p>	<p>⑪</p>  <p>2PCS</p>	<p>⑫</p>  <p>1PC</p>
<p>⑬</p>  <p>1PC</p>	<p>⑭</p>  <p>1PC</p>	<p>⑮</p>  <p>1PC</p>
<p>⑯</p>  <p>4PCS</p>	<p>⑰</p>  <p>4PCS</p>	<p>⑱</p>  <p>1PC</p>
<p>⑲</p>  <p>1PC</p>	<p>⑳</p>  <p>2PCS</p>	<p>㉑</p>  <p>1PC</p>

<p>22</p>  <p>2PCS</p>	<p>23</p>  <p>2PCS</p>	<p>24</p>  <p>2PCS</p>
<p>25</p>  <p>2PCS</p>	<p>26</p>  <p>1PC</p>	<p>27</p>  <p>1PC</p>
<p>28</p>  <p>4PCS</p>	<p>29</p>  <p>2PCS</p>	<p>30</p>  <p>2PCS</p>

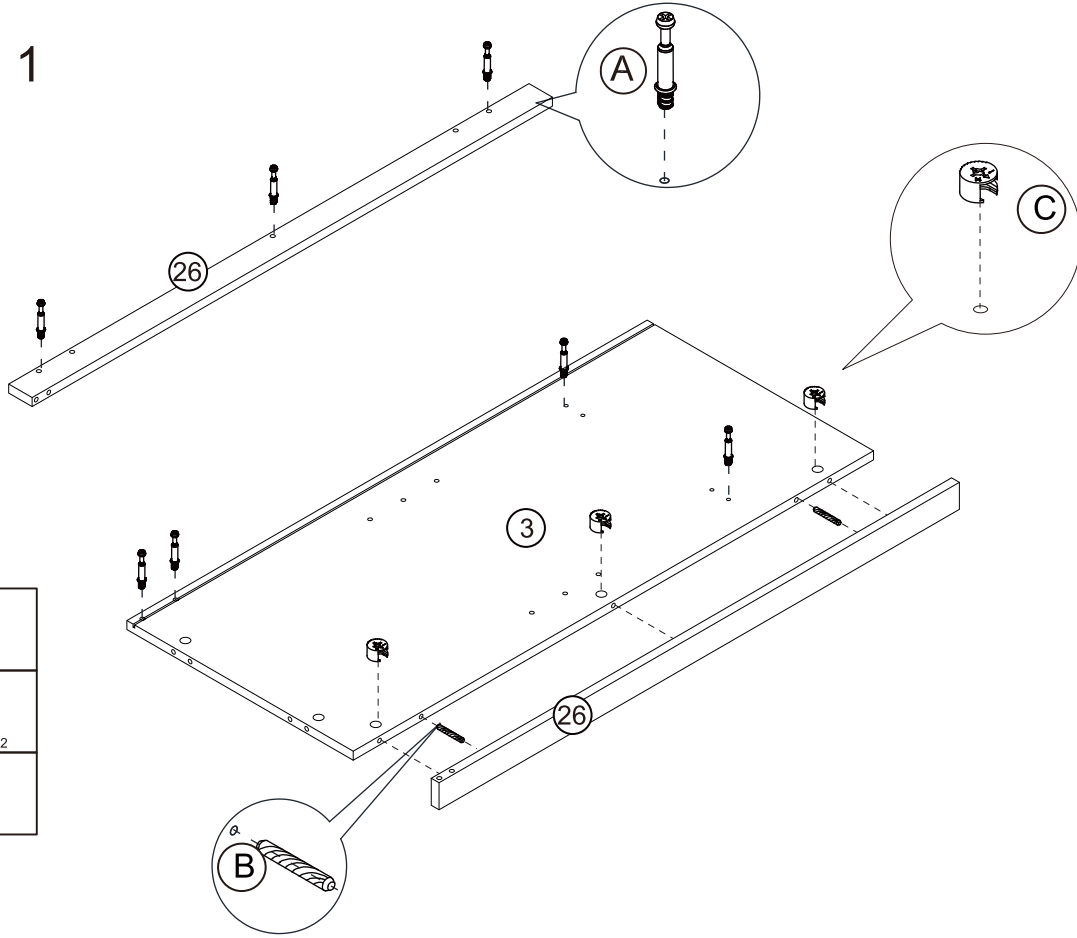
# Components - Fittings

Please check you have all the panels listed below

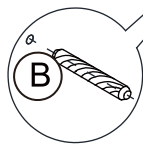
Note: The quantities below are the correct amount to complete the assembly. In some cases, more fittings may be supplied than required.

<p>(A)  Cam Bolt x 48</p>	<p>(B)  6*30mm Dowel x 49</p>	<p>(C)  Cam lock x 48</p>	<p>(E)  6*50mm Dowel x 4</p>
<p>(F)  5*40mm Screw x 10</p>	<p>(G)  4*20mm Handle x 2SET</p>	<p>(H)  3*12mm Screw x 24</p>	<p>(I)  Anti-fall accessories x2</p>
<p>(J)  Shelf support pin x 4</p>	<p>(K)  4*14mm Straight bend hinge x 4set</p>	<p>(L)  4*10mm Handle x 2SET</p>	<p>(M)  4*30mm Screw x 36</p>
<p>(CR)  300mm runner x 2</p>	<p>(DR)  300mm runner x 2</p>	<p>(DL)  300mm runner x 2</p>	<p>(CL)  300mm runner x 2</p>
<p>(N)  3x16mm screw x 8</p>	<p>(O)  x 8</p>		

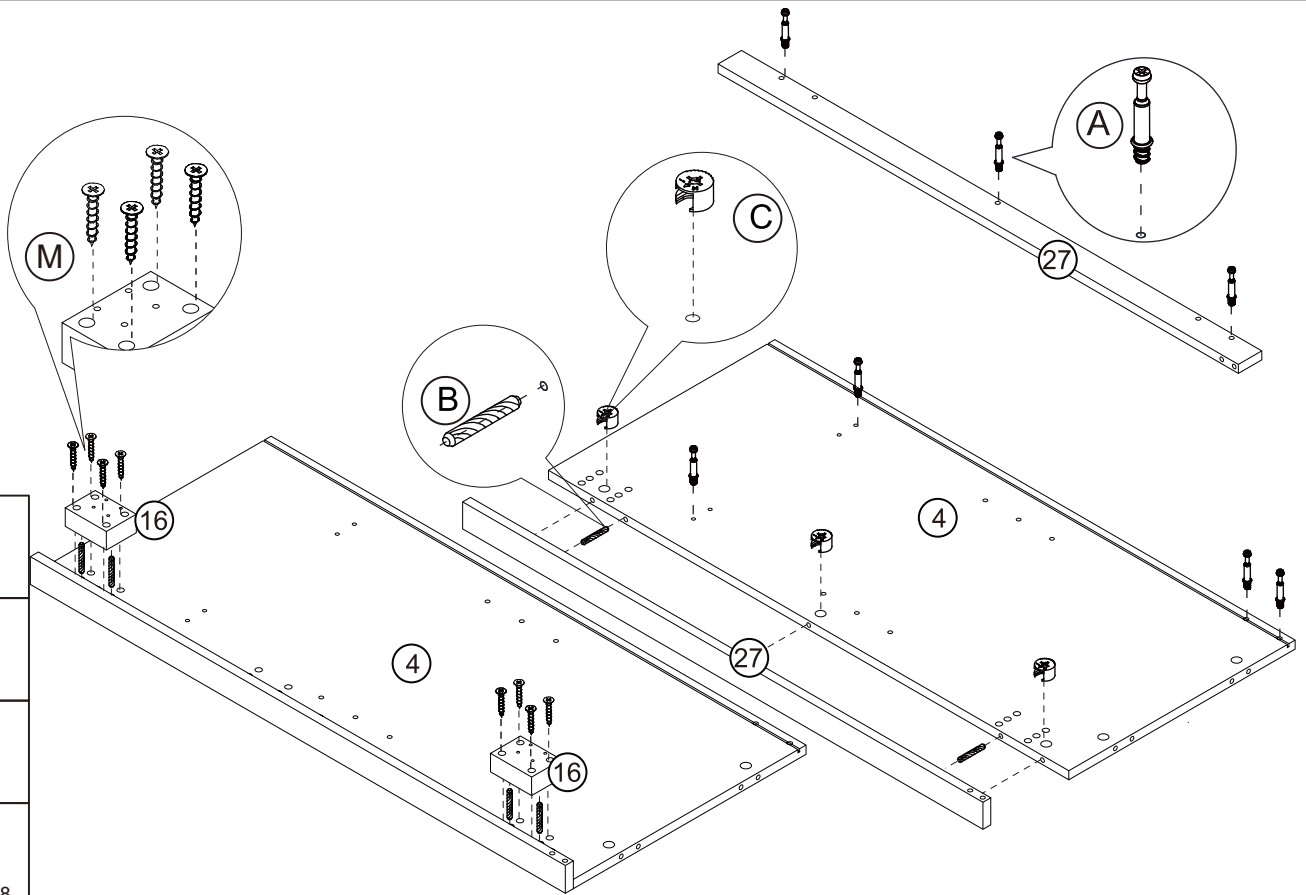
# Step 1



- (A) Cam Bolt x 7
- (B) 6\*30mm Dowel x 2
- (C) Cam lock x 3

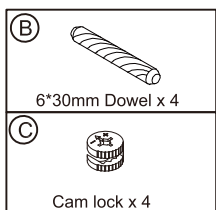
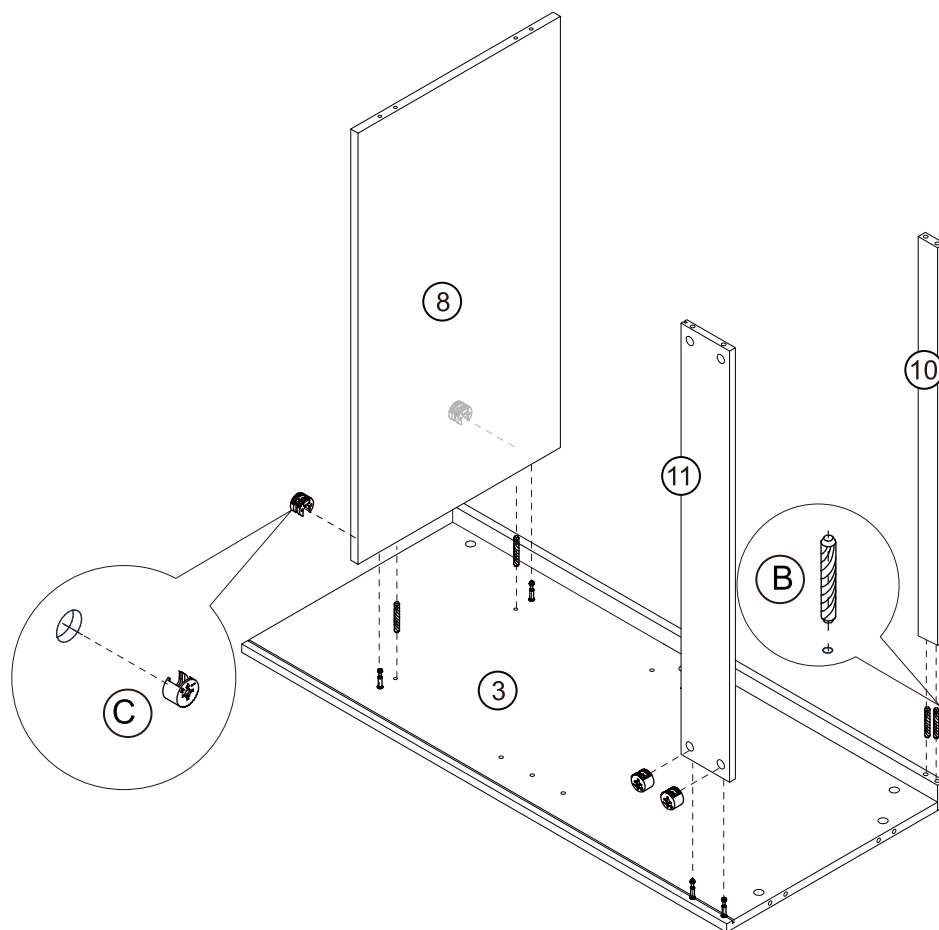


# Step 2

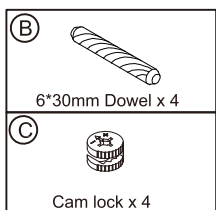
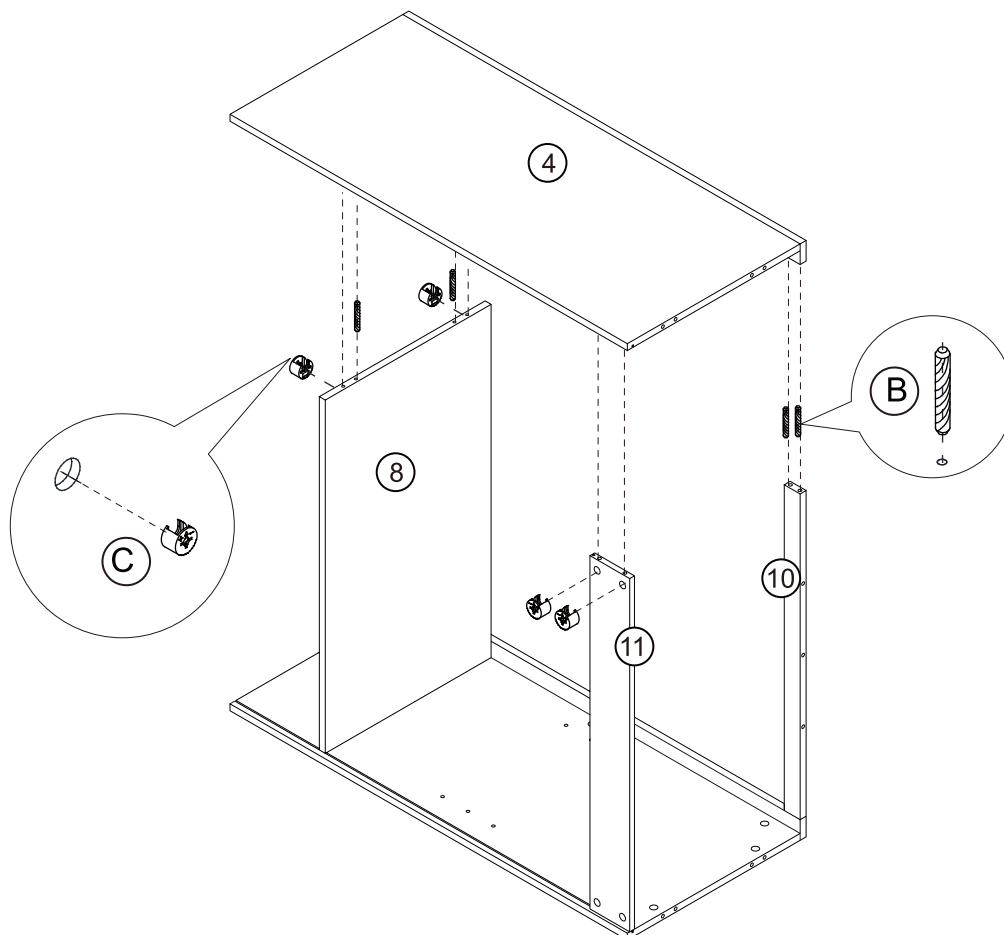


- (A) Cam Bolt x 7
- (B) 6\*30mm Dowel x 6
- (C) Cam lock x 3
- (M) 4\*30mm Screw x 8

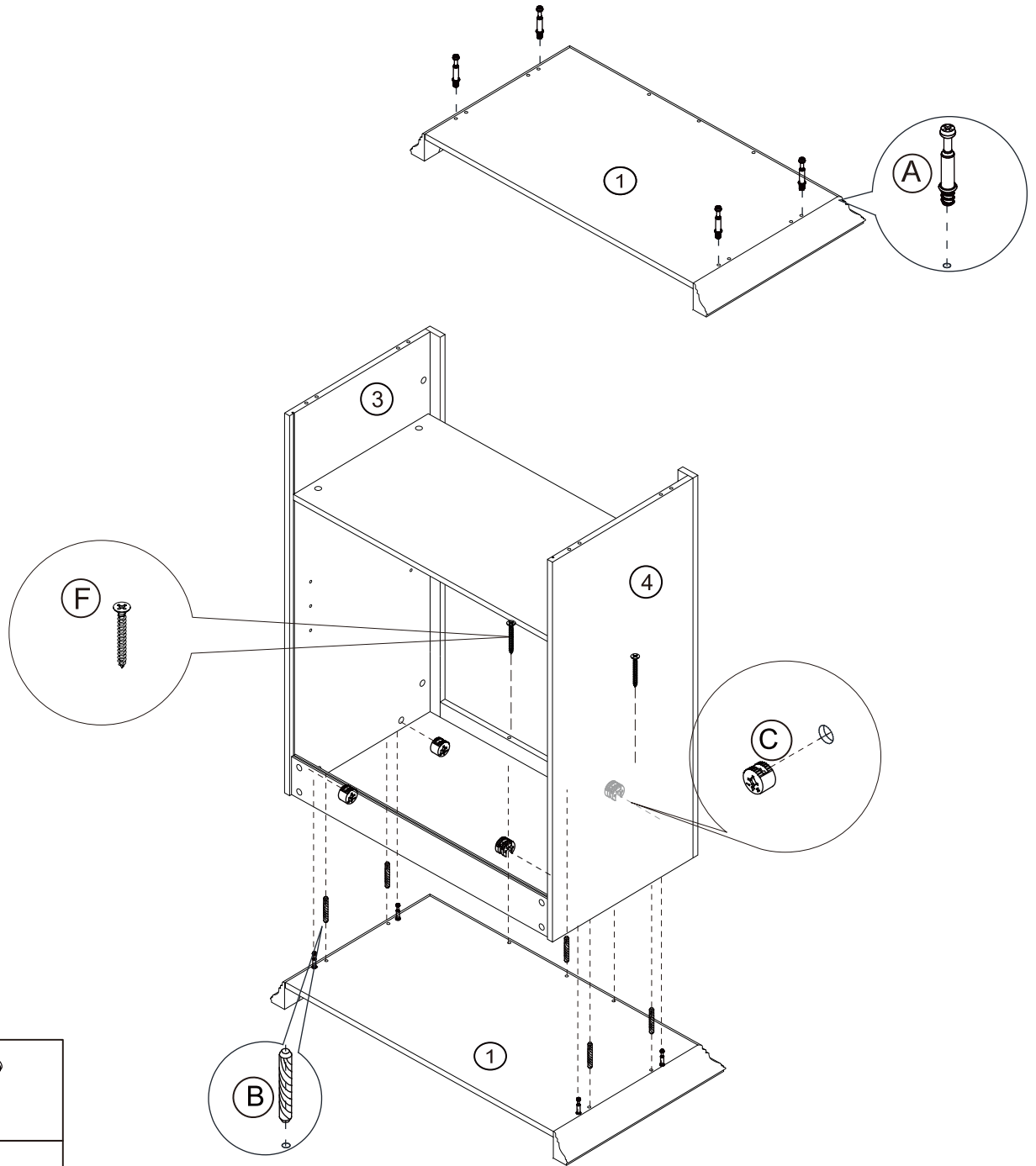
### Step 3


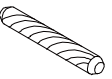

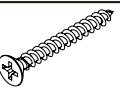


### Step 4

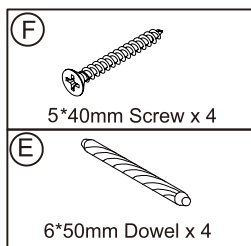
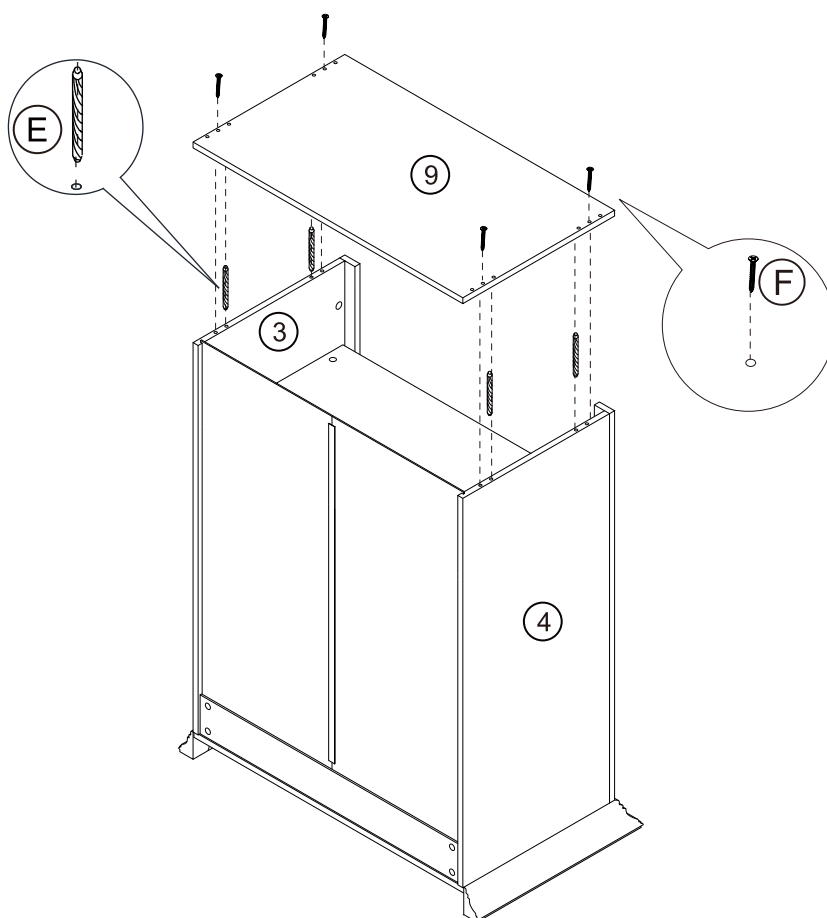
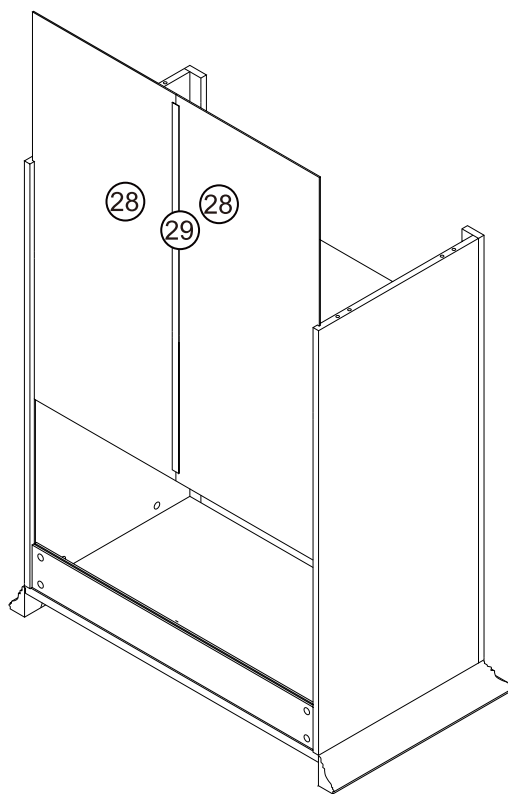


# Step 5

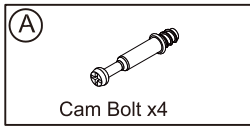
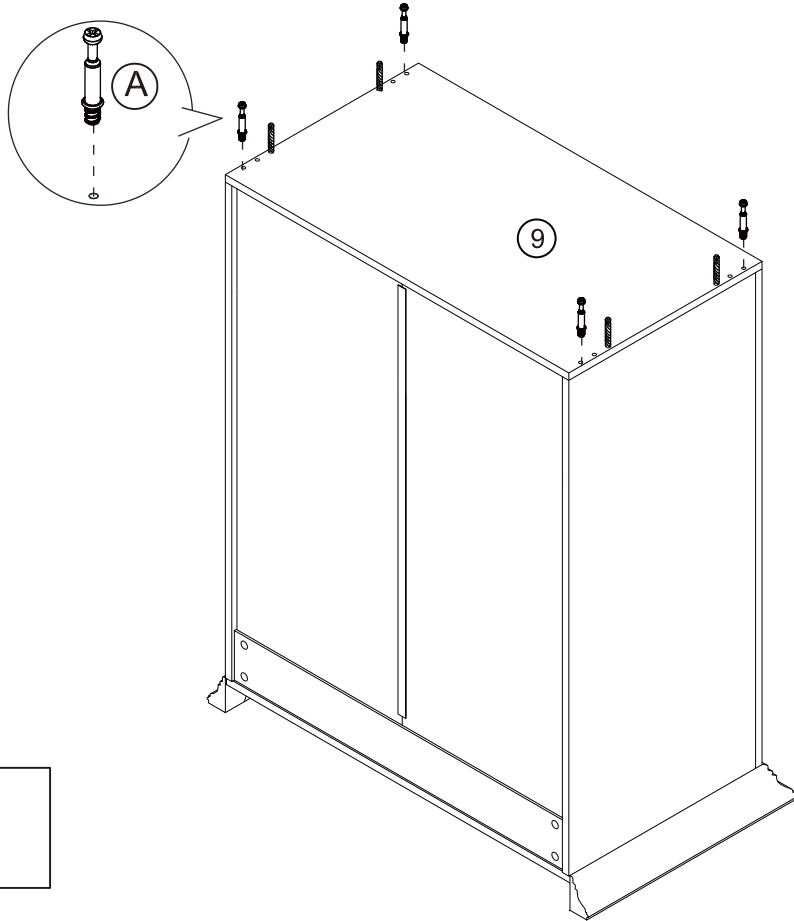


- |                  |   |
|------------------|---|
| (A)              |  |
| Cam Bolt x4      |   |
| (B)              |  |
| 6*30mm Dowel x 5 |   |
| (C)              |  |
| Cam lock x 4     |   |
| (F)              |  |
| 5*40mm Screw x 2 |   |

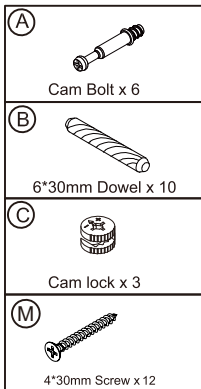
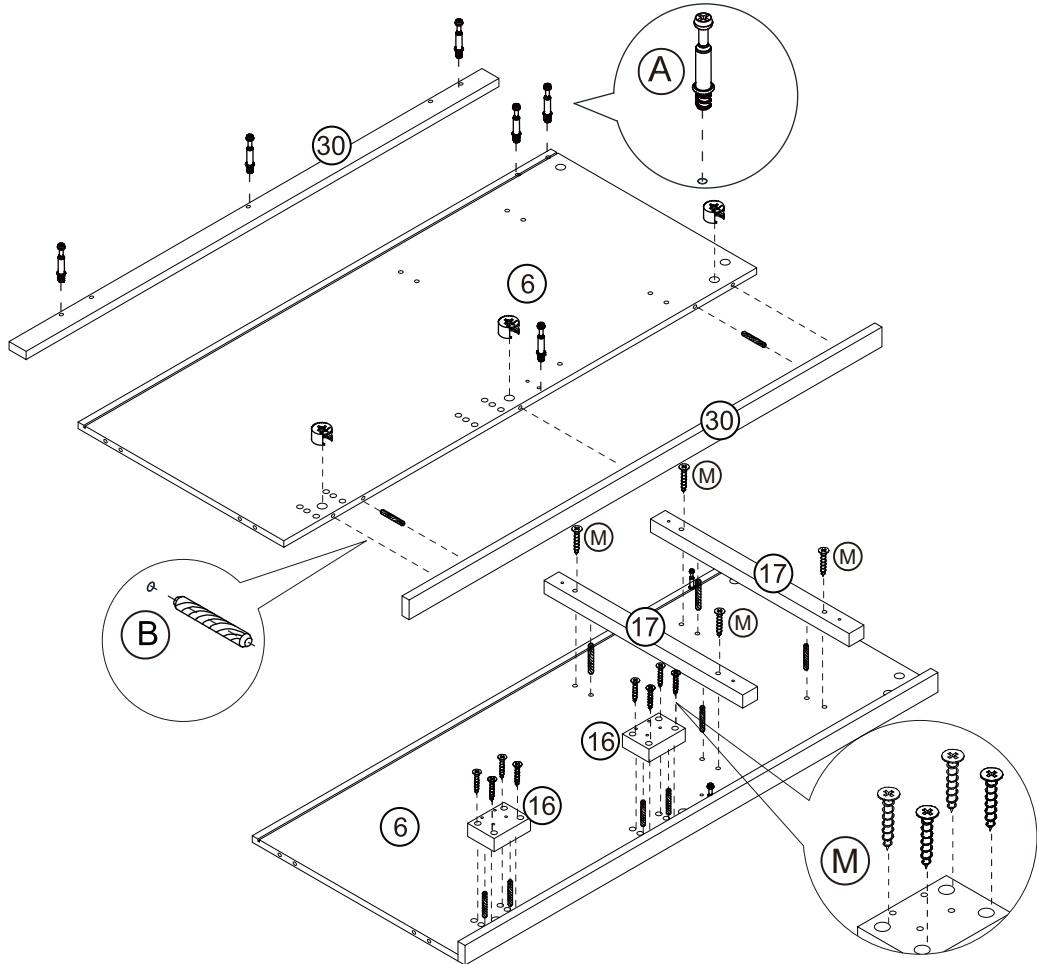
# Step 6



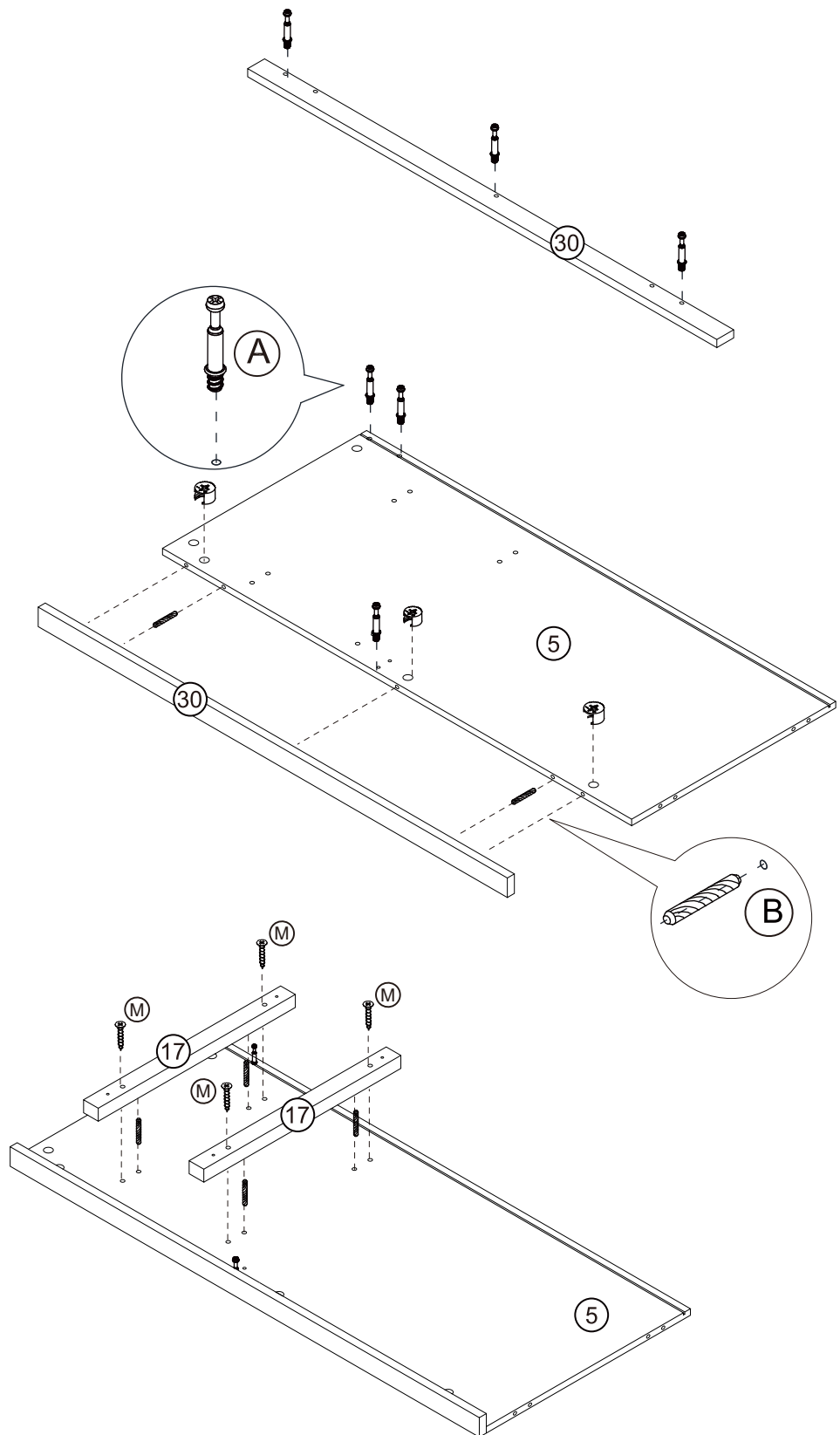
# Step 7


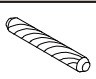




# Step 8

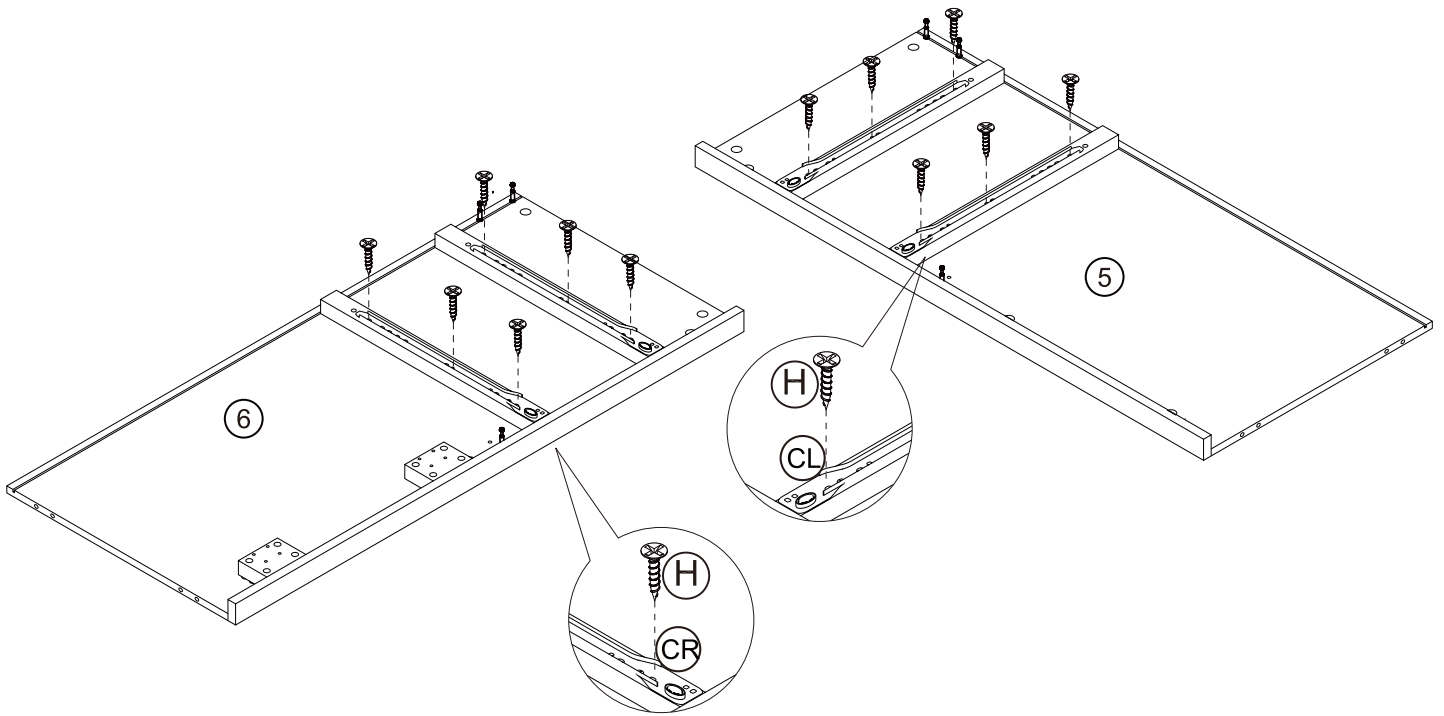
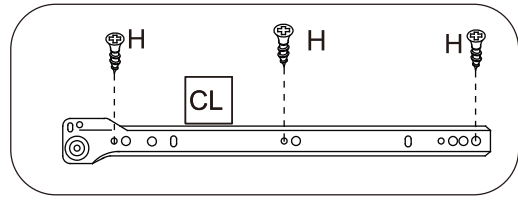
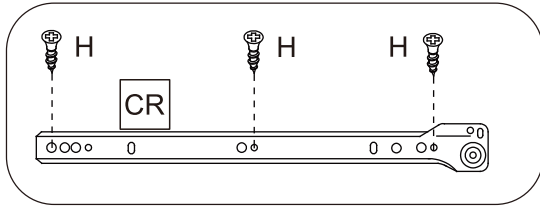


# Step 9

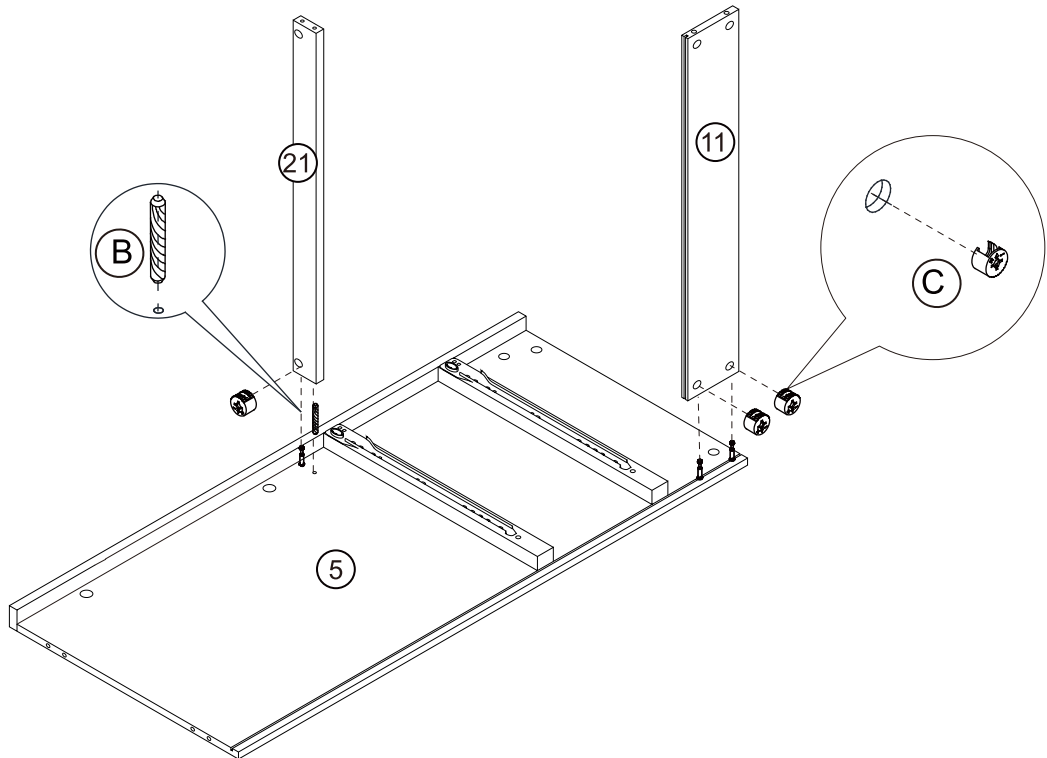


(A)	
Cam Bolt x 6	
(B)	
6*30mm Dowel x 4	
(C)	
Cam lock x 3	
(M)	
4*30mm Screw x 4	

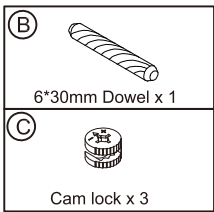
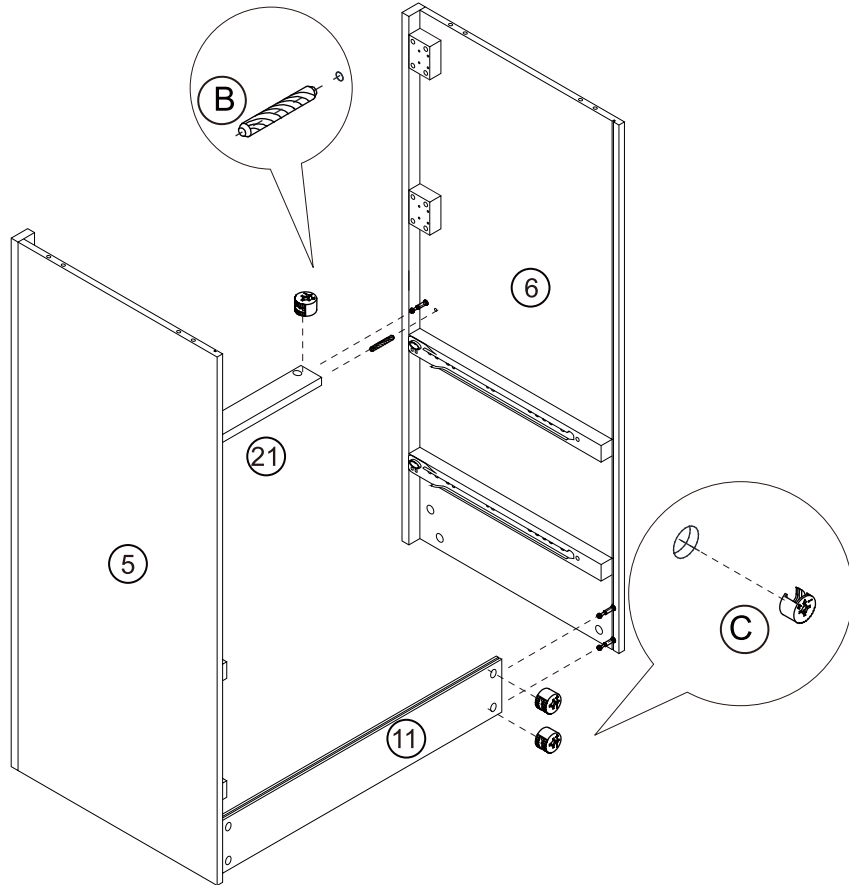
# Step 10



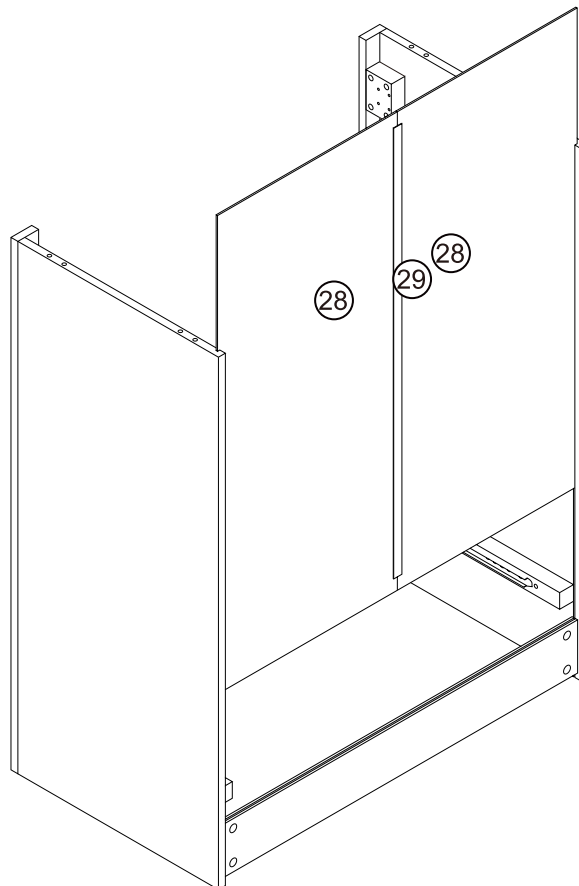
- |      |                   |
|------|-------------------|
| (H)  |                   |
|      | 3*12mm Screw x 12 |
| (CR) |                   |
|      | 300mm runner x 2  |
| (CR) |                   |
|      | 300mm runner x 2  |
| (B)  |                   |
|      | 6*30mm Dowel x 1  |
| (C)  |                   |
|      | Cam lock x 3      |



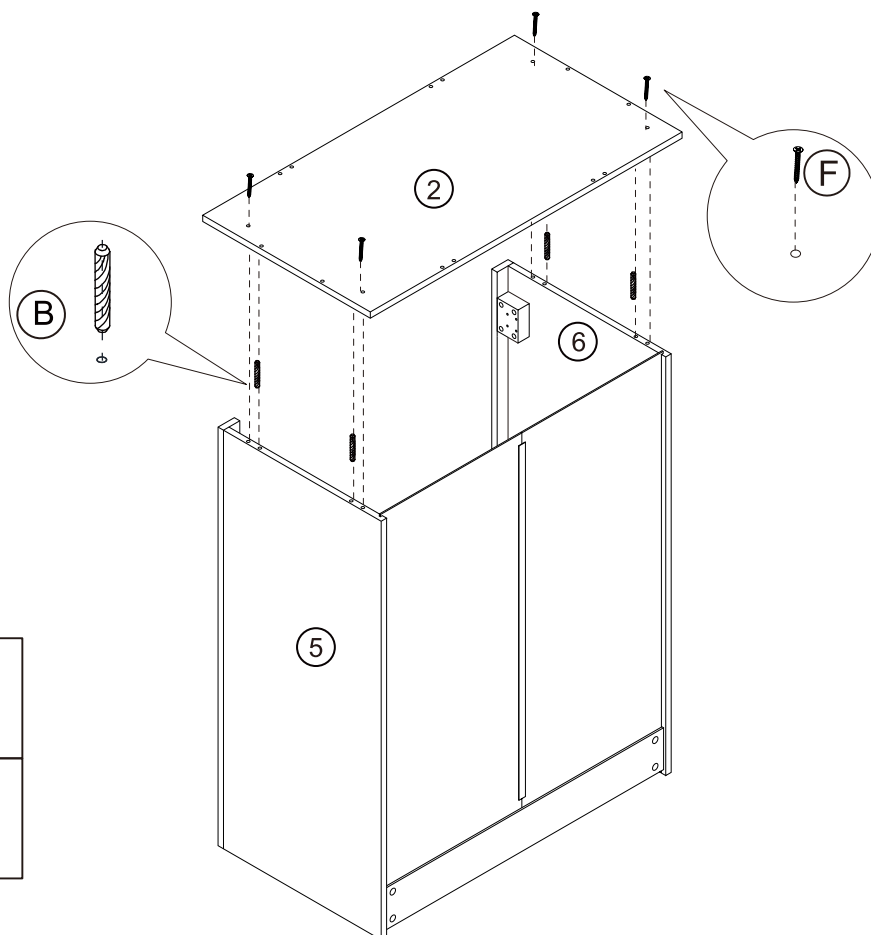
## Step 11



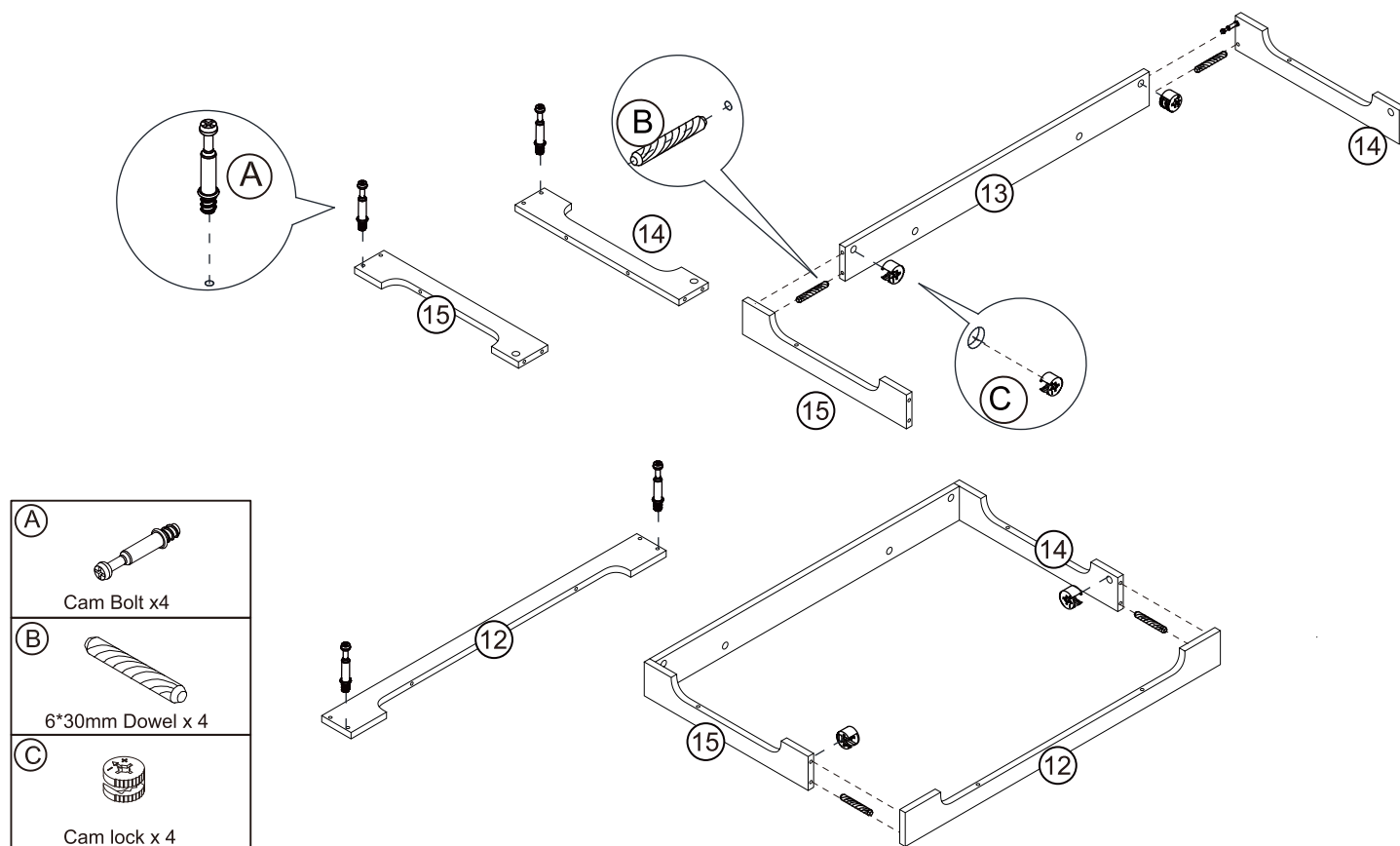
## Step 12



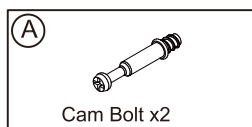
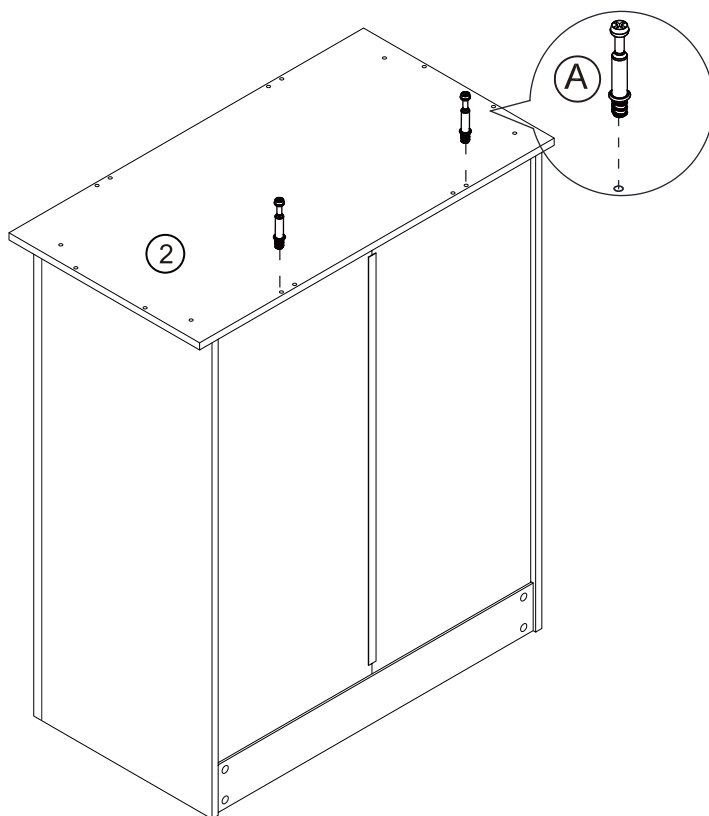
## Step 13



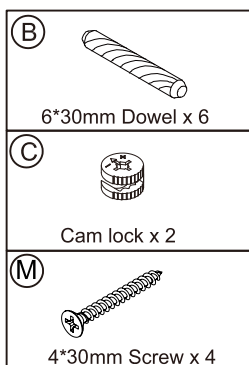
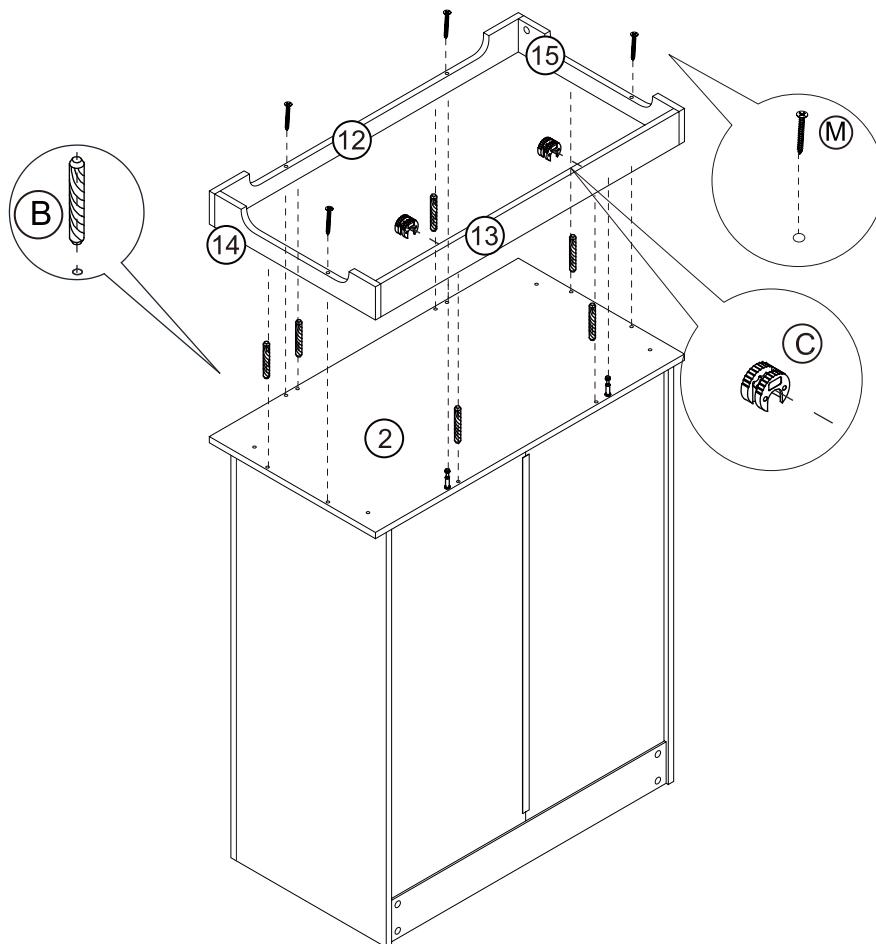
## Step 14



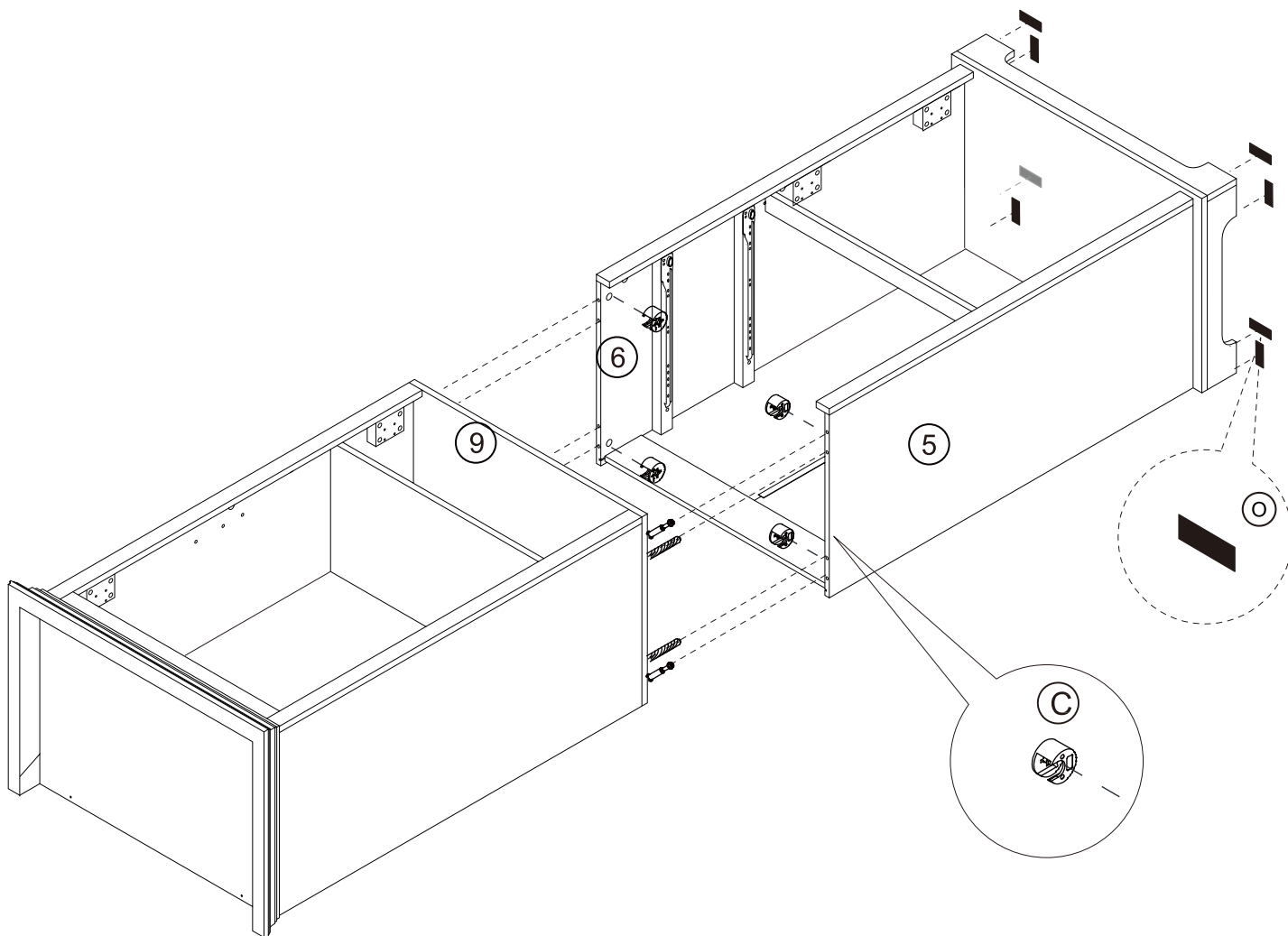
## Step 15







## Step 16

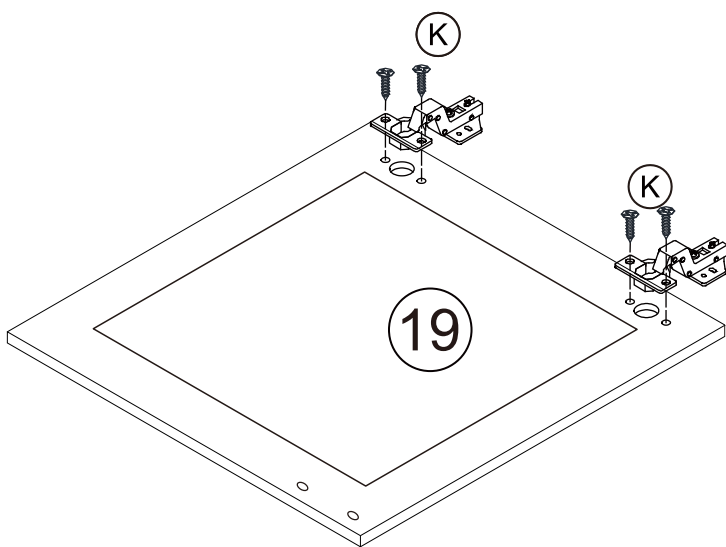
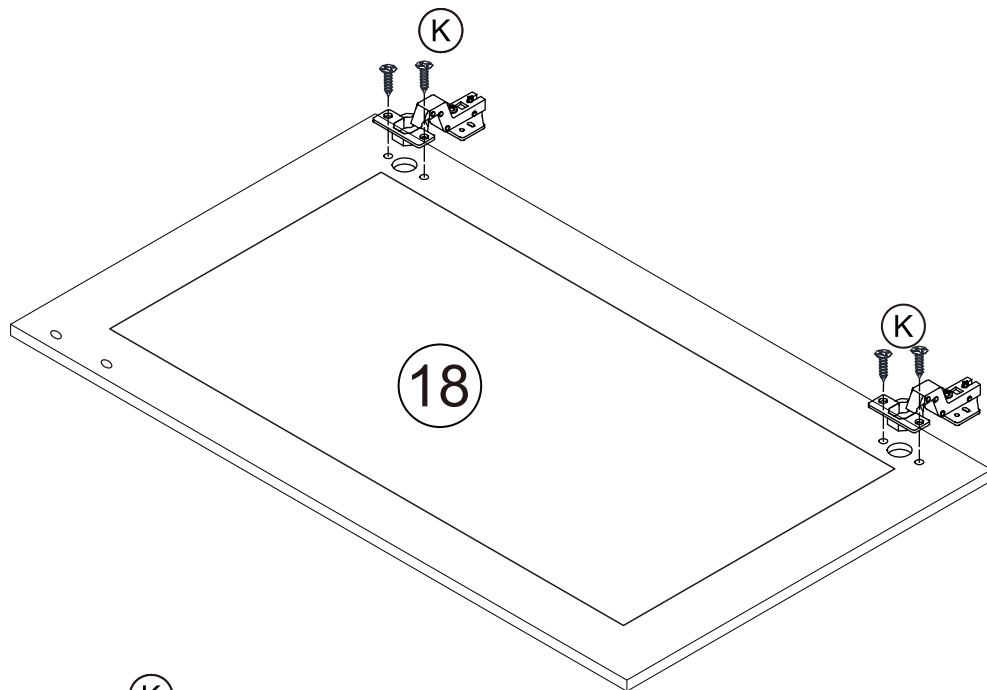


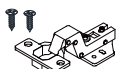
# Step 17



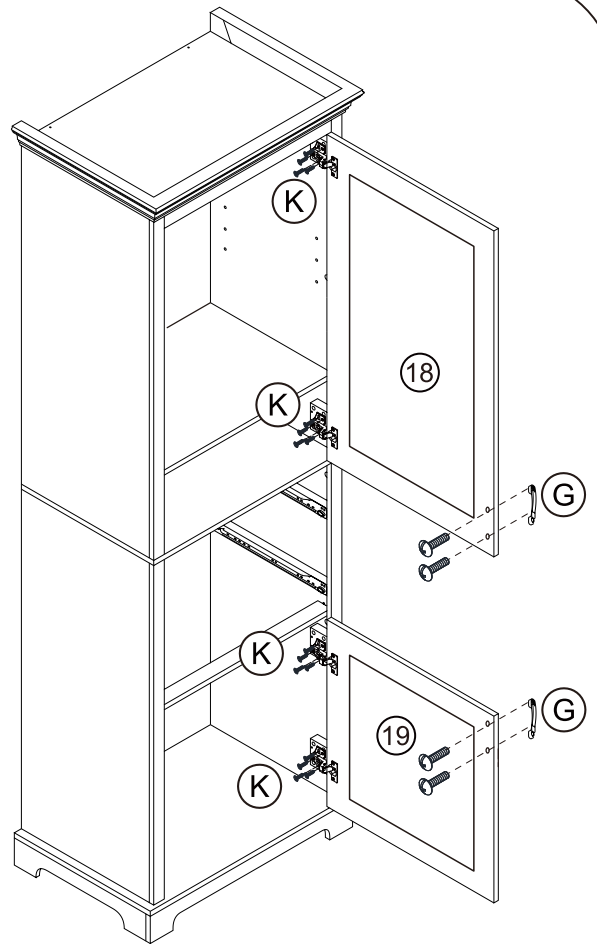
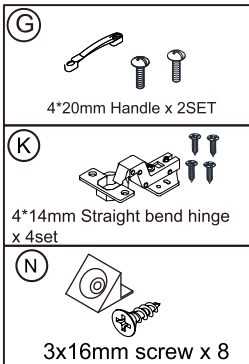
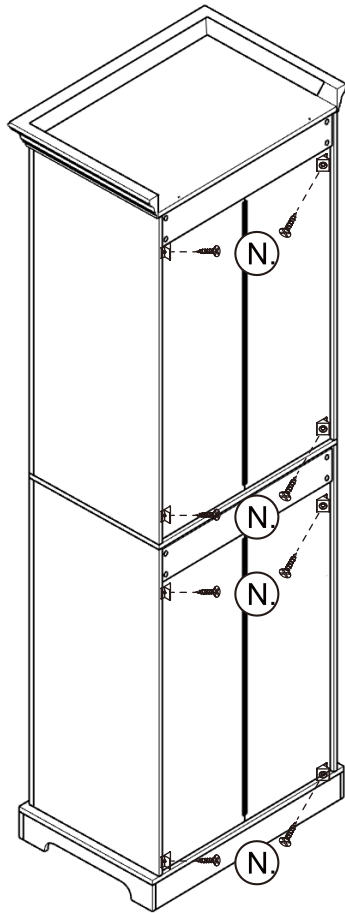
	
x 8	
	
Cam lock x 4	

# Step 18

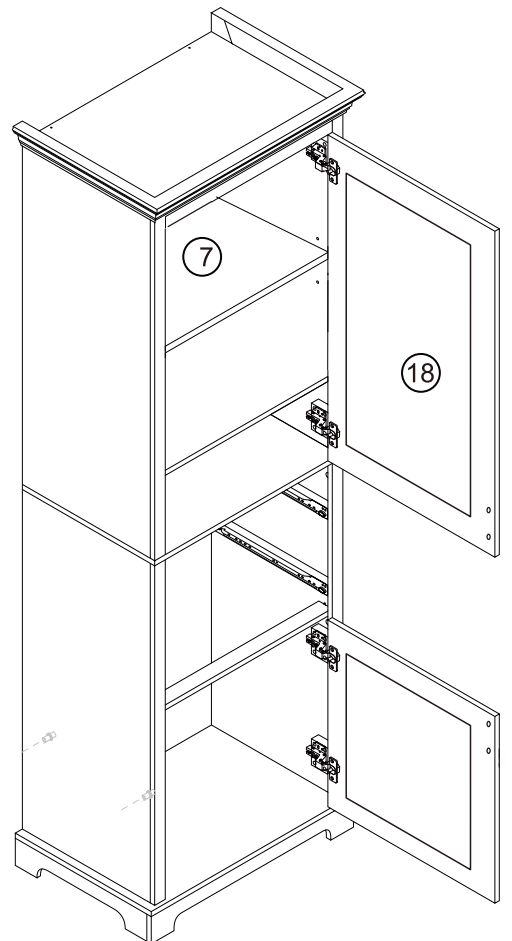
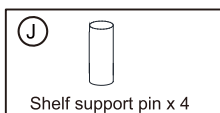
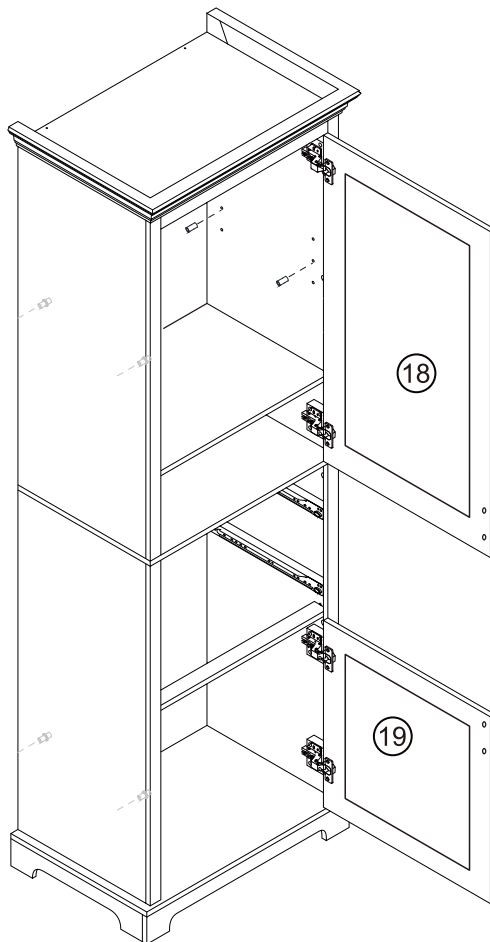


**(K)**   
4\*14mm Straight bend hinge  
x 4set

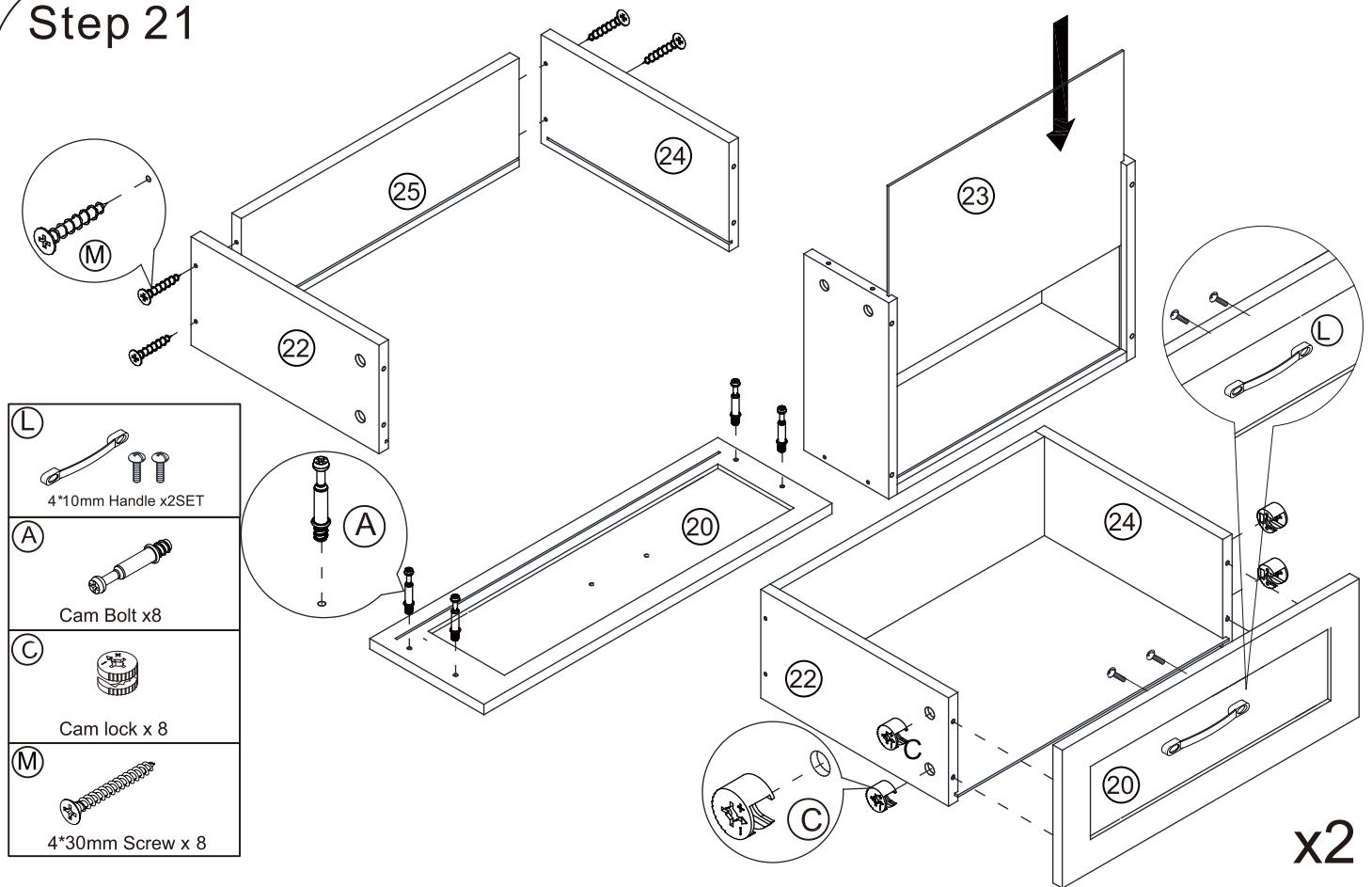
## Step 19



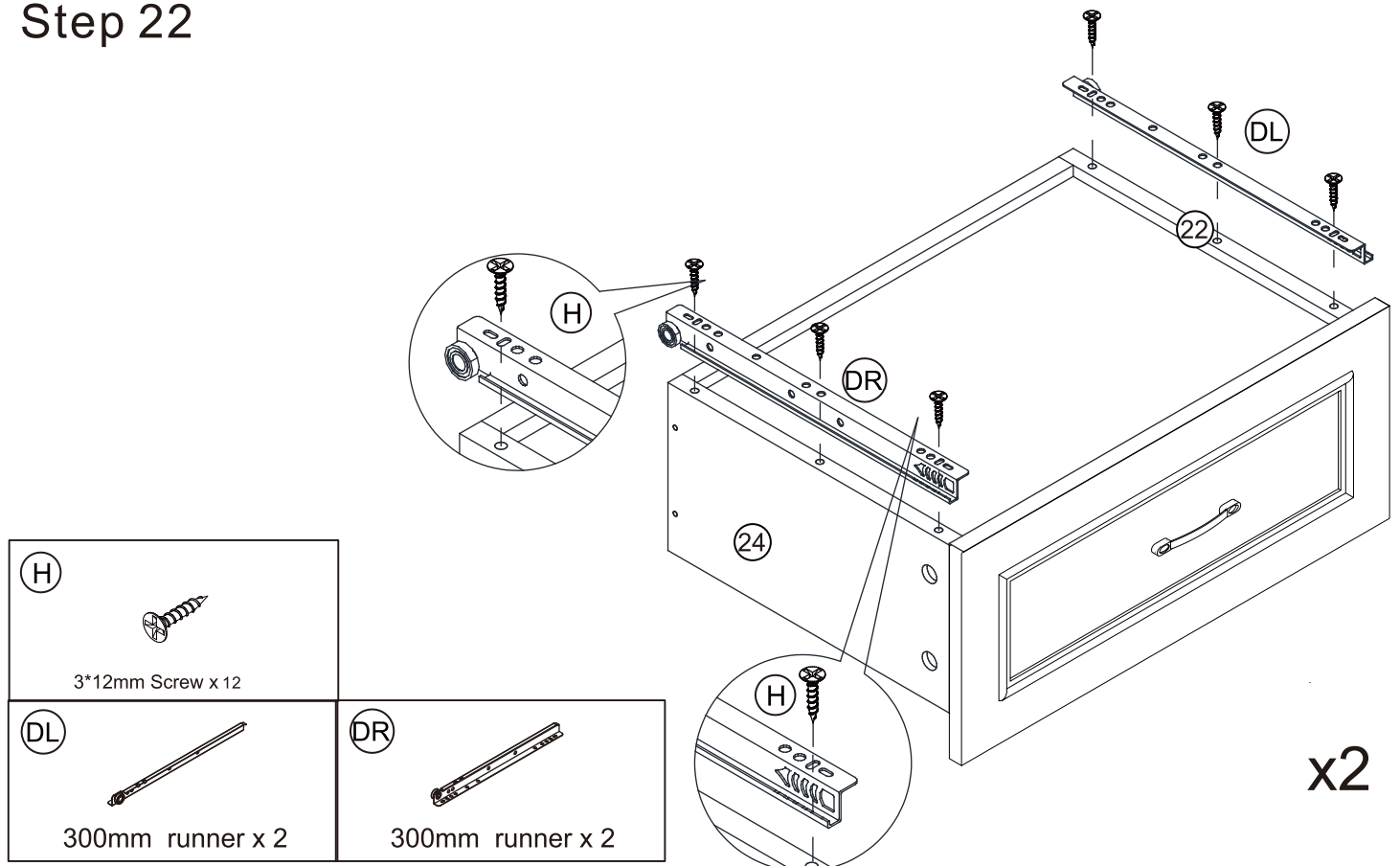
## Step 20



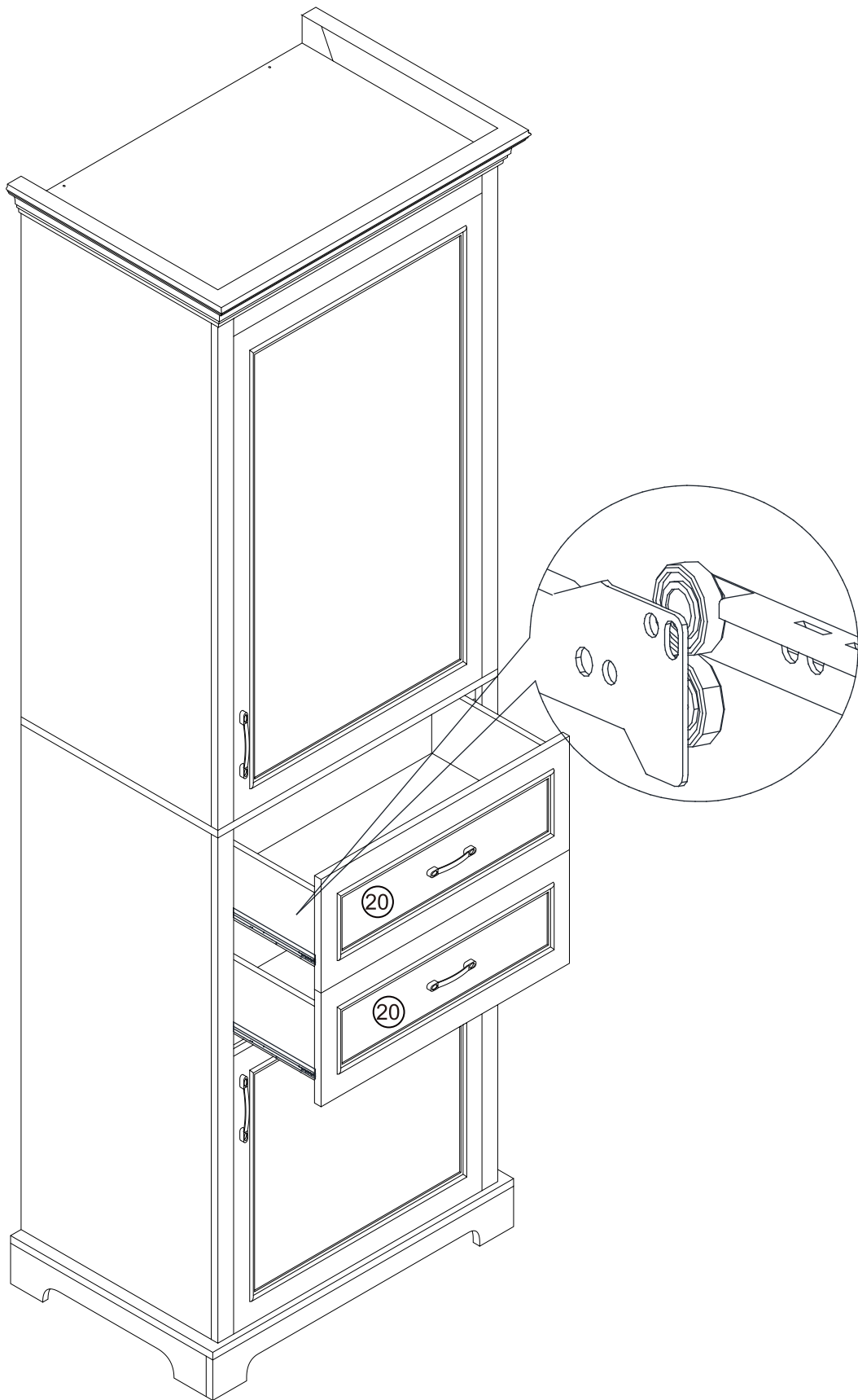
## Step 21



## Step 22



# Step 23



# Step 24

