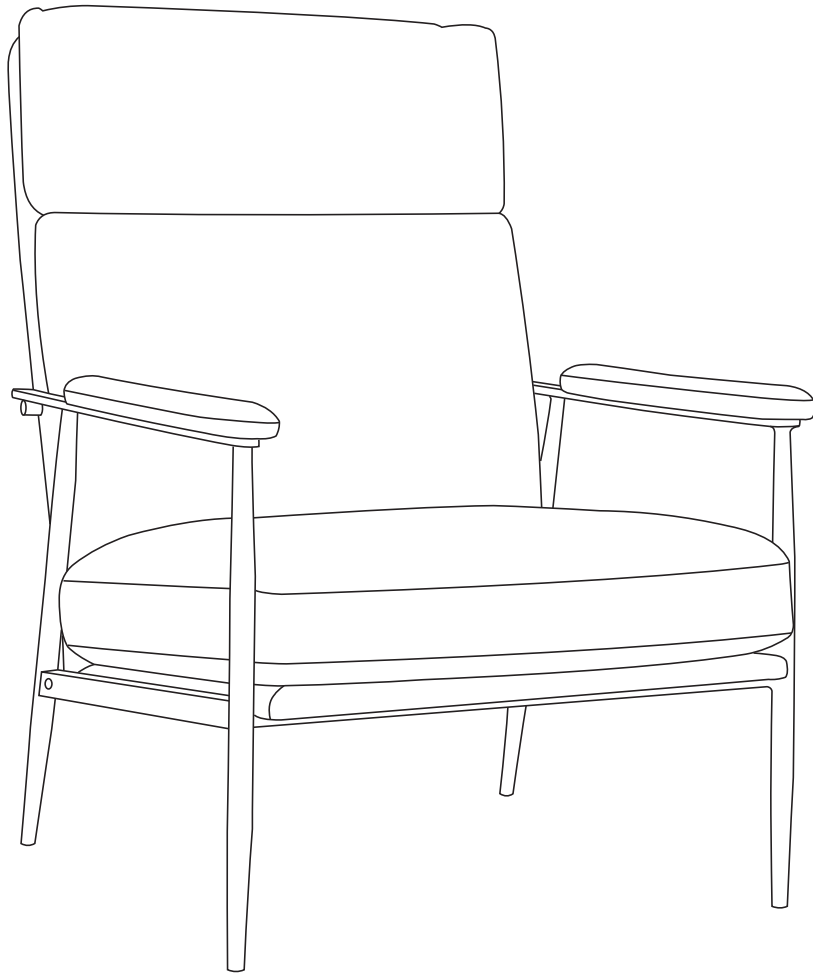


# ASSEMBLY INSTRUCTION

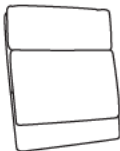
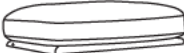



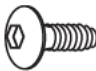
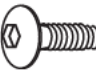

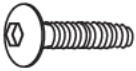


## ACCENT CHAIR



## PRE-ASSEMBLY PREPARATION

- **CAUTION:** Assembly will require at least 2 adults. DO NOT use power tools. Please inspect all items BEFORE assembly. If for any reason you need to return this item, please kindly return it in it's original packaging.
- **WARNING!**
  1. DO NOT let any sharp objects touch or rub the surface of the product.
  2. When assembling, do not let children play around the working area.
  3. DO NOT tighten all bolts and screws completely until the entire unit has been assembled and set up.
  4. DO NOT USE if this product become damaged, and/or components are broken or missing.
- **CARE AND CLEANING:** DO NOT scratch or chip the finish. DO NOT use abrasive chemicals for cleaning. Clean with mild soap on a soft rag. Rinse and dry thoroughly.
- **MAINTENANCE:** Please periodically check all fittings and re-tighten as necessary.

## PARTS LIST

Back Cushion (A)  Qty: 1	Seat Cushion (B)  Qty: 1	Left & Right Side Frame (C&D)  Qty: 1	Seat Frame(E)  Qty: 1
Arm Rest (F)  Qty: 1	Allen Bolt (G) M6x16mm  Qty: 4	Allen Bolt (H) M6x20mm  Qty: 4	Allen Bolt (I) M6x30mm  Qty: 6
Allen Bolt (J) M8X40mm  Qty: 2	Allen Bolt (K) M8X20mm  Qty: 2	Allen Wrench(L) M6  Qty: 4	

## STEP-BY-STEP ASSEMBLY

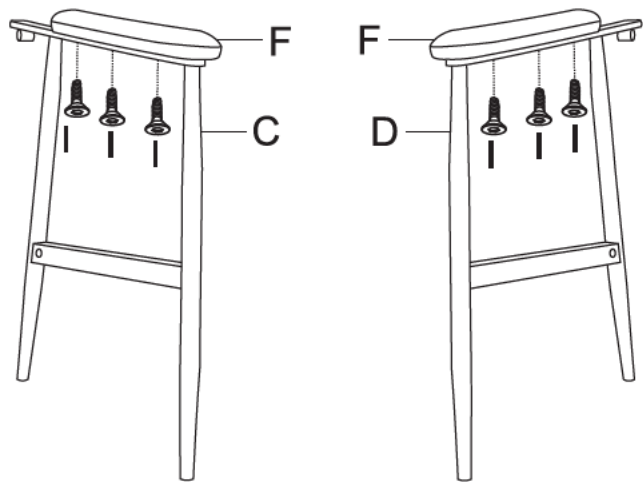
PLEASE CAREFULLY UNPACK AND IDENTIFY EACH COMPONENT BEFORE BEGINNING ASSEMBLY. BEFORE YOU BEGIN, PLEASE REFER TO PARTS LIST TO MAKE SURE THAT YOU HAVE ALL PARTS.

**STEP 1** Attach the Arm Rest(F) to the Side Frame(C&D) by using Allen Bolt (I) and Allen Wrench (L).

**Please 80% tighten the bolts.**

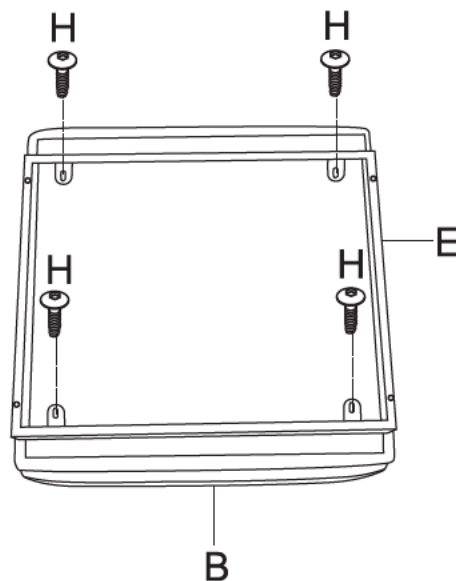
**The Arm Rest are universal.**

**Please observe the orientation marker at the base of the armrest to distinguish the front and rear.**

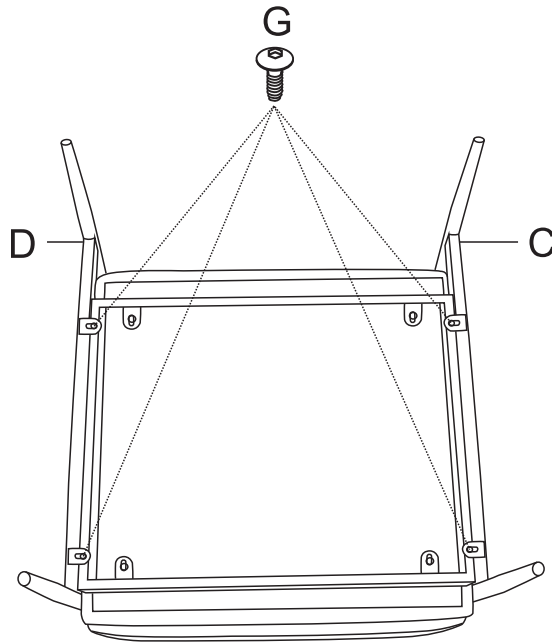


**STEP 2** Attach the Seat Frame(E) to the Seat Cushion(B) by using Allen Bolt (H) and Allen Wrench (L).

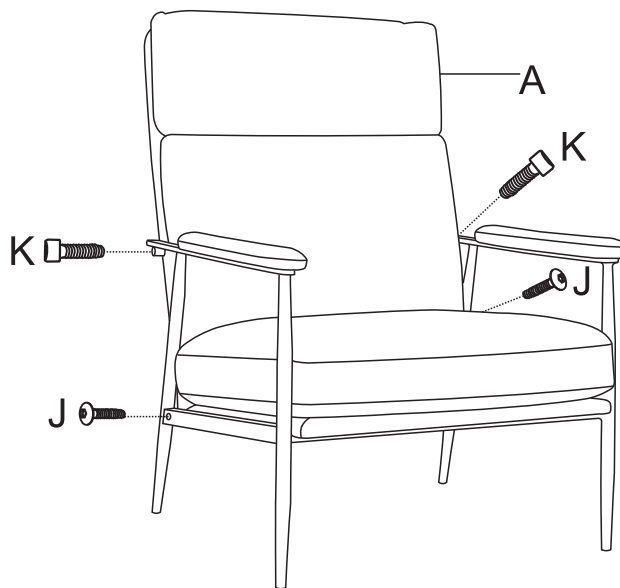
**Please 80% tighten the bolts.**



**STEP 3** Attach the Side Frame(C&D) to the Seat Frame(E) by using Allen Bolt (G) and Allen Wrench (L).  
**Please 80% tighten the bolts.**



**STEP 4** Attach the Back Cushion(A) to the Seat Cushion(B) by using Allen Bolt(K&J) and Allen Wrench (L).  
**Please 80% tighten the bolts.**



**STEP 5** Please 100% tighten all Allen Bolts (G,H,I) completely by using Allen Wrench (L) .  
After initial assembly, the product may acclimate to its new environment.  
**Please ensure all screws are still securely tightened.**

