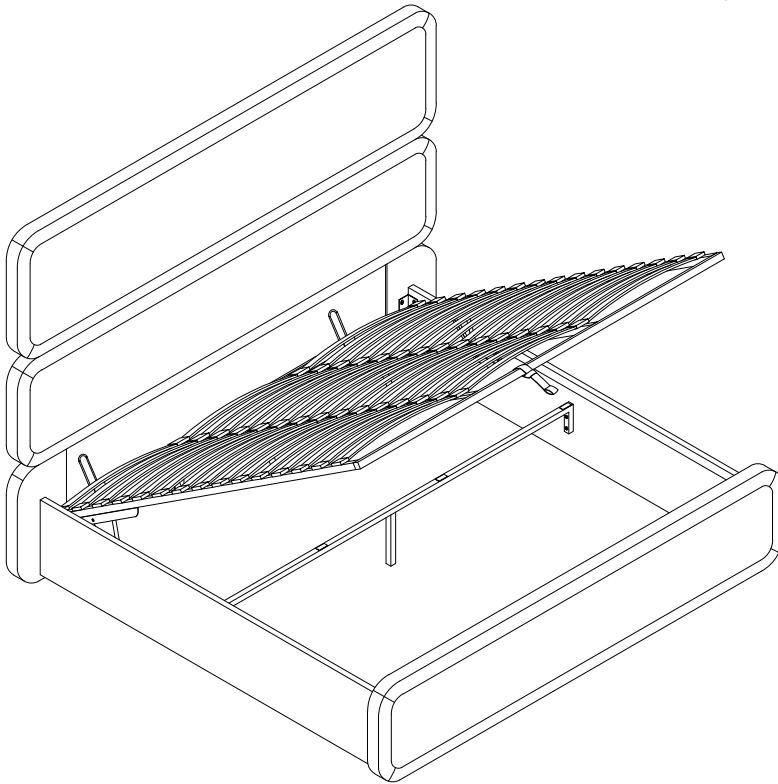


ASSEMBLY INSTRUCTION

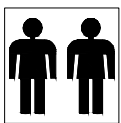
SIZE: King



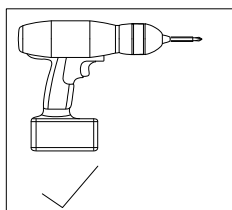
Please **TEAR OFF** this shrink film from side!
DO NOT USE CUTTER!

IMPORTANT NOTE

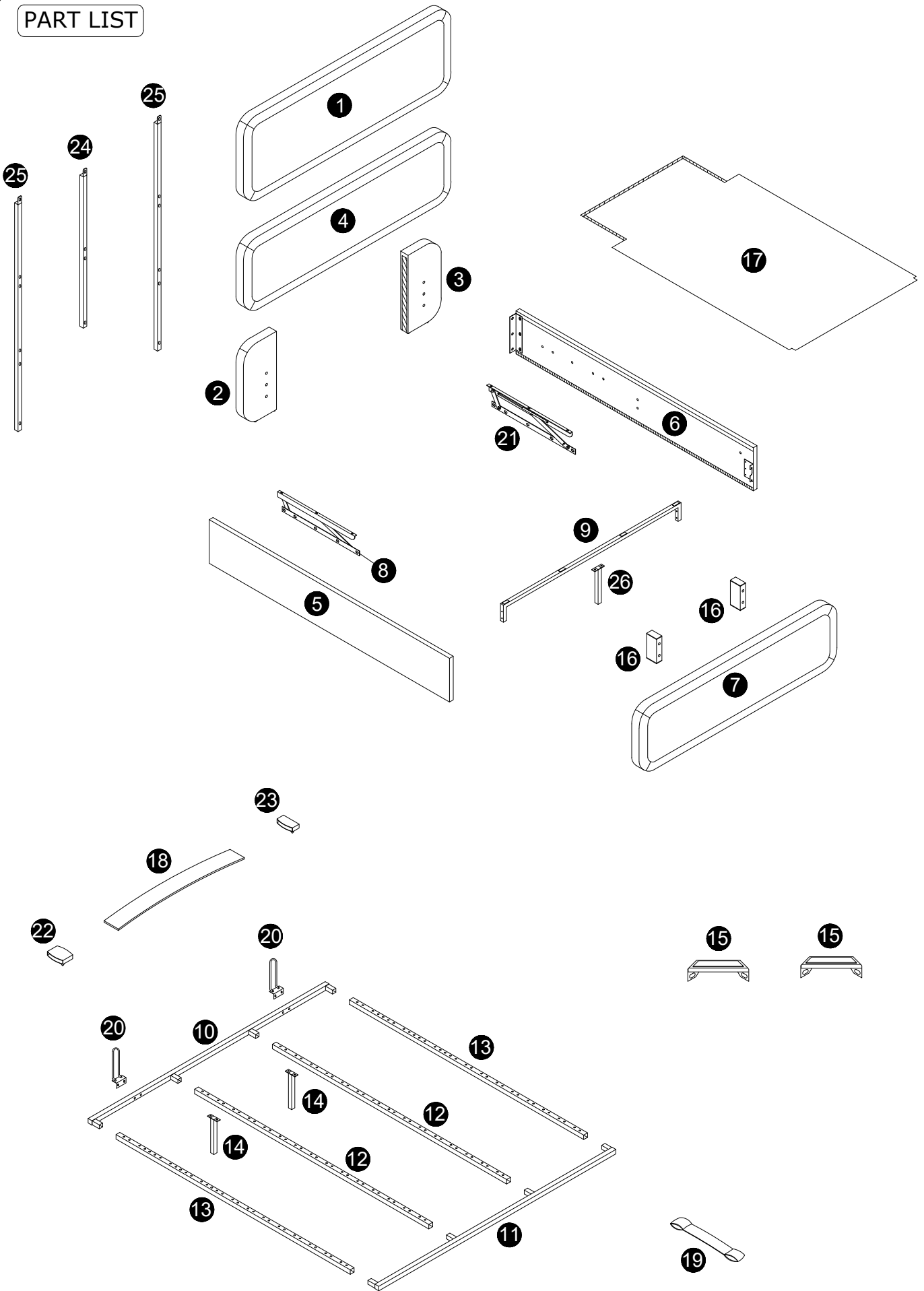
- 1. The product is shipped in two packages. Please check the number of packages received before assembly. If you are missing one package, receive a duplicate package, or have any assembly or after-sales issues, please contact us.**
2. For the protection of your furniture, place all parts on a clean and smooth surface to prevent any damage.
3. Keep fittings out of children's reach and keep children well away from construction area.
4. When moving your assembled bed, it is best to lift the bed and never to drag it.
5. Do not use this product if parts are missing, damaged or worn.
6. This product should only be used on firm, level ground.
7. Please periodically check all fittings and re-tighten as necessary.
8. Do not use the bed unless all bolts and screws are firmly secured.
9. For further assistance, please provide a screenshot of your order and contact us.



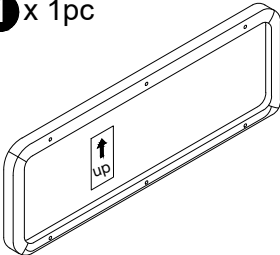
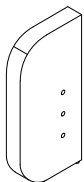

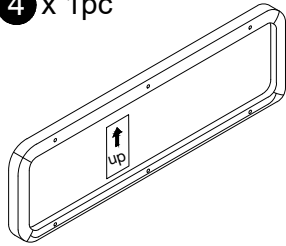
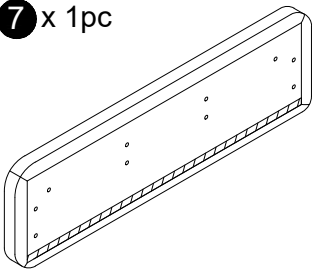
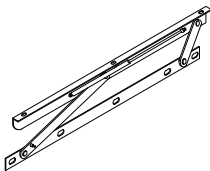
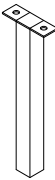
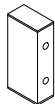
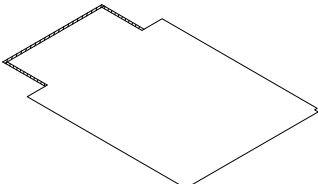
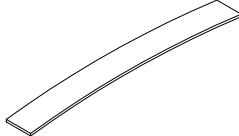
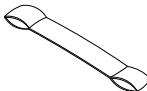
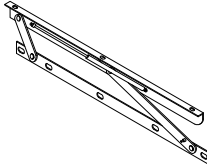
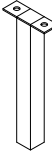
Minimum two
person assembly



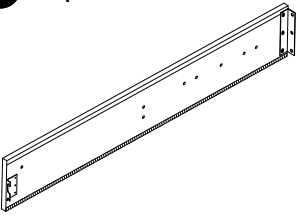
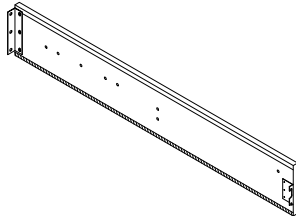
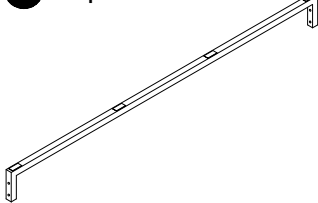
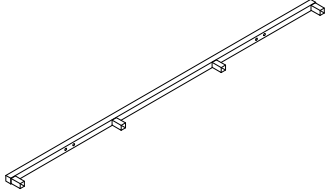
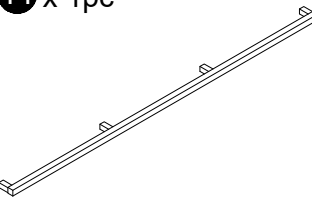
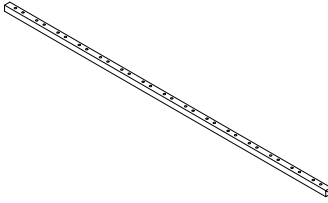
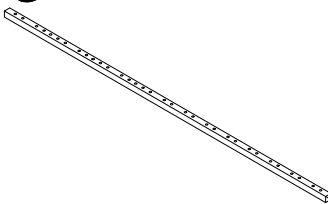

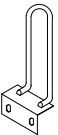
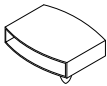
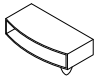
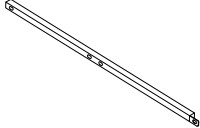
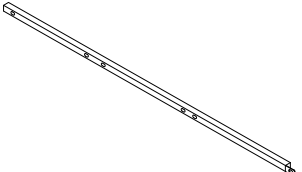
PART LIST



Components of Carton A

<p>1 x 1pc</p> 	<p>2 x 1pc</p> 	<p>3 x 1pc</p> 	<p>4 x 1pc</p> 	
<p>7 x 1pc</p> 	<p>8 x 1pc</p> 	<p>14 x 2pcs (25x230mm)</p> 	<p>16 x 2pcs</p> 	
<p>17 x 1pc</p> 	<p>18 x 45pcs</p> 	<p>19 x 1pc</p> 	<p>21 x 1pc</p> 	<p>26 x 1pc (25x205mm)</p> 








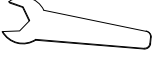

Components of Carton B

<p>5 x 1pc</p> 	<p>6 x 1pc</p> 	<p>9 x 1pc</p> 	<p>10 x 1pc</p> 
<p>11 x 1pc</p> 	<p>12 x 2pcs</p> 	<p>13 x 2pcs</p> 	<p>15 x 2pcs</p> 
<p>20 x 2pcs</p> 	<p>22 x 30pcs</p> 	<p>23 x 30pcs</p> 	<p>24 x 1pc</p> 
<p>25 x 2pcs</p> 			

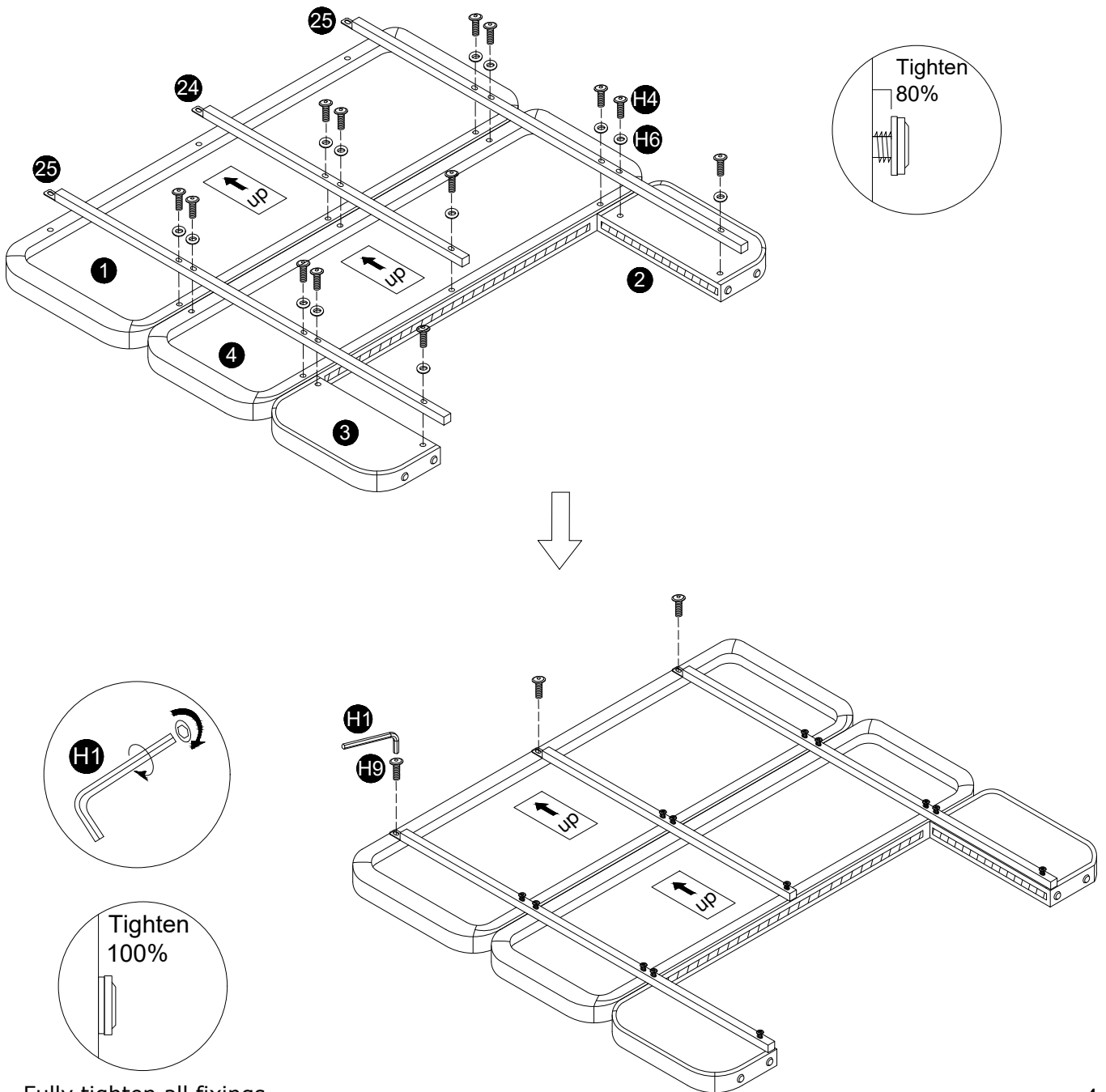
Please ensure to thoroughly inspect the small inner cardboard box containing the hardware, which are tied with a red string, before disposing of the box.

HARDWARE LIST

Components of Carton A

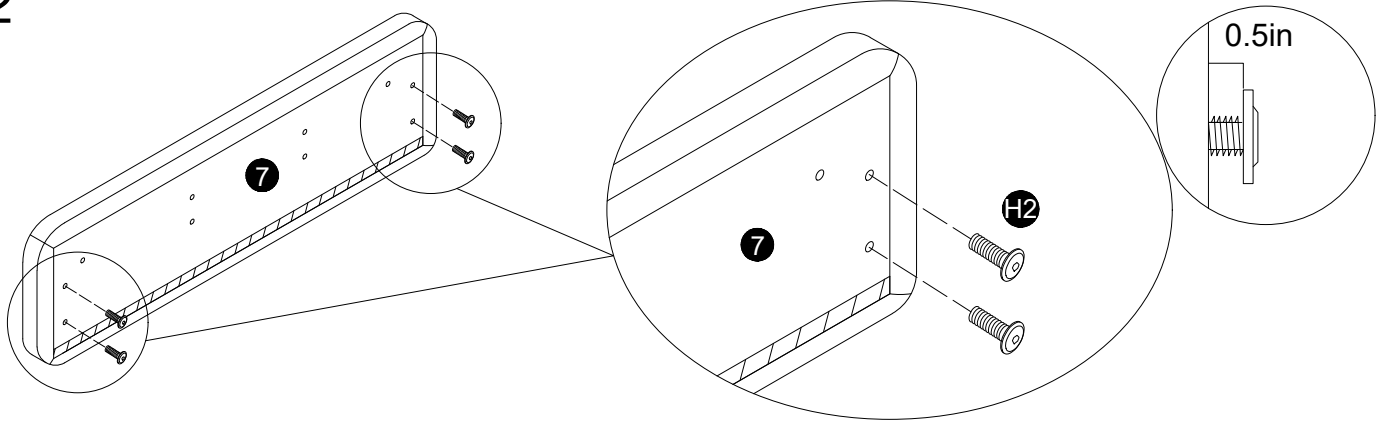
 H1 M5 x 1pc	 H2 M8x25mm x 44pcs	 H3 M8x50mm x 10pcs	 H4 M8x60mm x 17cs
 H5 M8 x 6pcs	 H6 M8x22mm x 19pcs	 H7 M8 x 6pcs	 H8 M14 x 1pc
			 H9 M8x30mm x 9pcs

1 As shown in the diagram, align the screws with the corresponding holes and pre-fix them. Then, tighten each screw separately.

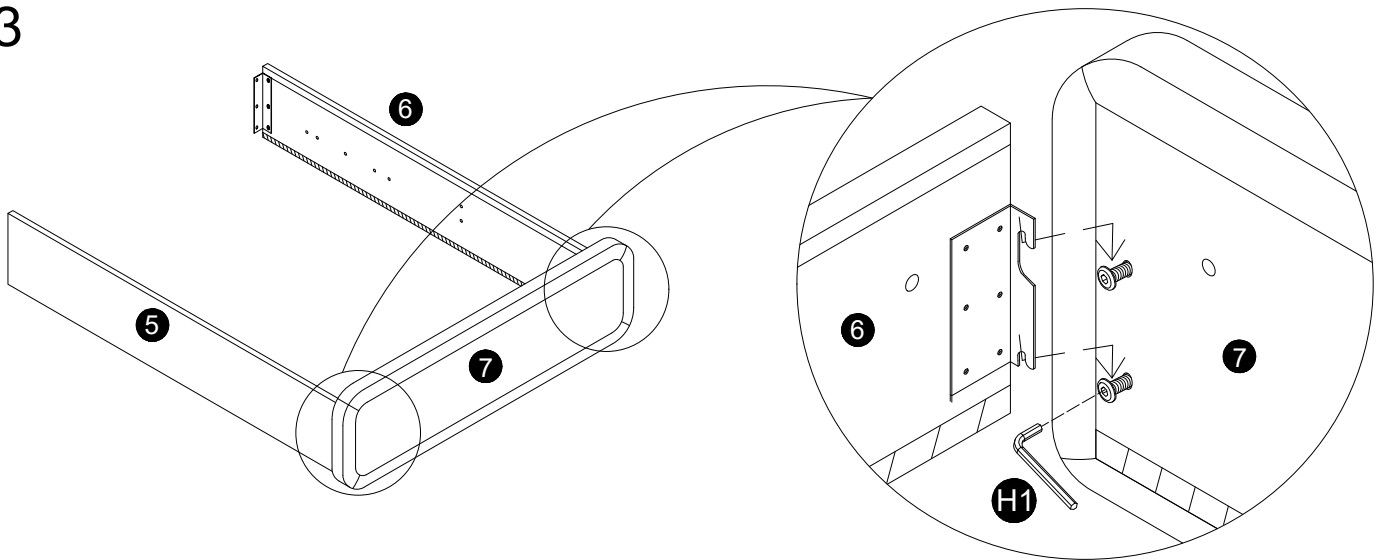


Fully tighten all fixings

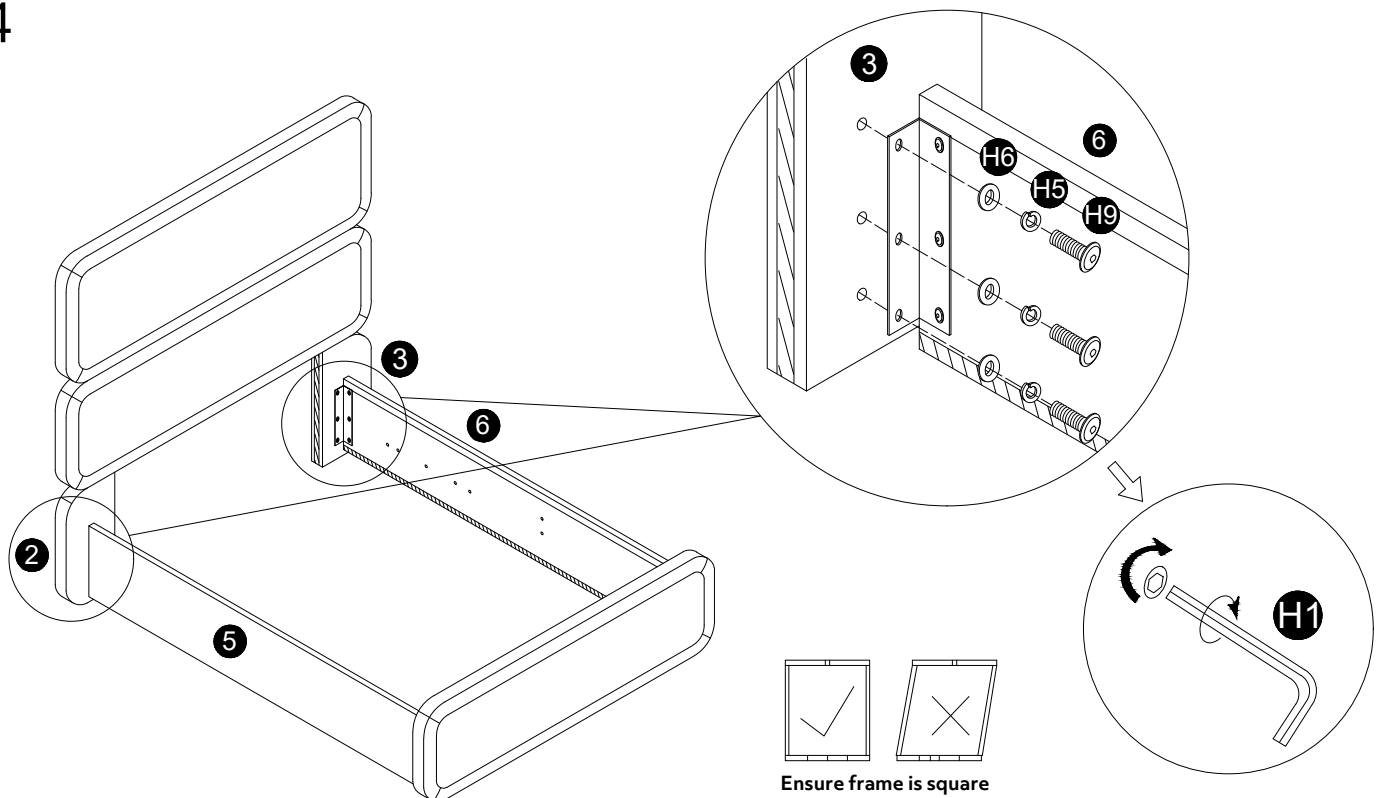
2



3

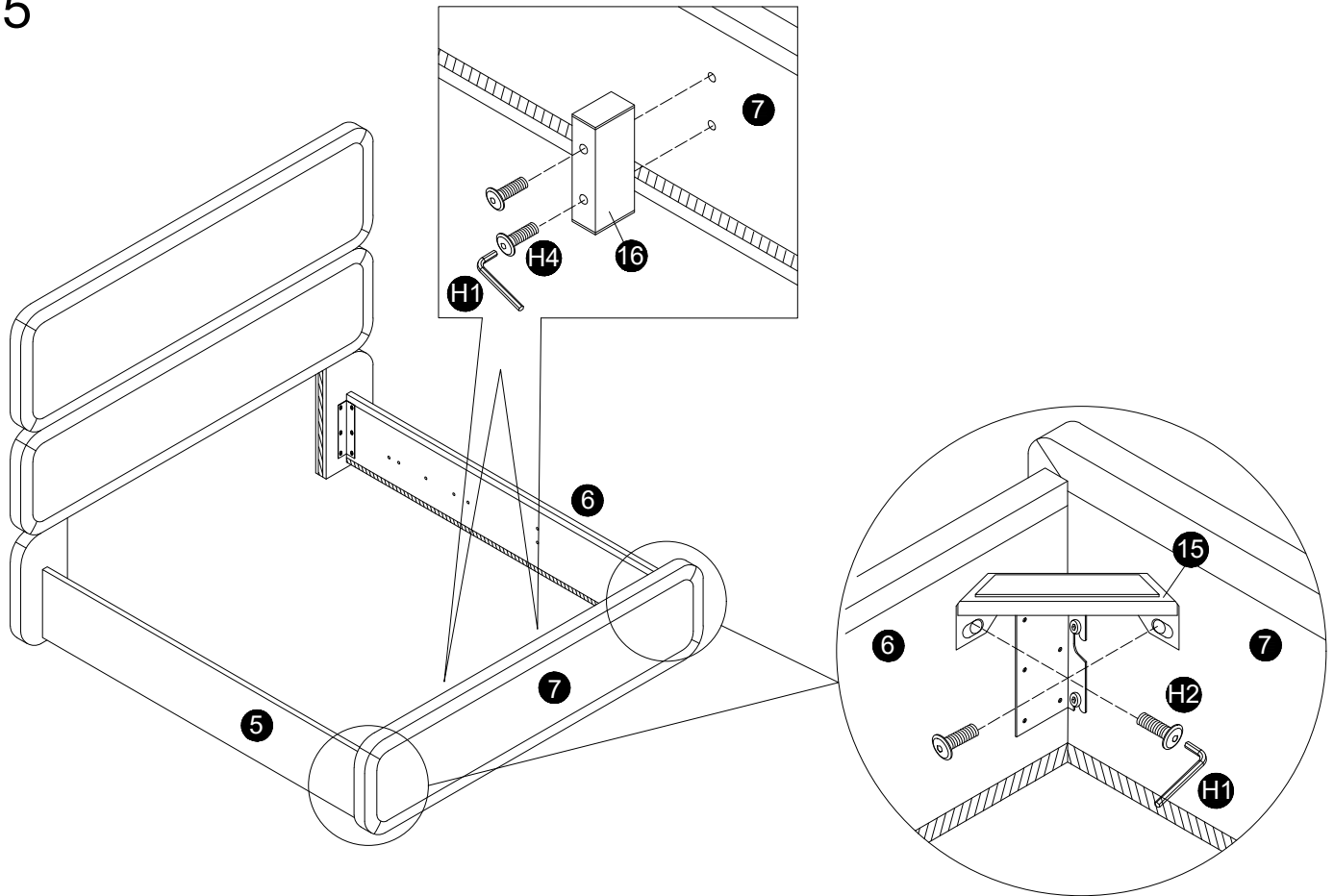


4

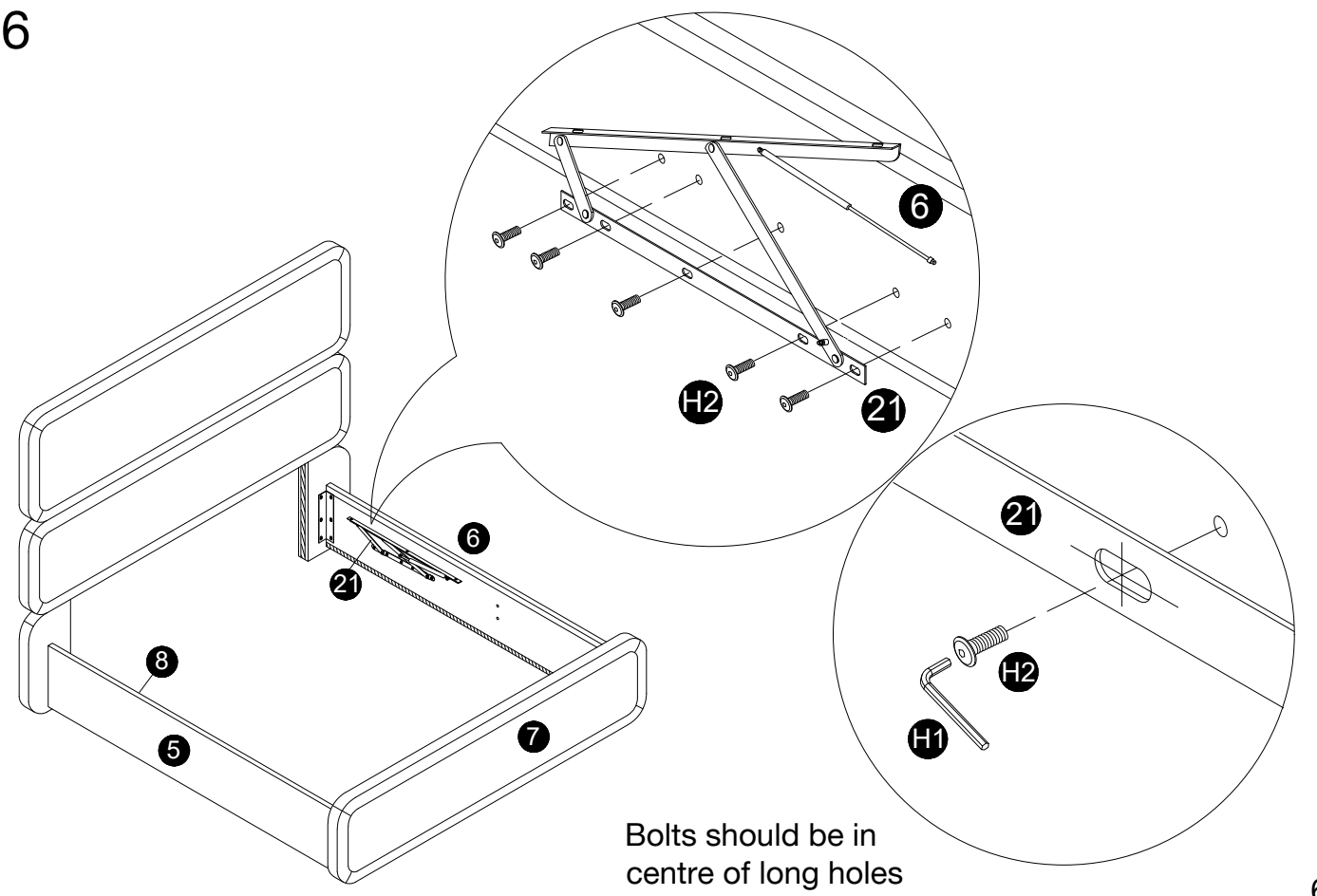


5

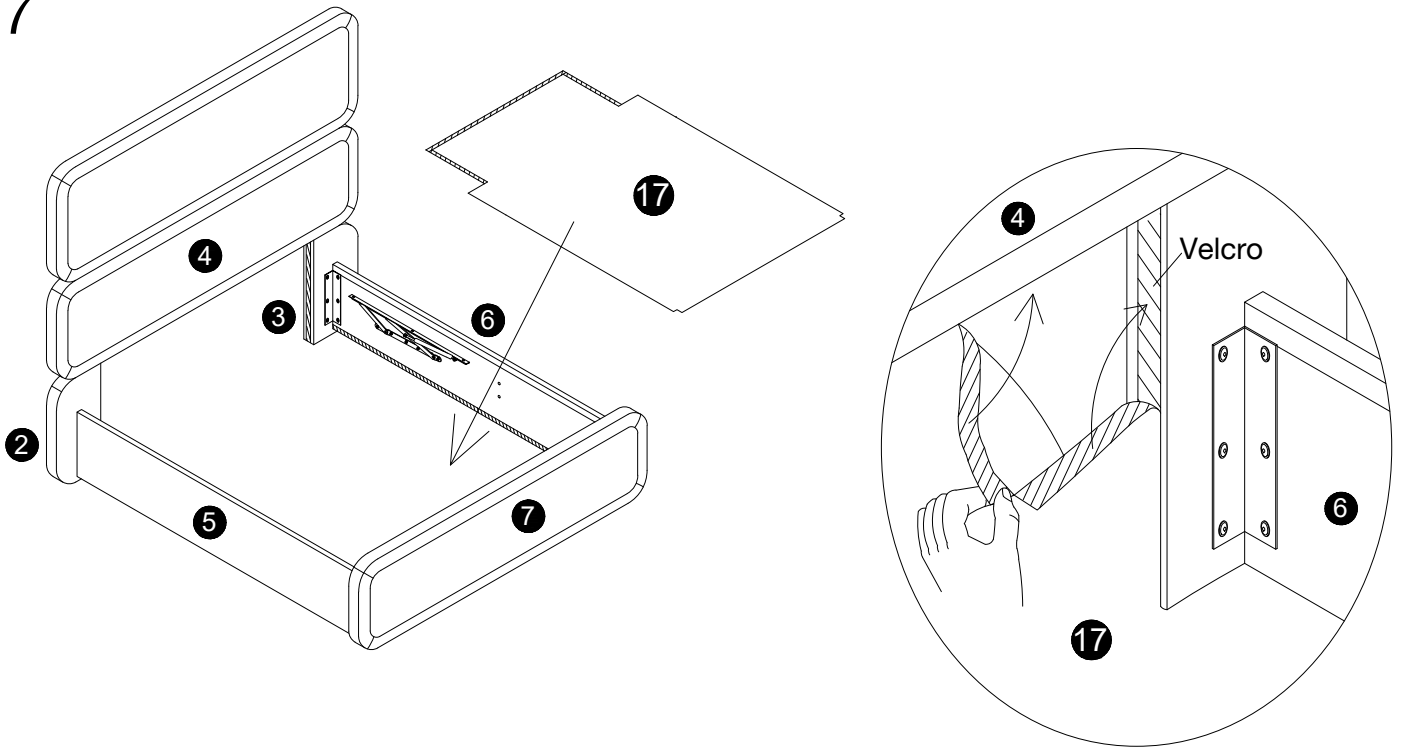
5



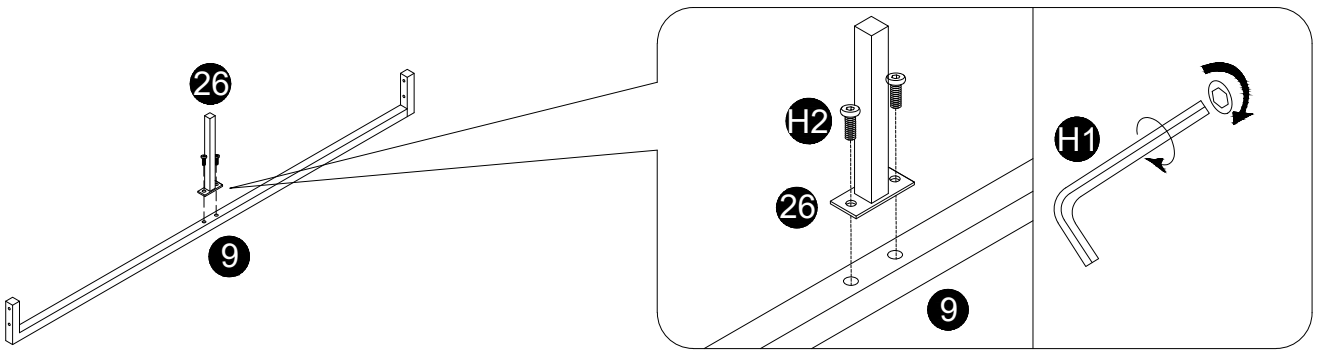
6



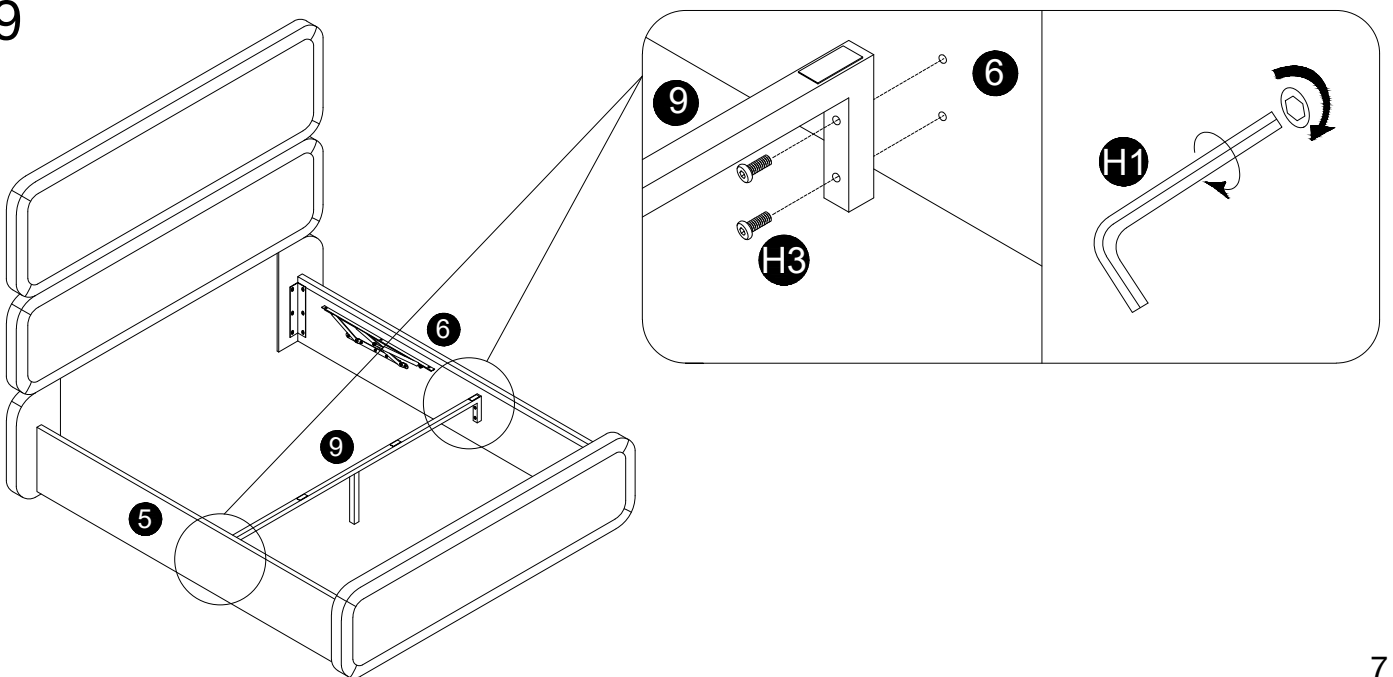
7



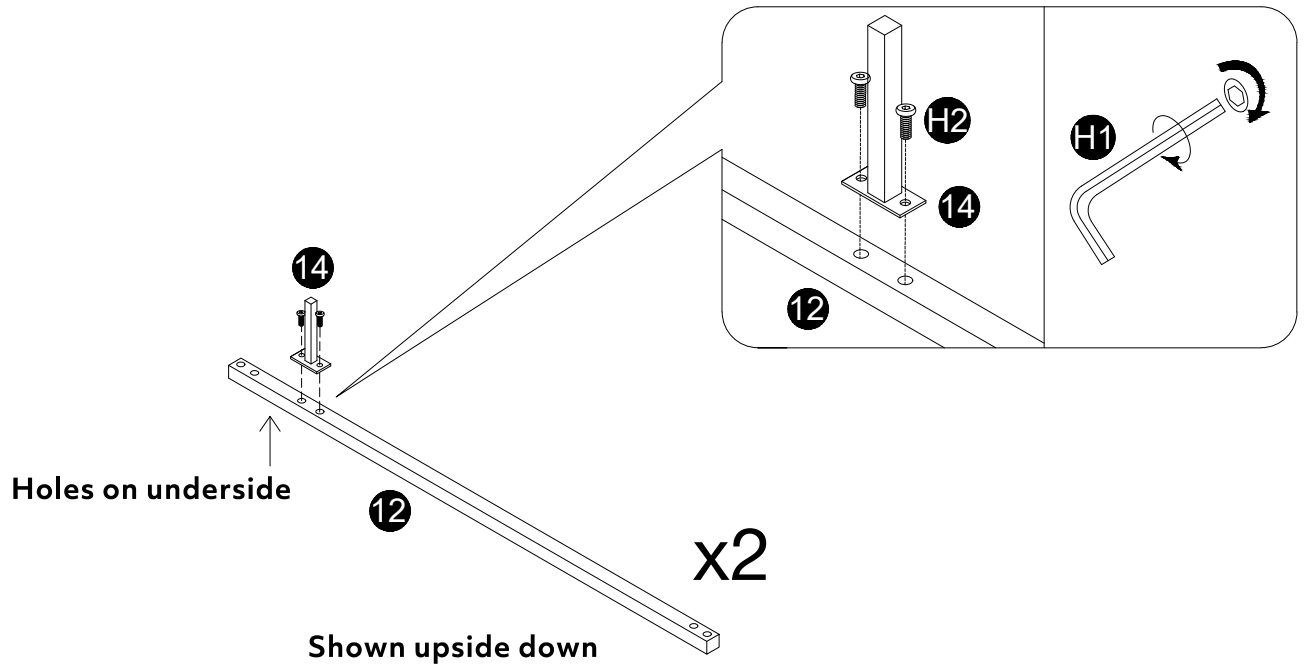
8



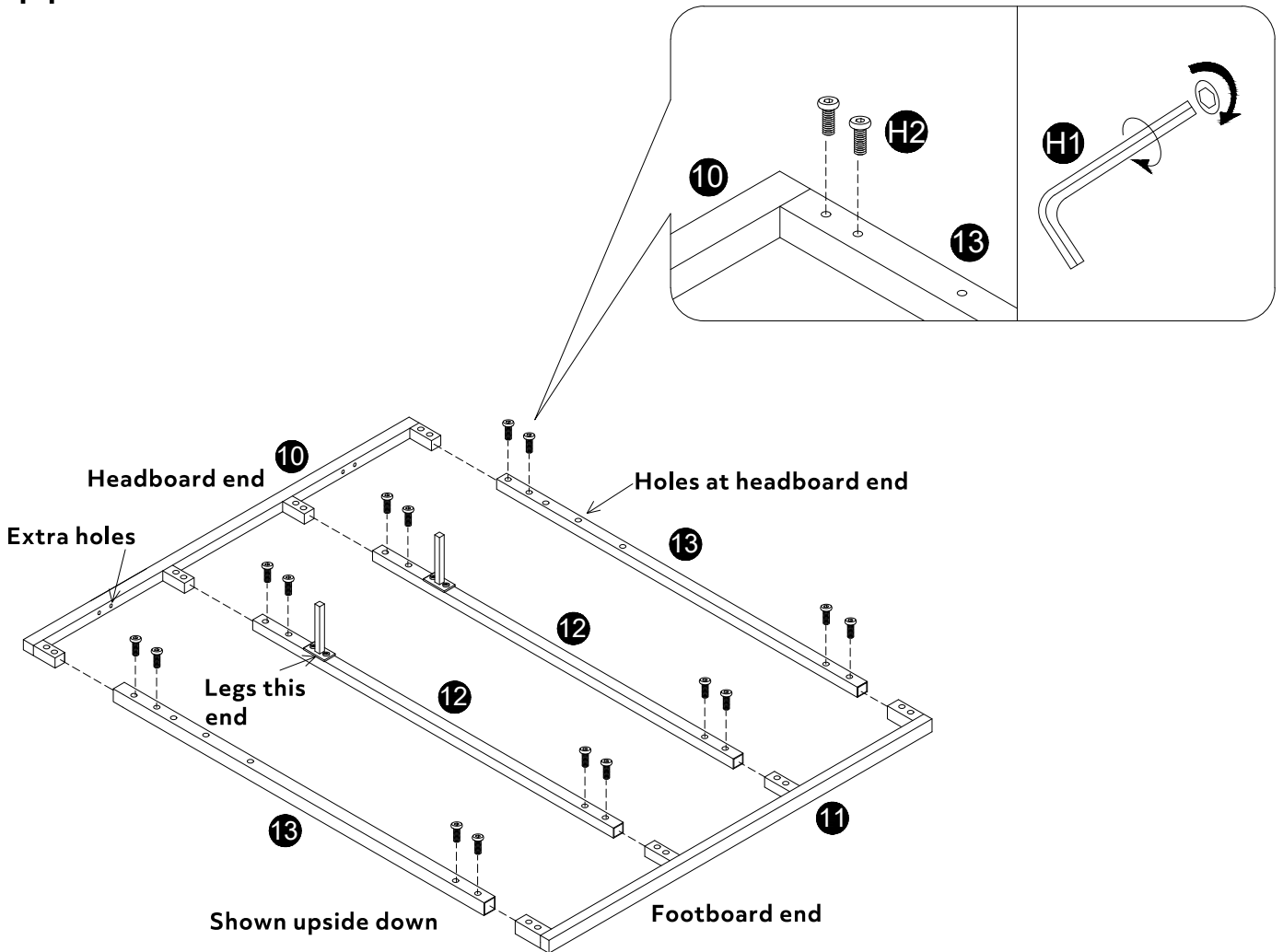
9



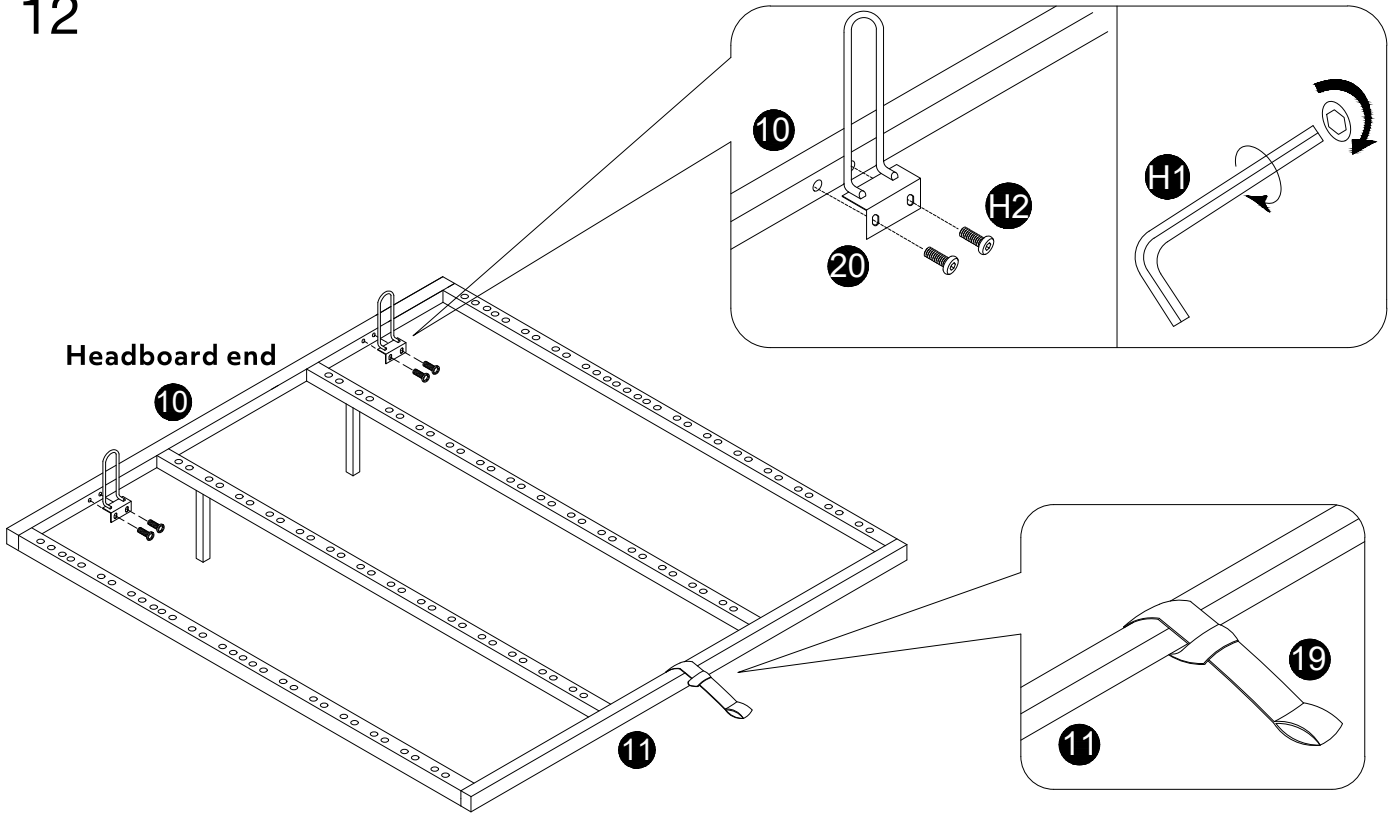
10



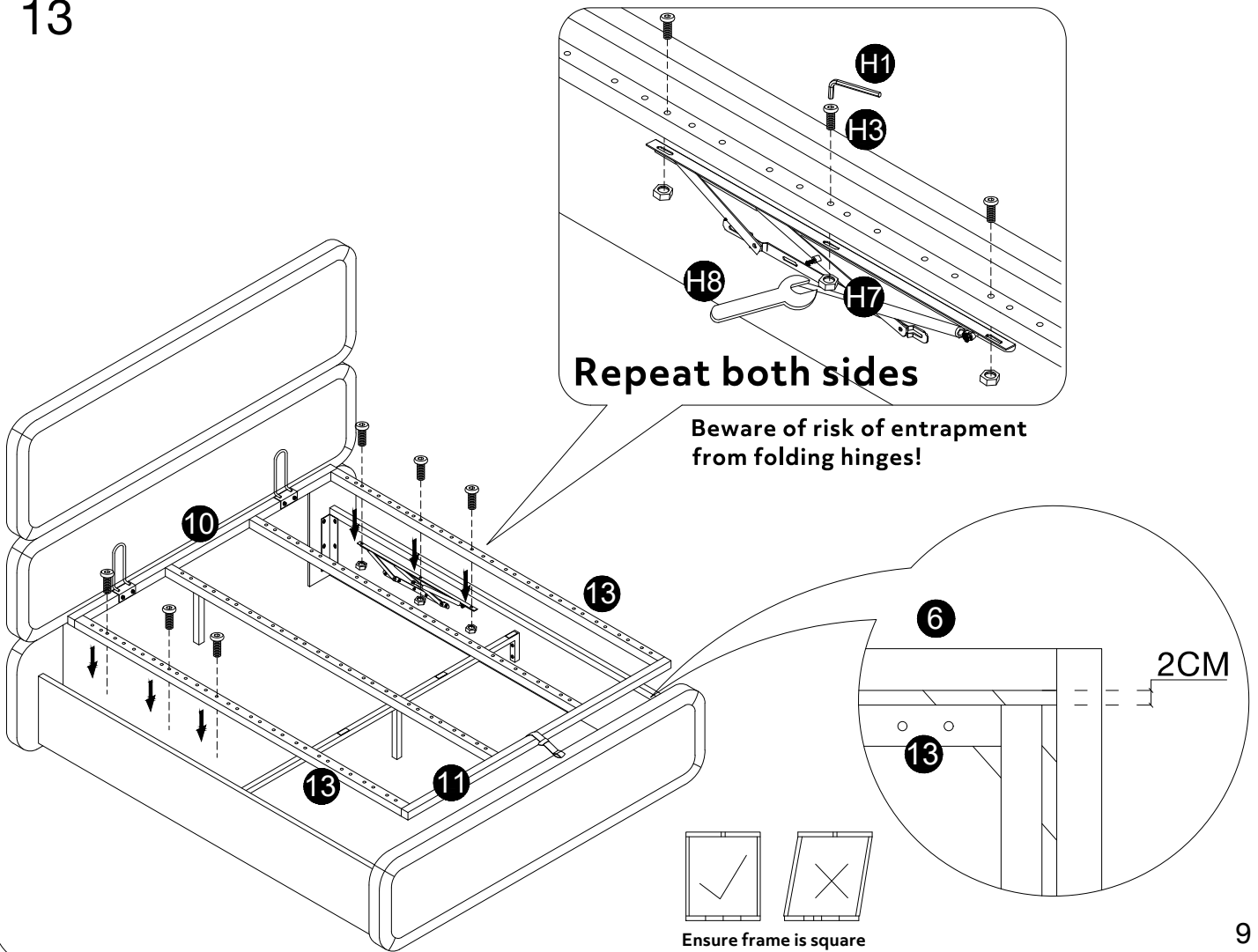
11



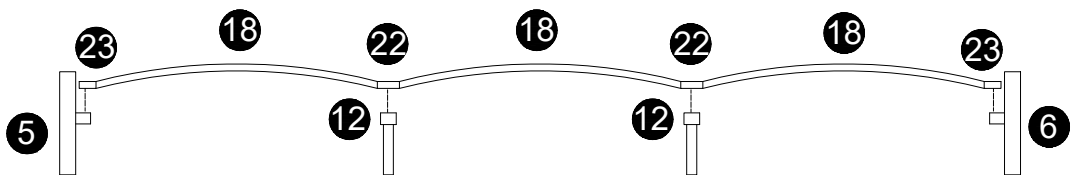
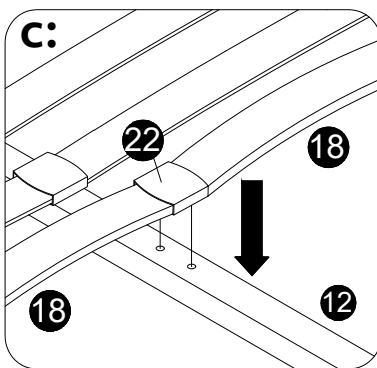
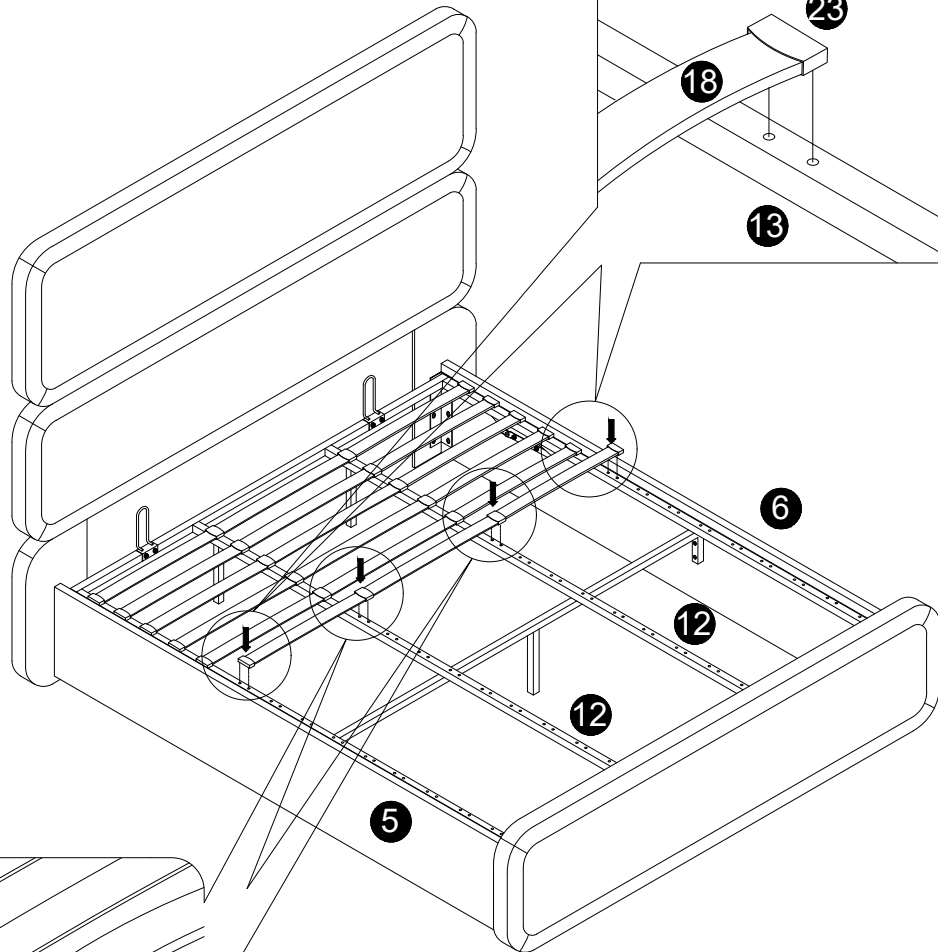
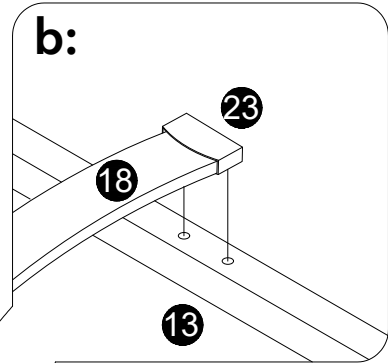
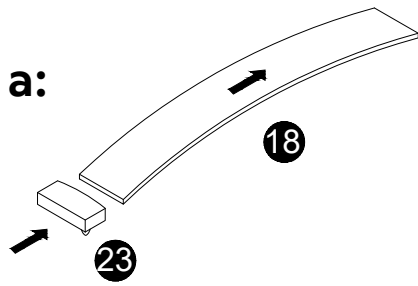
12



13



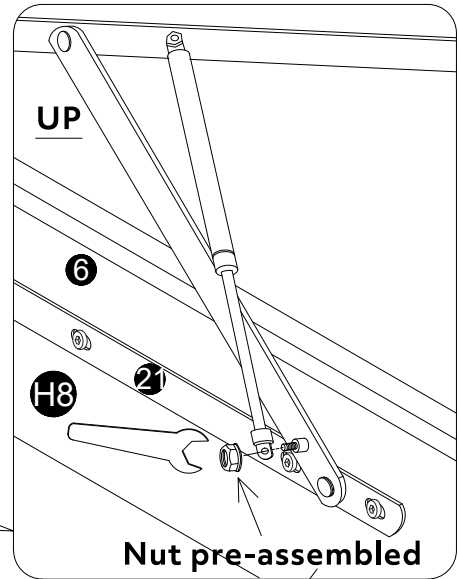
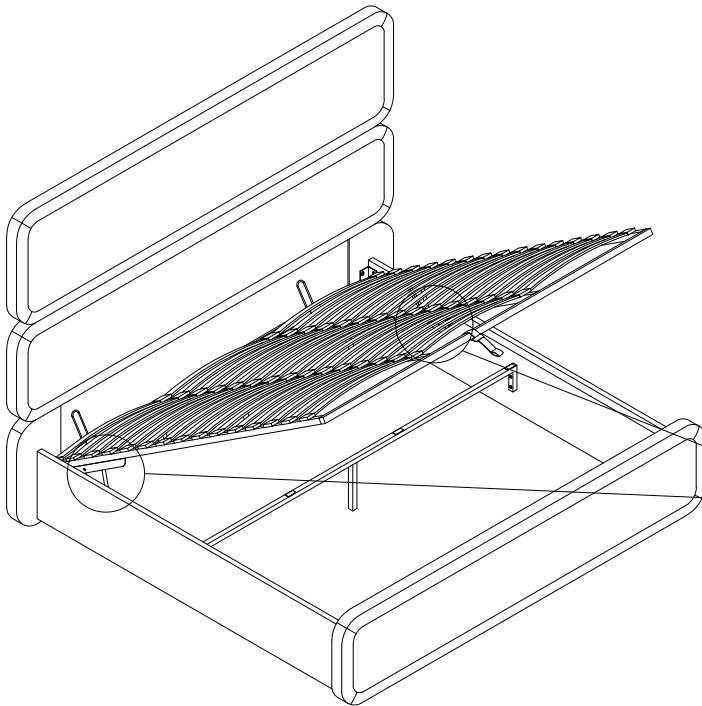
14



Slats to arch upwards

15

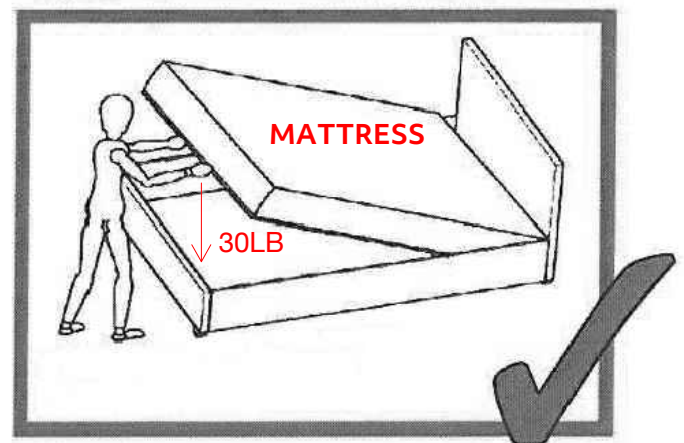
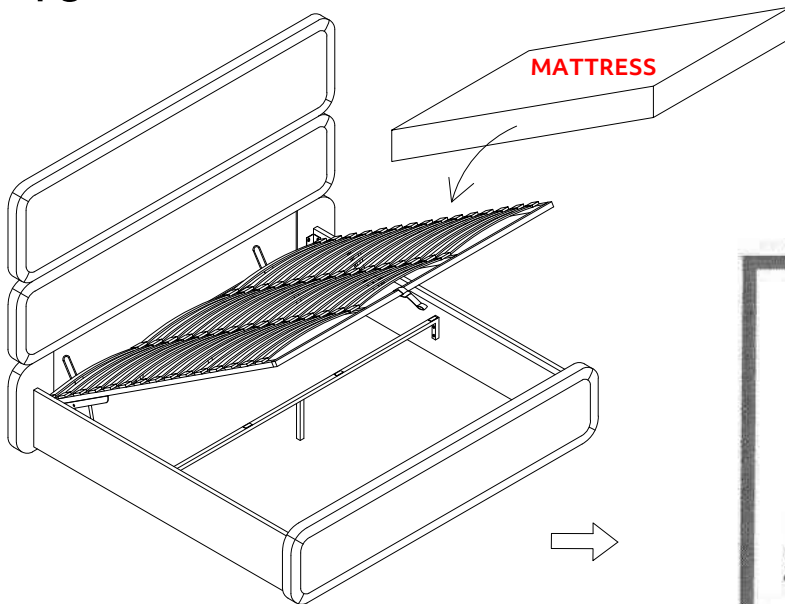
**Warning: Two people required.
Frame to be fully supported at all times!**



Repeat both sides

Important: Before proceeding, check and ensure all screws and fixings are fully tightened.

16



! Place the mattress on frame & Carefully lower the frame down.
Keep objects/body part & children away from moving parts.

Job Complete !

In the interest of our environment please dispose of all packaging thoughtfully.