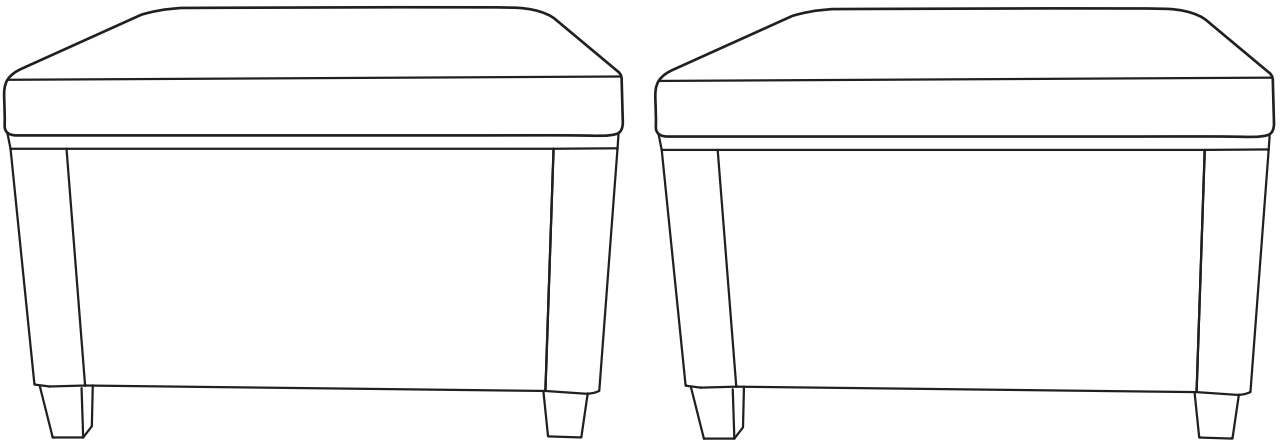


OTTOMAN



NOTICE



Please retain these instructions for future reference.

Dear Customer

Thank you for your purchase.

When you receive the product, please make sure that all the parts are intact.

Then please browse the entire installation manual before assembly.

If problem occur unsatisfactorily as follows

- A** . The outer box is damaged
- B** . The product is damaged / bent / cracked while you open the box
- C** . The parts / accessories / assembly tools are missing
- D** . The product is hard to assemble
- E** . The instructions are not clear and can not be referred
- F** . The product has functional problems
- G** . Other aspects that you are not satisfied with



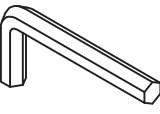
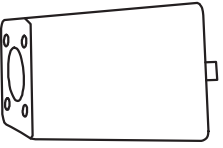


SAFETY NOTES

- Handle components with care due to sharp corners.
- The installation of this product may require the use of electric drills, please pay attention to safety.

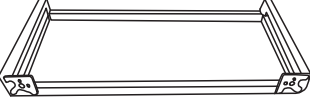
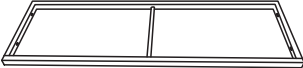
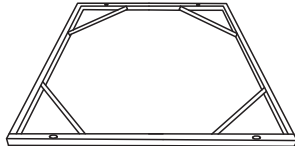
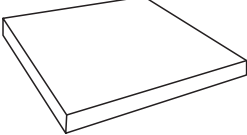
CARE INSTRUCTIONS

- Assembly with more than one person suggested.
- Please use gloves when assembling the metal frame portion of this unit.
- The metal components of this product have been treated with a rust preventive coating that may feel oily to the touch.
- This coating is not dangerous, but may dirty your hands during assembly.
- We recommend that you wipe metal parts clean with a mixture of warm water and dish detergent prior to assembly. Should your hands become dirty, simply wash with soap and water.

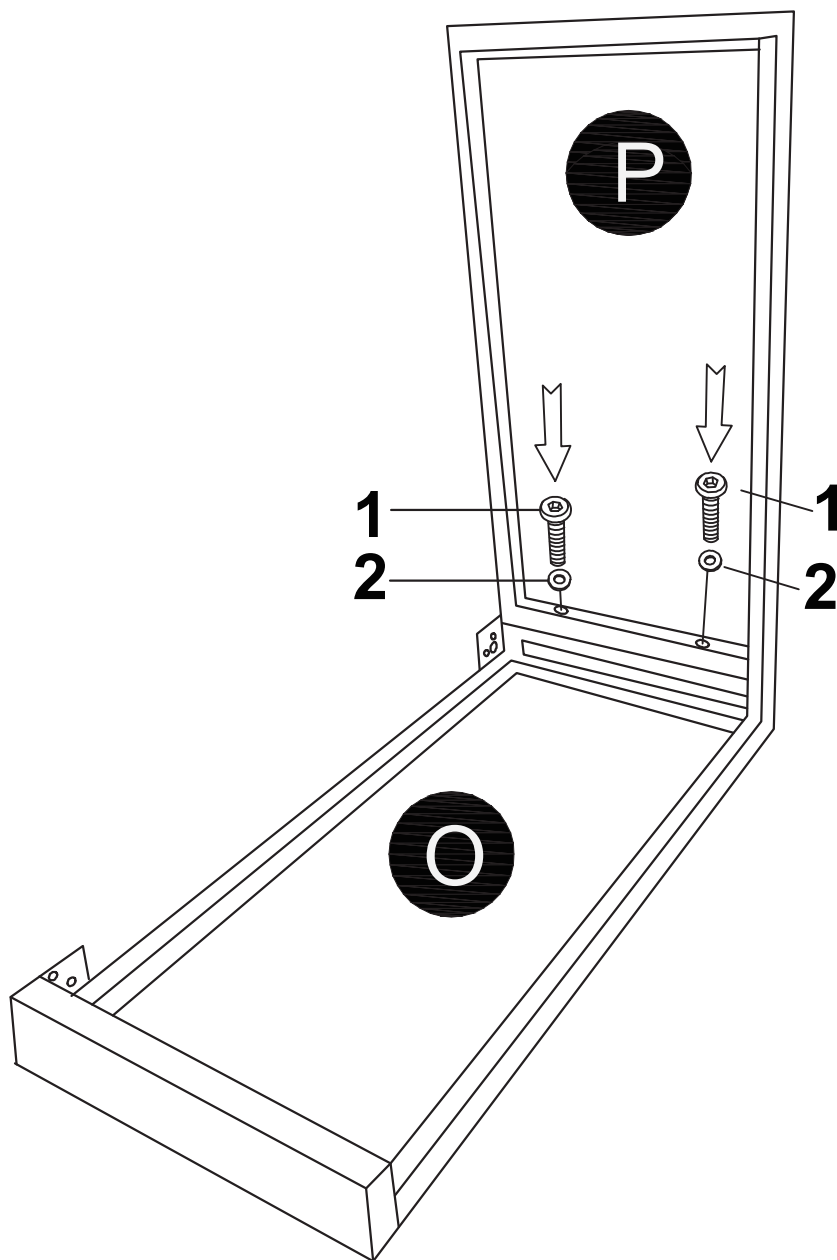
HARDWARE



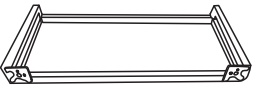
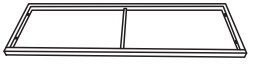
①  SCREW M6x35MM	②  Ø6	③ 	④ 
24 pc	24 pc	1 pc	8 pc
⑦ 	⑧  Ø8		
8 pc	8 pc		

PARTS

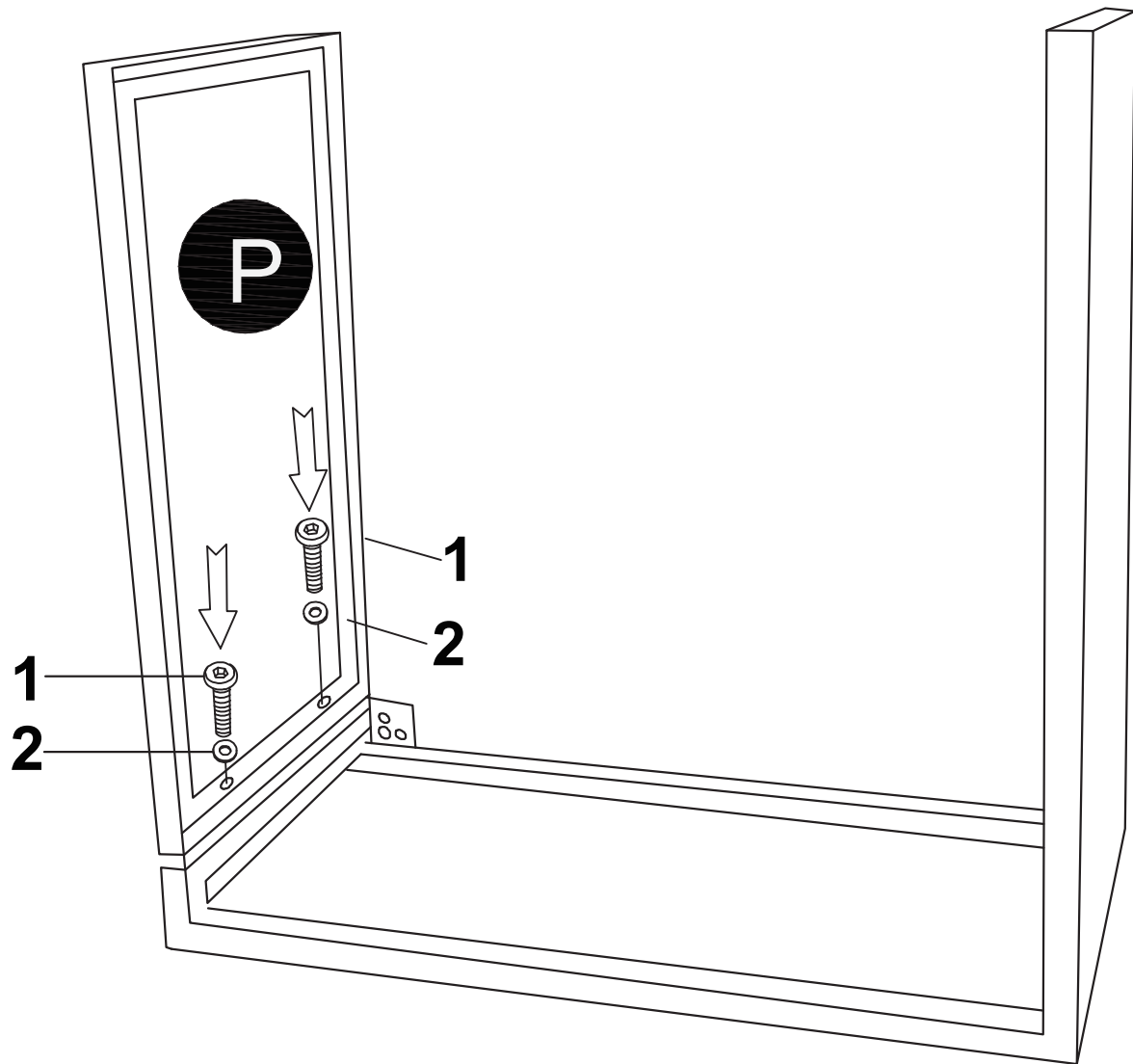
① 	② 	③ 	④ 
2 pc	2 pc	2 pc	2 pc



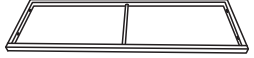
Step 1



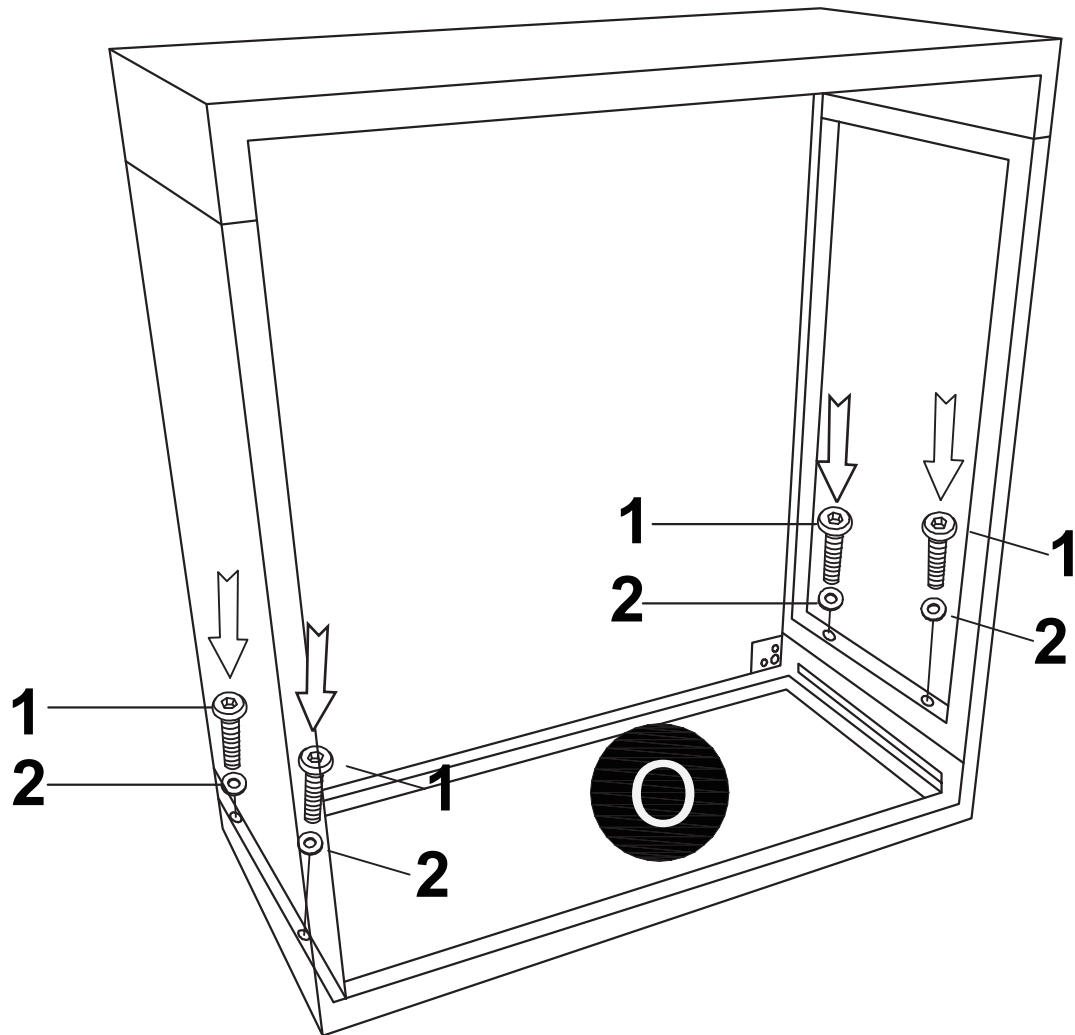
<p>①</p>  <p>SCREW M6x35MM</p>	<p>②</p>  <p>Ø6</p>	<p>①</p>  <p>1 pc</p>	<p>①</p>  <p>1 pc</p>
<p>2 pc</p>	<p>2 pc</p>	<p>1 pc</p>	<p>1 pc</p>




Step 2



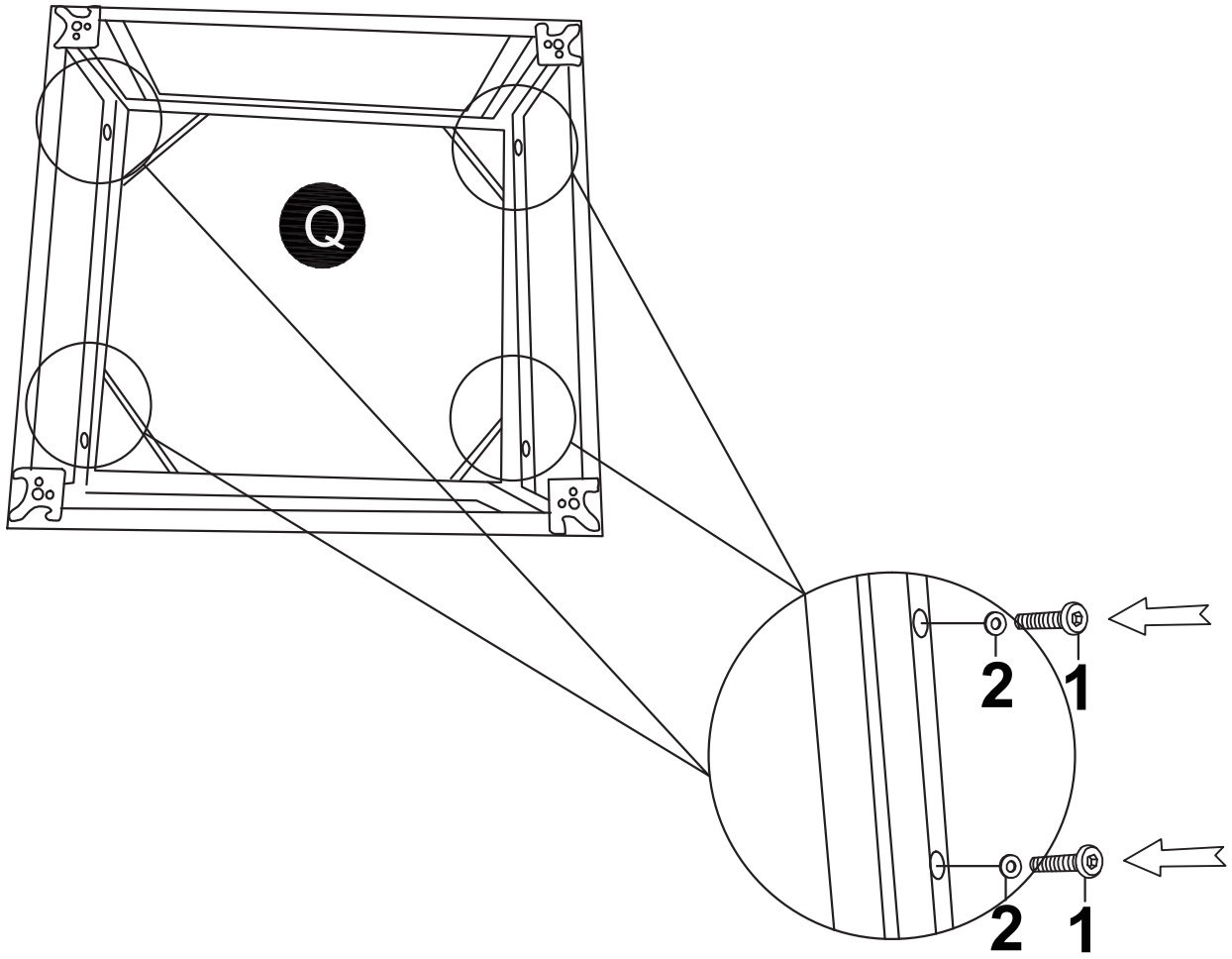
<p>①</p>  <p>SCREW M6x35MM</p>	<p>②</p>  <p>Ø6</p>	<p>Ⓟ</p> 
<p>2 pc</p>	<p>2 pc</p>	<p>1 pc</p>



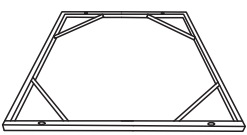
Step 3



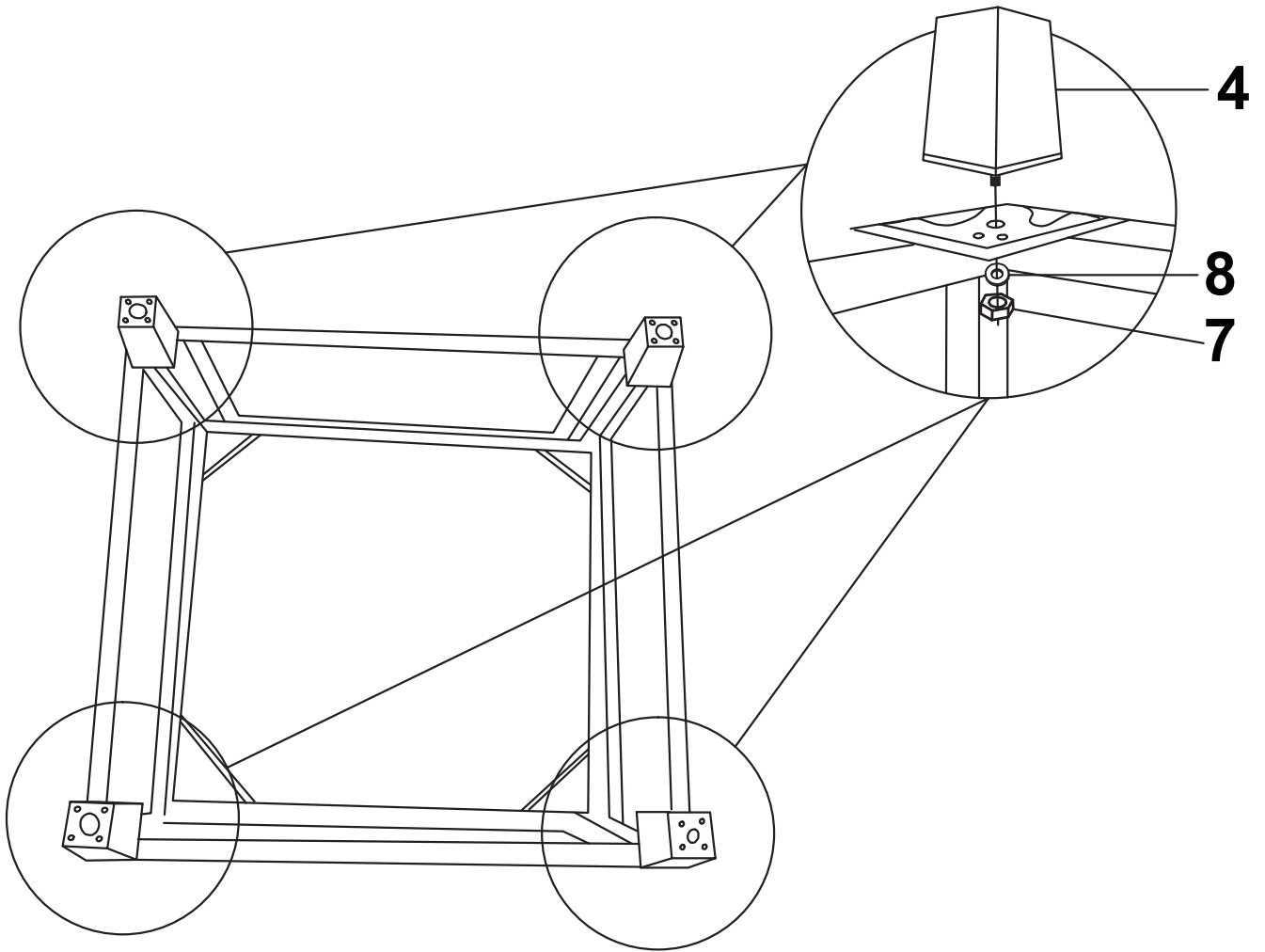
<p>①</p>  <p>SCREW M6x35MM</p>	<p>②</p>  <p>Ø6</p>	<p>⊙</p> 
<p>4 pc</p>	<p>4 pc</p>	<p>1 pc</p>

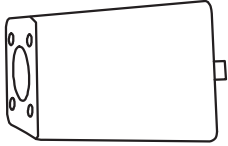


Step 4



<p>①</p>  <p>SCREW M6x35MM</p>	<p>②</p>  <p>Ø6</p>	<p>Q</p> 
<p>4 pc</p>	<p>4 pc</p>	<p>1 pc</p>

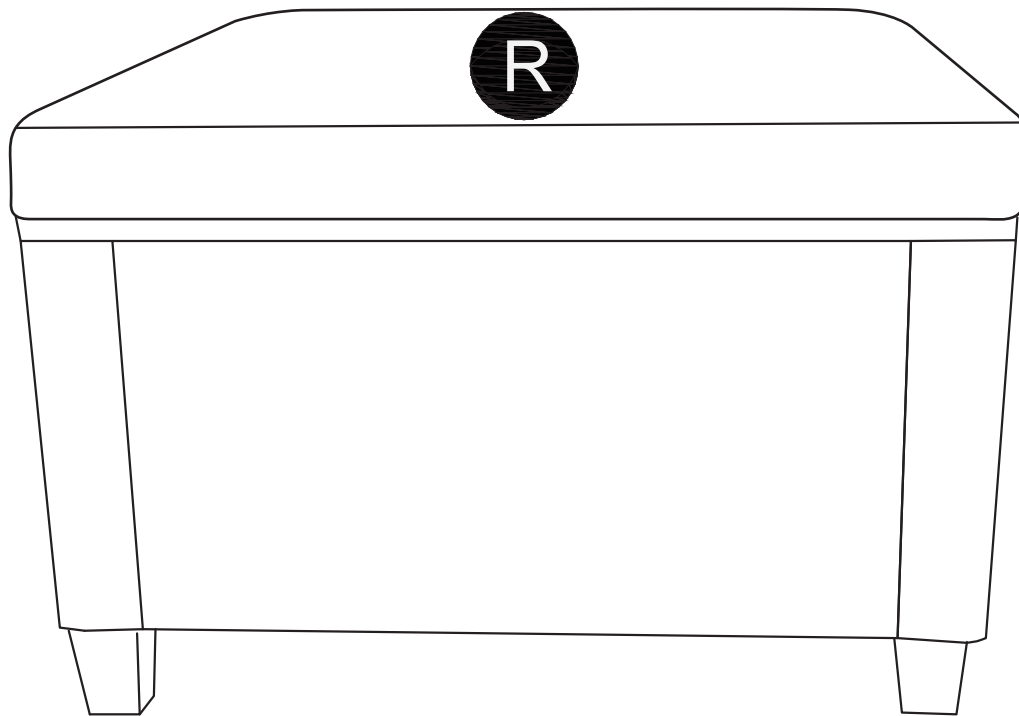
Step 5



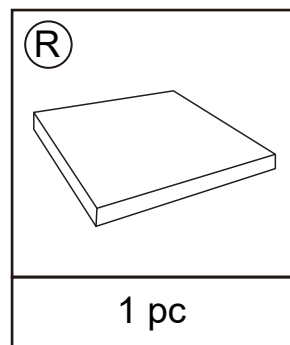
<p>④</p> 	<p>⑦</p>  <p>M8</p>	<p>⑧</p>  <p>Ø8</p>
<p>4 pc</p>	<p>4 pc</p>	<p>4 pc</p>

Step 6

Repeat to build another



x2



AFTER-SALE SERVICE CARD

If you have any suggestions for our products or find that the products have quality problems, please contact us first, our after-sales team will reply you within 24 hours, and we will do our best to give you solutions until you are satisfied.