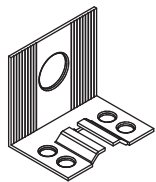
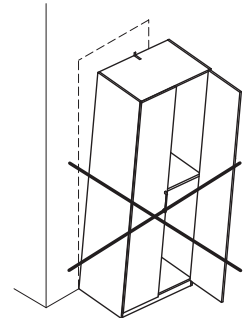
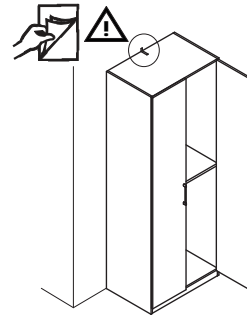
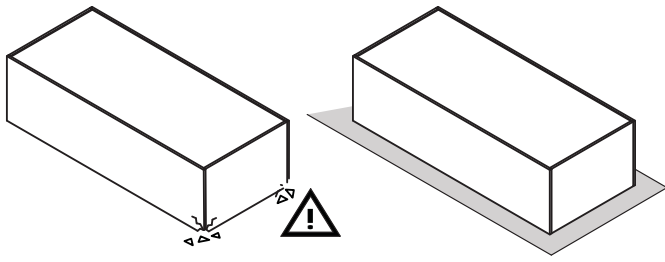
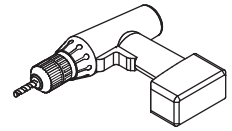
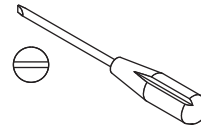
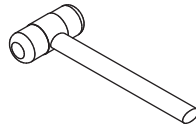
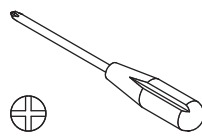
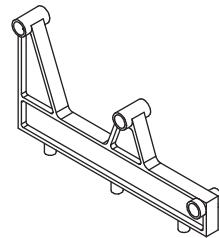


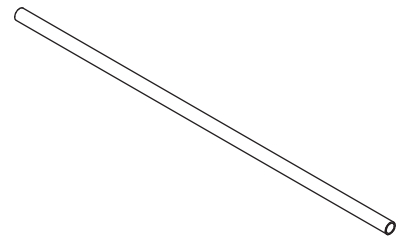
1,5h



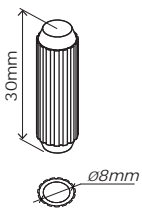
**H16**  
x1



**W2**  
x10



**W435**  
x15



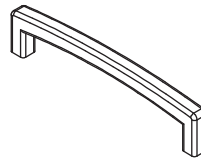
**H1**  
x4



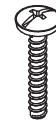
**G5**  
x2



**H106**  
x1



**M72**  
x5



**V25**  
x10



**R18**  
x10



**R28**  
x10



**T7**  
x2



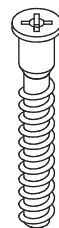
**T28**  
x2



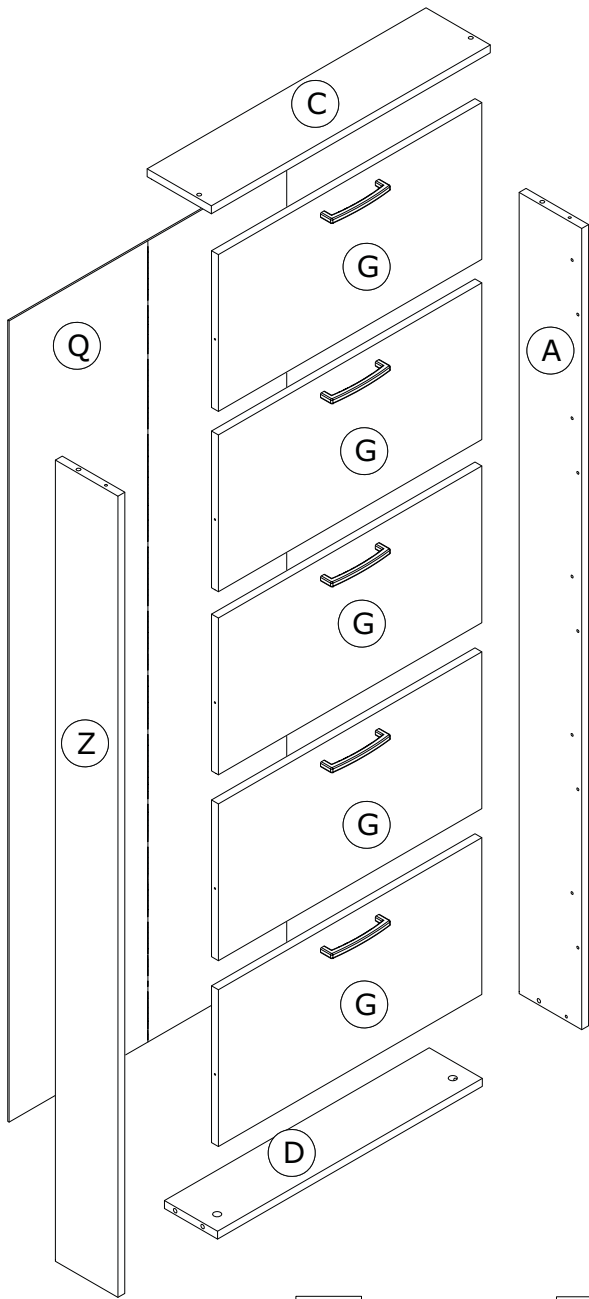
**V10**  
x2



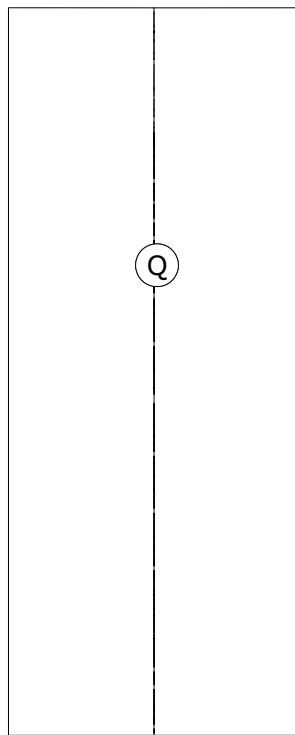
**H15**  
x36



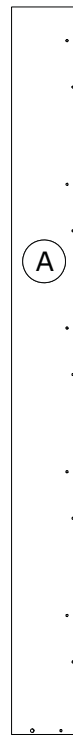
**V45**  
x2



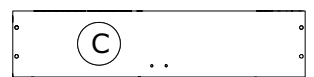
**FI7235**  
1620x146x16mm



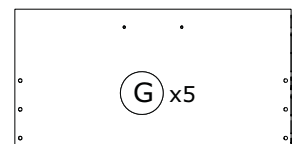
**SH0721**  
1620x648x3mm



**FI7234**  
1620x146x16mm



**CA2878**  
651x150x16mm

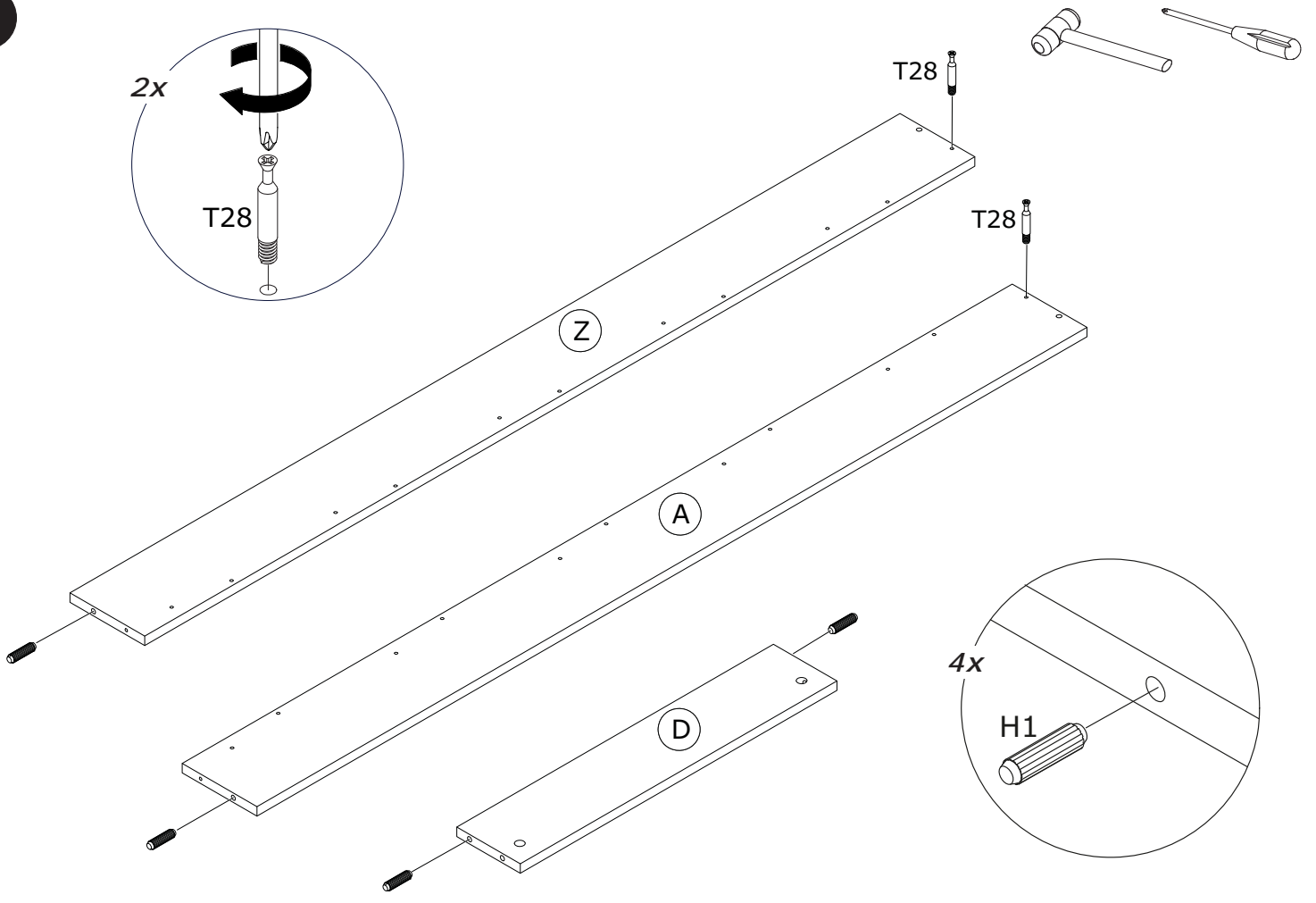


**R10356**  
615x317x16mm

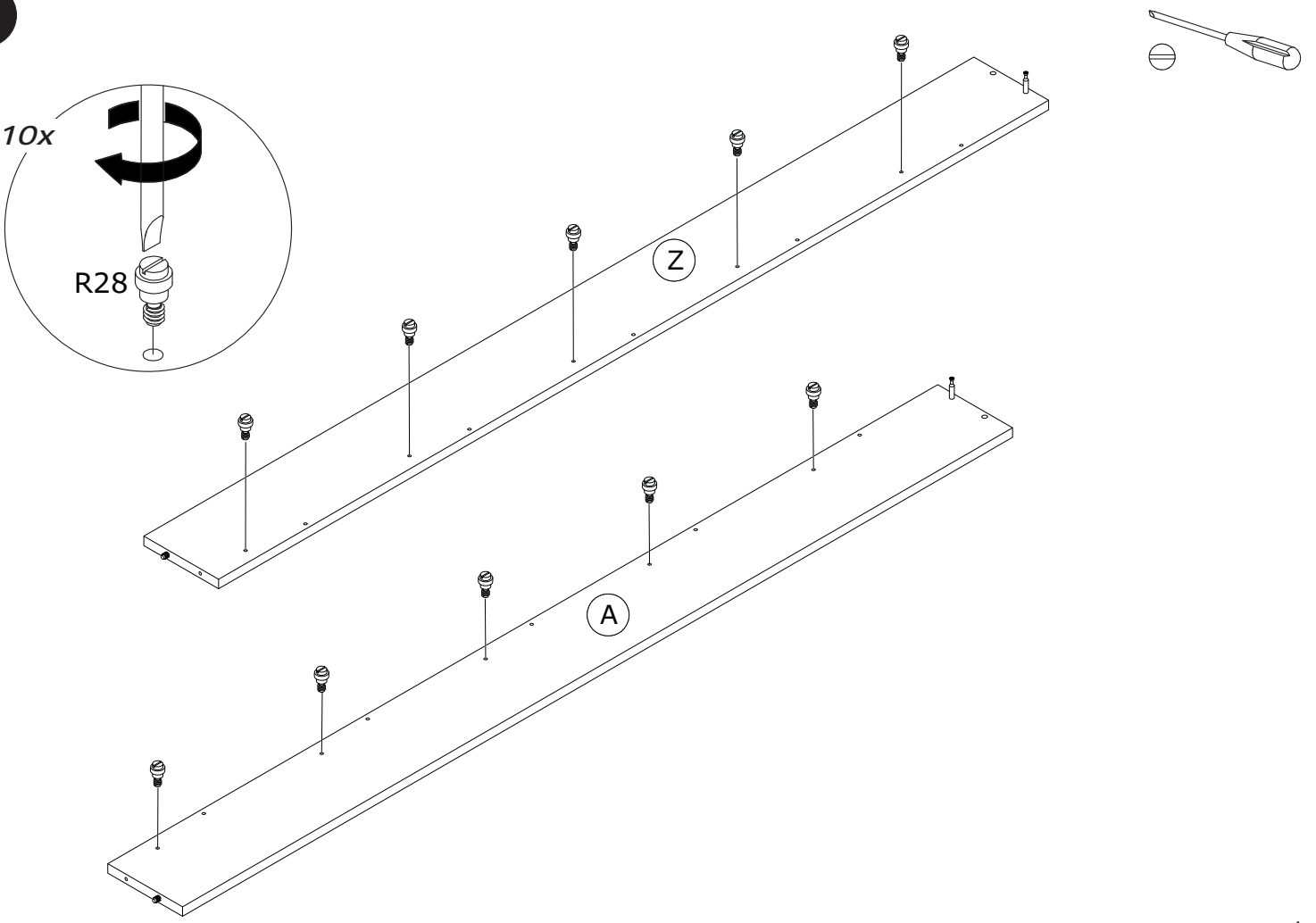


**BA1018**  
618x124x16mm

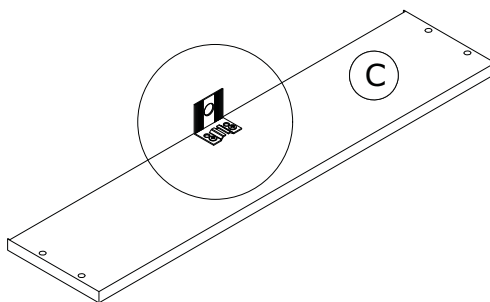
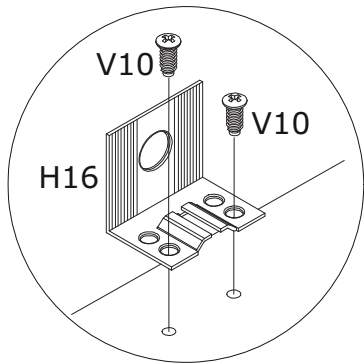
1



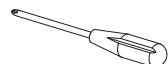
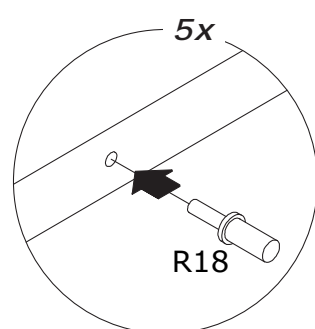
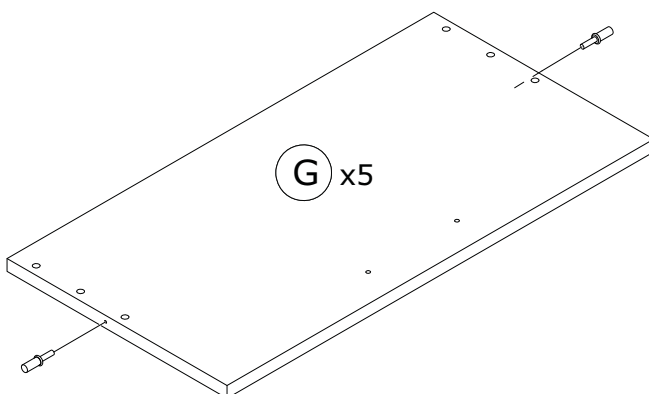
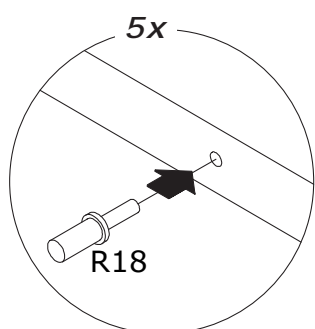
2



3

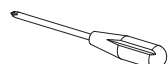
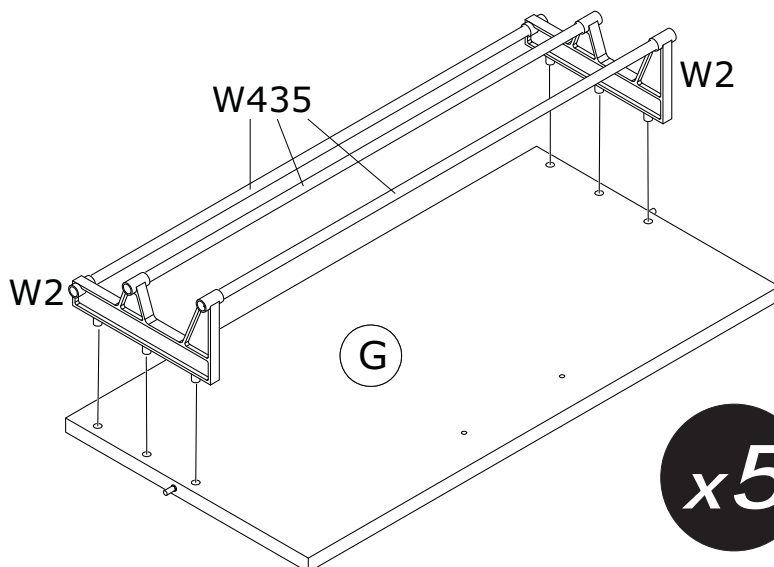
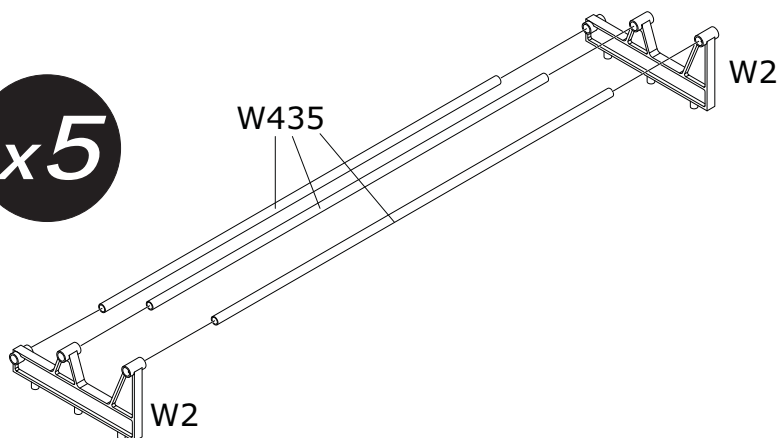


4

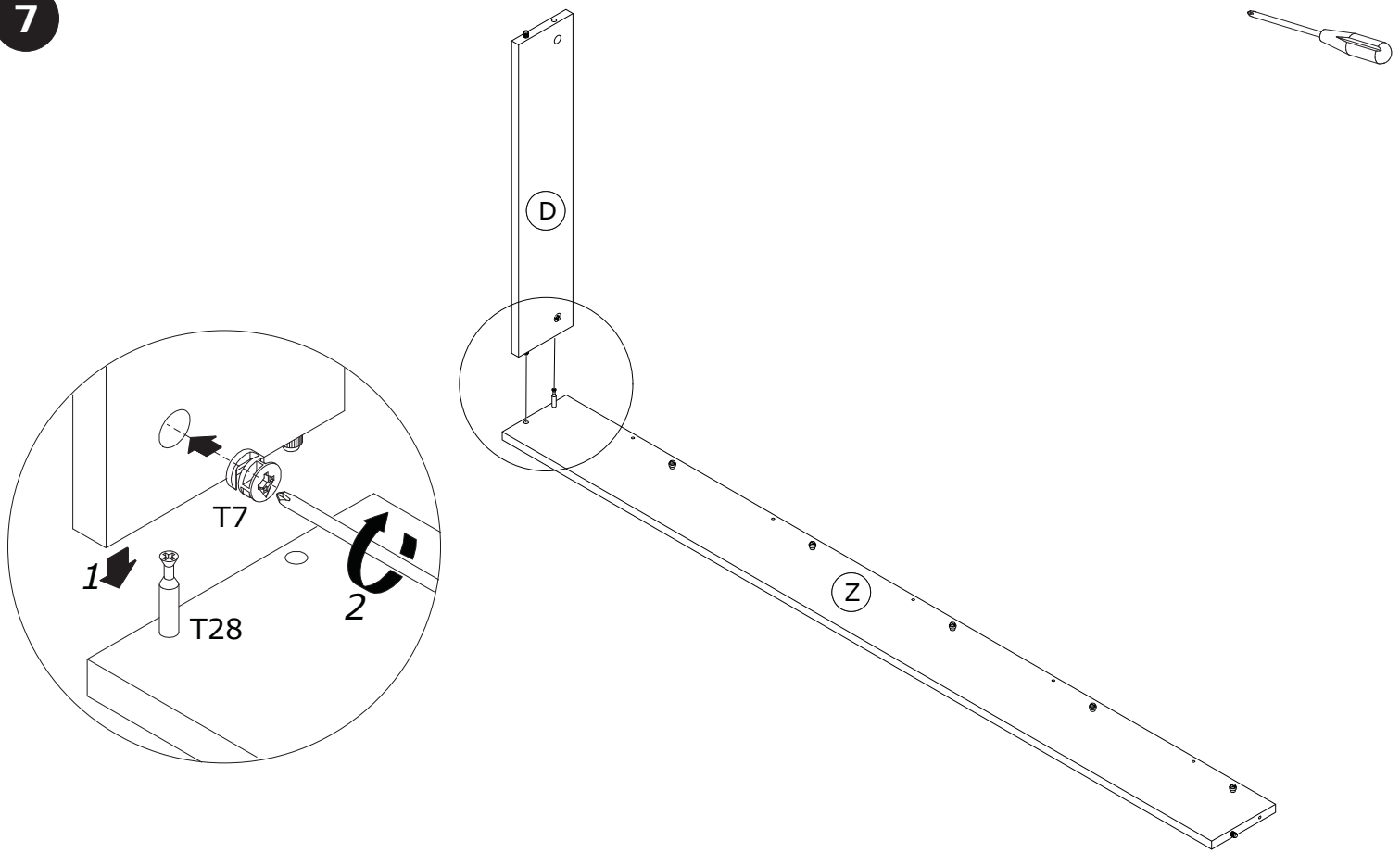


6

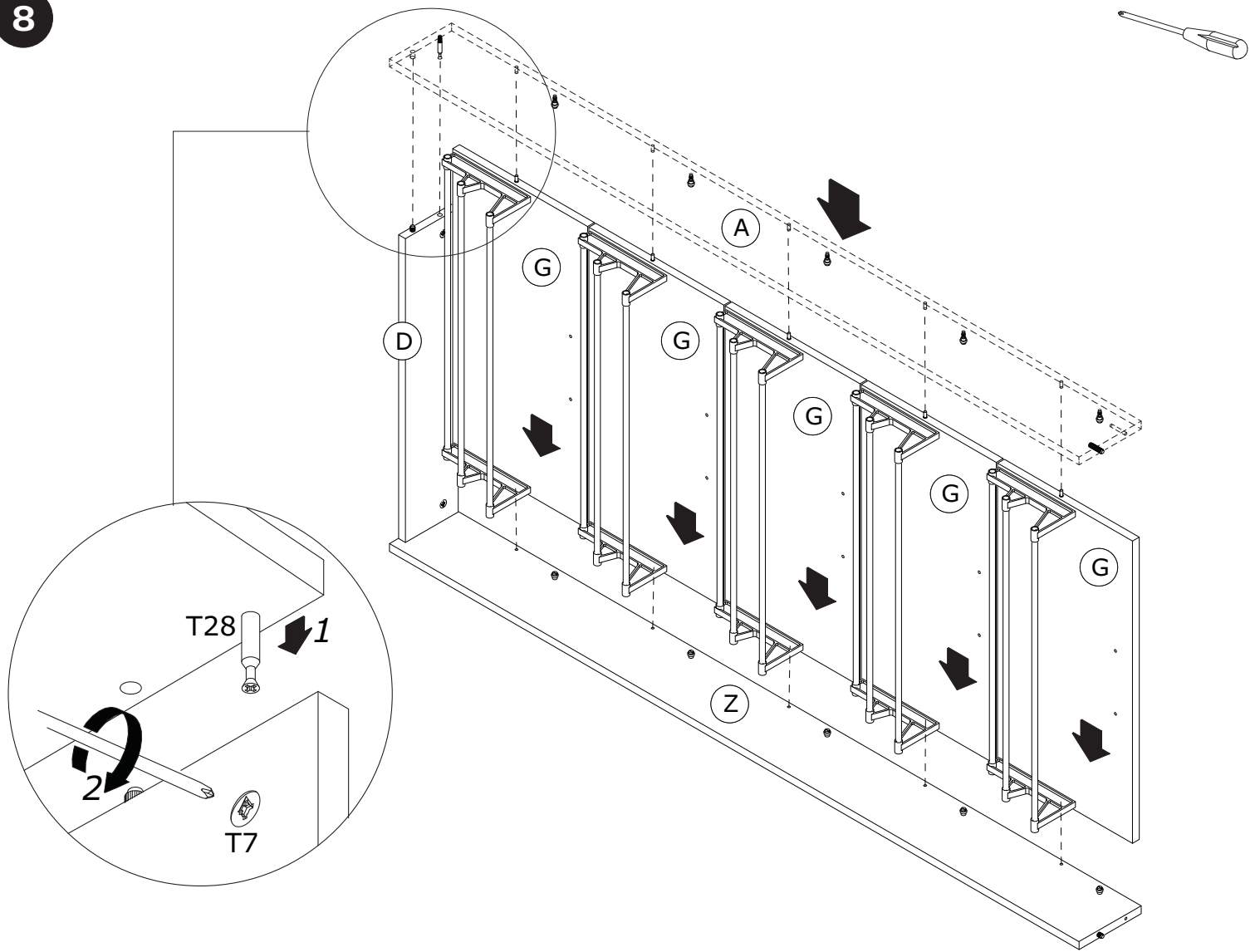
x5



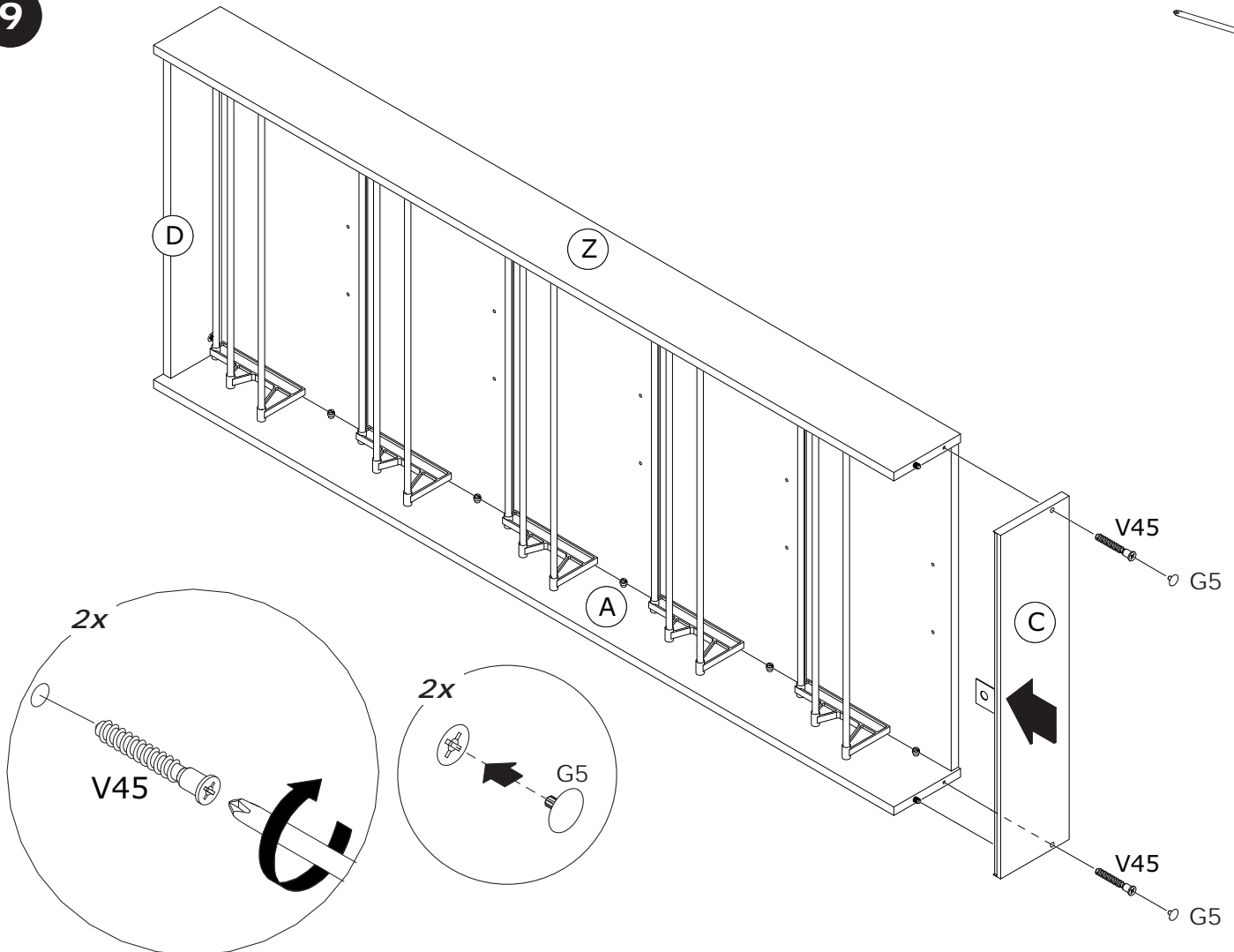
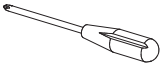
7



8



9



10

