

OWNER MANUAL

WARNING!!

Children have died from furniture tipover. Tip restraints have been included with this product; you must install the tip restraints according to these instructions in order to minimize the risk of furniture tipping. If you have any questions about this product or the tip restraint, please send us an email .

NEVER allow children to climb or hang on furniture, including drawers or cabinet doors.

In addition to installing the restrains, to help prevent tip-over

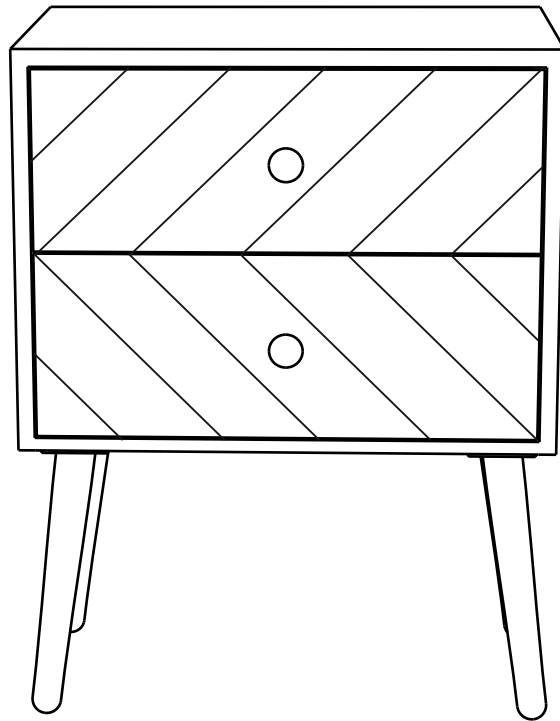
1. NEVER put a TV or other heavy objects on top of this product".
2. Do not stand on the product

⚠ WARNING	
	<p>Children have died from furniture tipover.</p> <p>To reduce the risk of furniture tipover:</p> <ul style="list-style-type: none">•ALWAYS install tipover restraint provided.•NEVER put a TV on this product.•NEVER allow children to stand,climb or hang on drawers,doors,or shelves.•NEVER open more than one drawer at a time.•Place heaviest items in the lowest drawers.•Do not defeat or remove the drawer interlock system.
	<p>This is a permanent label.</p> <p>Do not remove!</p>

Assembly Instructions

Caution : You must read this before you proceed

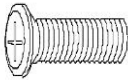


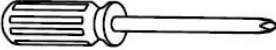
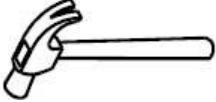

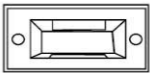
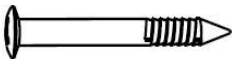


Bedside



Parts List

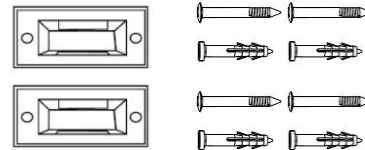
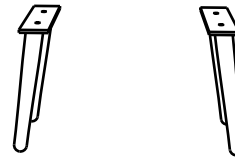
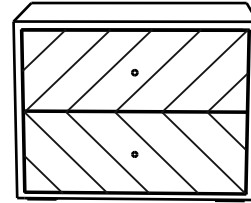
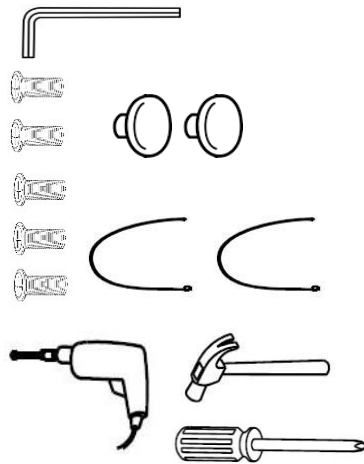
Label	Picture	Description	QTY
A	A line drawing of the drawer part of the bedside table, showing the herringbone pattern and two circular knobs.	Drawer Part	1
B	A line drawing of two legs of the bedside table, showing the top attachment point and the tapered shape.	Legs	2

Hardware

Label	Picture	Description	QTY
①		Bolt (M6x16mm)	5
②		Knob	2
③		Allen Key	1
④		Screwdriver (not provided)	1
⑤		Hammer (not provided)	1
⑥		Power Drill (not provided)	1
⑦		Bracket	2
⑧		Wall Plug Screw	4
⑨		Wall Plug	4
⑩		Restraint Strap	2

Assembly Preparation

Before Beginning Assembly:



- Read instructions, cover to cover-



- Have 2 adults on hand for assembly-



- Do not assemble on flooring or carpet-



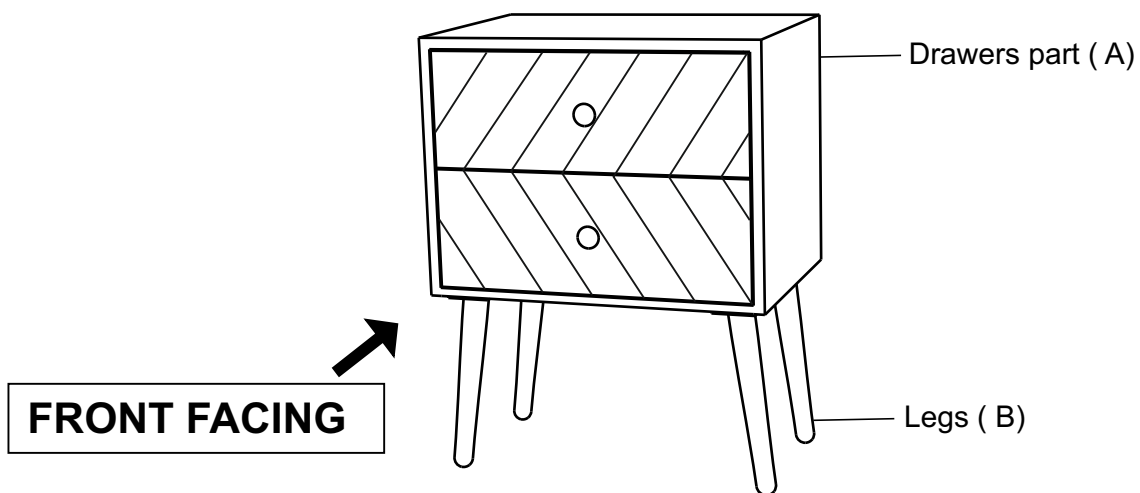
- Assemble on a clean non-marring surface (packing foam)-



- Save all packaging until finished-

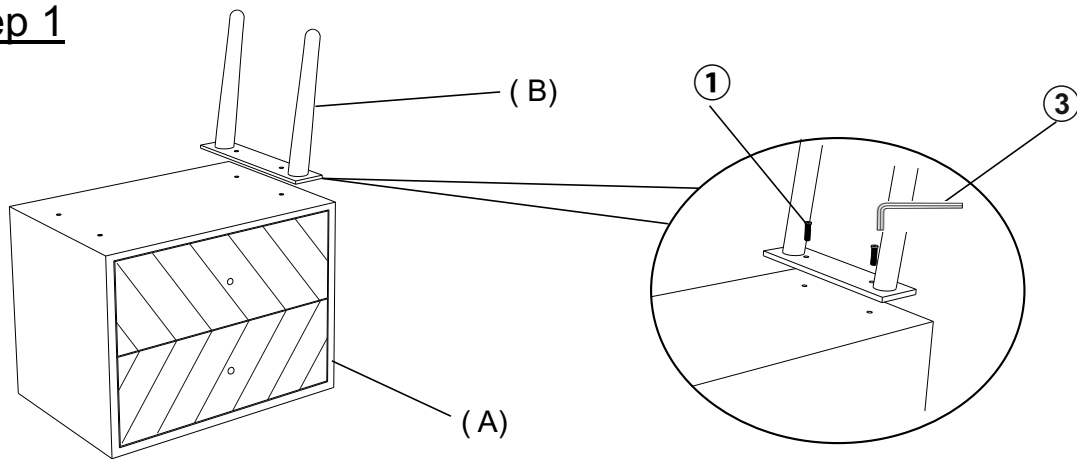
Assembly Steps

Overview



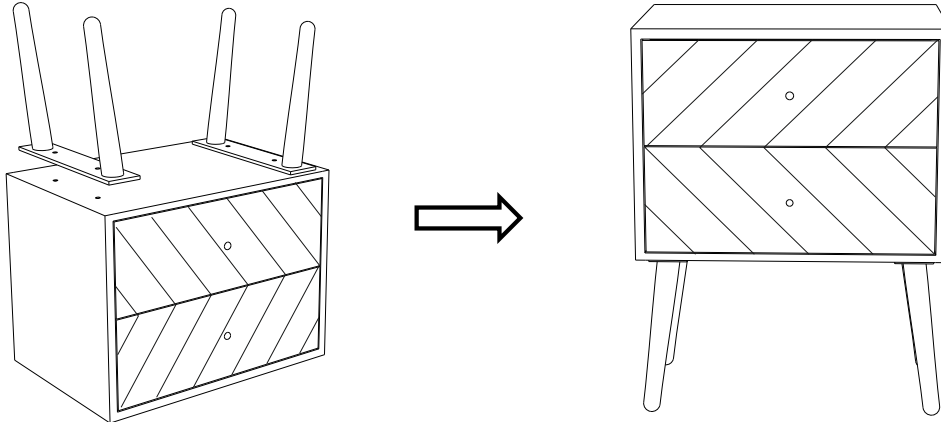
This Bedside has multiple parts and may require up to some 30 minutes to assemble. To give you an overview of the Bedside parts, the above picture is to help you put the various parts into perspective. Please read through the instructions below to familiarise yourself with the parts and steps before assembly.

Step 1



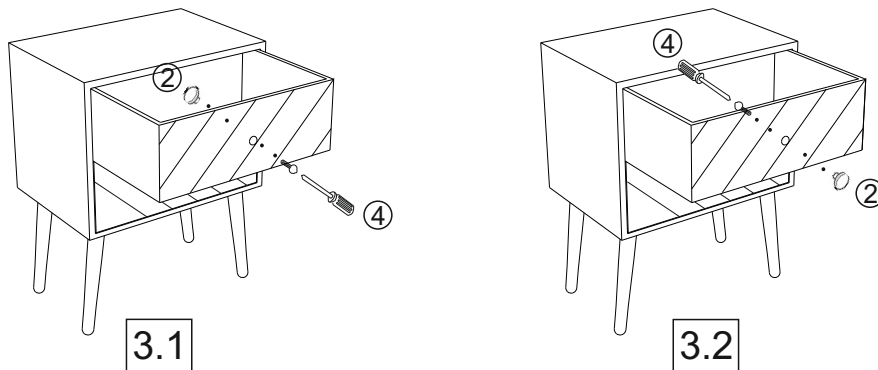
With assistance from your adult partner, place the Bed side Drawer Part (A) upside down as picture, on clean, non-marring surface. As shown in "Step 1" picture Affix the Leg (B) to the Drawer part (A) by using Bolt (1) and Allen Key (3). **Tighten the Bolts fully in a sequential manner.**

Step 2



Repeat "step 1" to assemble another Leg(B) to Drawer part (A). Upon assembly of all the legs, flip the Bedside as shown in above picture.

Step 3



With help of your adult partner, carefully stand the cabinet:

3.1 Put out the drawer and deassemble the knob(2) with the help of Screw driver (4).

3.2 Install the knob(2) on the drawer with the help of Screwdriver(4) as picture above.

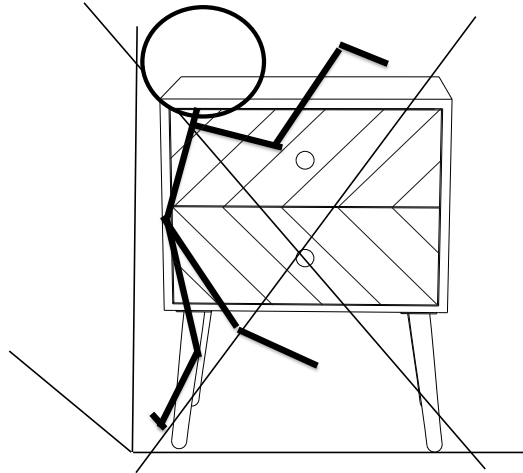
3.3 Repeat the above step to put knob (2) for the other drawer also.

Tipover Restraint Device Installation Instructions



WARNING

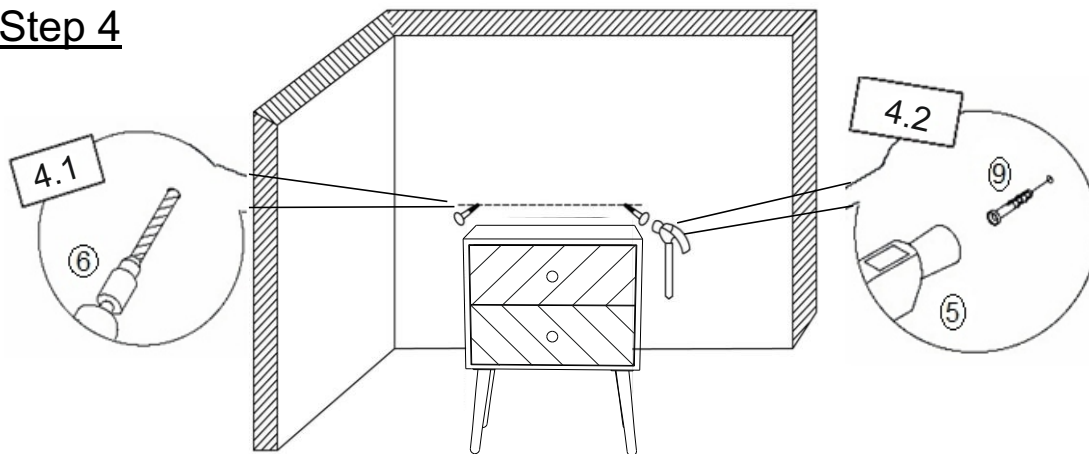
Serious or fatal crushing injuries can occur from tipping furniture. To help prevent tip-over: ALWAYS secure this furniture to the wall using Tipover Restraint Device. See product instructions for more ways to help prevent furniture tip-over.



Usage For Tipover Restraint Device:

To secure Bedside against wall, attach two Brackets (7) on wall and product, use Tipover Restraint Strap (10) to connect the Brackets (7).

Step 4



4.1) Drill two holes on wall at same height as Brackets (7) on Bedside rest with Power Drill (6)

You can mark these points in two ways as below:

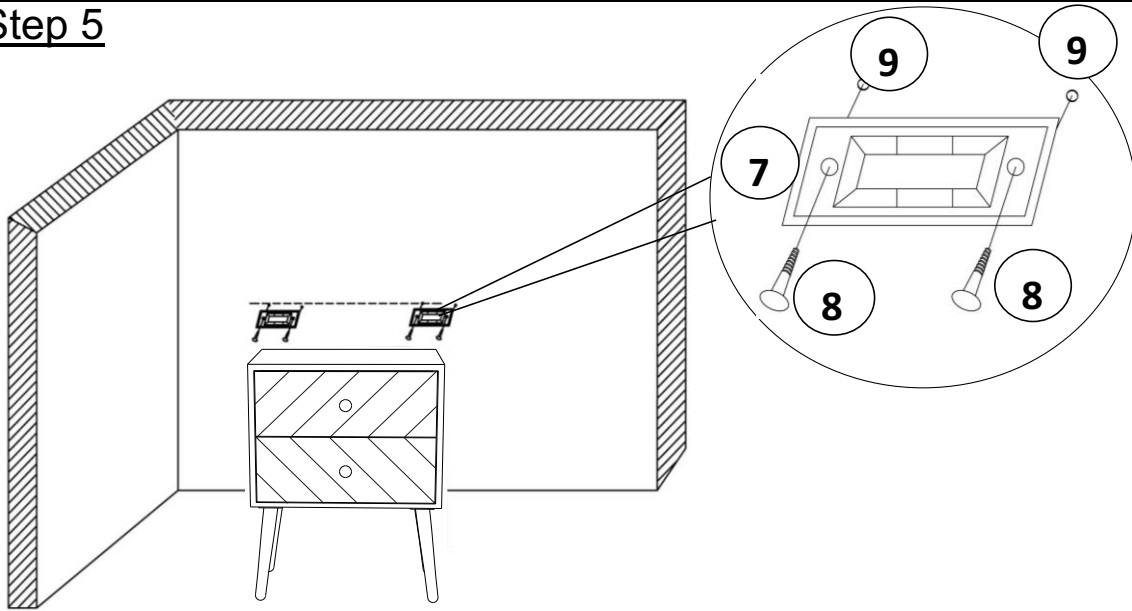
1) Move the Bedside rest back to the wall. Mark two points same height as Bedside rest on the wall.

Note: The Brackets need to be secured to solid, load bearing surface. Please use a Stud Finder(not supplied) if needed to locate the Wall Frame.

2) Measure the height of the Brackets (7) with ruler/measuring tape and mark on wall to keep them accurate and same height.

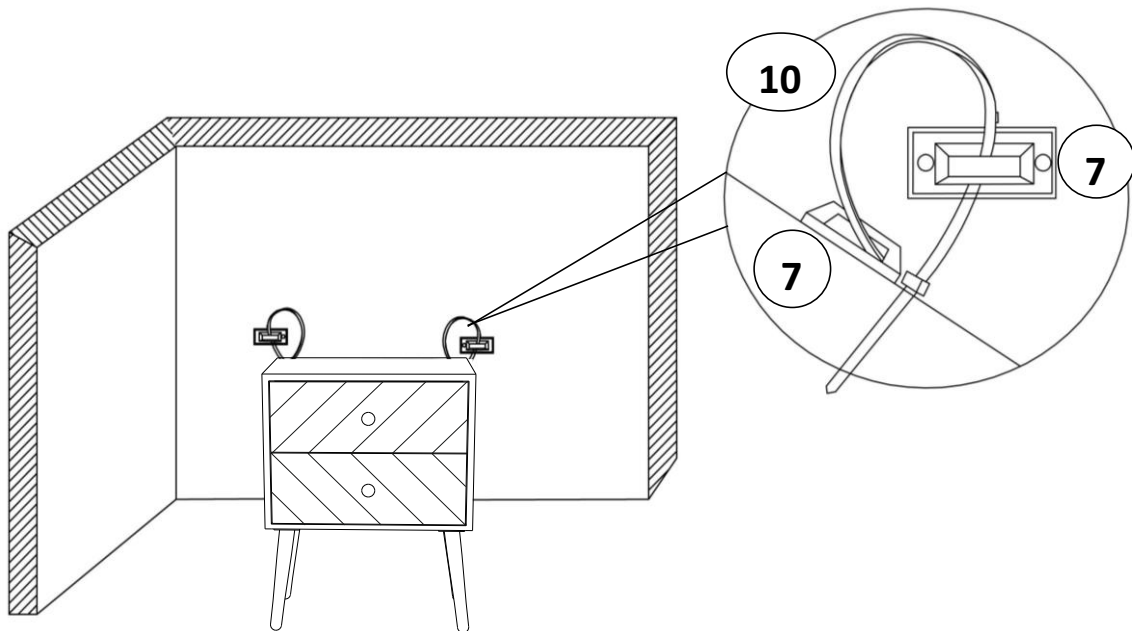
4.2) Insert Wall Plugs (9) into drilled holes on wall with Hammer (5).

Step 5



Attach Brackets (7) to Wall Plugs (9) using Wall Plug Screws (8) with Screwdriver (4).

Step 6














Move bed side to the wall.

Pull the Restraint Straps (10) through the Brackets (7) on the wall and Bedside one by one, and pull the Restraint Straps (10) tight.

This Bedside is now ready to use.

Caution: This Bedside can only be used on flat, level surface.

Care & Maintenance

	iñ	Furniture may scratch floors. We recommend using furniture pads to protect your floors.
	iñ	Do not put hot items directly on furniture surface.
	iñ	Do not clean furniture with harsh cleansers or polish.
	iñ	Do not place furniture under direct sunlight.
	iñ	Do not place furniture near heating or cooling vents.
	iñ	Do not write on furniture without a padded barrier to protect the surface.
	iñ	Do not place furniture outside . For indoor use only.
	iñ	Not for commercial use. For residential use only.
	iñ	Stains may be removed with mild soap solution and damp cloth.
	iñ	Children should not climb or jump on the furniture.
	iñ	Dust and pick-up spills using a clean, non-colored, lint-free cloth.