

# *ASSEMBLY INSTRUCTIONS*



*Fine Furniture for every stage of life*

***END TABLE***

REVISION 0 : 09/12/2017  
REVISION 1 : 11/09/2022  
REVISION 2 : 11/14/2024

PAGE 1 OF 5

# ASSEMBLY INSTRUCTIONS

## ASSEMBLY TIPS:

1. Remove hardware from box and sort by size.
2. Please check to see that all hardware and parts are present prior to start of assembly.
3. Please follow attached instructions in the same sequence as numbered to assure fast & easy assembly.




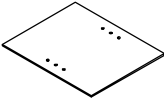
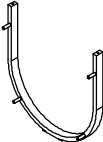

### WARNING!

1. Don't attempt to repair or modify parts that are broken or defective. Please contact the store immediately.
2. This product is for home use only and not intended for commercial establishments.









ASSEMBLY TIME 28 MINUTES

## PARTS IDENTIFICATION

A	TOP GLASS		1PC
B	BOTTOM HALF MIRROR		1PC
C	SUPPORT FRAME		2PCS
D	CROSSBAR		4PCS

## HARDWARE IDENTIFICATION

1	BOLT (5/16" x 25mm)		6PCS	4	PLASTIC WASHER (5/16")		6PCS
2	SHORT BOLT (3/16" x 8mm SR)		8PCS	5	SUCTION CUP (ø8mm)		4PCS
3	WASHER (5/16")		6PCS	6	FOOT PAD (ø40 x 15mm)		4PCS

# ASSEMBLY INSTRUCTIONS

7 SPRING WASHER  
(5/16")



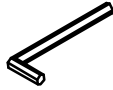
6PCS

9 SMALL ALLEN WRENCH  
(4mm)



1PC

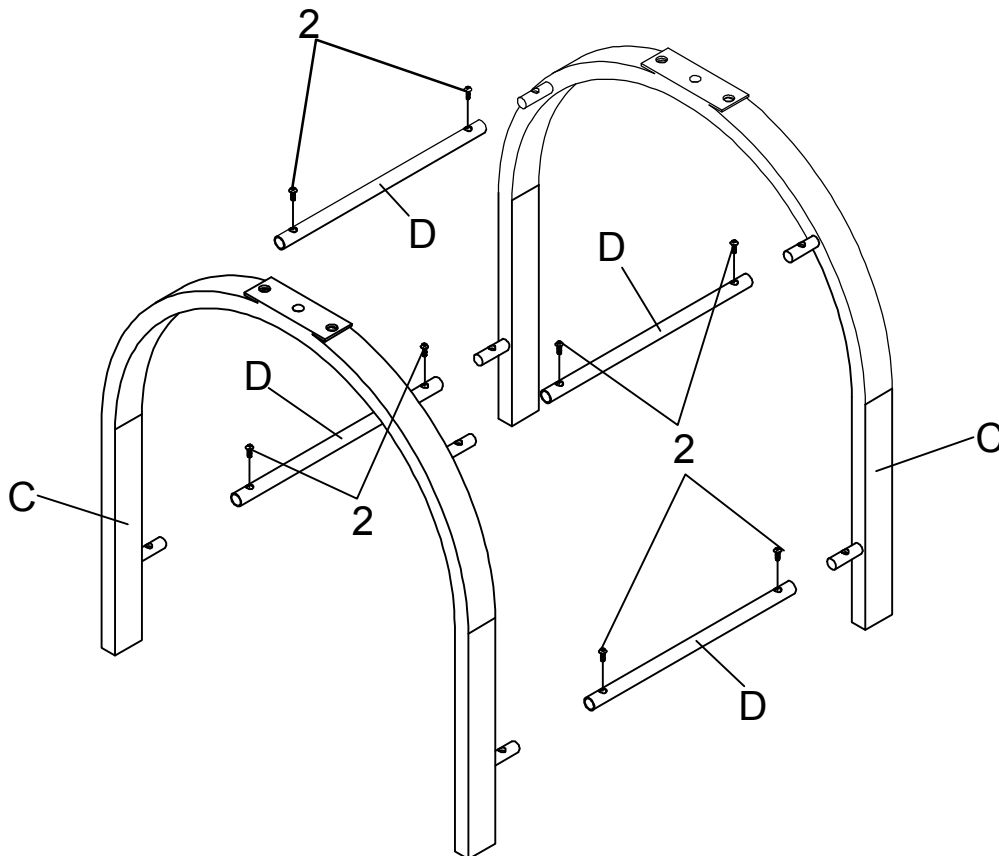
8 LARGE ALLEN WRENCH  
(5mm)



1PC

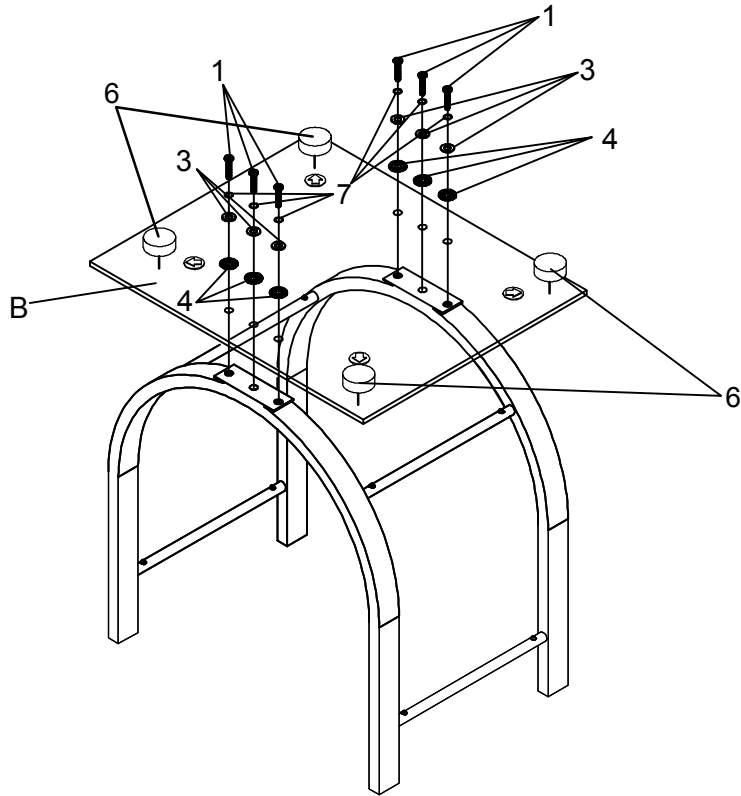
## STEP 1

Do not tighten until each step is completed or instructed.

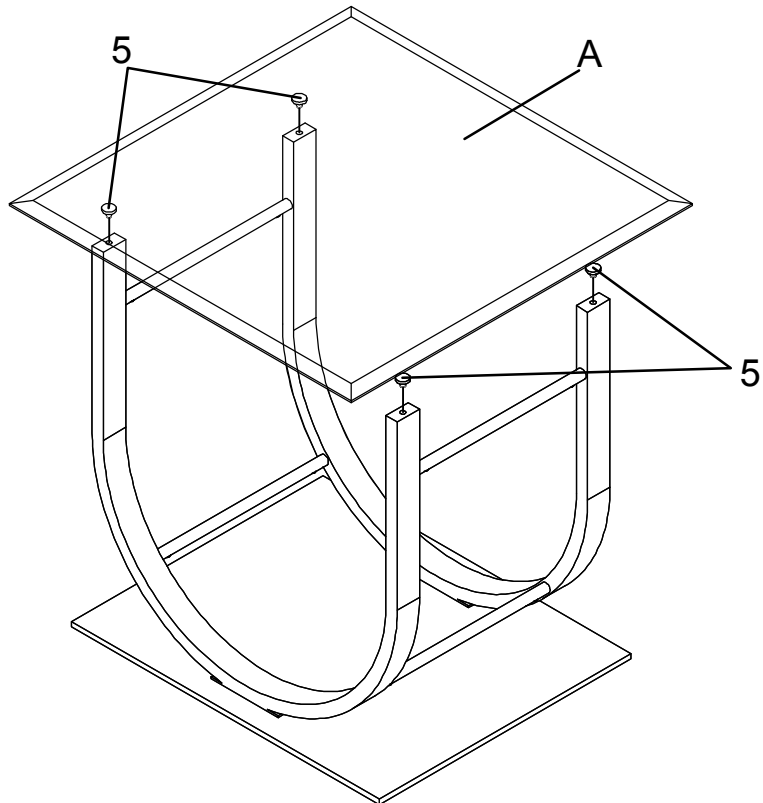


# ASSEMBLY INSTRUCTIONS

## STEP 2



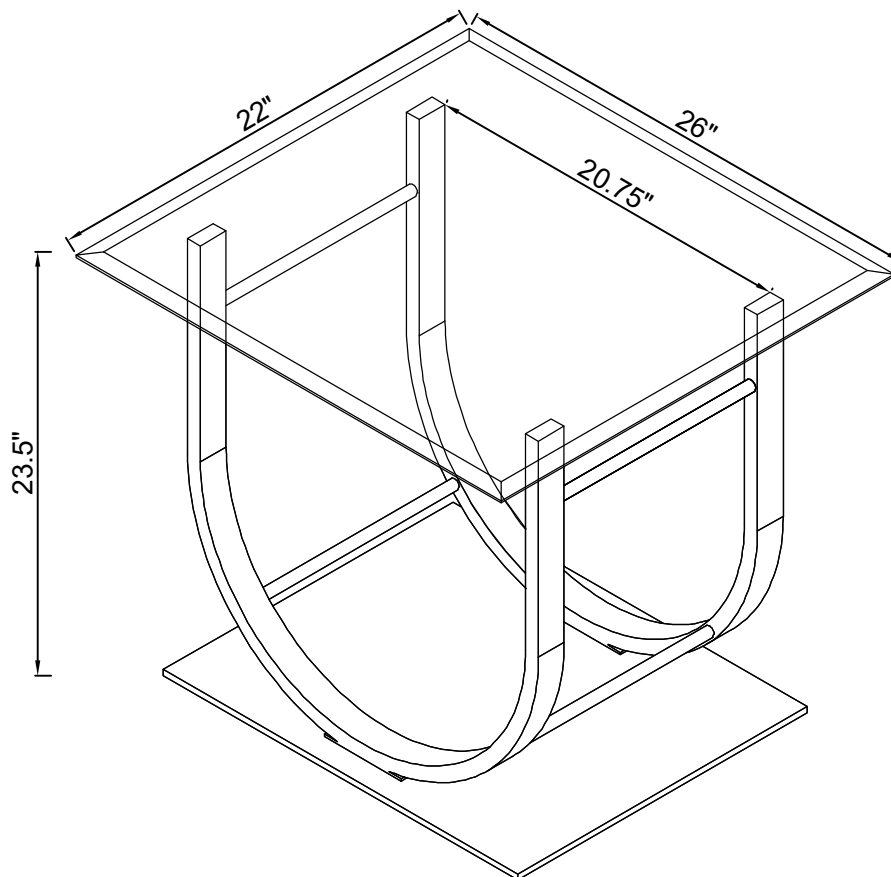
## STEP 3



# ASSEMBLY INSTRUCTIONS

**Product Size : 660 X 559 X 596 H (MM)**

**Product Size : 26" X 22" X 23.5"**



Note : Dimension tolerance  $\pm 5\%$