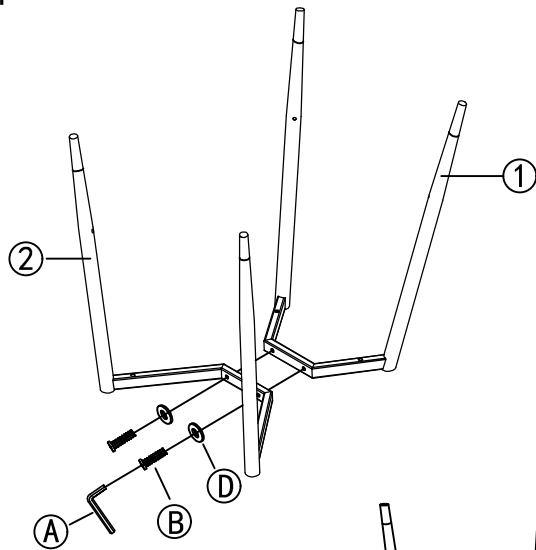
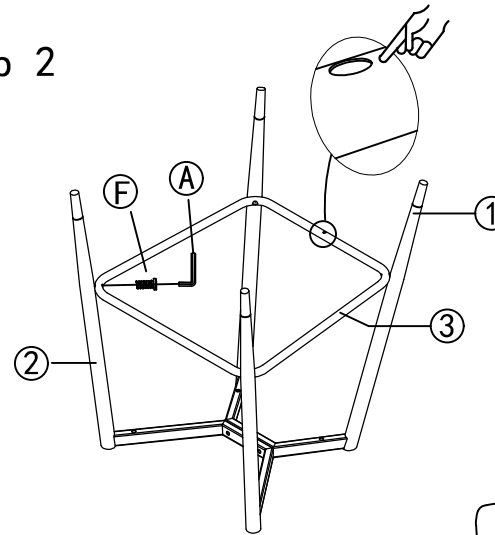


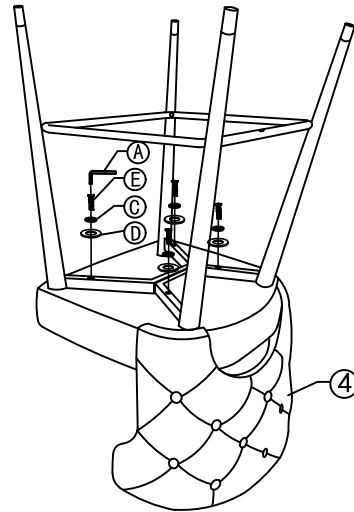
Step 1



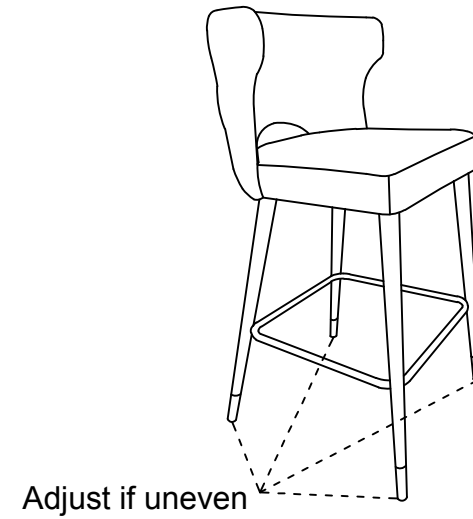
Step 2



Step 3



Step 4



WARNING : Assembly all the bolts then tighten one by one.

	1	2	3	4	A	B	C	D	E	F
6791	back	front								
			1pc	1pc	4.0	M6*35	Ø13	Ø16*Ø6	M6*45	M6*20
			1pc	1pc	1pc	2pcs	4pcs	6pcs	4pcs	4pcs