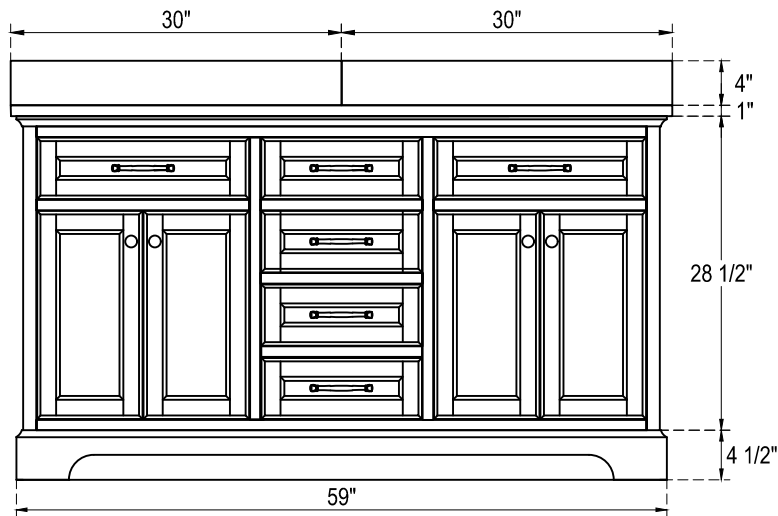
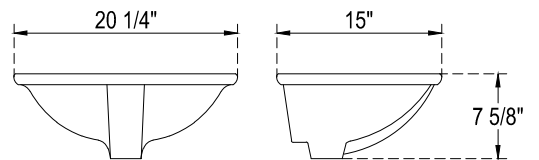
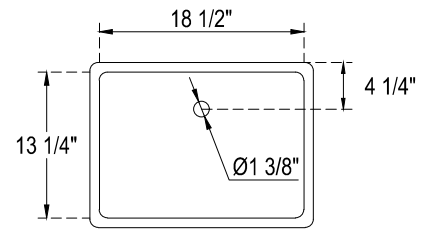
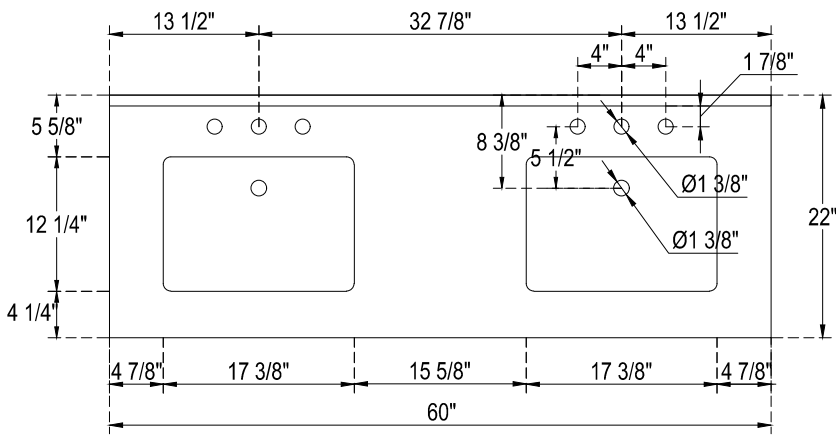


# SPECIFICATIONS



Handle :  
Overall length : 5" 5/8" (144mm)  
center to center : 5" (128mm)

