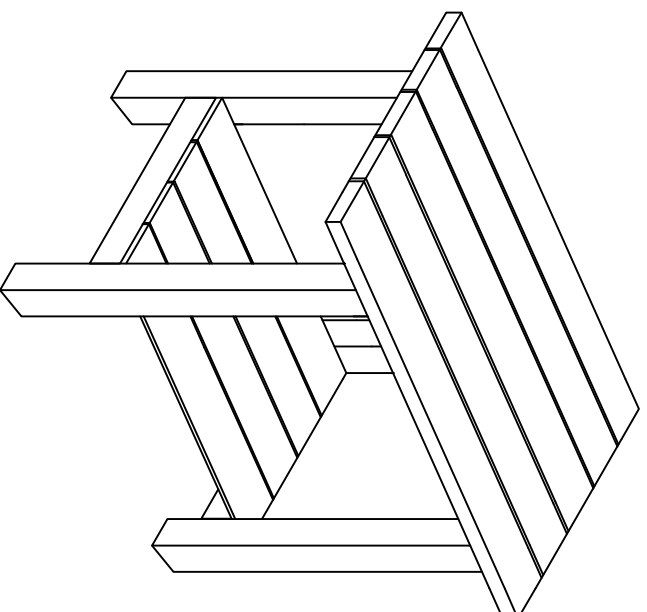


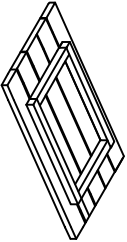
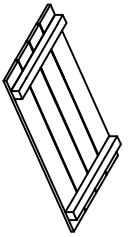
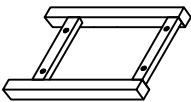
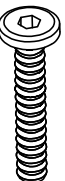
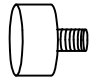

JONATHAN Y

MODEL#END6001

Product Dimension: 13"D x 16.1W x 16.7"H




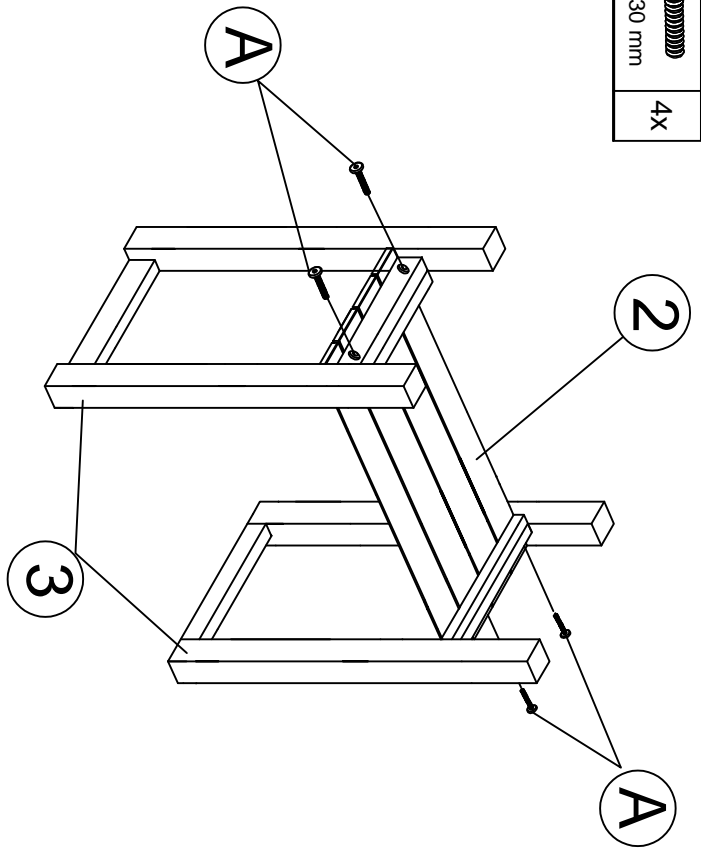
Part List and Hardware List

1	Face Cluster 1		1x
2	Face Cluster 2		1x
3	Legs		2x
A	Screw	 M6x30 mm	8x
B	Foot Cap		4x
C	Allen Key	 M4	1x

If there are any questions relating to defects, missing parts, assembly issues or replacements, please send a detailed email to [cs@jonathany.com](mailto:cs@jonathany.com).

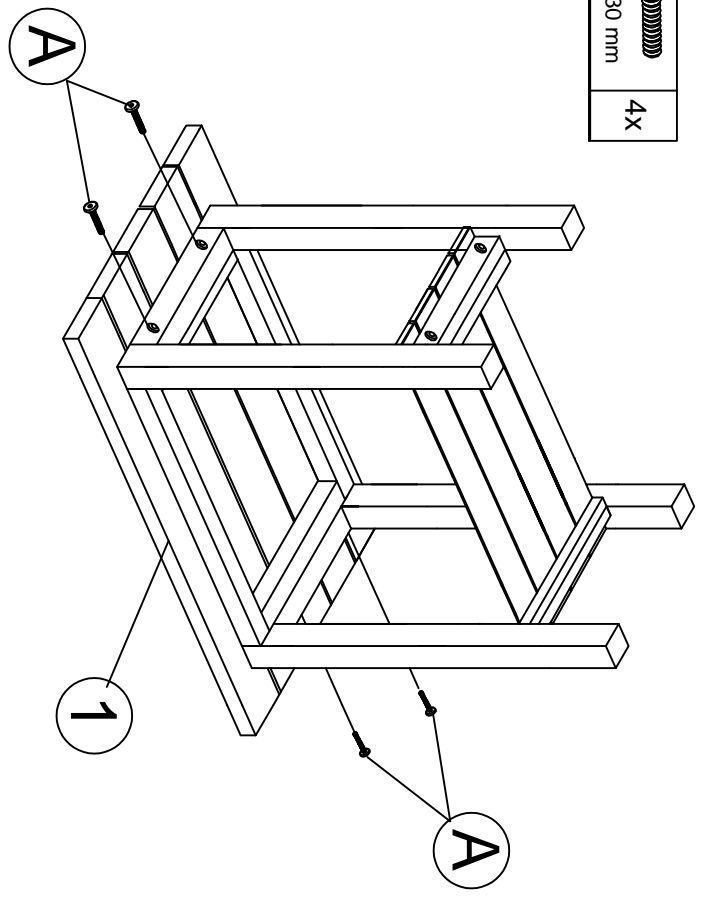
1

(A)		4X
M6x30 mm		

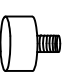


2

(A)		4X
M6x30 mm		



3

(B)		4X
-----	---	----

