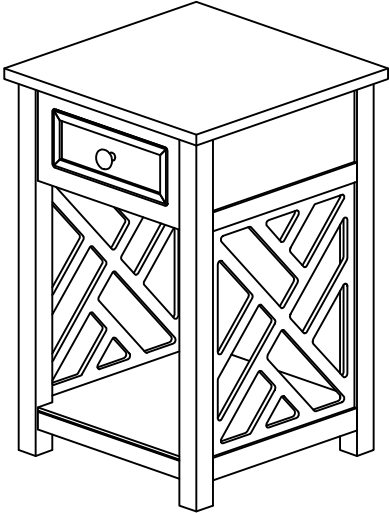
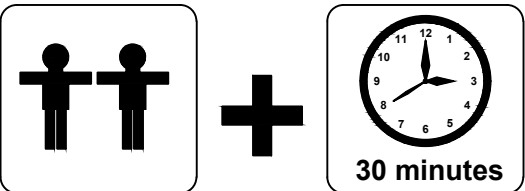


ASSEMBLY INSTRUCTION

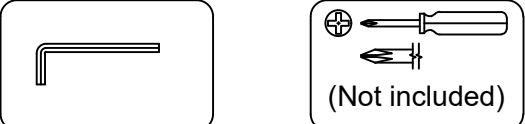


. Use of power tool to assemble this product will invalidate any claim and damage this product making it unsafe !!!
. Please assemble on a clean soft surface to avoid damage.



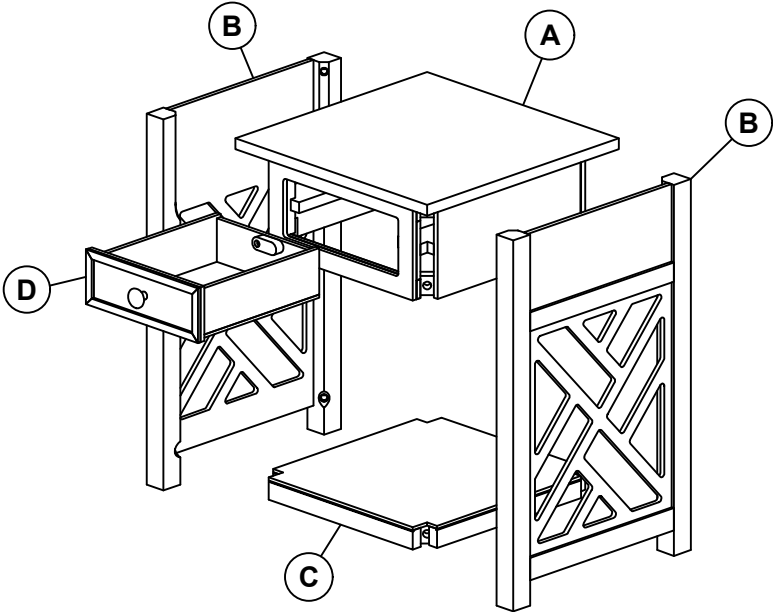
30 minutes

Tools Required




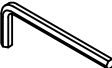
(Not included)

Part list - End Table

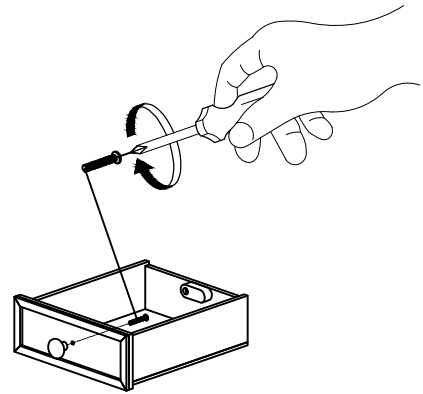
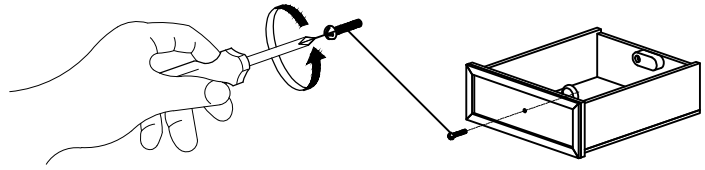
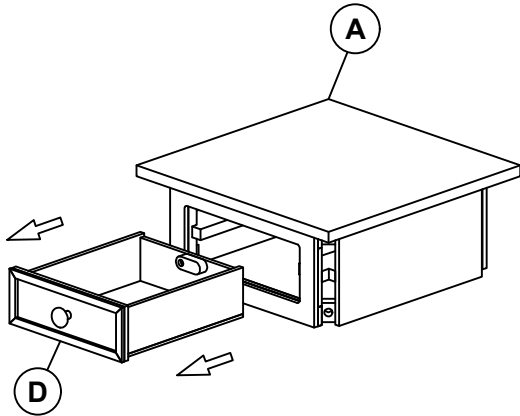
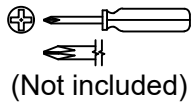


Identifying the hardware-Identify the hardware using the illustrations below

E  **12**
M6x45MM BOLT


F  **01**

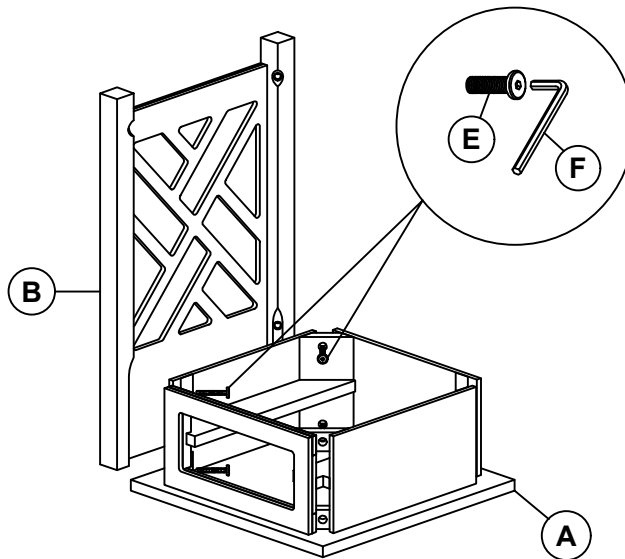
Step 01



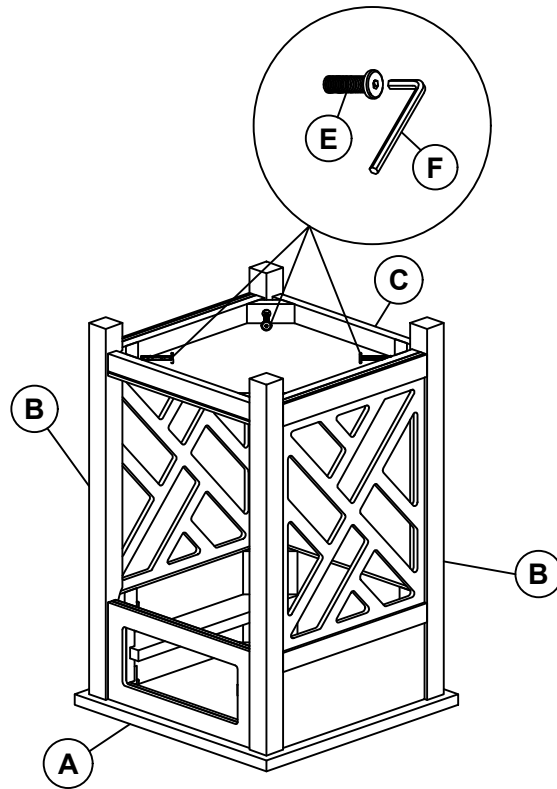
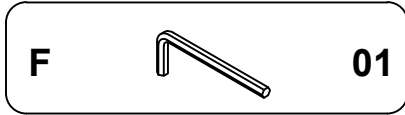
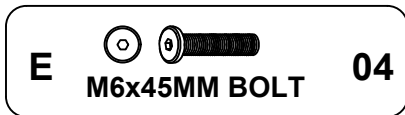
Step 02

E  **08**
M6x45MM BOLT

F  **01**



Step 03



Step 04

