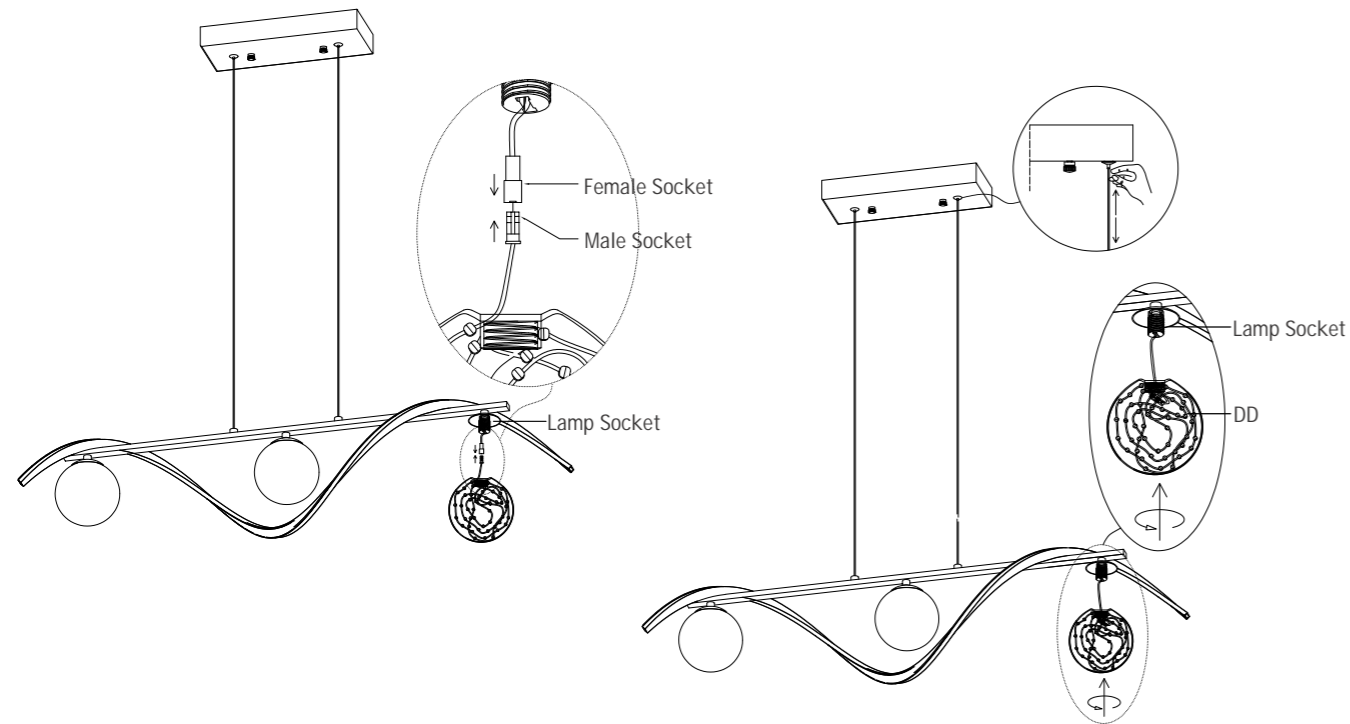


5. MOUNTING AND WIRING

Step 1. Connect the Male Socket of the Lamp Shade (D) to the Female Socket of the Lamp Socket.

Step 2. Attach the Lamp Shades (DD) to the Lamp Socket.

Step 3. Adjust the length of the Hanging Wire by pressing the Wire Locker to balance the lamp body.

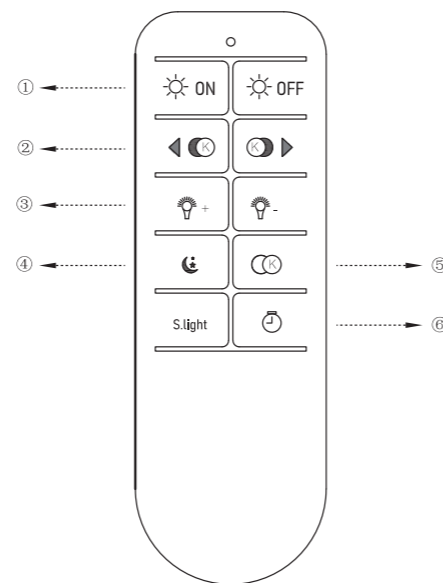


REMOTE CONTROL INSTRUCTIONS

NOTE:

Please insert 2 batteries before using. AAA 1.5V battery x 2pcs (not included)

- ① Turn on/off the light.
- ② Adjust the light color temperature.
- ③ Adjust the brightness of the light.
- ④ Night mode, dim the lights.
- ⑤ Quick switch of the light color: warm white->cool white->daylight white.
- ⑥ 30mins/1H for timing the light. (Press the first time, indicator light blinks to indicate 30 minutes; press the second time, the indicator light blinks twice to indicate 60 minutes; press the ON key to cancel the timer.)



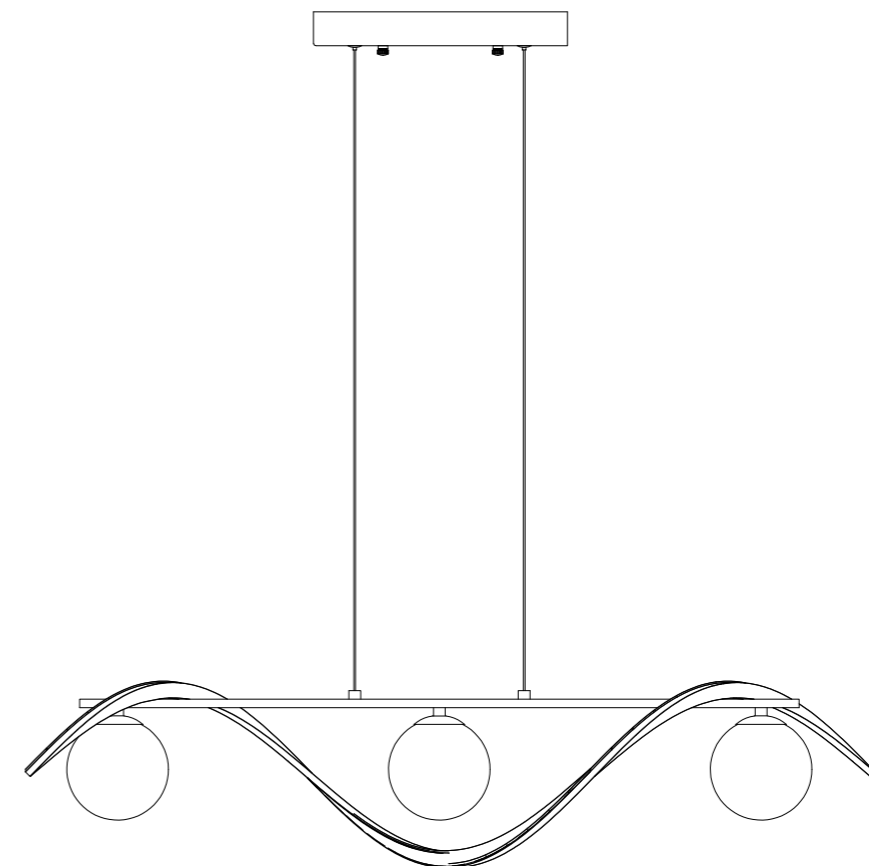
REMOTE SIGNAL PAIRING:

If the remote control loses signal of the fan, press and hold the button ① at the very beginning after it's turned on from wall switch. After the light flashes or beeps, it's done.

INSTALLATION MANUAL

CHANDELIER

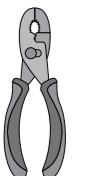
Model No.: LH-387BR-4A



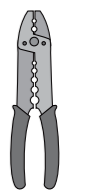
TOOLS REQUIRED



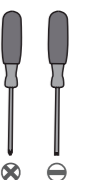
Ladder



Pliers

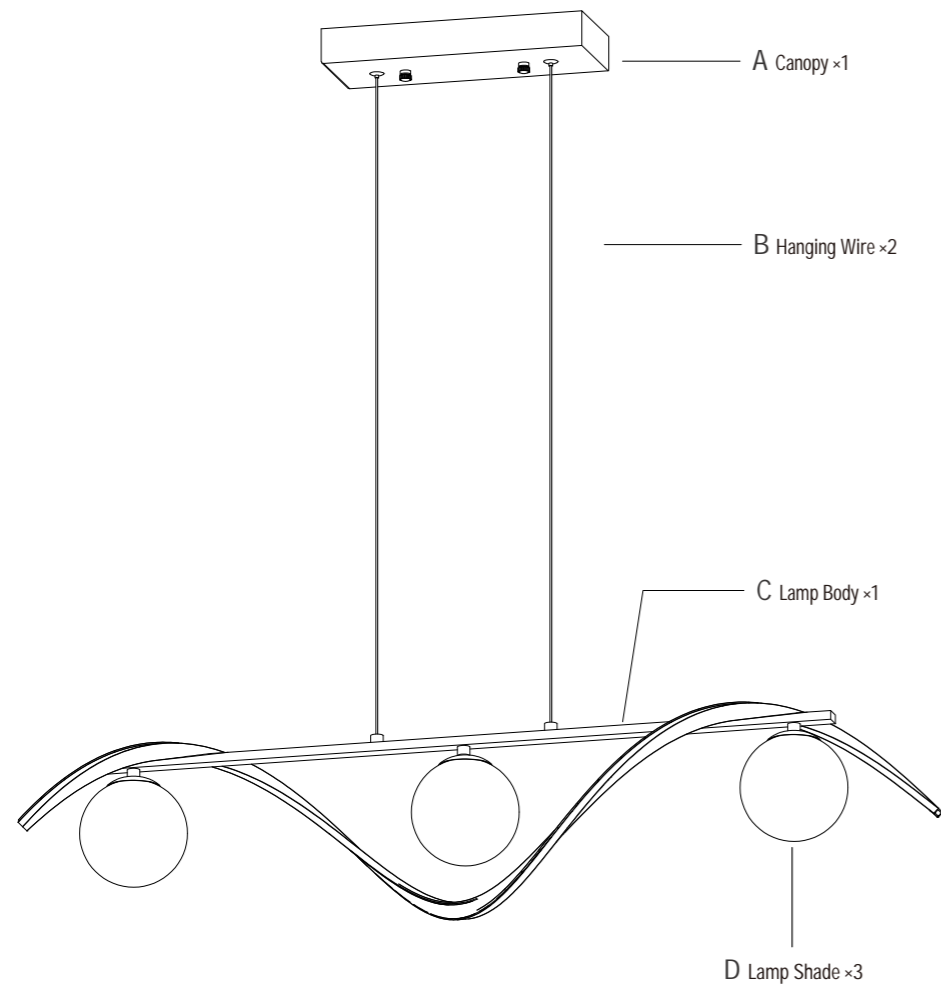


Wire Strippers



Screwdrivers

1. PACKING LIST



2. INSTALLATION KIT

| | | | |
|-----------------------------|-------------------------------------|---------------------------|-------------------------------------|
| AA Wire Nut 3x | BB Outlet Box Screw 2x | CC Gloves 1x | DD Mounting Bracket 1x |
| EE Cap Nut 2x | FF Wood Screw 2x | GG Washer 2x | HH Plastic Anchor 2x |

Note:

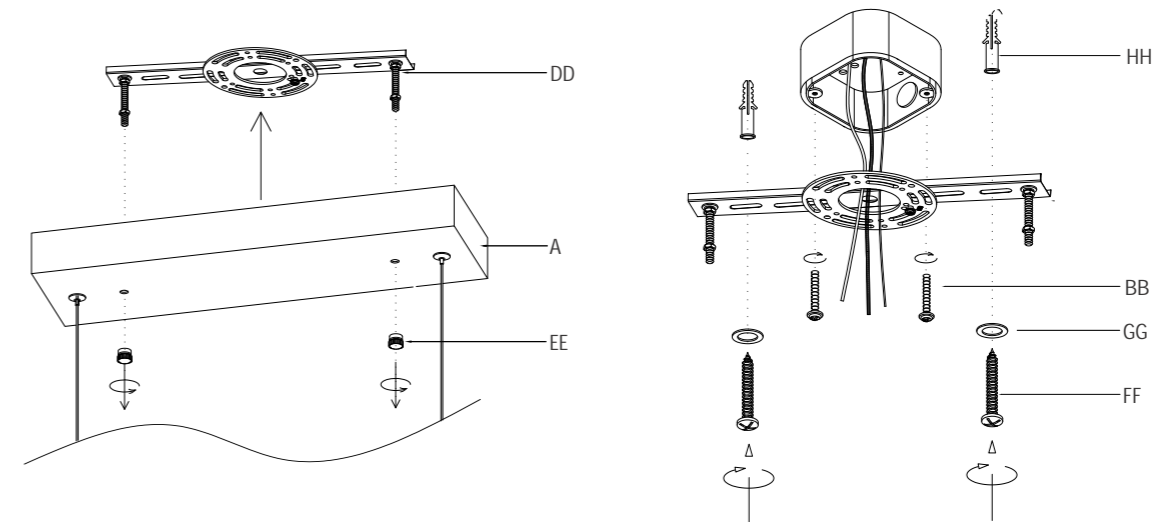
1. Some extra hardware may be included. The quantity listed above is the number required for installation.
2. Parts "DD , EE" have already been pre-installed together with canopy.

3. FIXTURE ASSEMBLY

Step 1. Loosen the Cap Nut (EE) from Canopy, take out the Mounting Bracket (DD).

Step 2. Take off the screws from Outlet box, secure the Mounting Bracket onto the box with screws taken off or Outlet Box Screw (BB) provided.

Step 3. Secure the other Mounting Bracket on the Ceiling with Wood Screw (FF) with Washer (GG) and Plastic Anchor (HH).



4. INSTALLING THE BRACKET

Step 1. Connect the wires from the fixture to the house supply wires with wire nuts (AA), ground wire (bare copper) to ground wire , neutral wire (white) to neutral wire, hot wire (black) to hot wire. Wrap the connection with electrical tape.

Step 2. Secure the Canopy on the Mounting Bracket (DD) with Cap Nut (EE).

