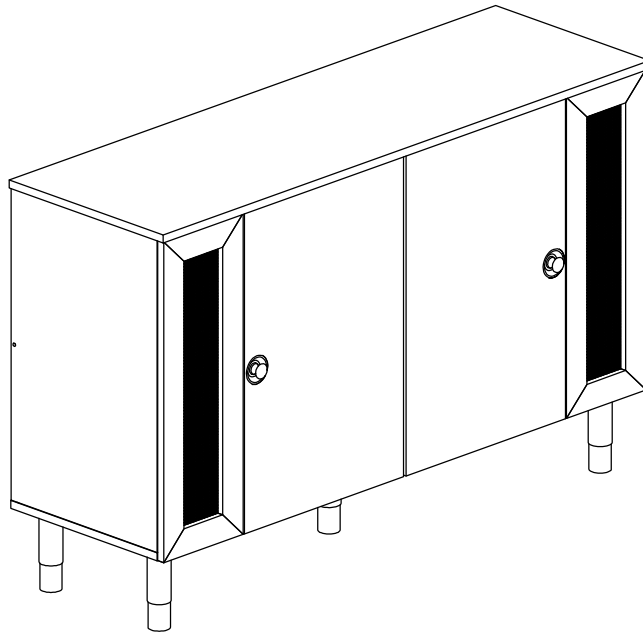
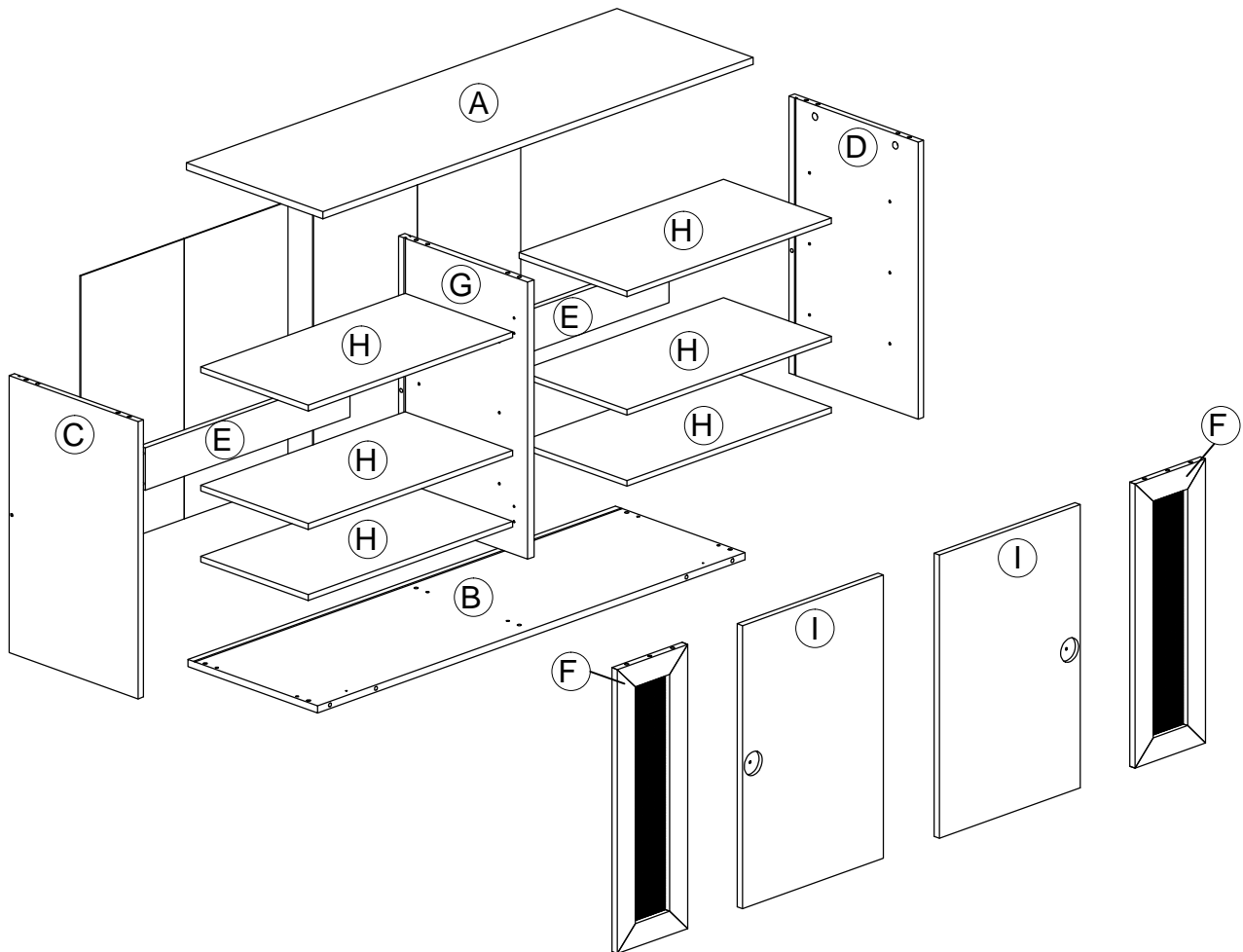


Assembly Instruction



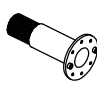
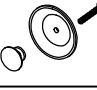
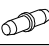
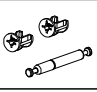
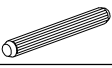

PART LIST



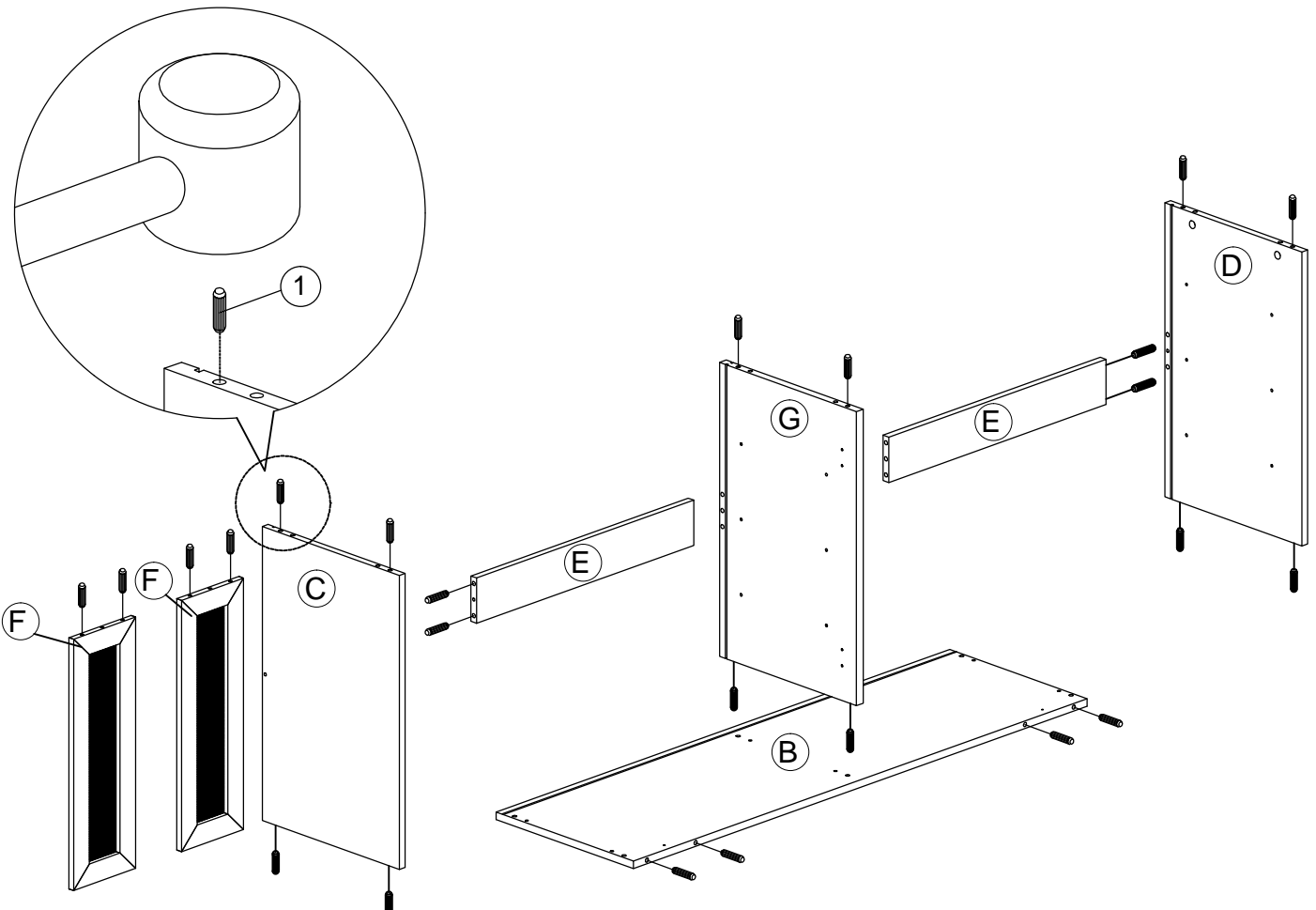
Assembly Instruction

Hardware List

No.	SHAPE	DESCRIPTION	Qty.
1		8x25mm Wood Dowel	24 Pcs
2		15MM Myfix Minifix	8 Sets
3		TP 10#x1/2" Screw	16 Pcs
4		M3x16mm Screw	8 Pcs
5		M3.5x15mm Screw	24 Pcs
6		M5x40mm Screw	8 Pcs
7		L Bracket	2 Pcs
8		Z Bracket (Big)	4 Pcs
9		Screw Cap	2 Pcs
10		Hinges (F012)	4 Sets

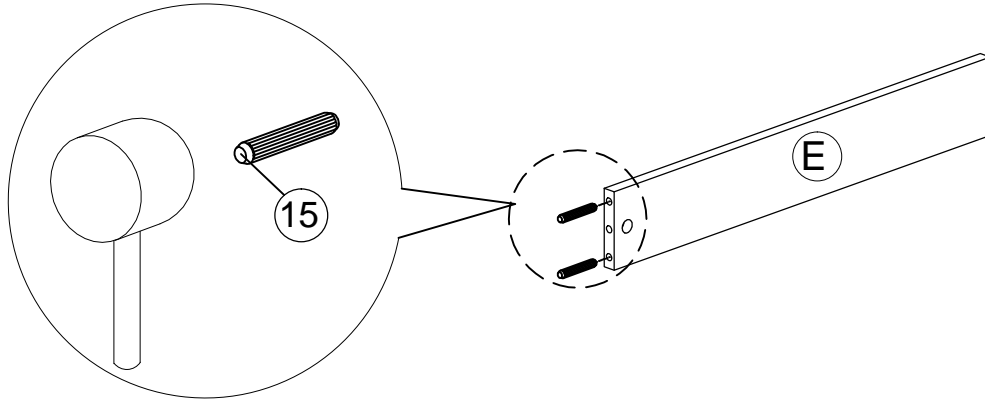
11		OS-2018-LEG (BLACK)	5 sets
12		Handle OS-9200 & 9201 M3.6x22mm Screw	2 Sets
13		Shelf Support	24 Pcs
14		15MM (DOUBLE) (63mm) Myfix Minifix	1 Set
15		8x50mm Wood Dowel	2 Pcs
16		2 PIN STOPPER	2 Pcs

STEP 1

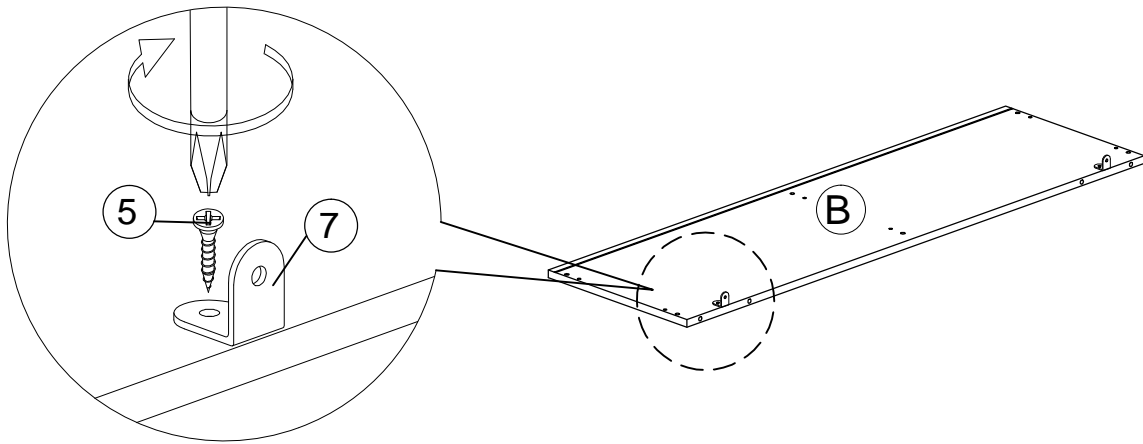


Assembly Instruction

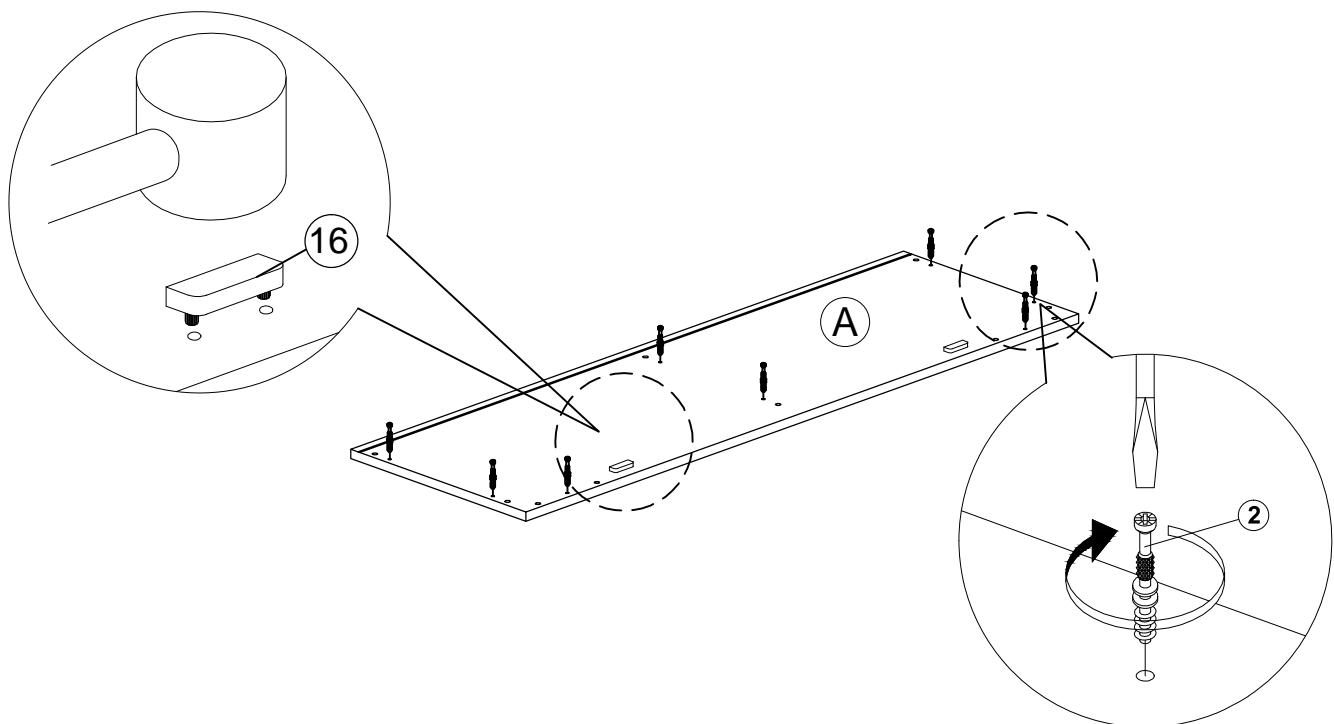
STEP 2



STEP 3

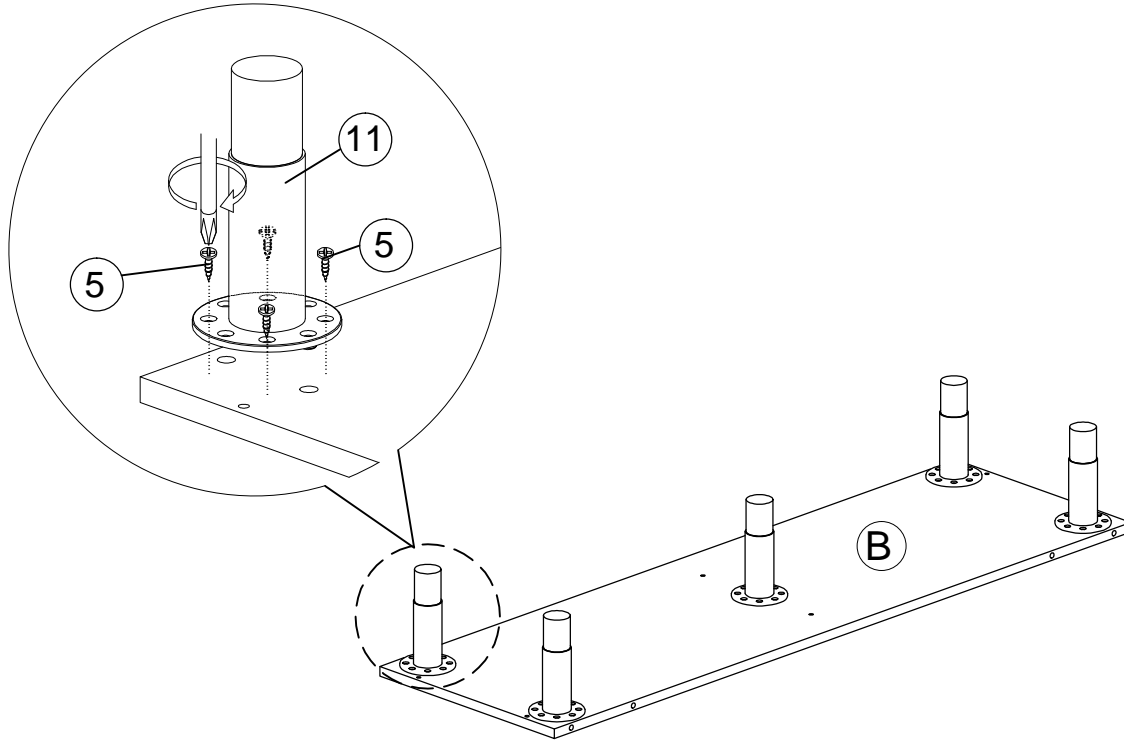


STEP 4

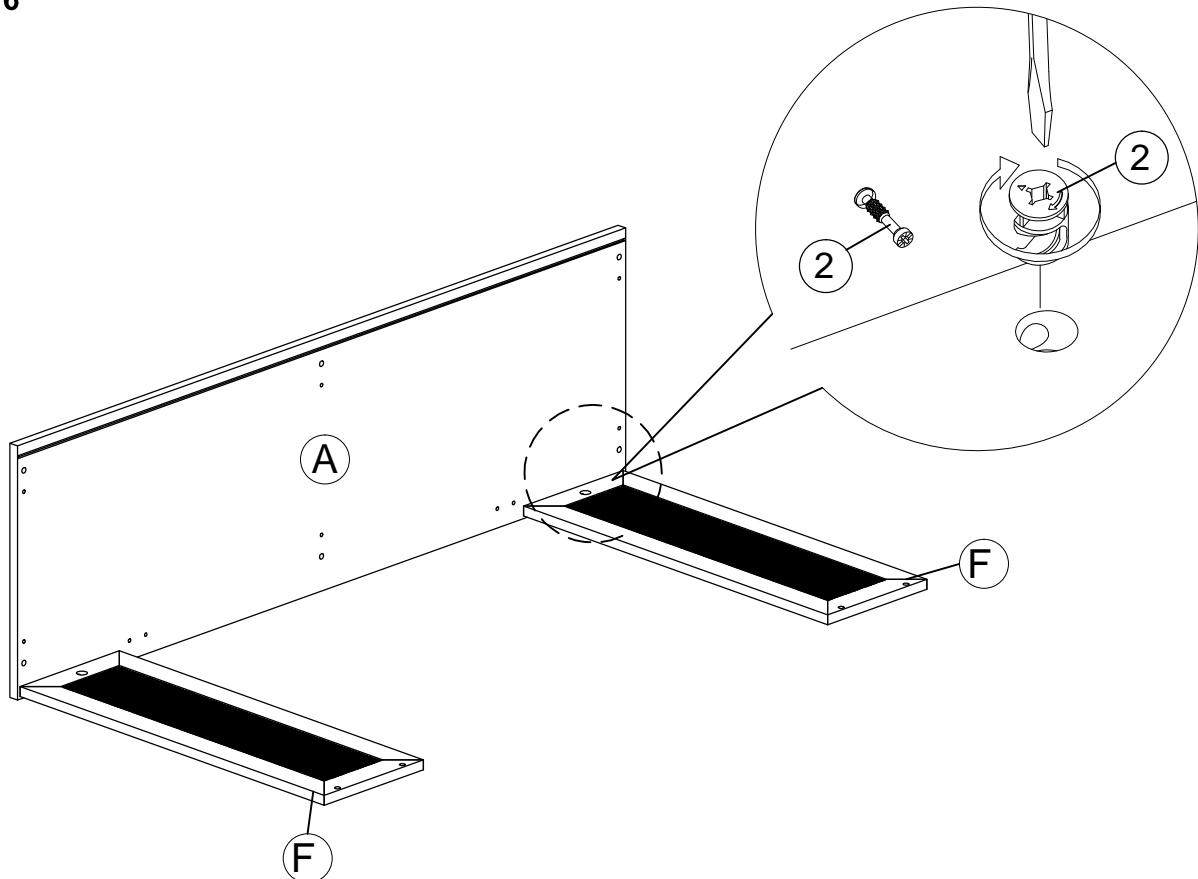


Assembly Instruction

STEP 5

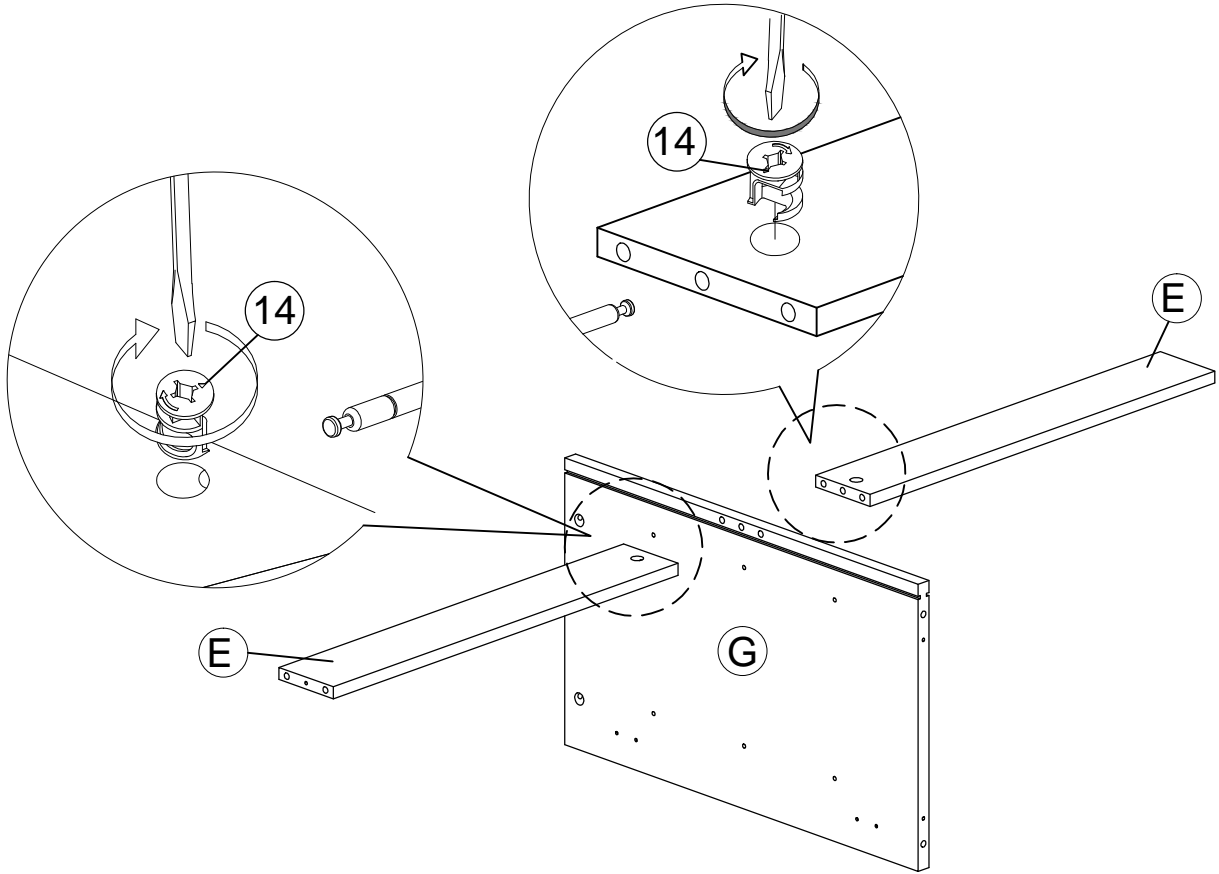


STEP 6

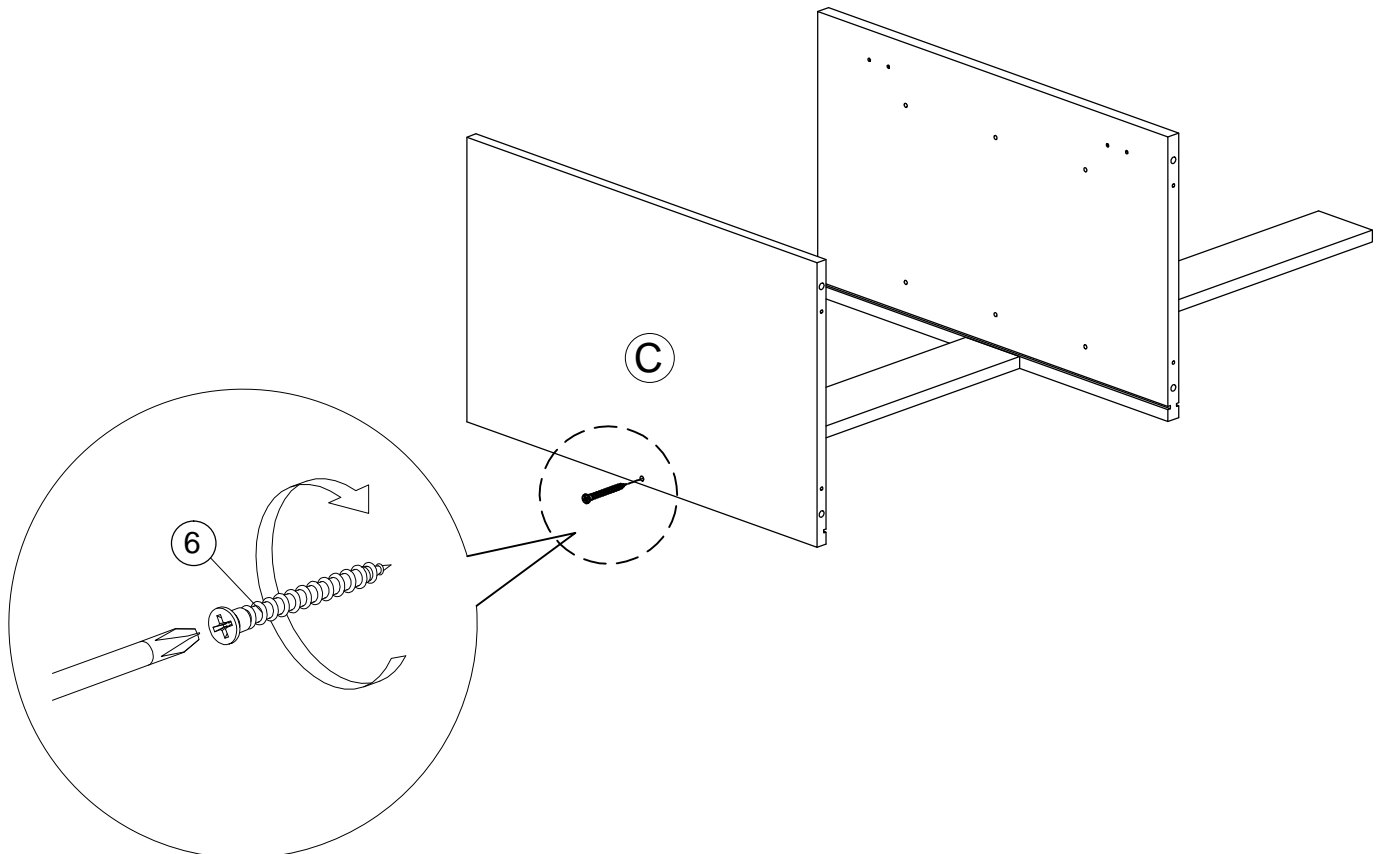


Assembly Instruction

STEP 7

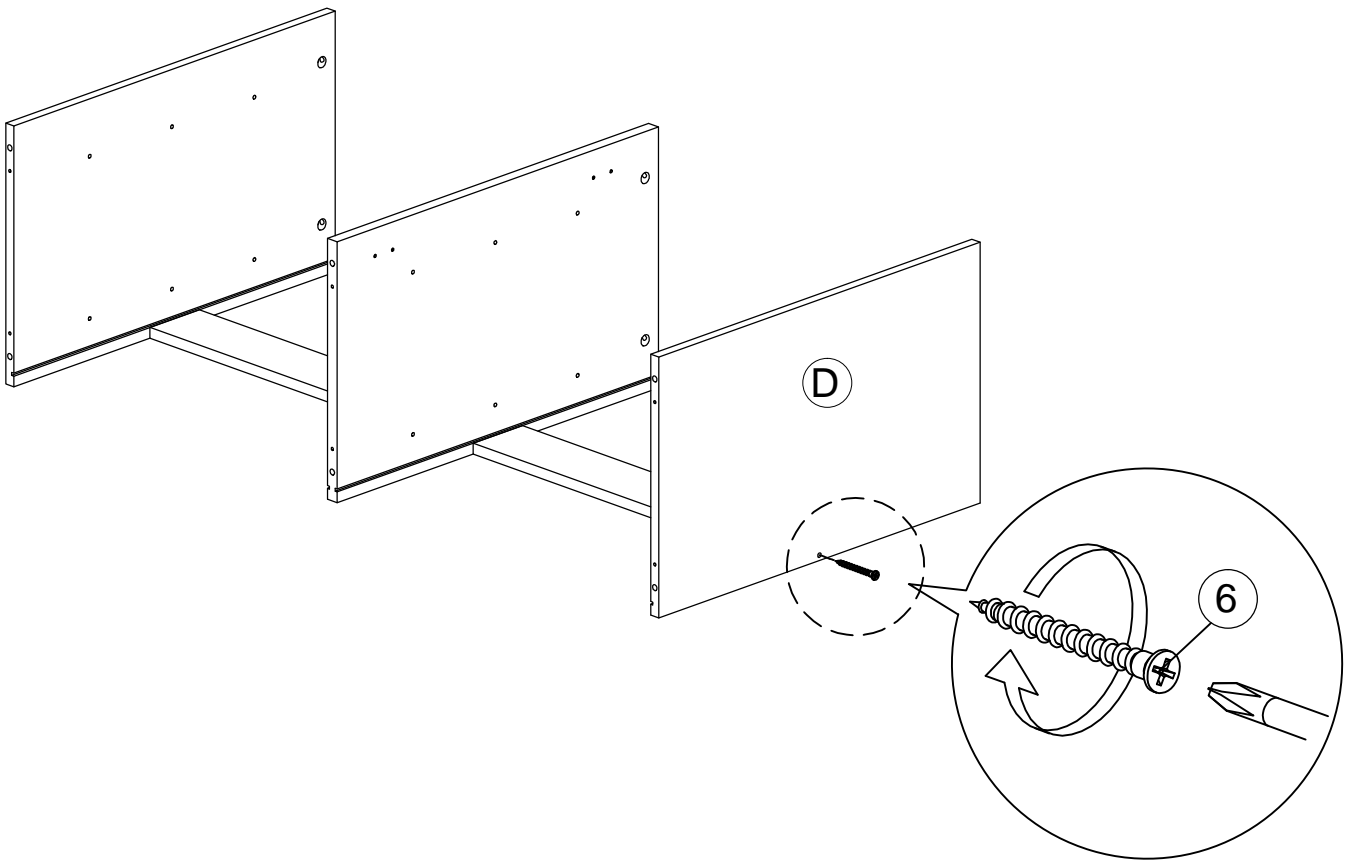


STEP 8

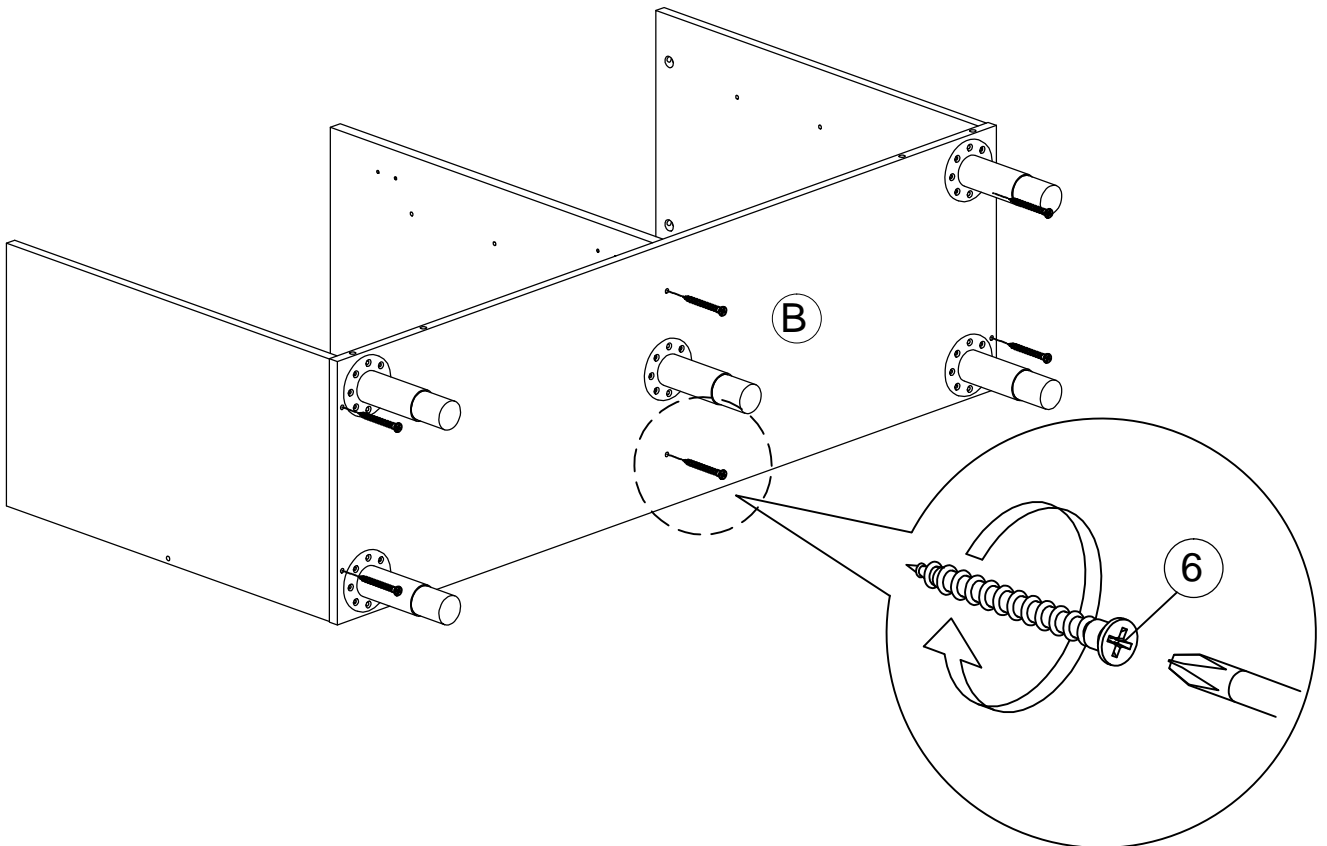


Assembly Instruction

STEP 9

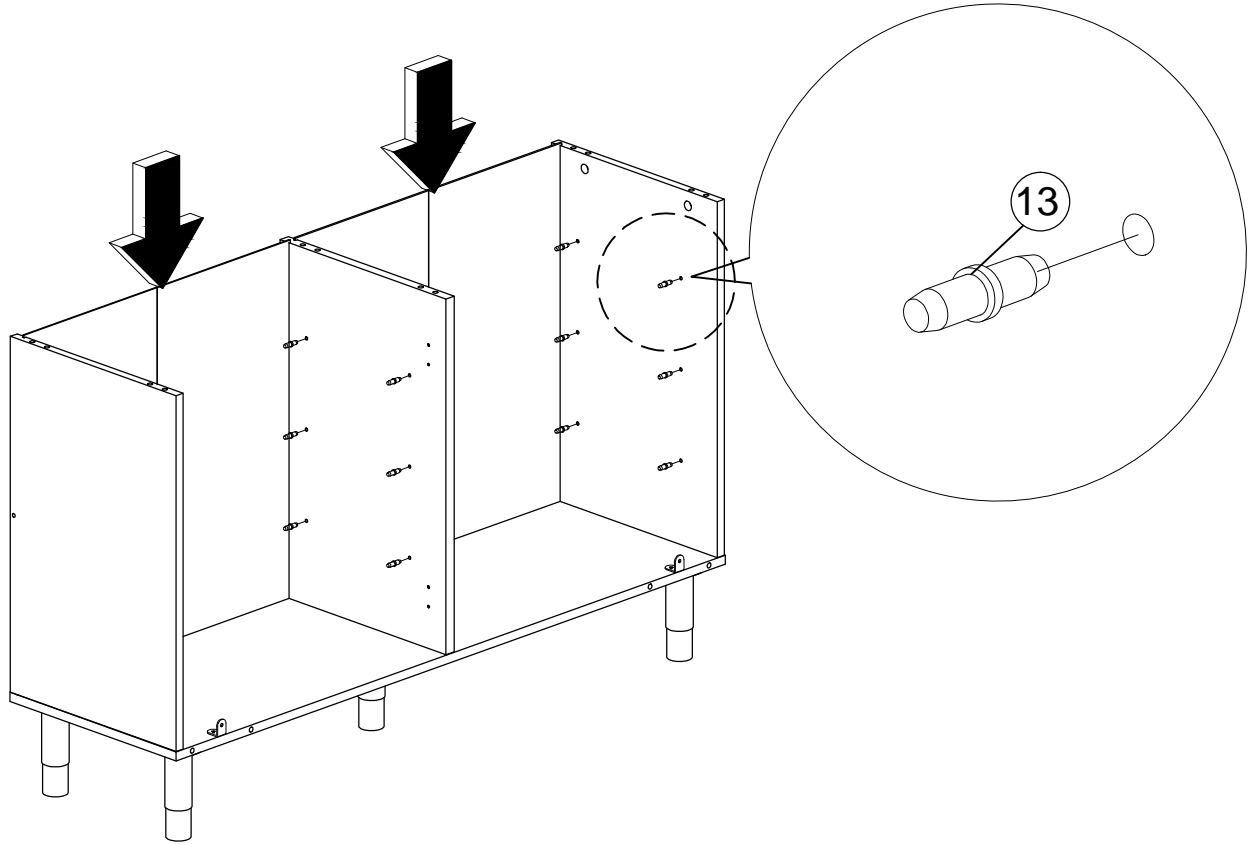


STEP 10

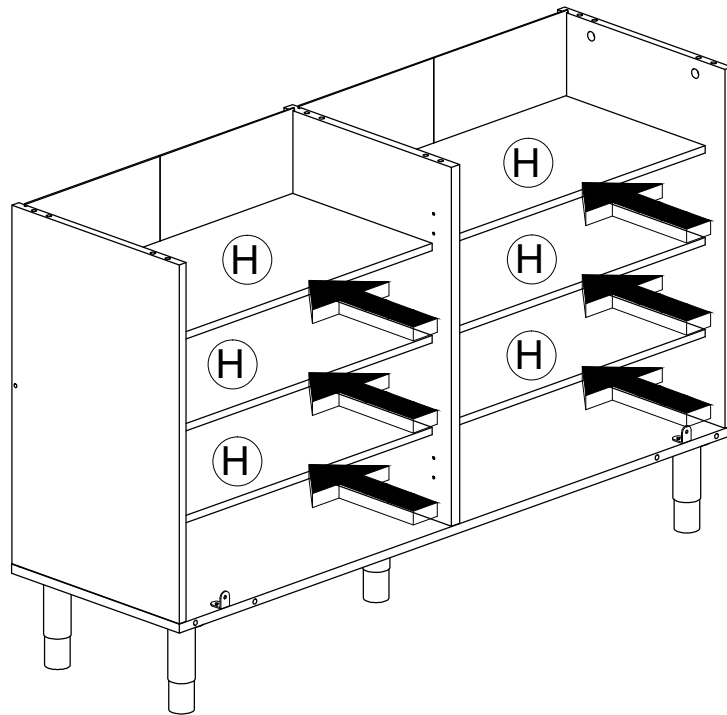


Assembly Instruction

STEP 11

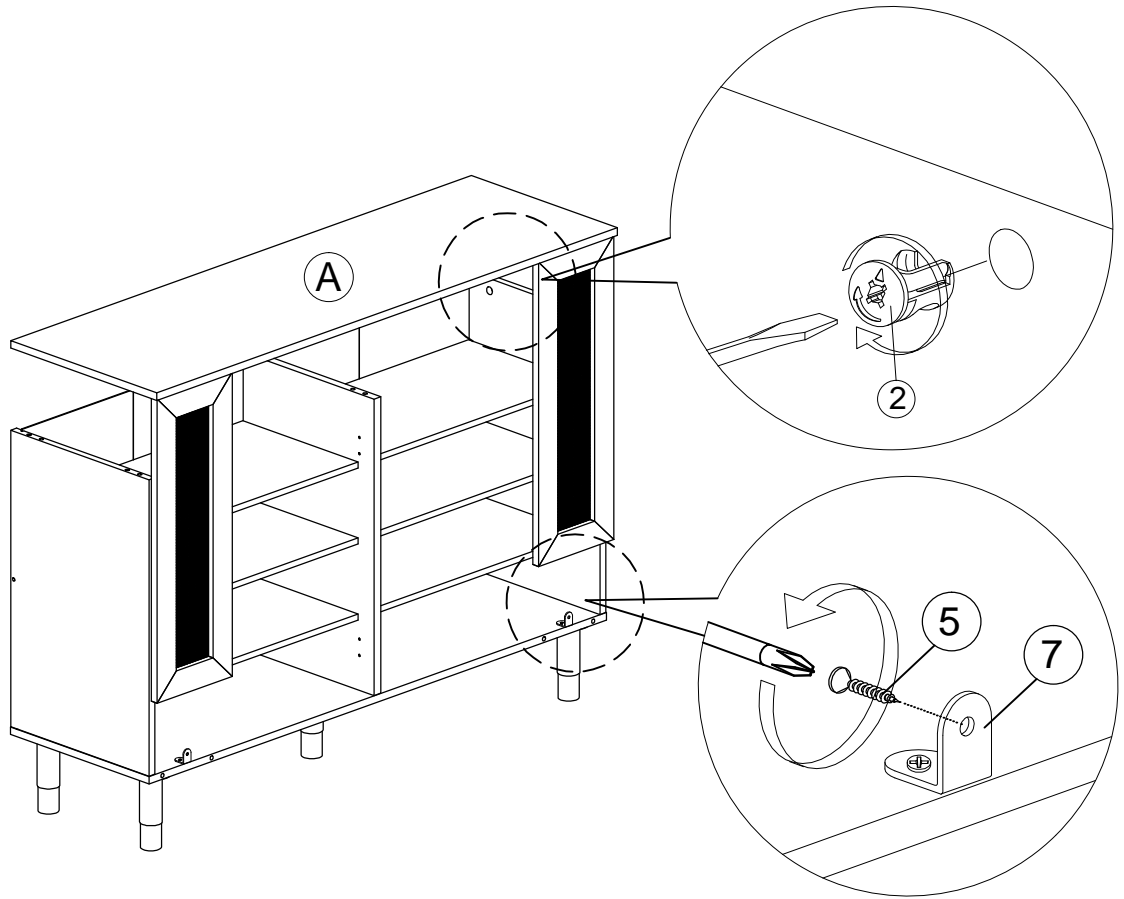


STEP 12

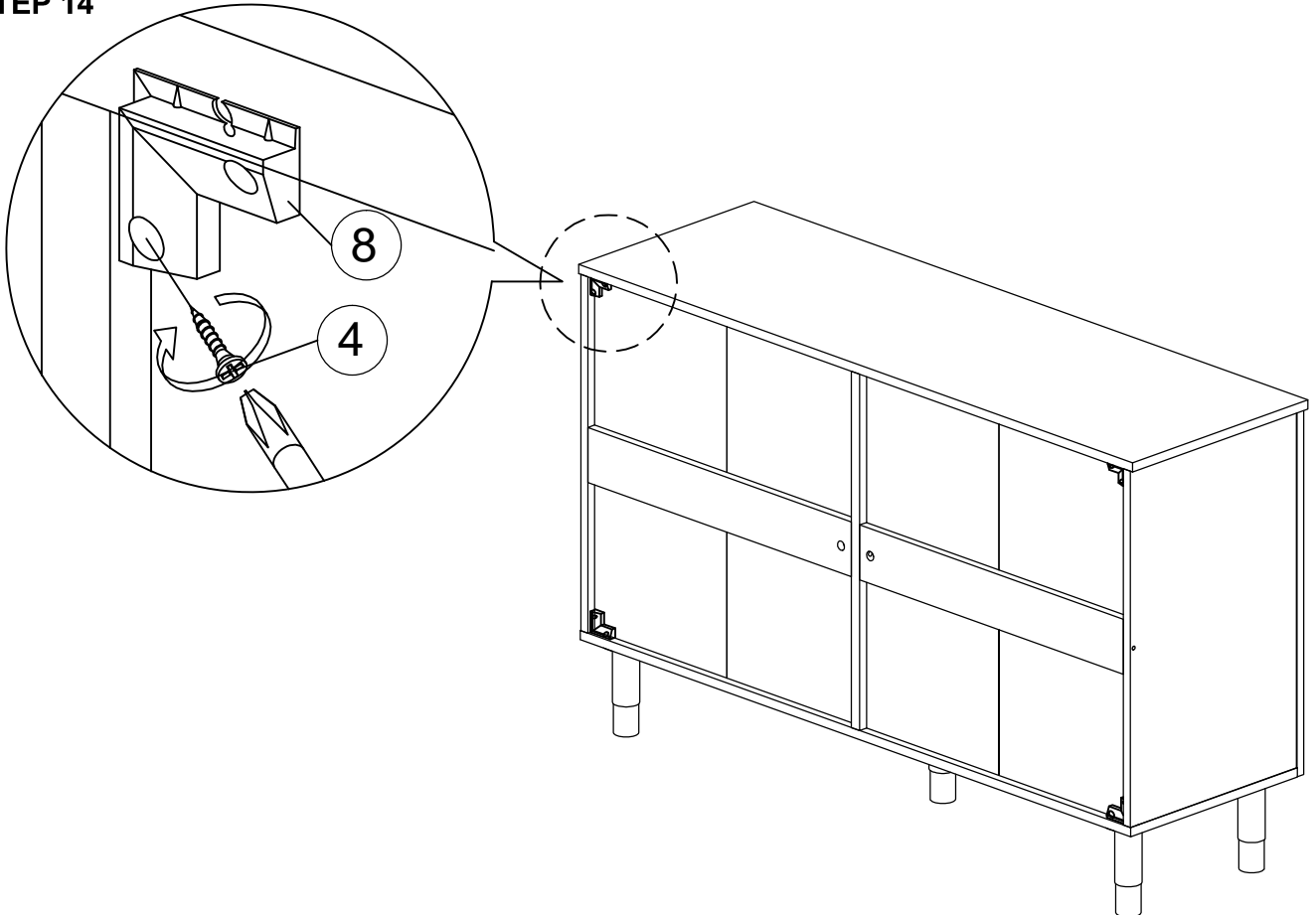


Assembly Instruction

STEP 13

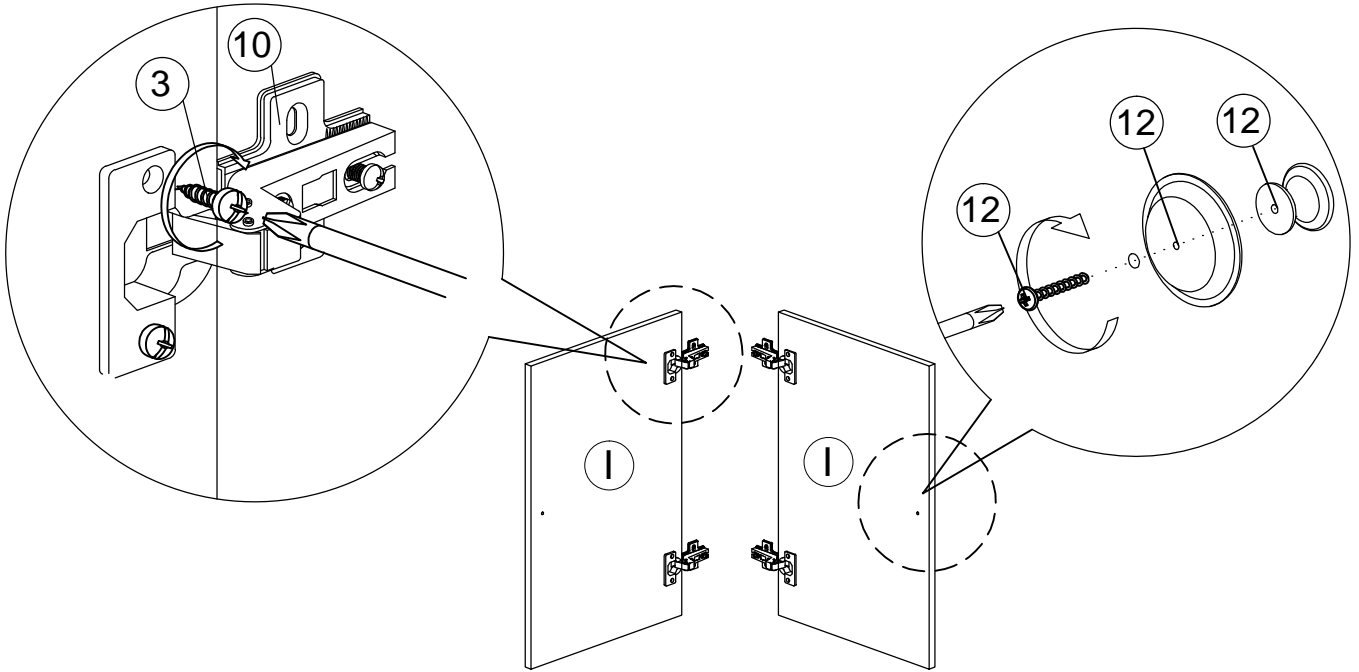


STEP 14



Assembly Instruction

STEP 15



COMPLETE

