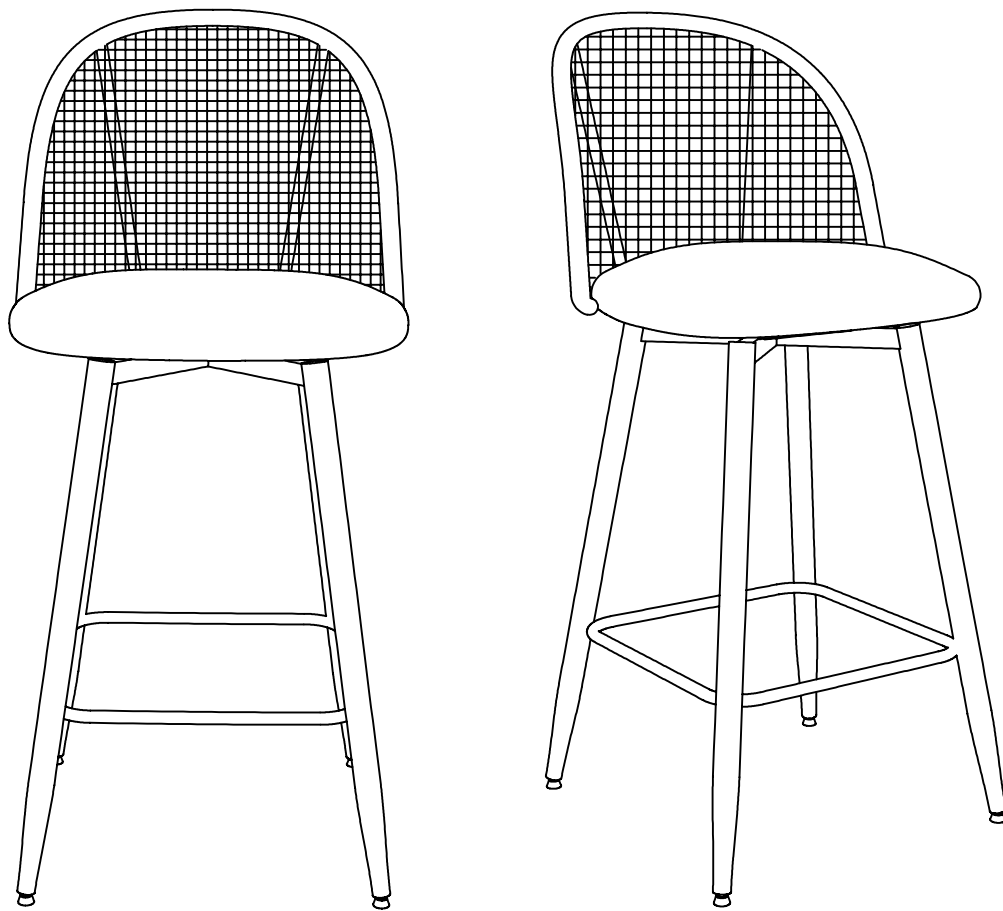


Assembly Instruction

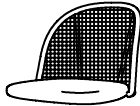

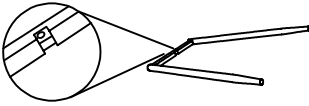
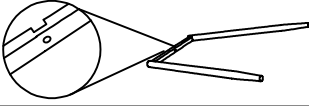

Counter & Bar Height Swivel Stool


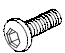
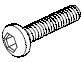






ASSEMBLY TIPS:

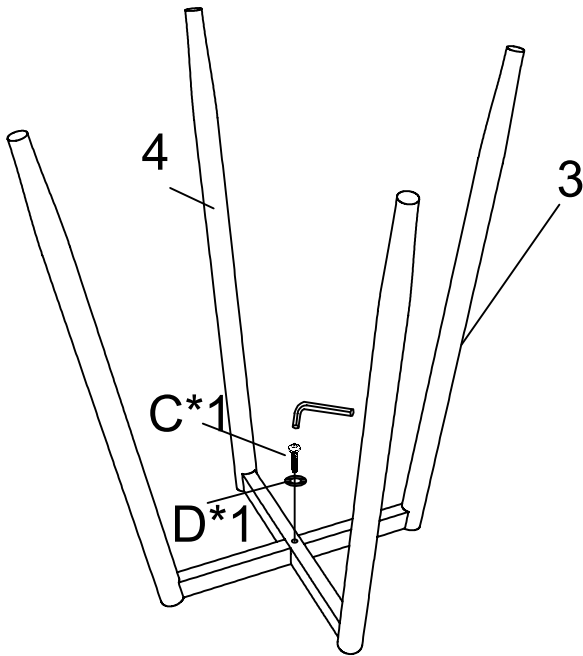
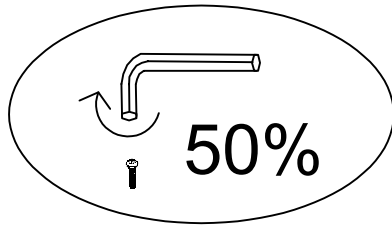
1. Remove hardware from box and sort by size.
2. Please check to see that all hardware and parts are present prior to start of assembly.
3. Please follow attached instructions in the same sequence as numbered to assure fast & easy assembly.

Parts List

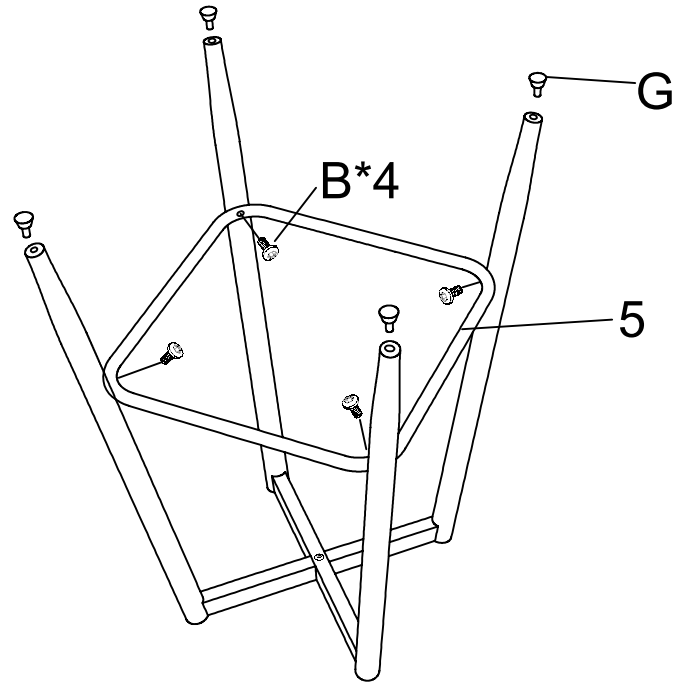
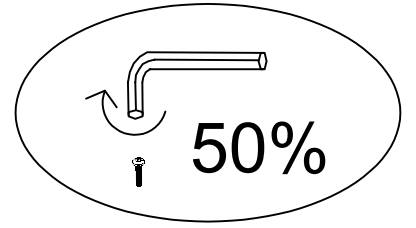
Number	Name	Part	Qty
1	Seat		x1PC
2	Swivel gear		x1PC
3	Leg		x1PC
4	Leg		x1PC
5	Footrest		x1PC

Number	Hardware	Part	Qty
A	M6*20mm		x6+1EXT
B	M6*25mm		x4+1EXT
C	M6*30mm		x3+1EXT
D	Washer		x9+1EXT
E	Thickened gasket		x2+1PC
F	Allen Wrench		x1PC
G	Foot		x4+1PC

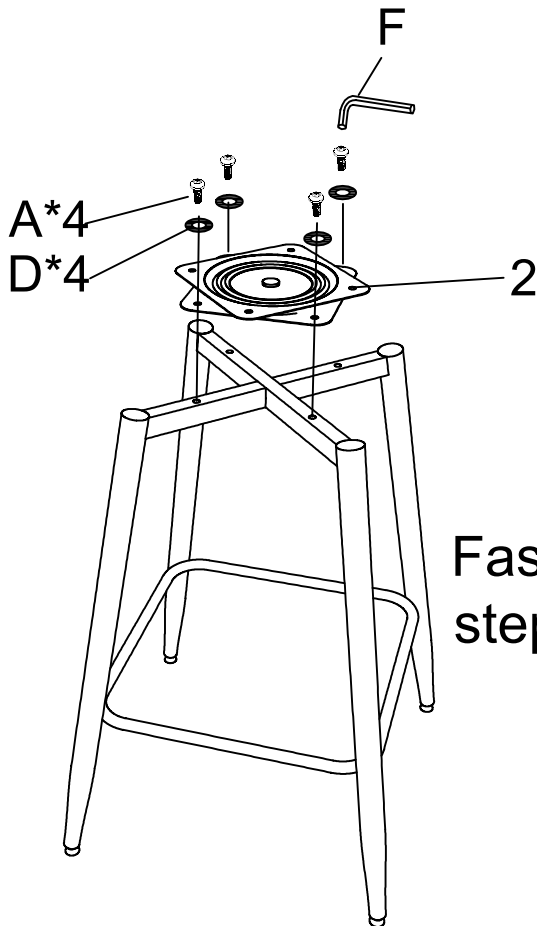
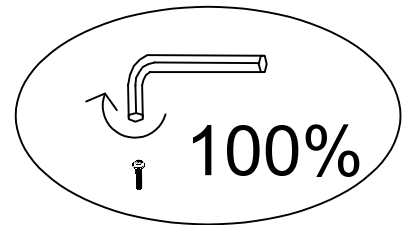
1



2

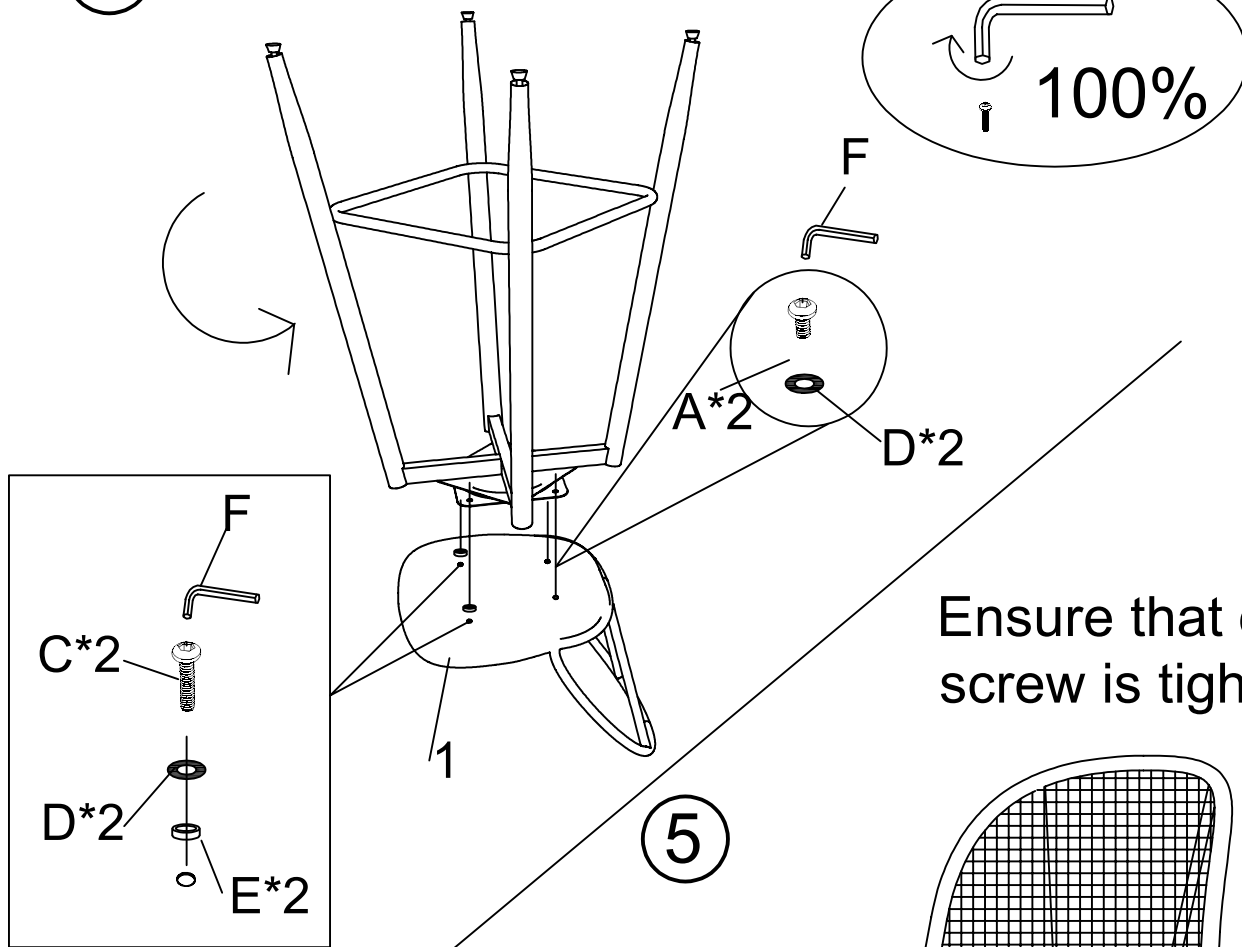


3



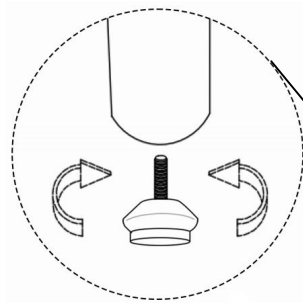
Fasten all screws, including step 1 and step 2.

4



Ensure that each screw is tightened.

5



Rotate it to ensure the chair is flat on the floor !

Additional Note About Safety: Bolts may loosen during normal everyday use. They should be periodically inspected and tightened to prevent damage or injury. Always check to be sure that all hardware is kept tightened. Thank you for your purchase.