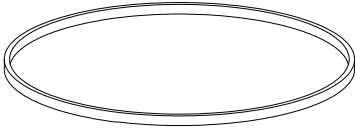


ASSEMBLY INSTRUCTION

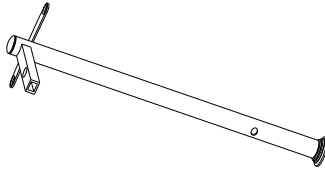
COFFEE TABLE WITH SHELF

A Top Frame



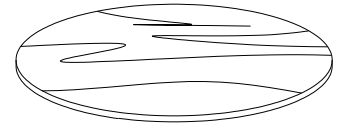
1pc

B Leg



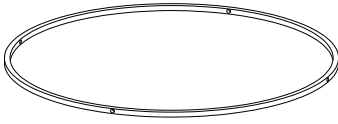
4pcs

C Wood Top



1pc

D Bottom Frame



1pc

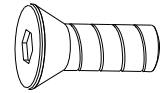
E Glass Bottom



1pc

F Bolt

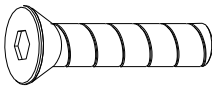
1/4" x 1/2"



8pcs

G Bolt

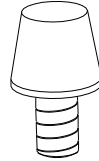
1/4" x 7/8"



8pcs

H Leveler

1/4" x 7/8"



4pcs

I Pad

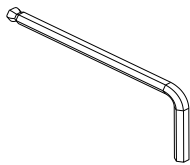
10mm x 1mm



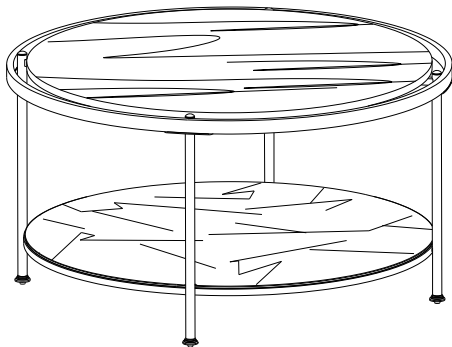
4pcs

J Allen Wrench

1/4"



1pc

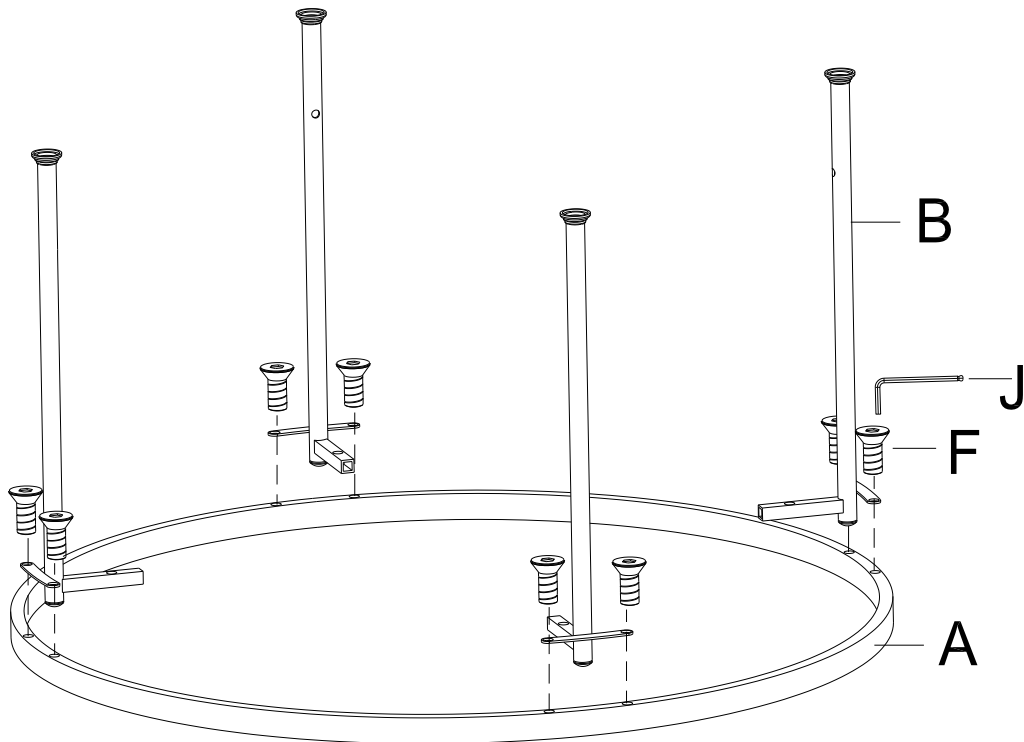


This page lists all the contents included in the box. Please take the time to identify the hardware as well as the individual components to this product. As you unpack and prepare for assembly, place the contents on a carpeted or padded area to protect them from damage.

***** Do not tighten screws & bolts until the entire unit is completely assembled.**

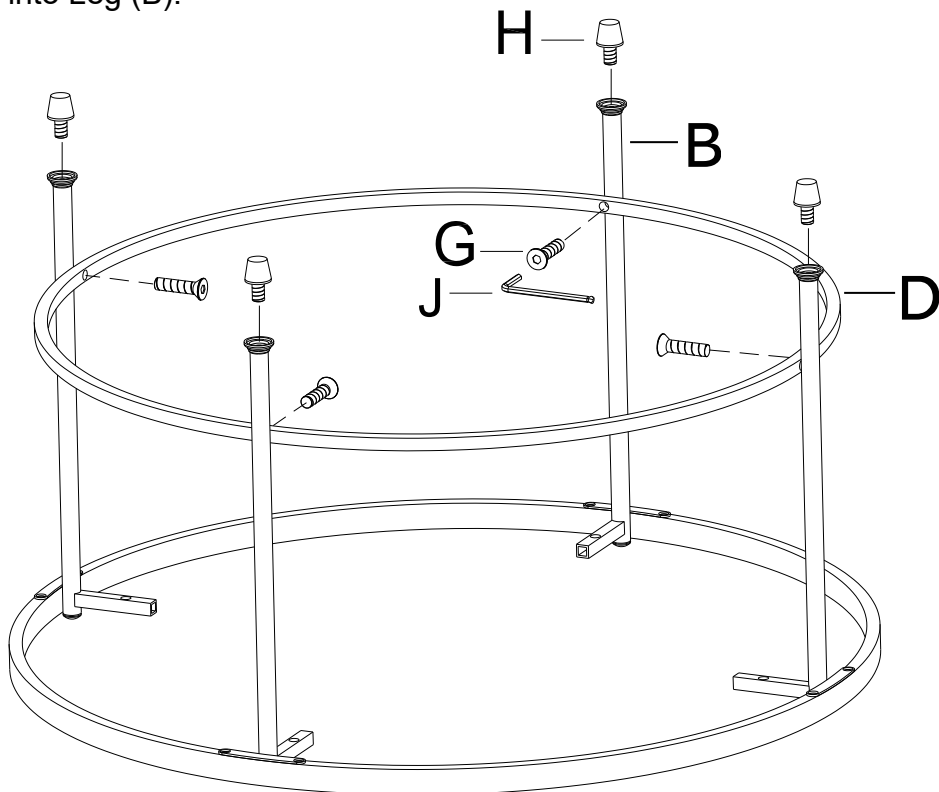
1

Attach Leg (B) to Top Frame (A) by using Bolt (F) and Allen Wrench (J) as shown.

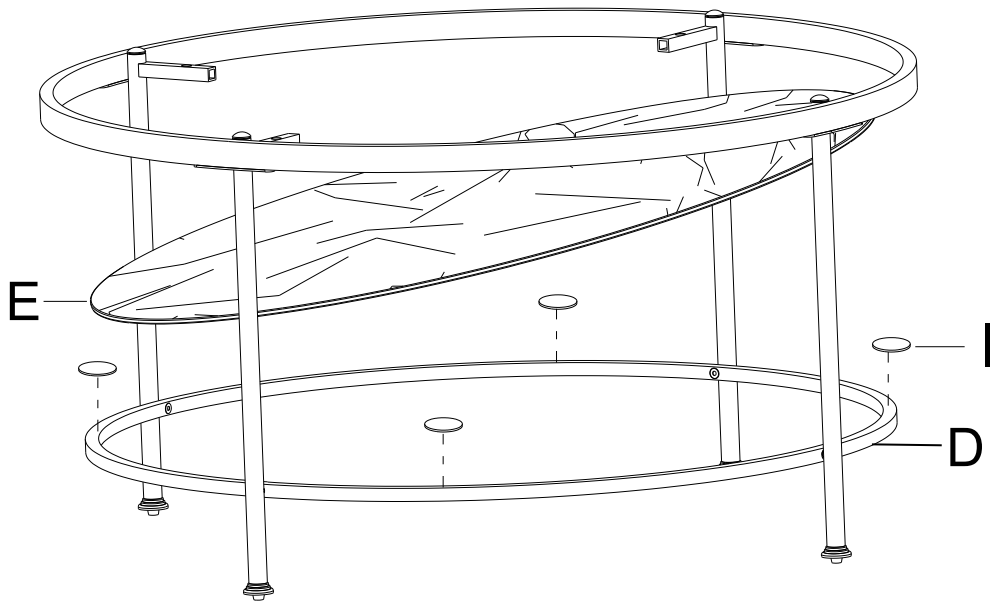


2

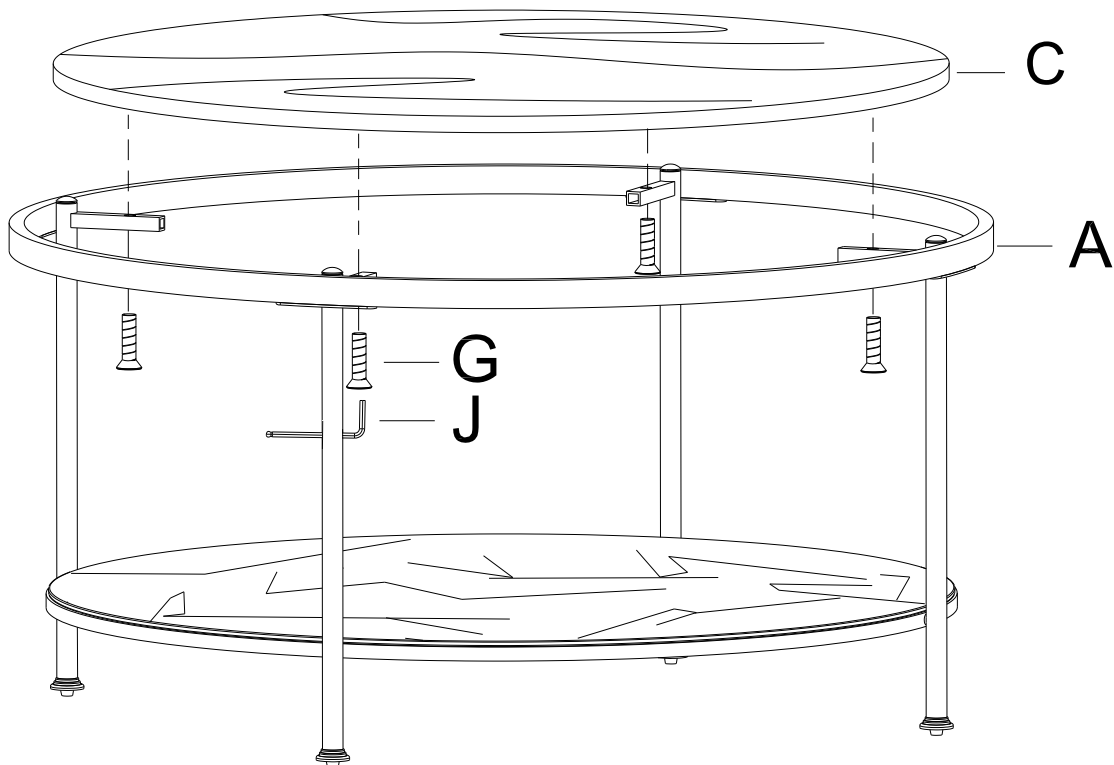
Attach Bottom Frame (D) to Leg (B) by using Bolt (G) and Allen Wrench (J) as shown. Insert Leveler (H) into Leg (B).



- 3** Turn the assembled unit up. Put the Pad (I) and place Glass Bottom (E) on the Bottom Frame (D) as shown.



- 4** Place the Wood Top (C) on the Top Frame (A) by using Bolt (G) and Allen Wrench (J) as shown.



Cleaning & Care

Treat surfaces with care. Surfaces are resistant to scratches but are not scratch resistant. Clean surfaces with a dry or damp soft cloth. Do not use abrasive cleaners. Hardware may loosen over time. Periodically check that all connections are tight.