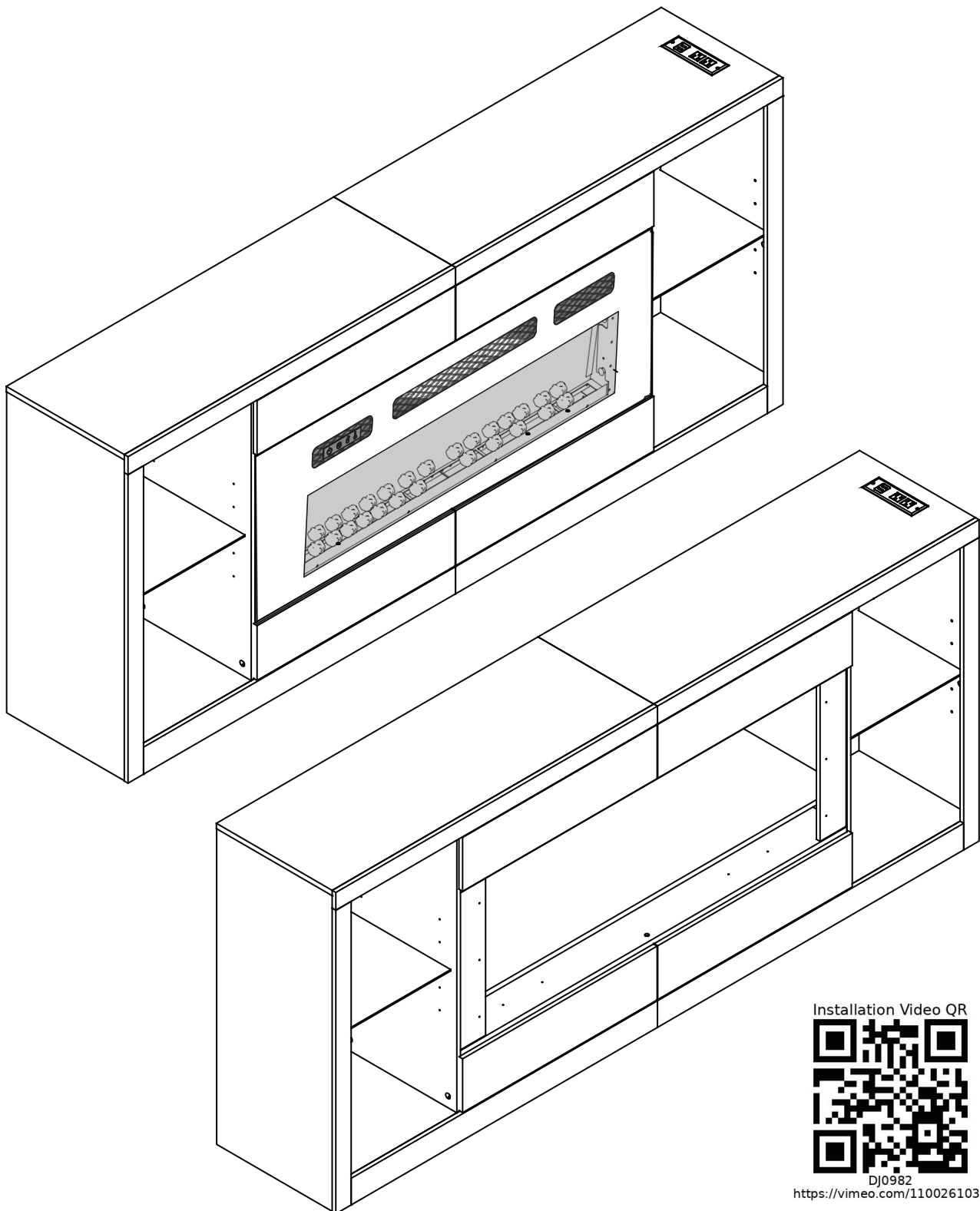
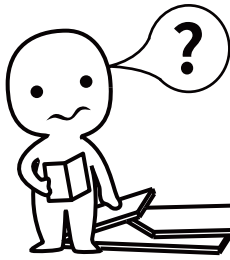


Stove Cabinet

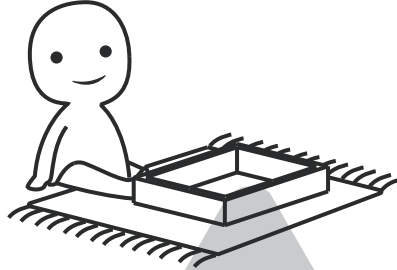
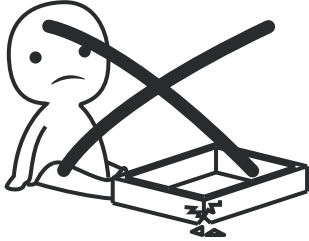
DJ0982





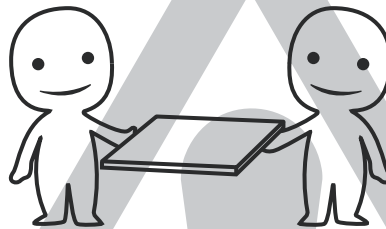
IMPORTANT INFORMATION!

please read the entire manual before starting to assemble and/or using this product. follow the manual thoroughly and keep it for further reference.



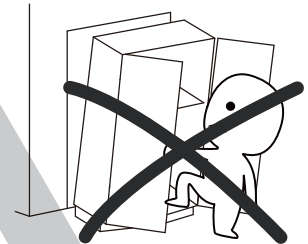
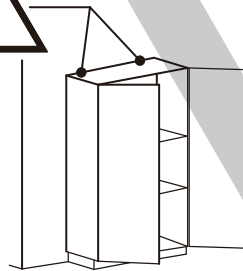
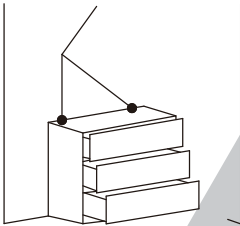
AVOID SCRATCHES!

In order to avoid scratching this furniture should be assembled on a soft layer- could be a rug.



IMPROVE EFFICIENCY !

Try to find a partner to install with you, which can speed up the installation efficiency and shorten the time.



ANTI-TOPPLE WARNING !

Overturnd furniture can cause serious or fatal crush injuries. To prevent tipping over, be sure to use the wall attachment, if not included with this product. Please purchase the wall attachment that fit your wall. If unsure, seek professional advice. Please read and follow each step of the instructions carefully.

IMPORTANT !

It is important that any product which is assembled using any kind of screw is re-tightened 2 weeks after assembly, and once every 3 months - in order to assure stability through-out the lifespan of the product.

For regular maintenance and cleaning of the product, for the frame, please use a rag dipped in neutral detergent to fully wipe it, and then dry it with a clean rag. For glass materials, wipe with a rag dampened with water glass cleaner, and then dry with a dry rag.

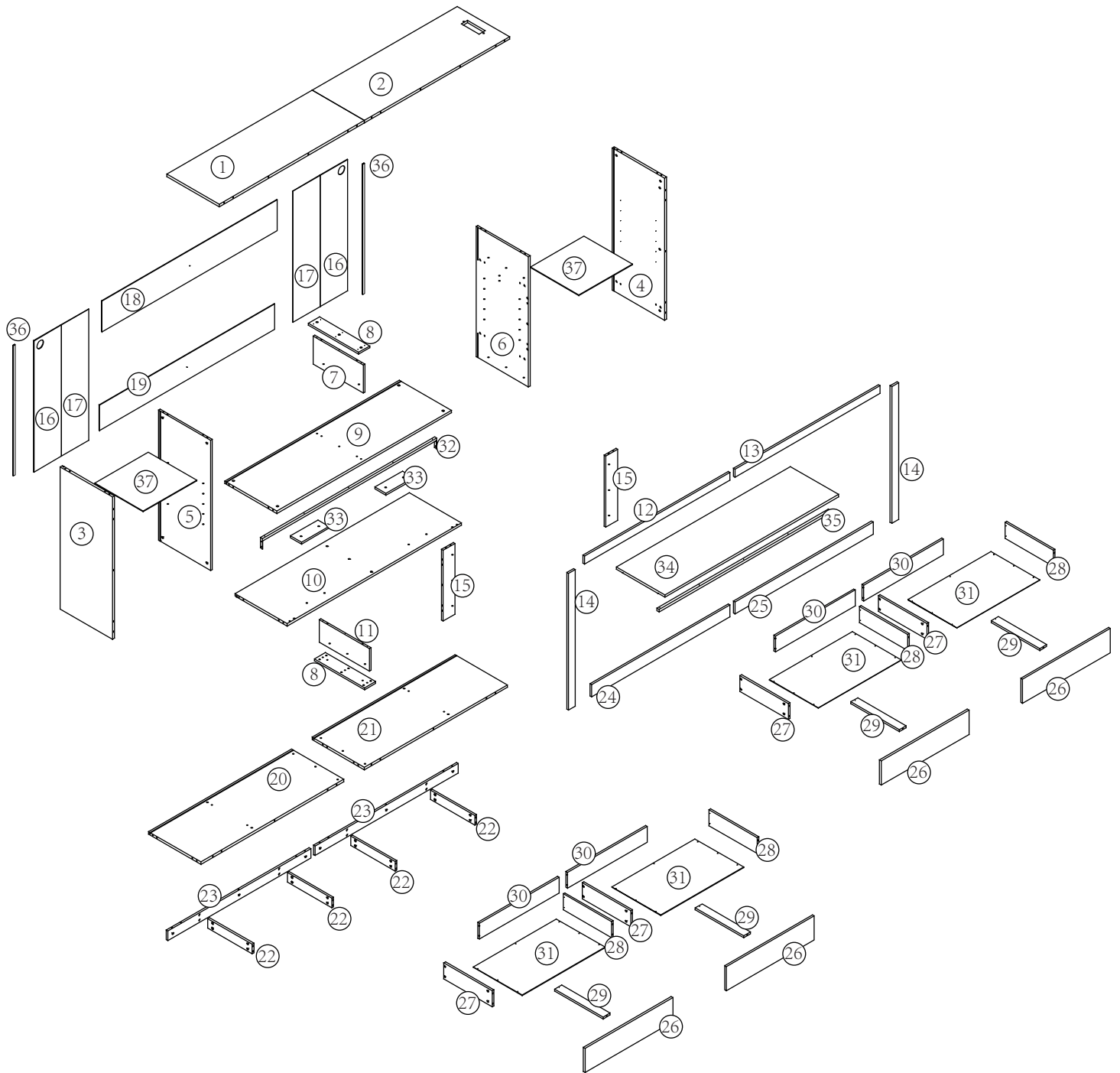
An electric screwdriver can be used, but don't install it with too much force, because the board is easy to break.

SAFETY TIPS:

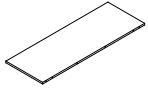
Static charge may cause dust on foam- clean with a dry or damp cloth. Small foam strands may be present - handle gently and dispose of properly. Do not burn or incinerate. Check local recycling guidelines.

Peel off film before use!

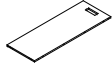
Board Identification



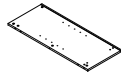
PARTS LIST



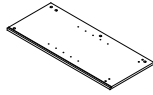
①



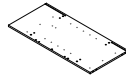
②



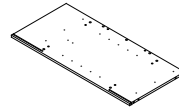
③



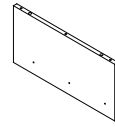
④



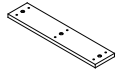
⑤



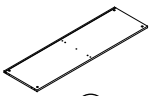
⑥



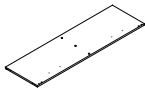
⑦



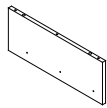
⑧ x2



⑨



⑩



⑪



⑫



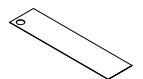
⑬



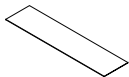
⑭ x2



⑮ x2



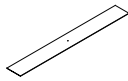
⑯ x2



⑰ x2



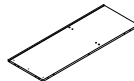
⑱



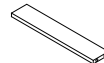
⑲



⑳



㉑



㉒ x4



㉓ x2



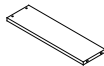
㉔



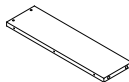
㉕



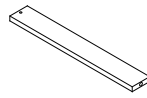
㉖ x4



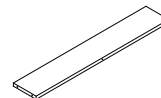
㉗ x4



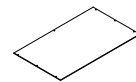
㉘ x4



㉙ x4



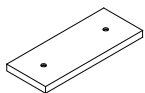
㉚ x4



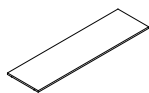
㉛ x4



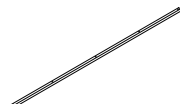
㉜



㉝ x2



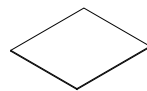
㉞



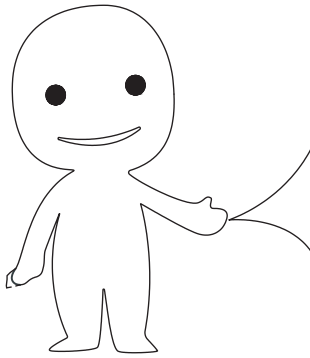
㉟



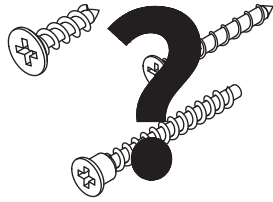
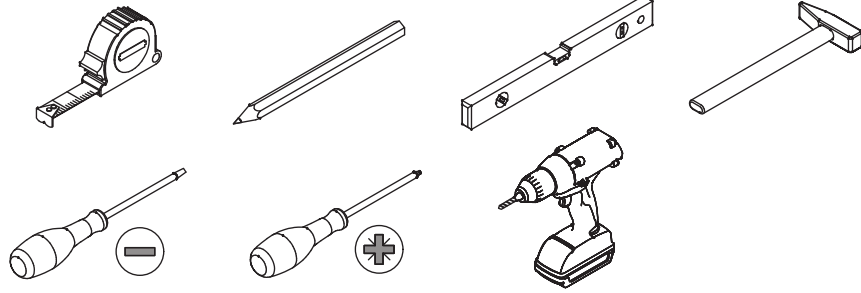
㊱ x2



㊲ x2

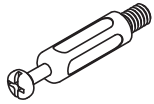

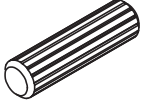

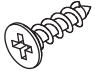
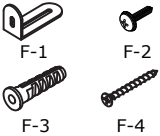
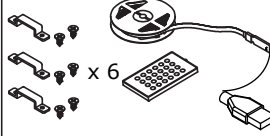
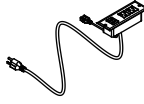
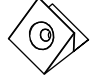
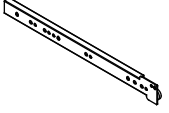


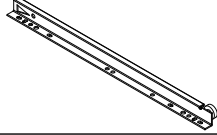
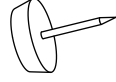

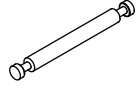
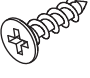
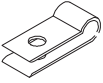

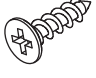

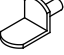
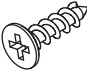
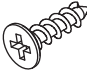



Please prepare the following tools


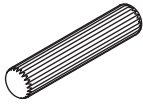

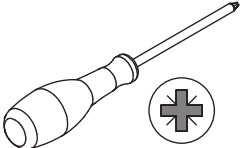




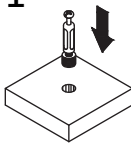
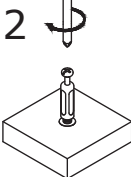
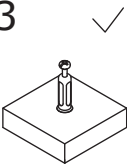

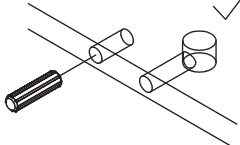
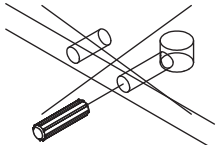
When installing, please carefully confirm whether each screw corresponds to the manual, accessories with similar shapes can be distinguished by size

Tips: The number after "+" represents the spare hardware

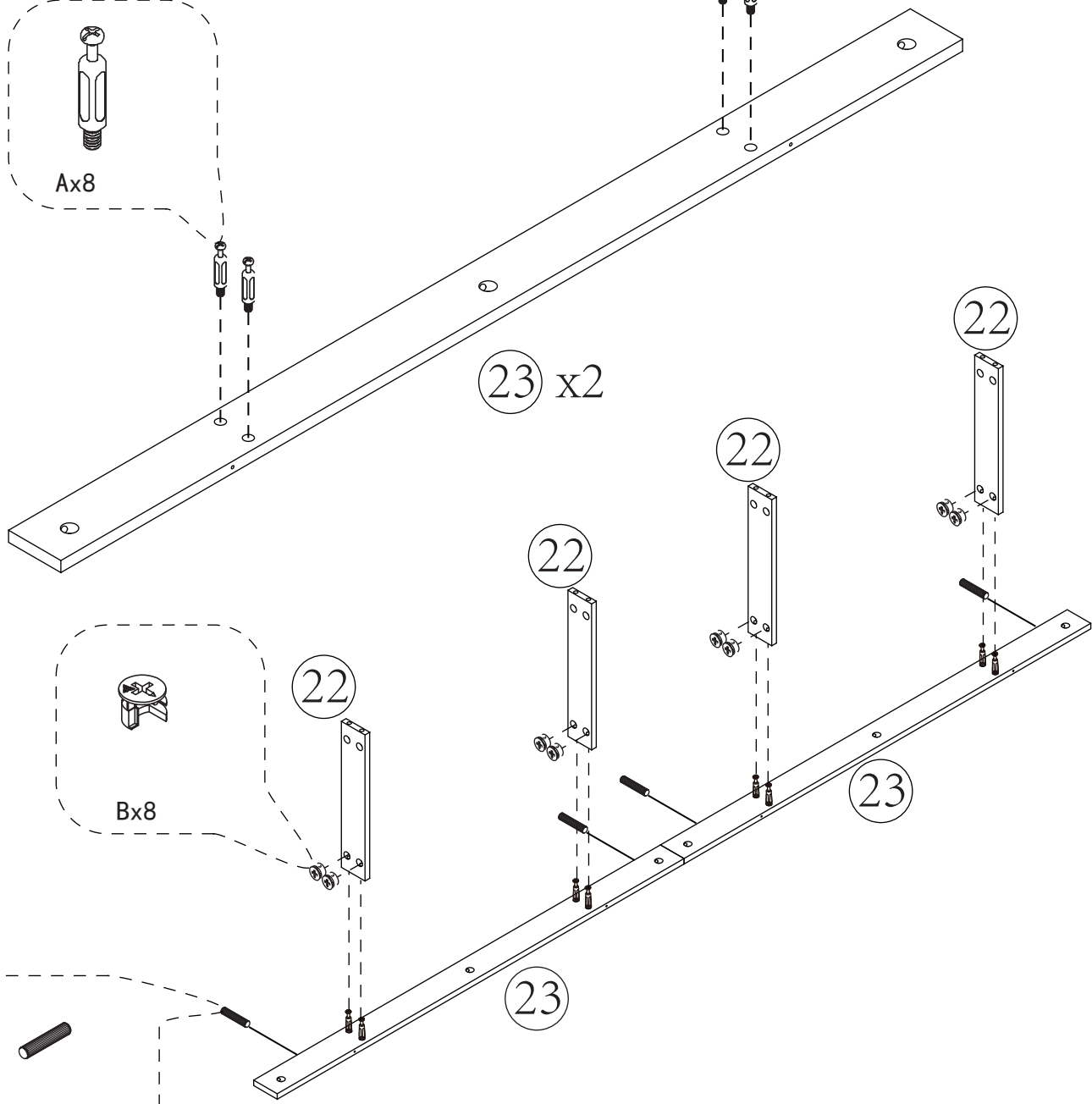

<p>A x 50</p>  <p>Ø7 x 40 mm</p>	<p>B x 104</p>  <p>Ø15 x 9.5 mm</p>	<p>C x 64</p>  <p>Ø8 x 40 mm</p>	<p>D x 46</p>  <p>Ø7 x 40 mm</p>	<p>E x 56</p>  <p>M3.5 x 12 mm</p>
<p>F x 2</p>  <p>F-1 F-2 F-3 F-4</p>	<p>G x 1</p>  <p>x 6</p>	<p>H x 1</p> 	<p>I x 16</p> 	<p>CL(350) x 4</p> 
<p>CR(350) x 4</p> 	<p>DL(350)*4</p> 	<p>DR(350) x 4</p> 	<p>J x 12</p> 	<p>K x 12</p>  <p>Ø5 x 38 mm</p>
<p>L x 4</p>  <p>Ø6 x 64 mm</p>	<p>M x 22</p>  <p>M4 x 25 mm</p>	<p>N x 4</p> 	<p>O x 26</p> 	<p>P x 10</p>  <p>M4 x 30 mm</p>
<p>Q x 4</p>  <p>M5 x 16 mm</p>	<p>R x 8</p> 	<p>S x 24</p>  <p>M3.5 x 14 mm</p>	<p>T x 16</p>  <p>M4 x 20 mm</p>	<p>x 1</p>  <p>+ 2 SPARE BAG</p>

1

<p>A x 8</p>  <p>Ø7 x 40 mm</p>	<p>C x 4</p>  <p>Ø8 x 40 mm</p>	<p>B x 8</p>  <p>Ø15 x 9.5mm</p>	 
--	--	---	--


	<p>1</p> 	<p>2</p> 	<p>3</p> 
			

Ax8




22



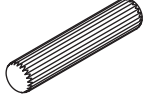
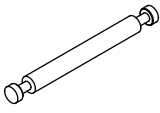
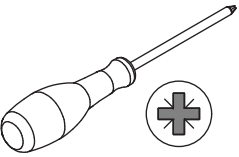
Bx8

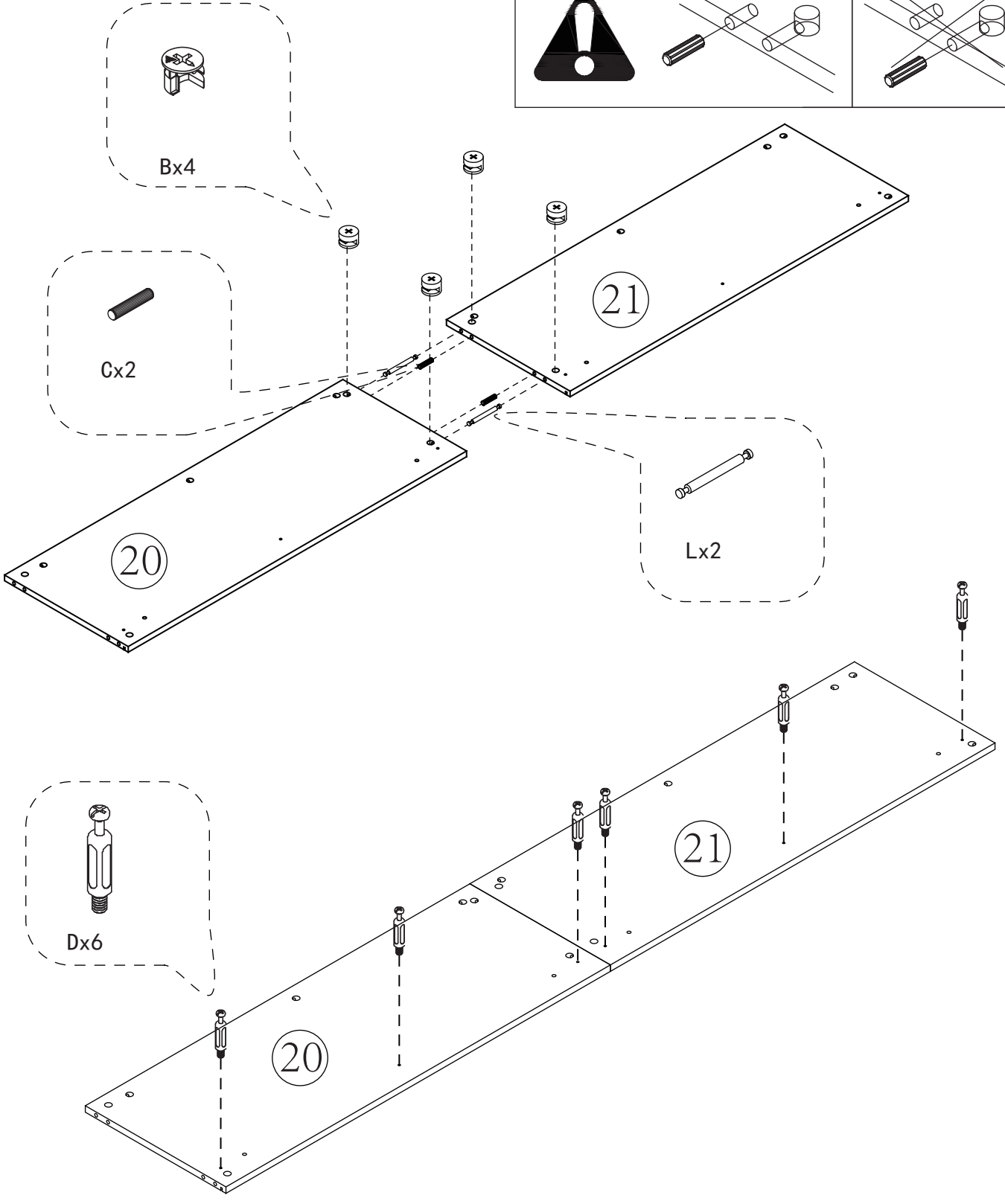
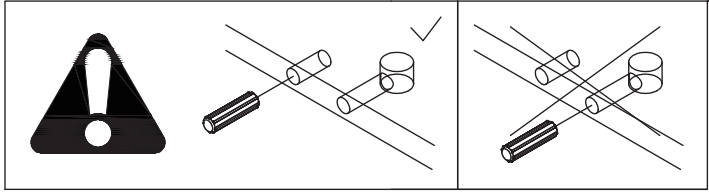
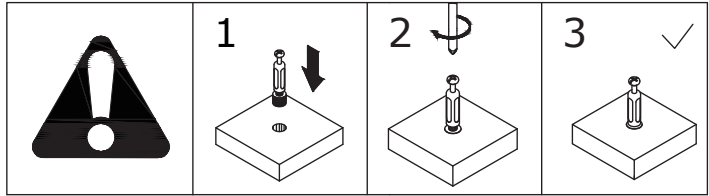


Cx4



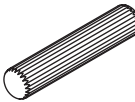

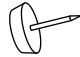
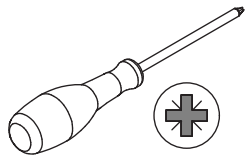



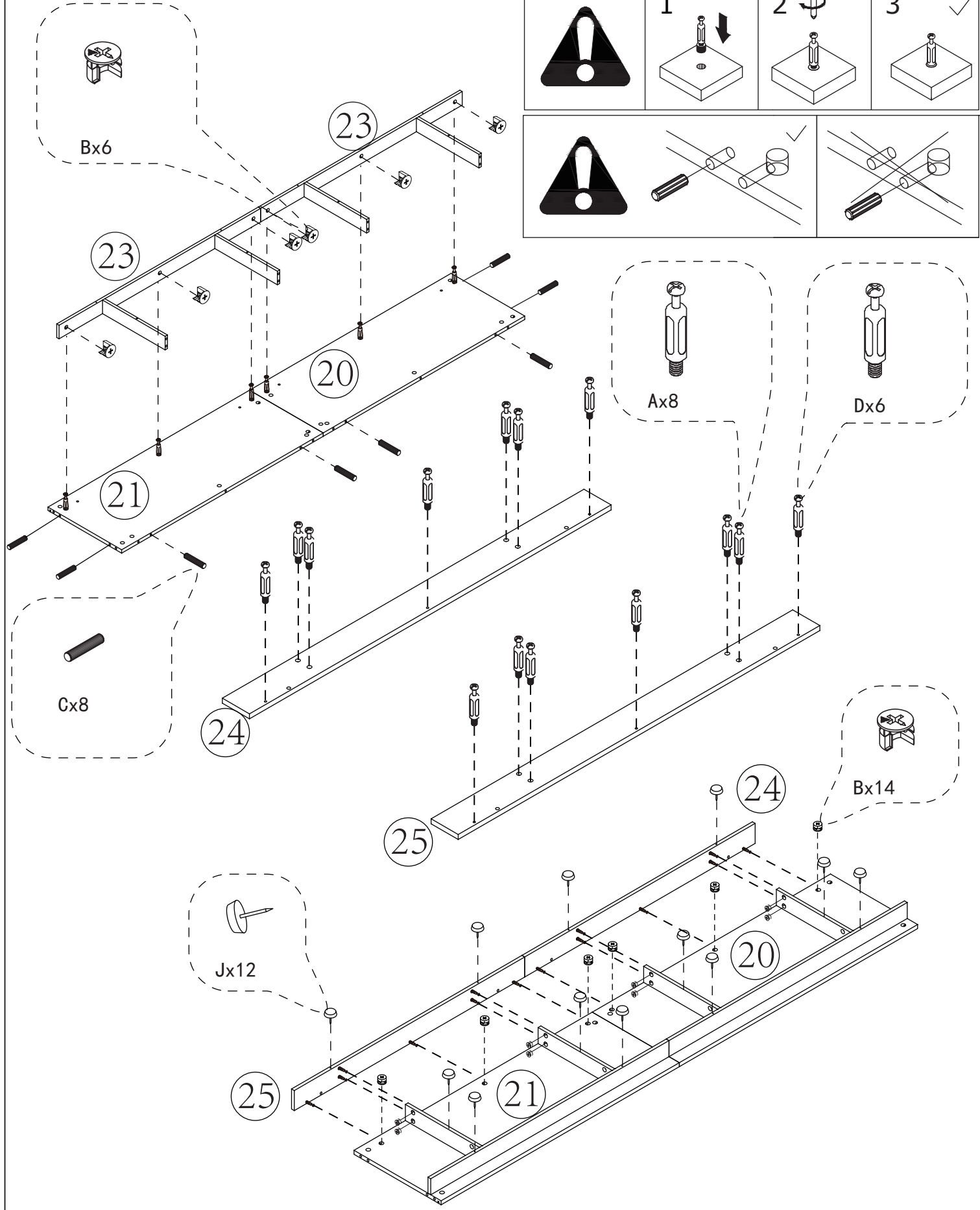
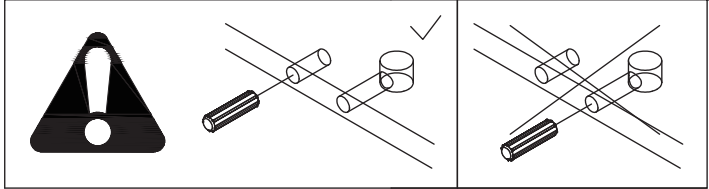
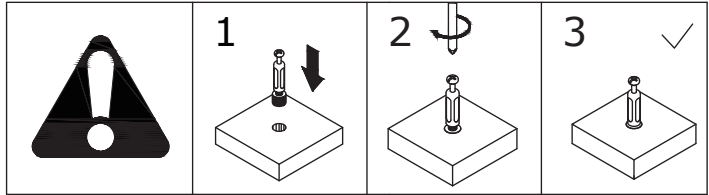
2

<p>D x 6</p>  <p>Ø 7 x 40 mm</p>	<p>B x 4</p>  <p>Ø 15 x 9.5mm</p>	<p>C x 2</p>  <p>Ø 8 x 40 mm</p>	<p>L x 2</p>  <p>Ø 6 x 64 mm</p>	 <p>+</p>
---	--	---	---	---


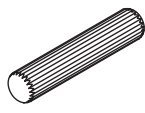
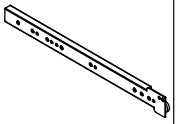
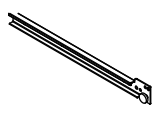
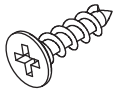
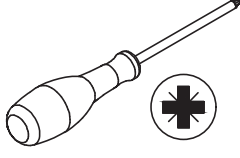


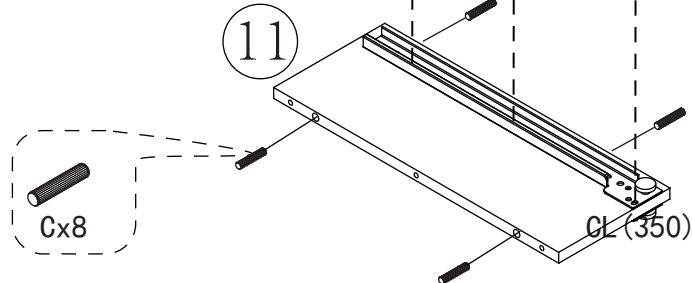
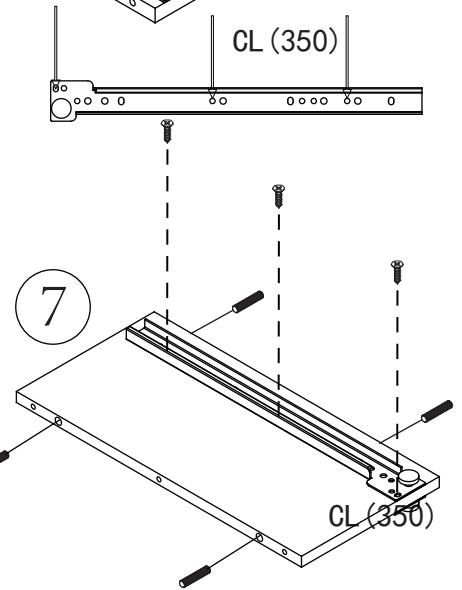
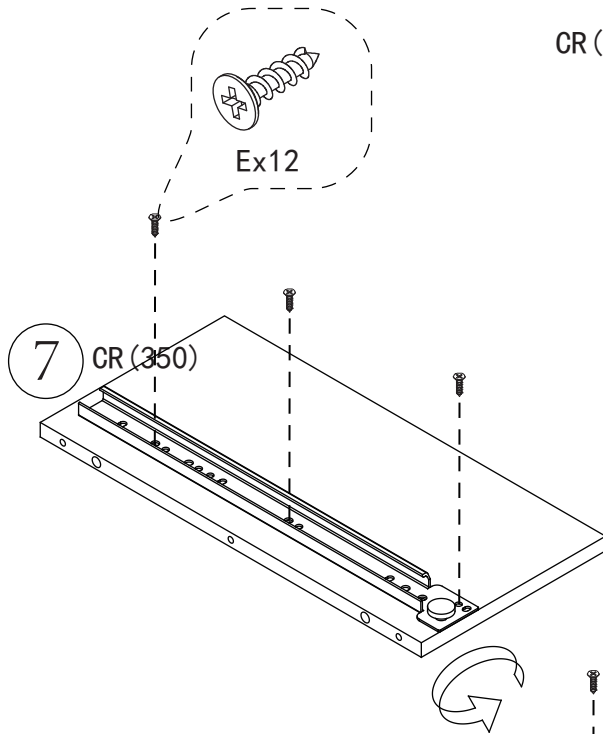
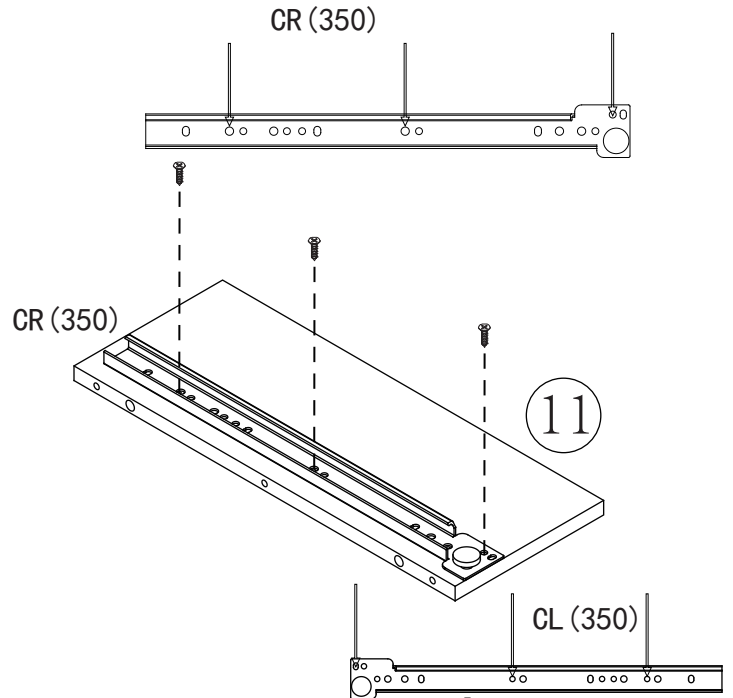
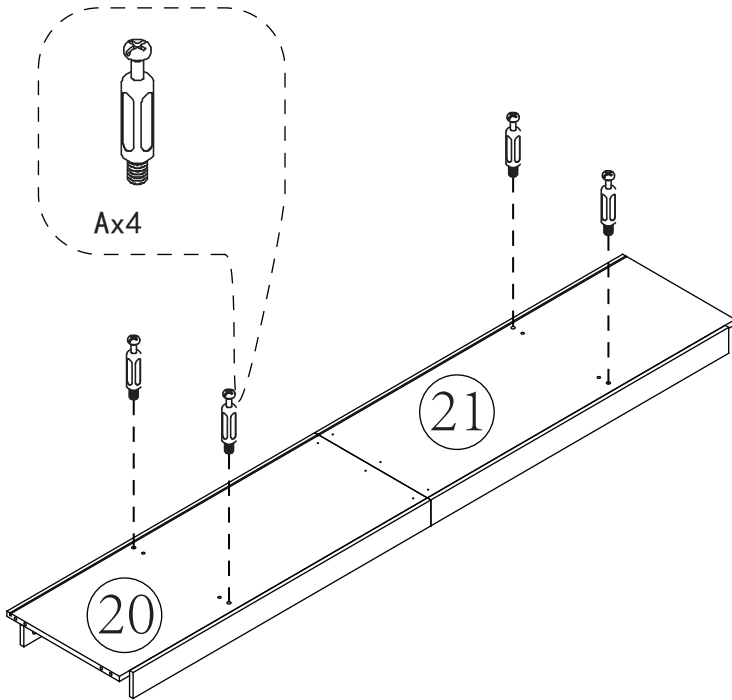
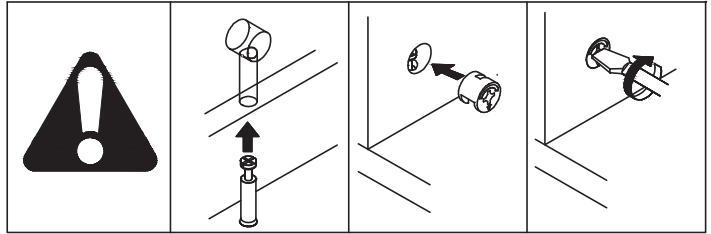
3

<p>A x 8</p>  <p>Ø 7 x 40 mm</p>	<p>B x 20</p>  <p>Ø 15 x 9.5 mm</p>	<p>C x 8</p>  <p>Ø 8 x 40 mm</p>	<p>D x 6</p>  <p>Ø 7 x 40 mm</p>	<p>J x 12</p> 	 
---	--	---	---	---	--

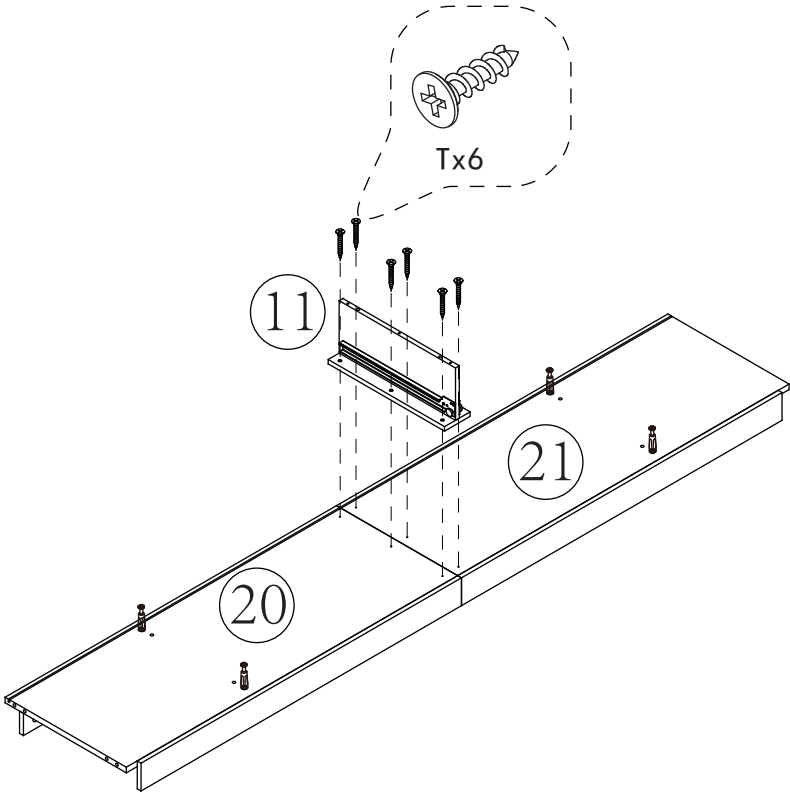
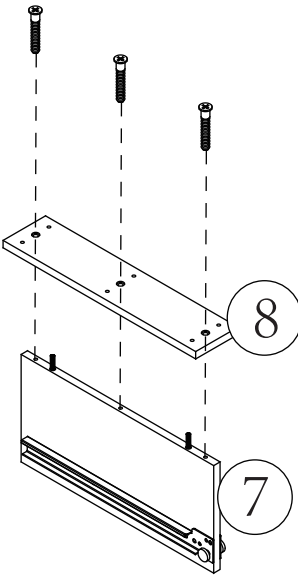
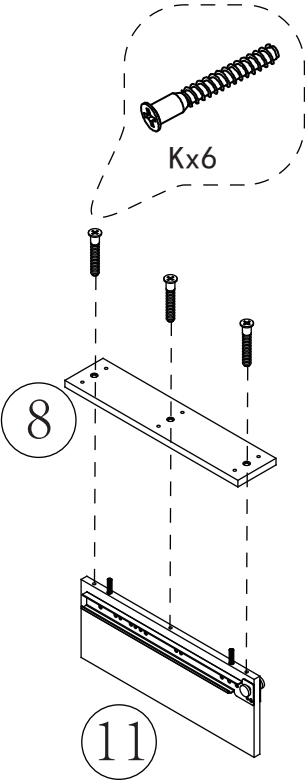
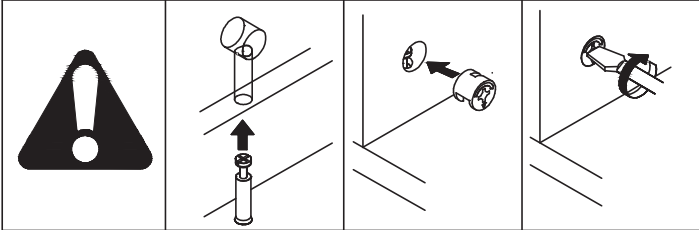
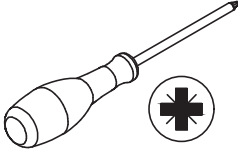
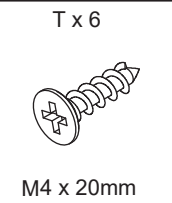
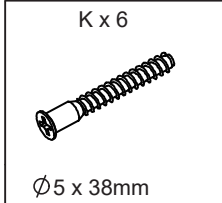


4


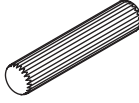
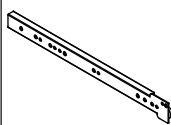
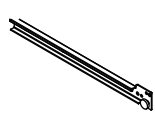
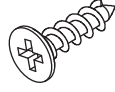
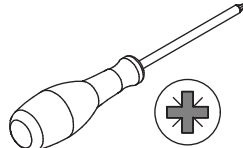
<p>A x 4</p>  <p>Ø 7 x 40 mm</p>	<p>C x 8</p>  <p>Ø 8 x 40 mm</p>	<p>CL(350) x 2</p> 	<p>CR(350) x 2</p> 	<p>E x 12</p>  <p>Ø 3.5 x 12 mm</p>	
---	---	--	--	---	---

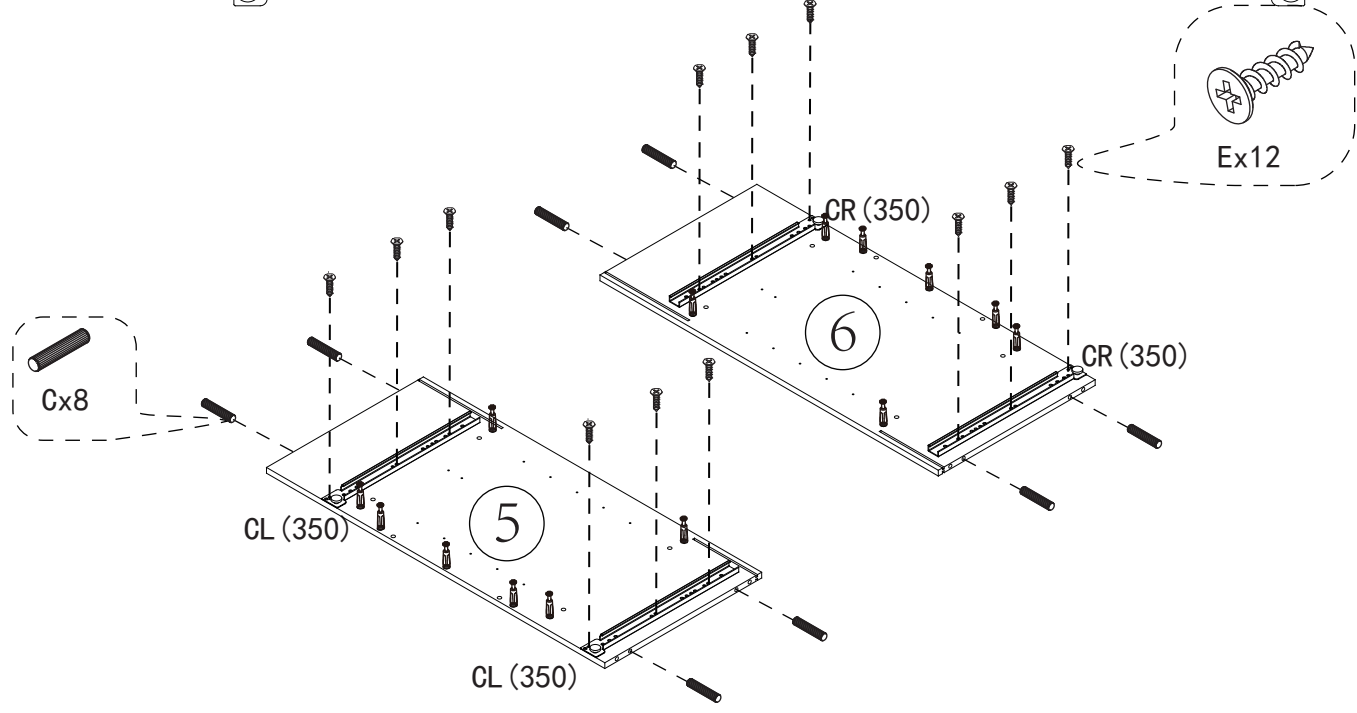
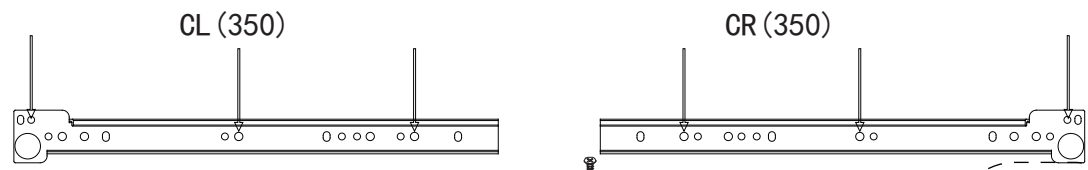
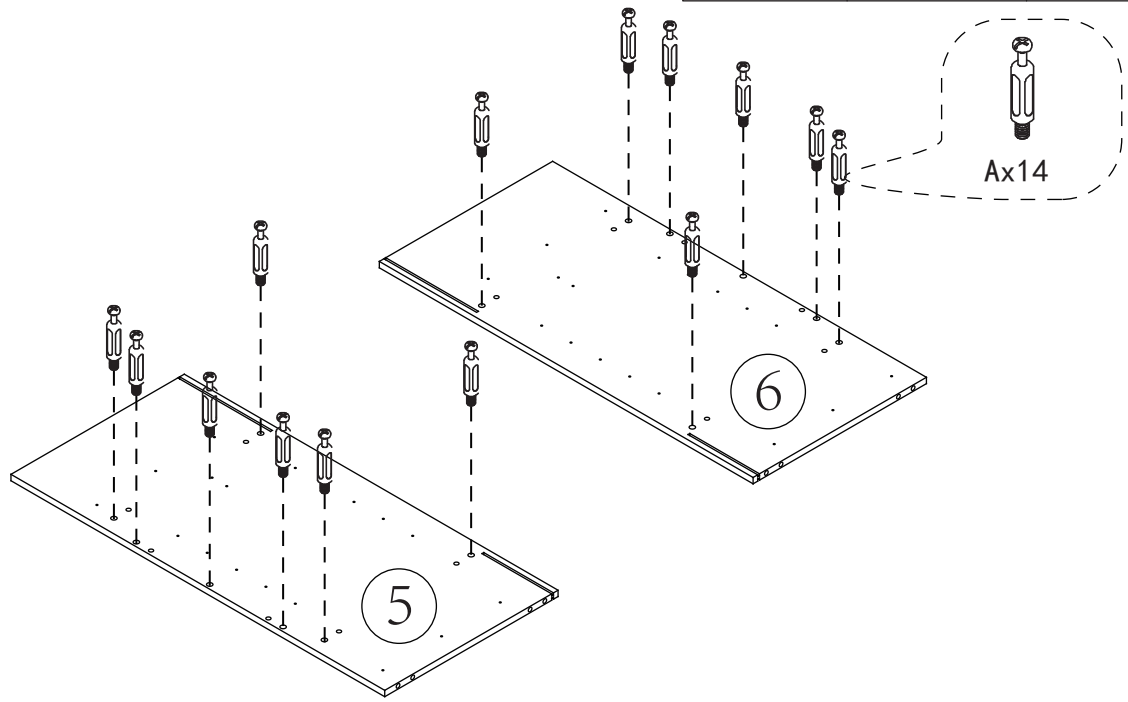
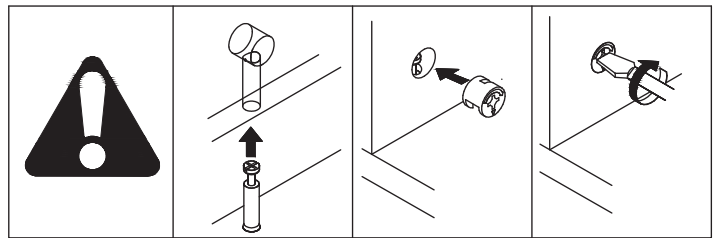


5




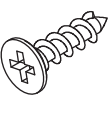
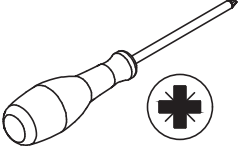



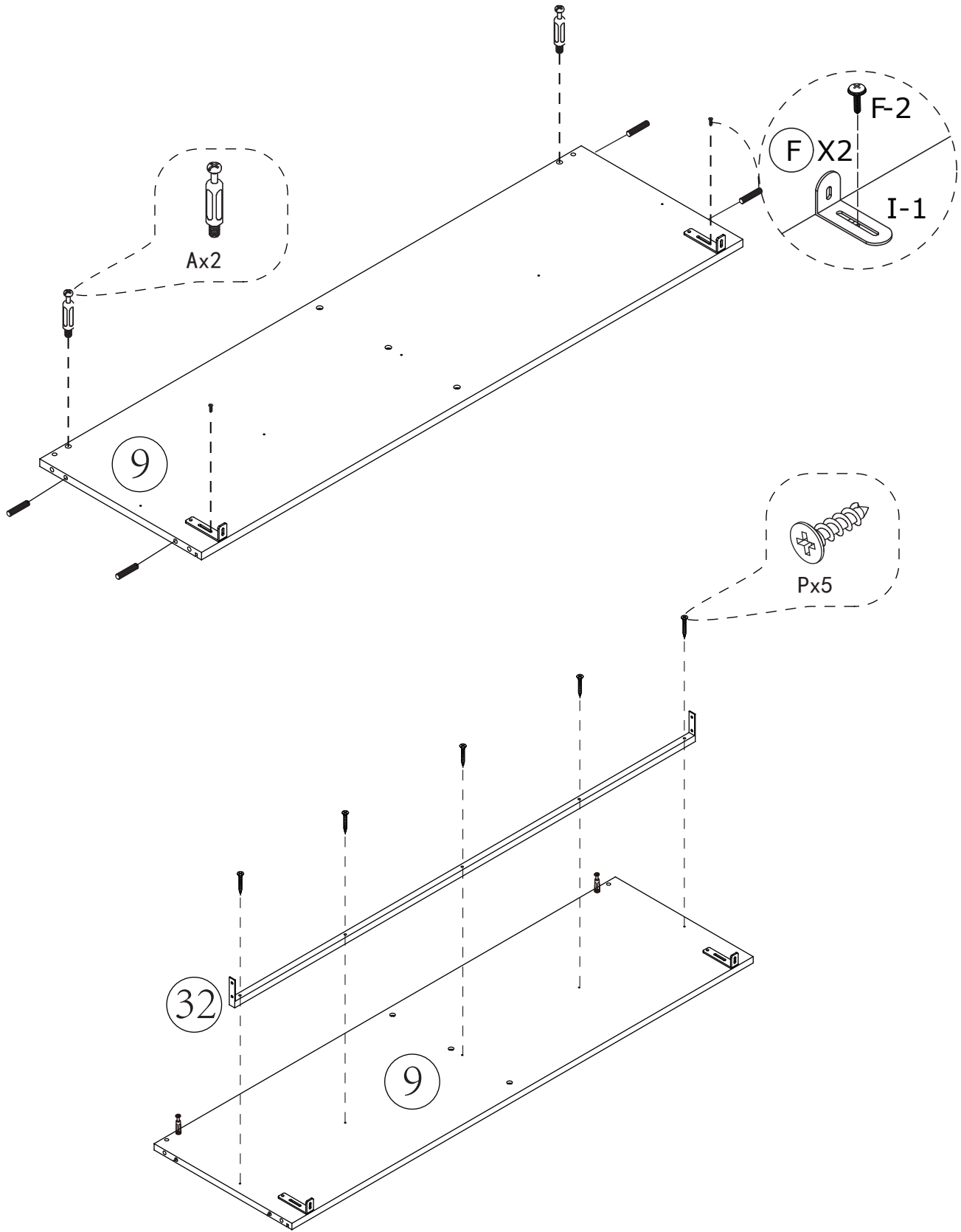
6

A x 14  Ø7 x 40 mm	C x 8  Ø8 x 40 mm	CL(350) x 2 	CR(350) x 2 	E x 12  Ø3.5 x 12 mm	
---	--	--	--	--	--




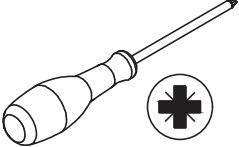


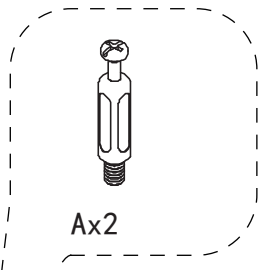
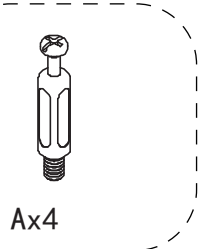
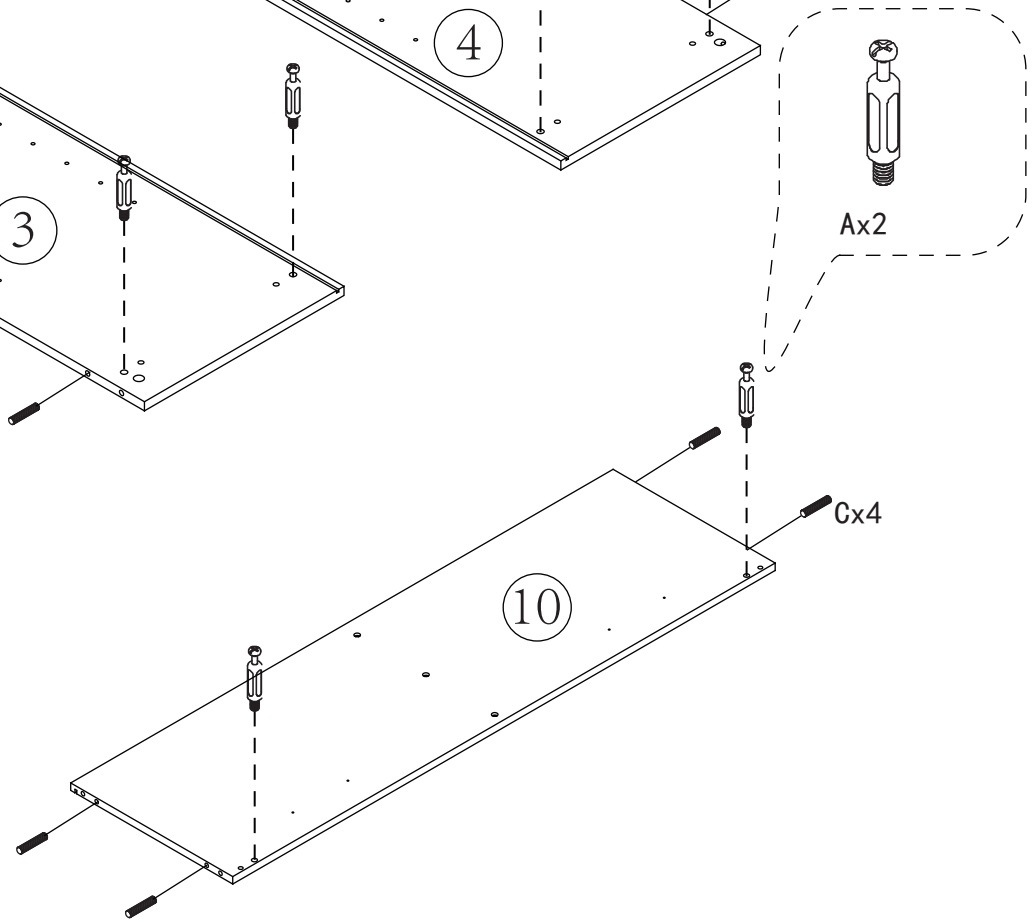
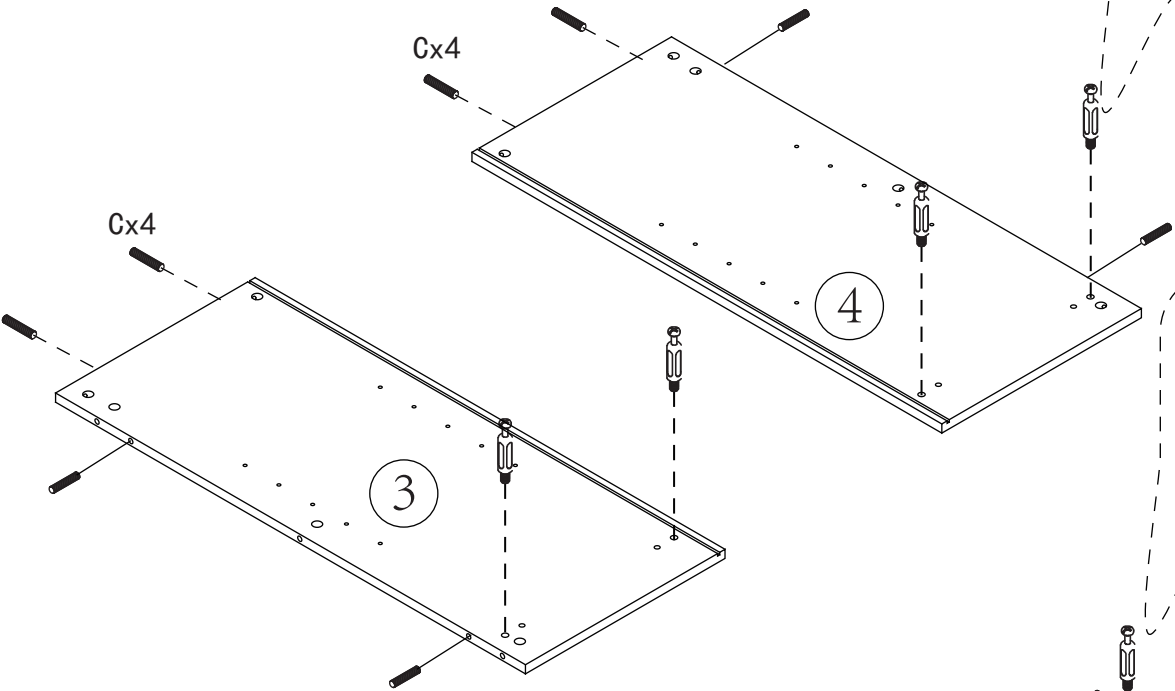
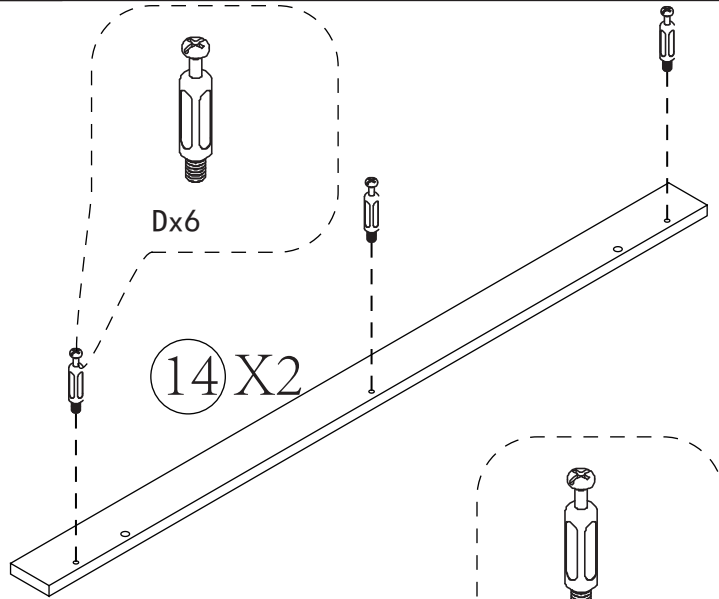
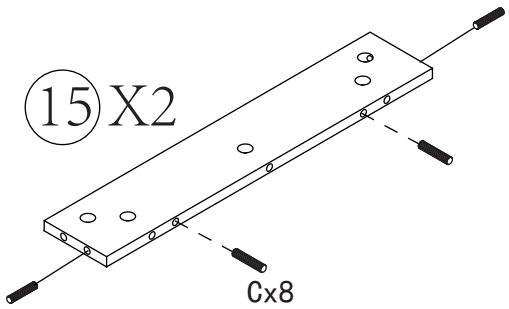
7

<p>Ax 2</p>  <p>Ø 7 x 40 mm</p>	<p>F x 2</p>  <p>F-1 F-2</p>	<p>Cx 8</p>  <p>Ø 8 x 40 mm</p>	<p>P x 5</p>  <p>M4 x 30mm</p>	 
--	---	--	---	---

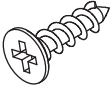
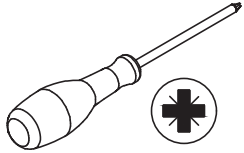


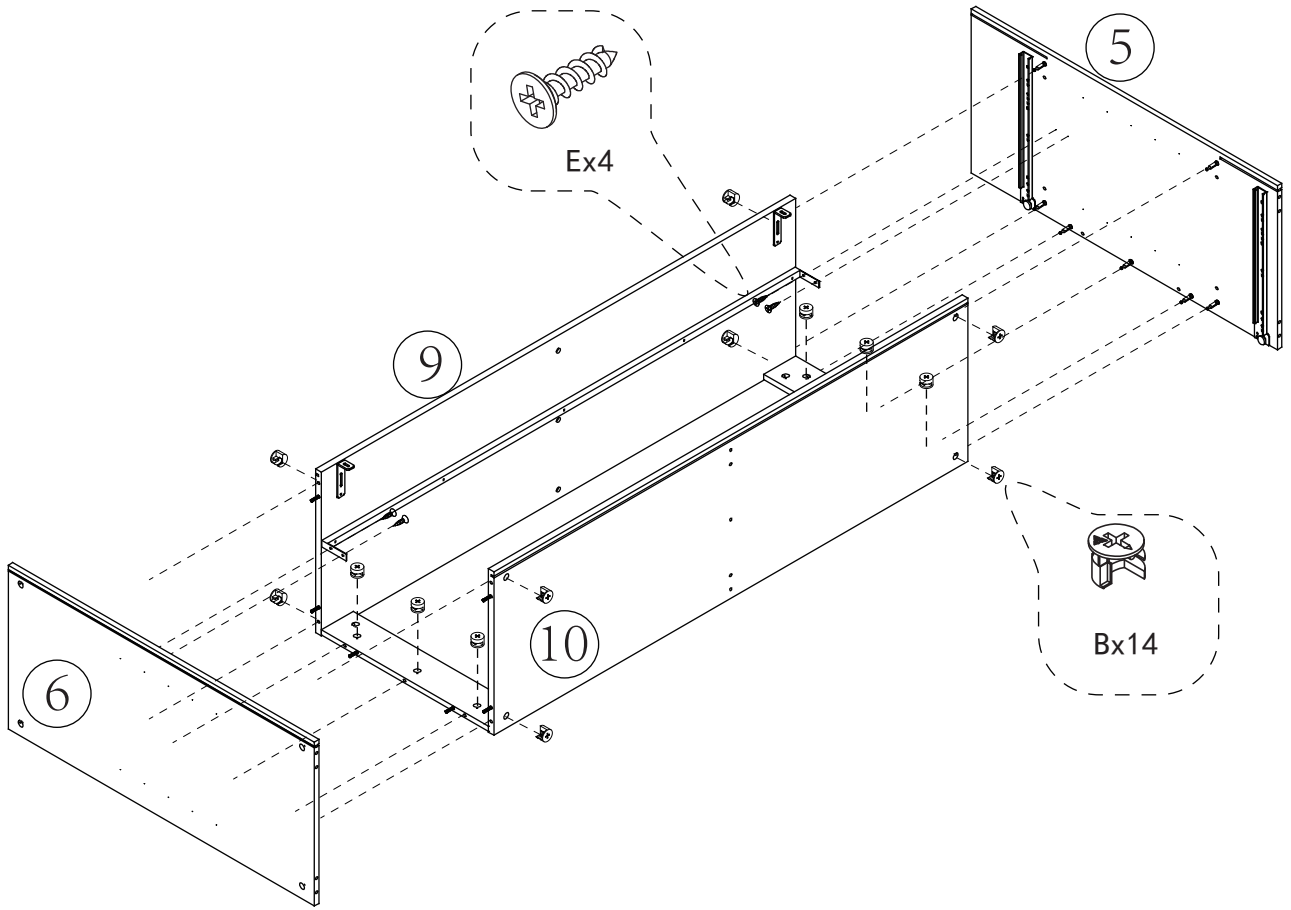
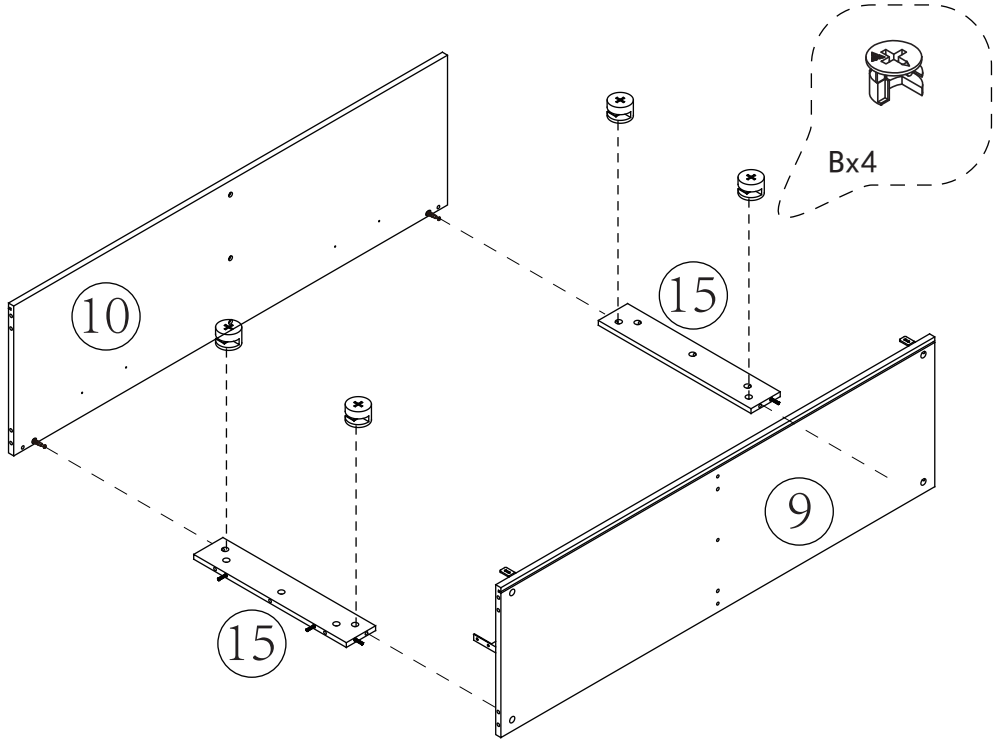
8

A x 6  Ø 7 x 40 mm	C x 20  Ø 8 x 40 mm	D x 6  Ø 7 x 40 mm	
---	--	---	---


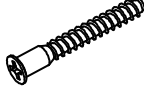
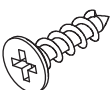
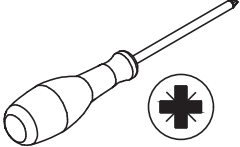


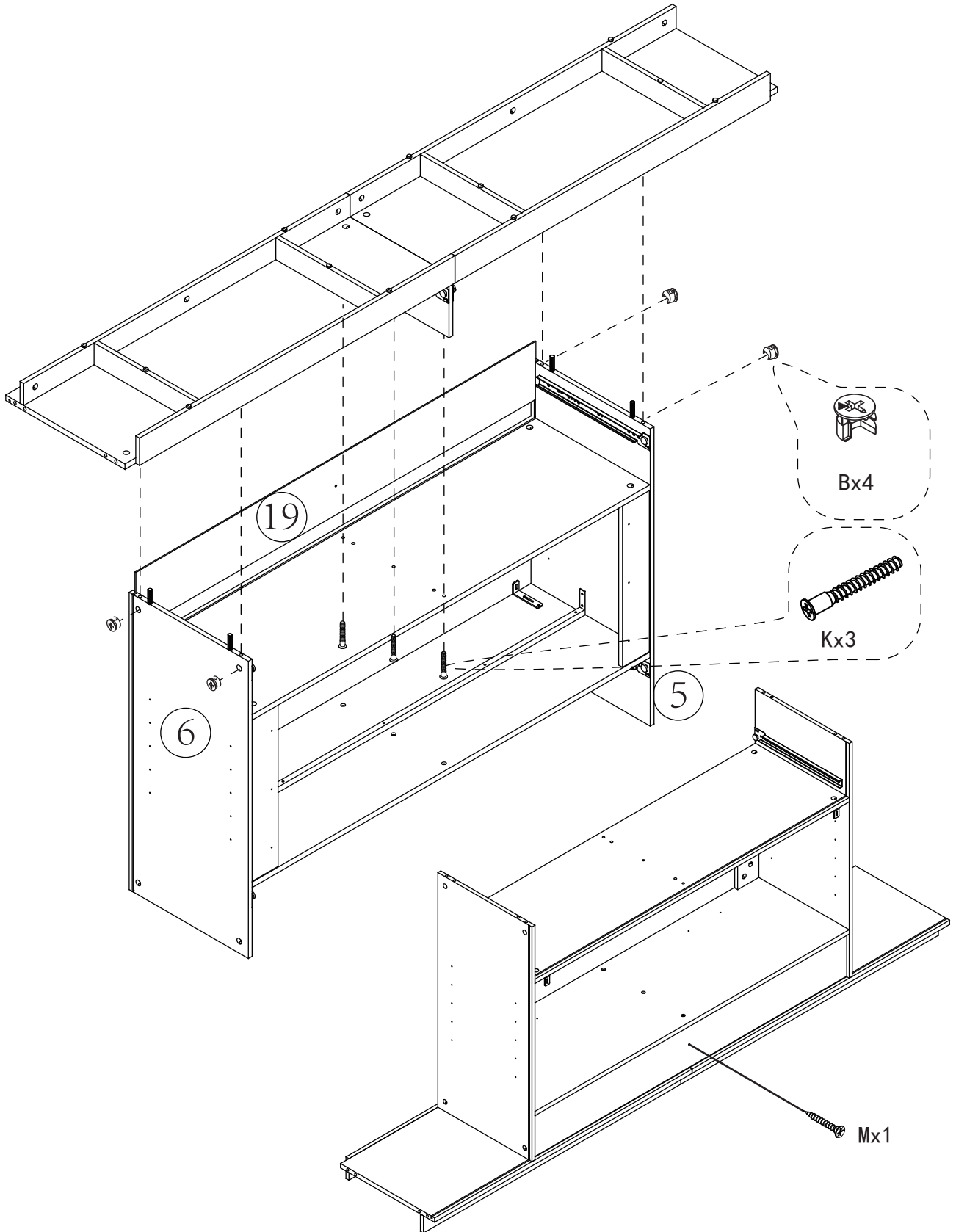
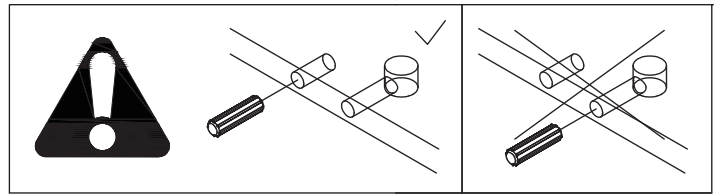
9

<p>B x 18</p>  <p>Ø 15 x 9.5 mm</p>	<p>E x 4</p>  <p>Ø 3.5 x 12 mm</p>	
--	---	--



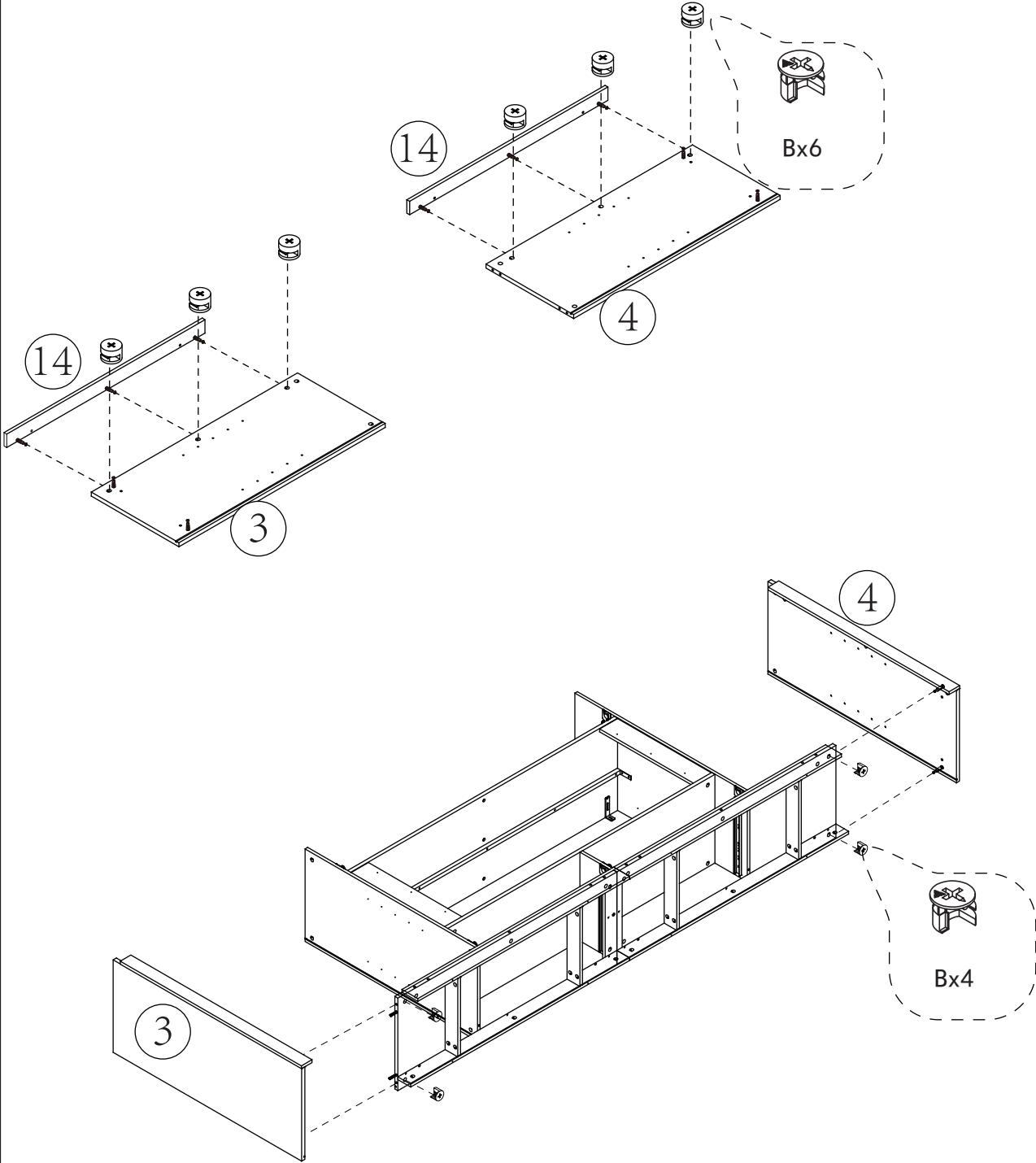
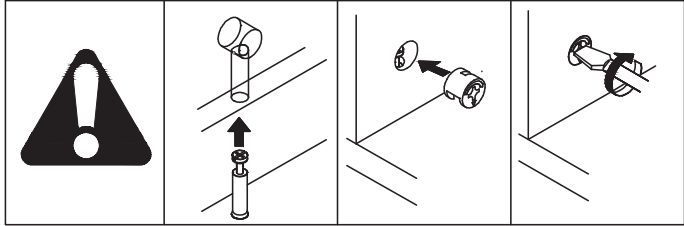
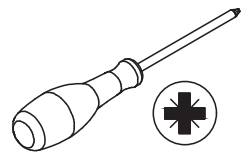
10

<p>Bx 4</p>  <p>Ø 15 x 9.5 mm</p>	<p>K x 3</p>  <p>Ø 5 x 38mm</p>	<p>M x 1</p>  <p>M4 x 25mm</p>	
--	--	---	---



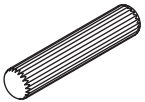
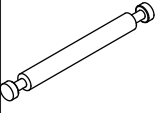
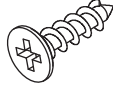
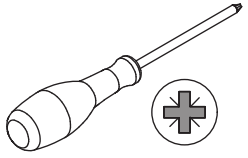


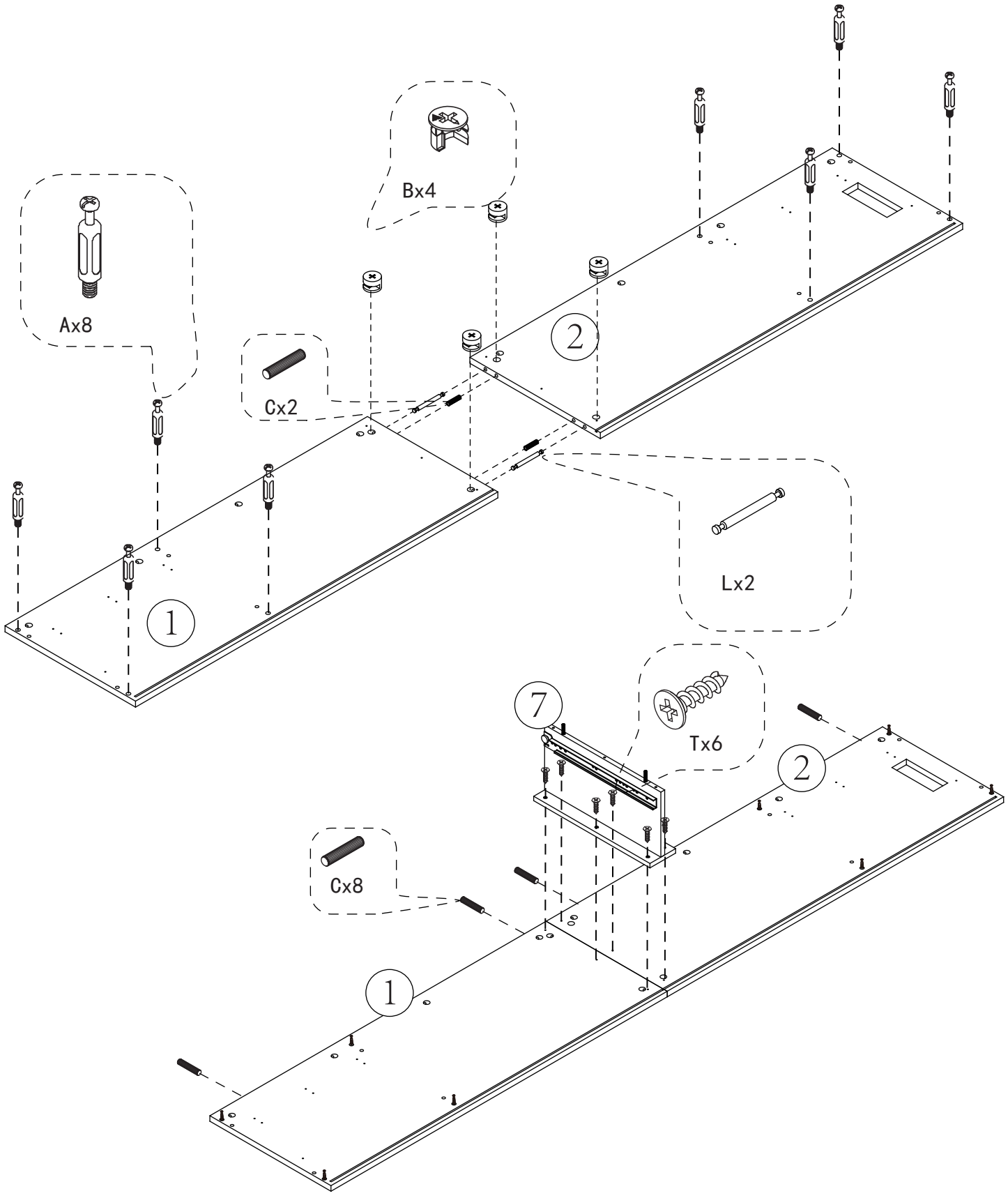
11

B x 10
Ø 15 x 9.5 mm

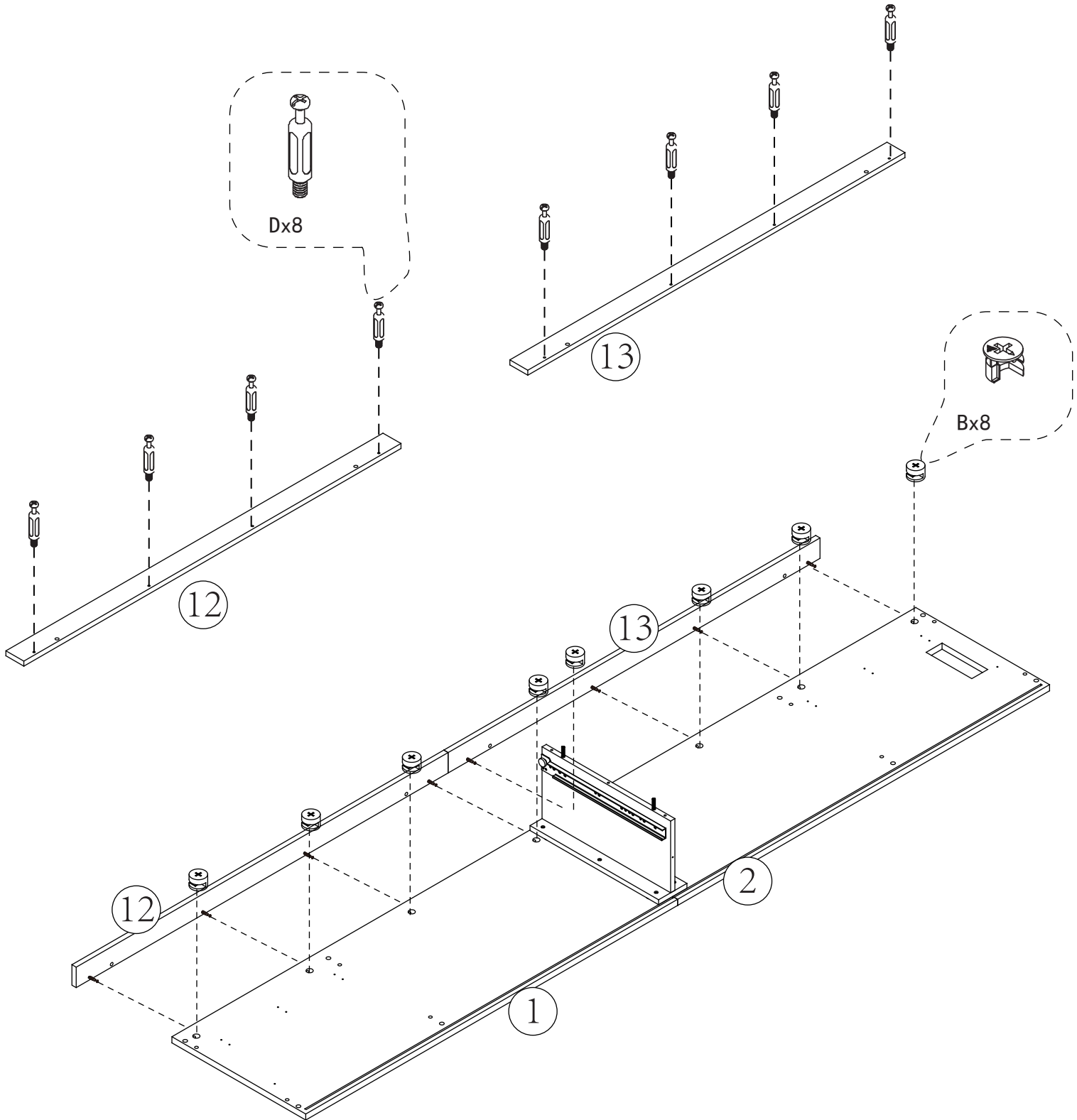
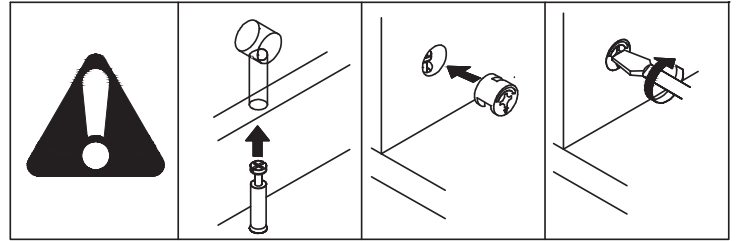
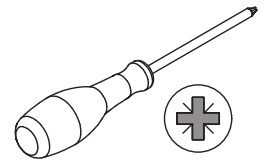
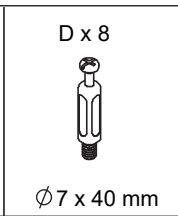
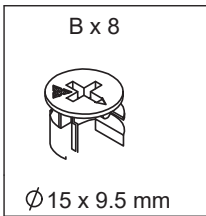


12

<p>A x 8</p>  <p>Ø 7 x 40 mm</p>	<p>B x 4</p>  <p>Ø 15 x 9.5 mm</p>	<p>C x 6</p>  <p>Ø 8 x 40 mm</p>	<p>L x 2</p>  <p>Ø 6 x 64 mm</p>	<p>T x 6</p>  <p>M4 x 20mm</p>	
---	---	---	---	--	--



13



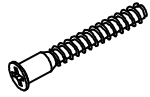
14

B x 8

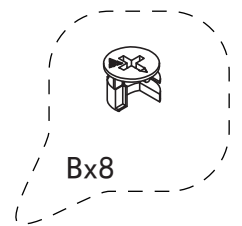
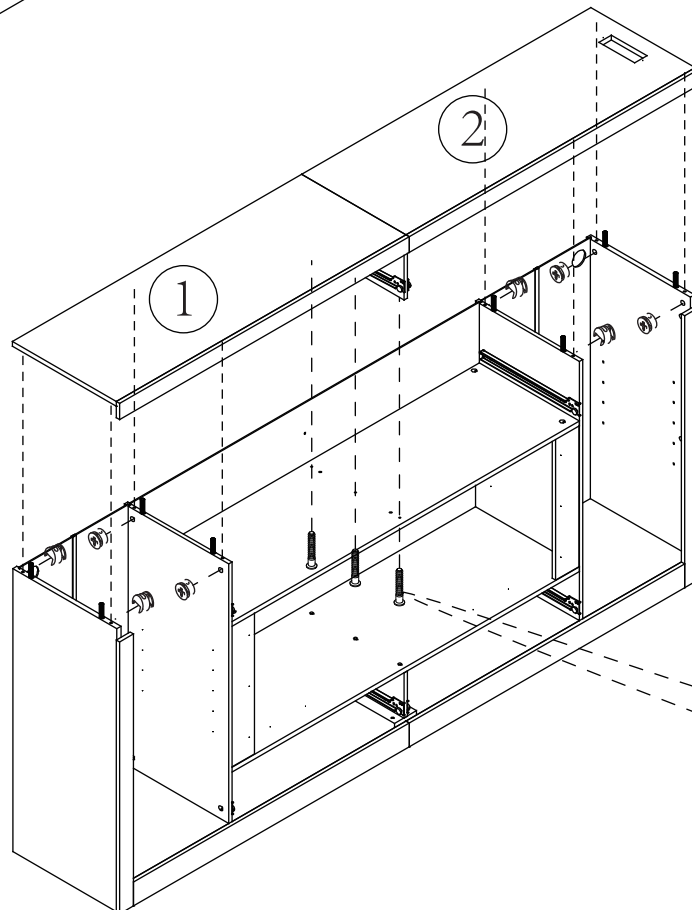
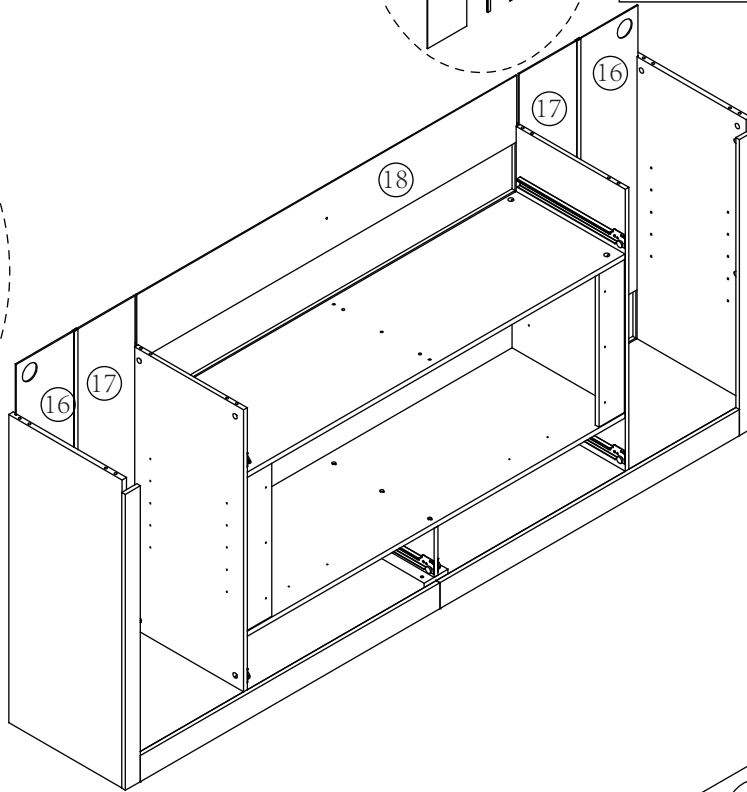
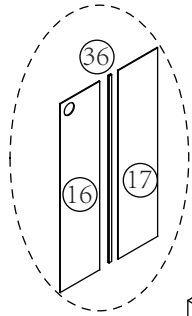
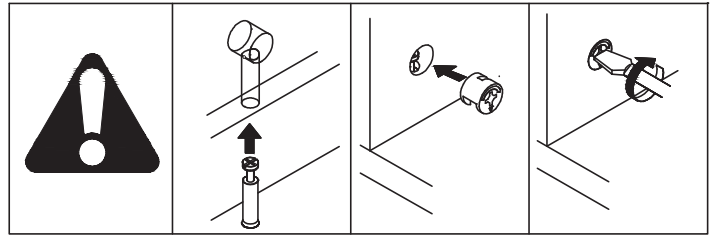
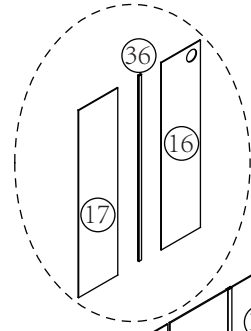
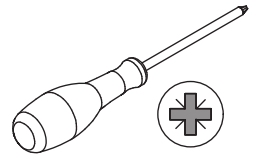


Ø 15 x 9.5 mm

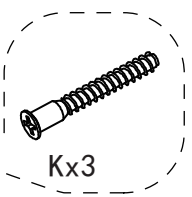
K x 3



Ø 5 x 38mm


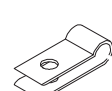
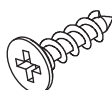

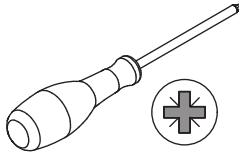


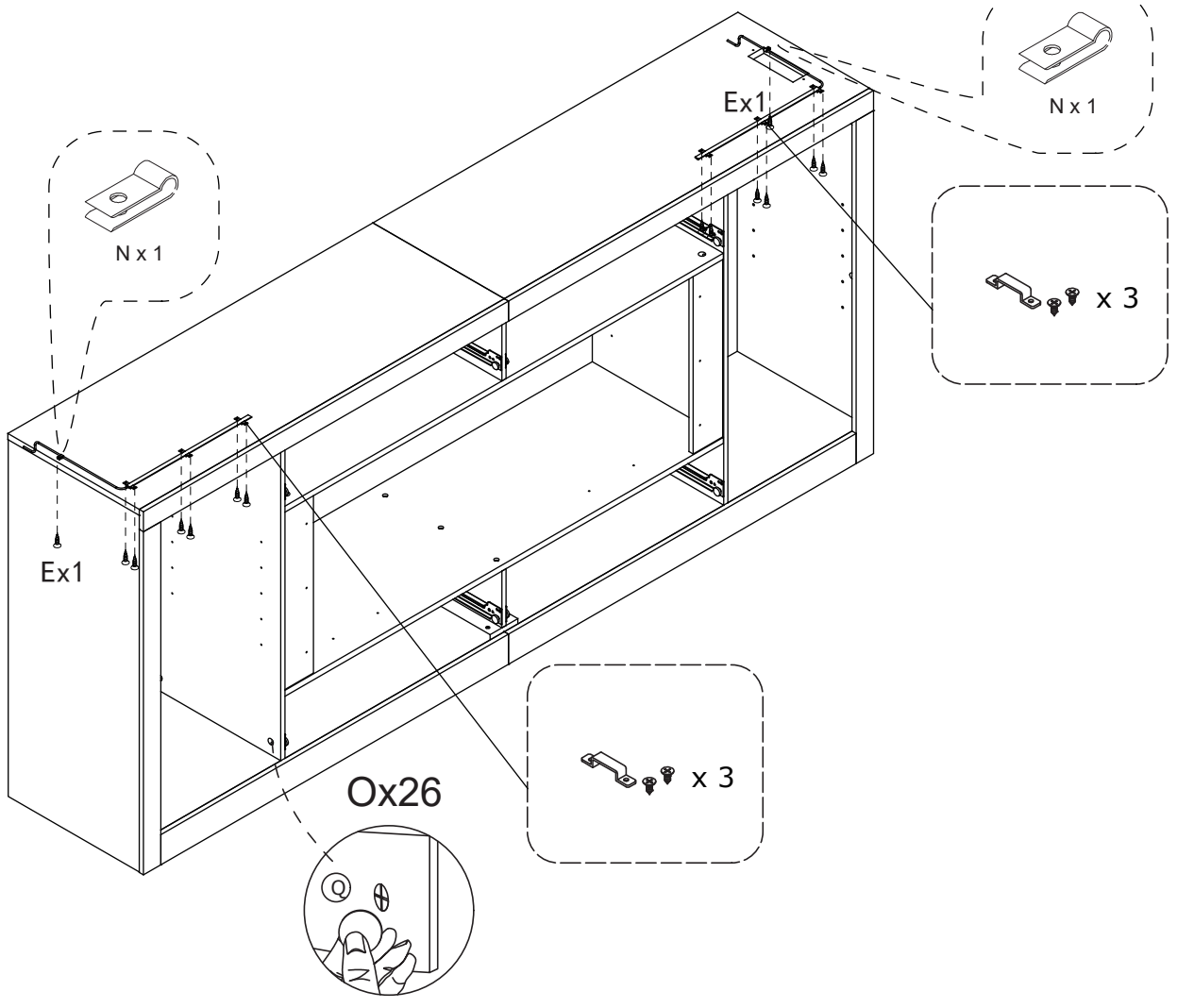
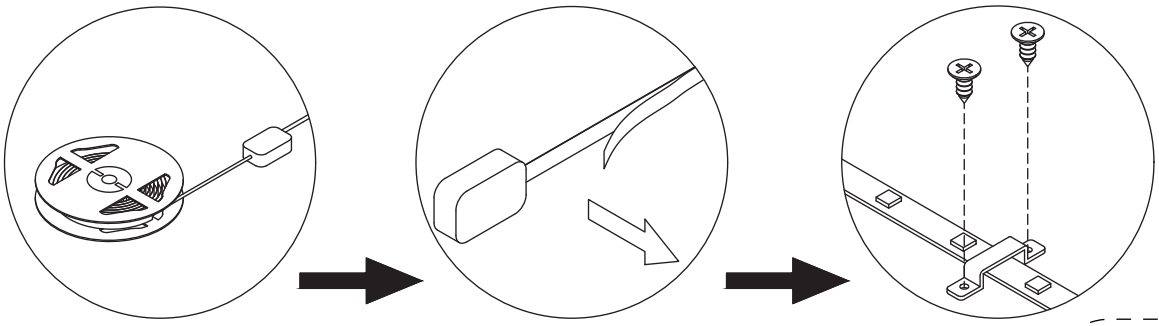
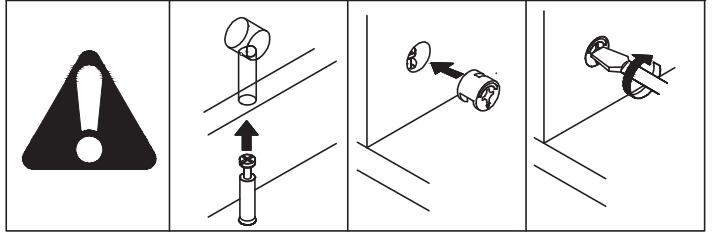
Bx8



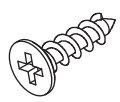
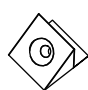
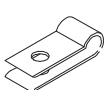
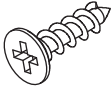
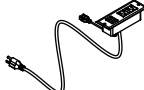
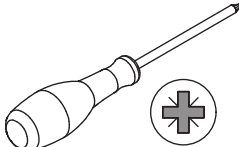

Kx3

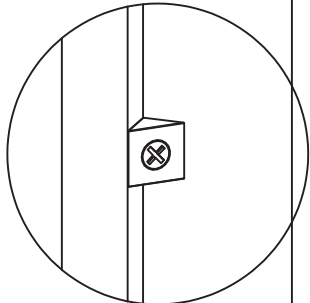
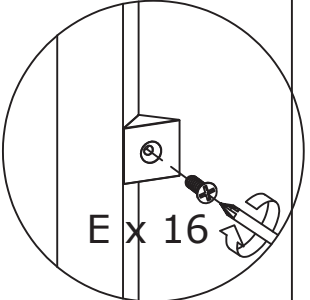
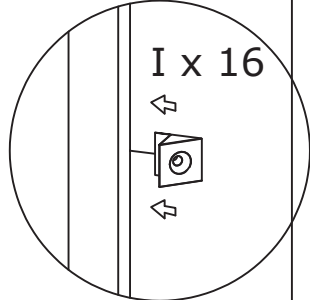
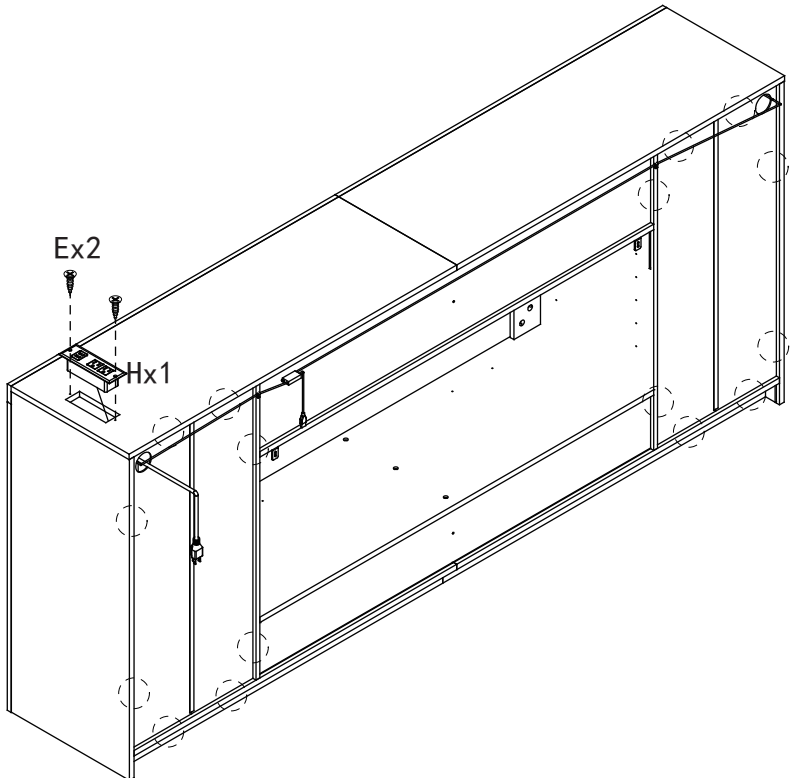
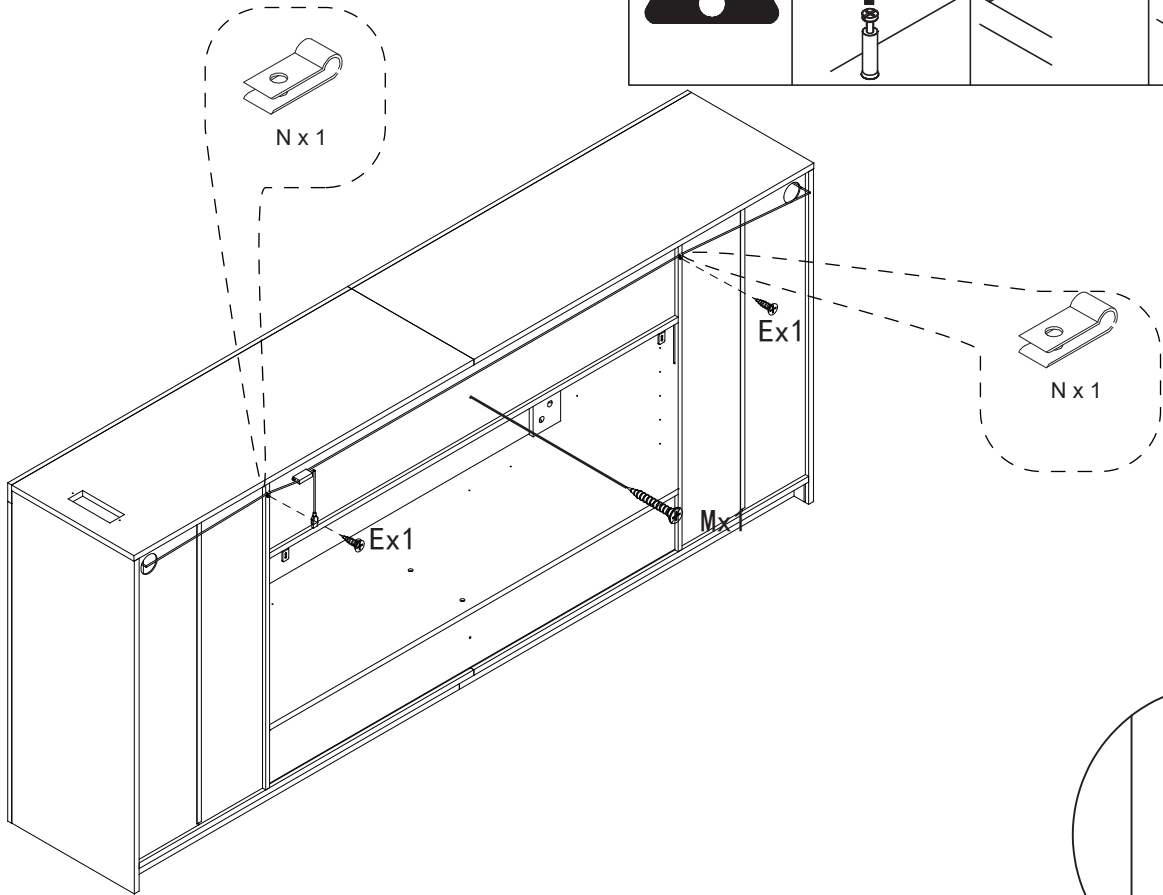
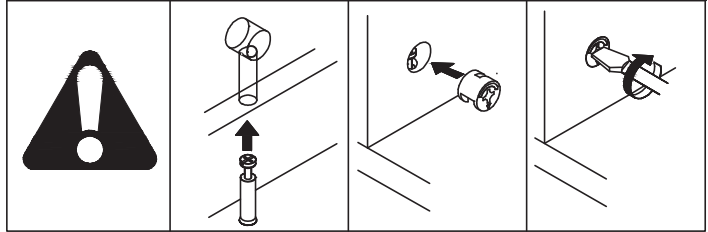
15

<p>G x 1</p>  <p>x 6</p>	<p>N x 2</p> 	<p>E x 2</p>  <p>Ø 3.5 x 12 mm</p>	<p>O x 26</p> 	
---	--	---	---	--



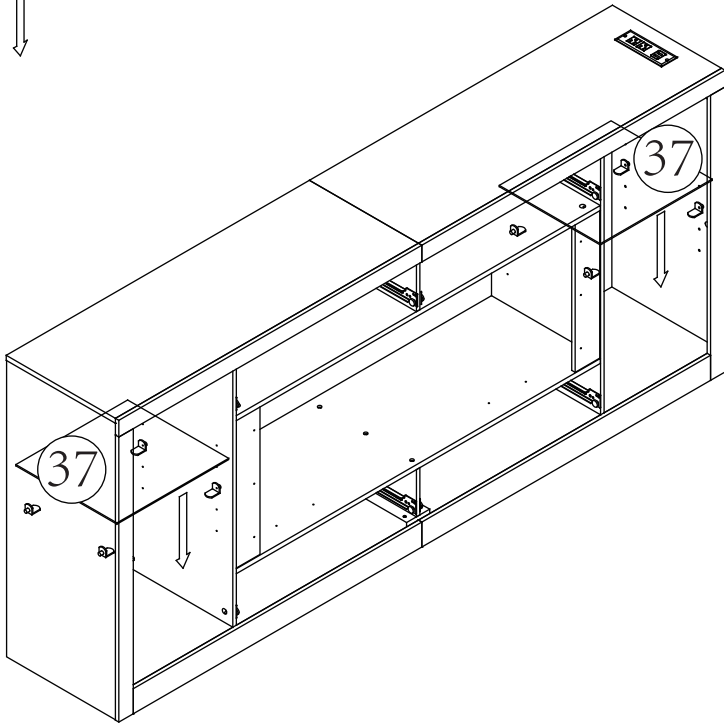
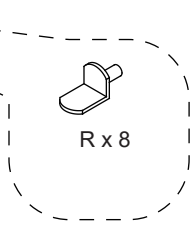
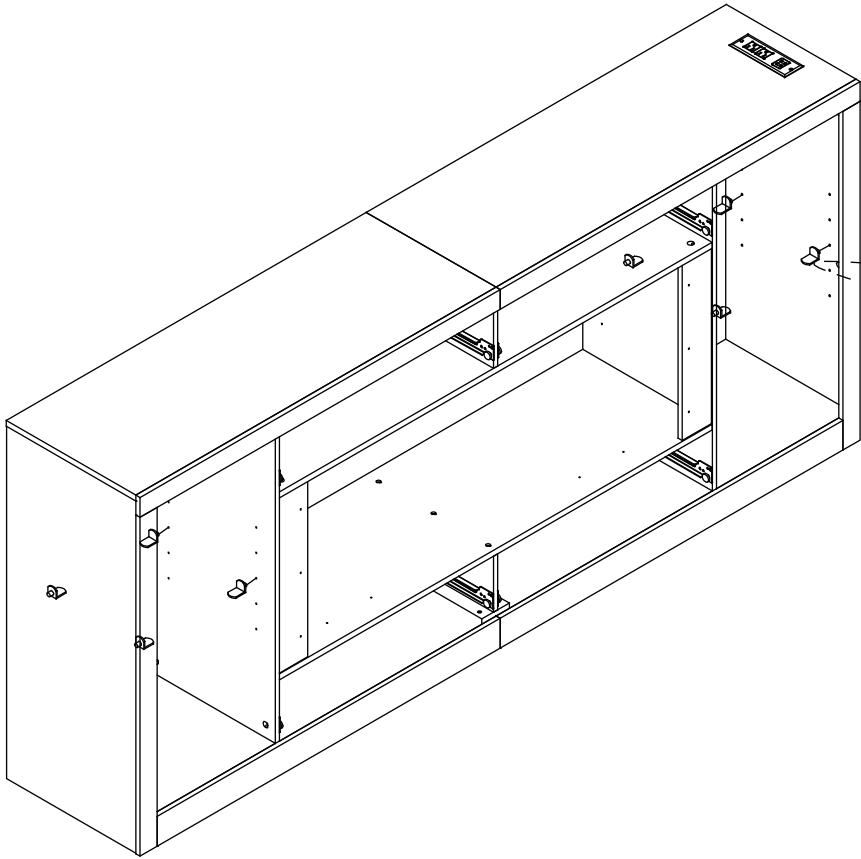
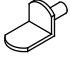
16

<p>E x 20</p>  <p>Ø 3.5 x 12 mm</p>	<p>I x 16</p> 	<p>N x 2</p> 	<p>M x 1</p>  <p>M4 x 25mm</p>	<p>H x 1</p> 	 
--	---	--	---	---	--



17

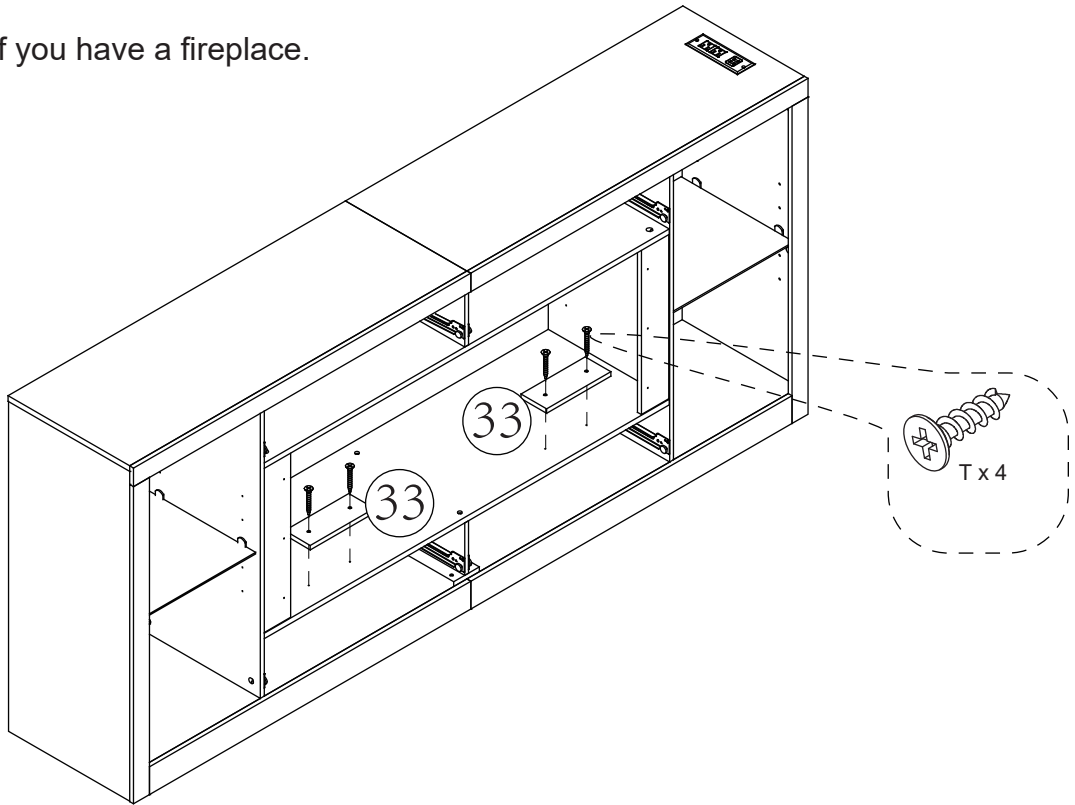
R x 8



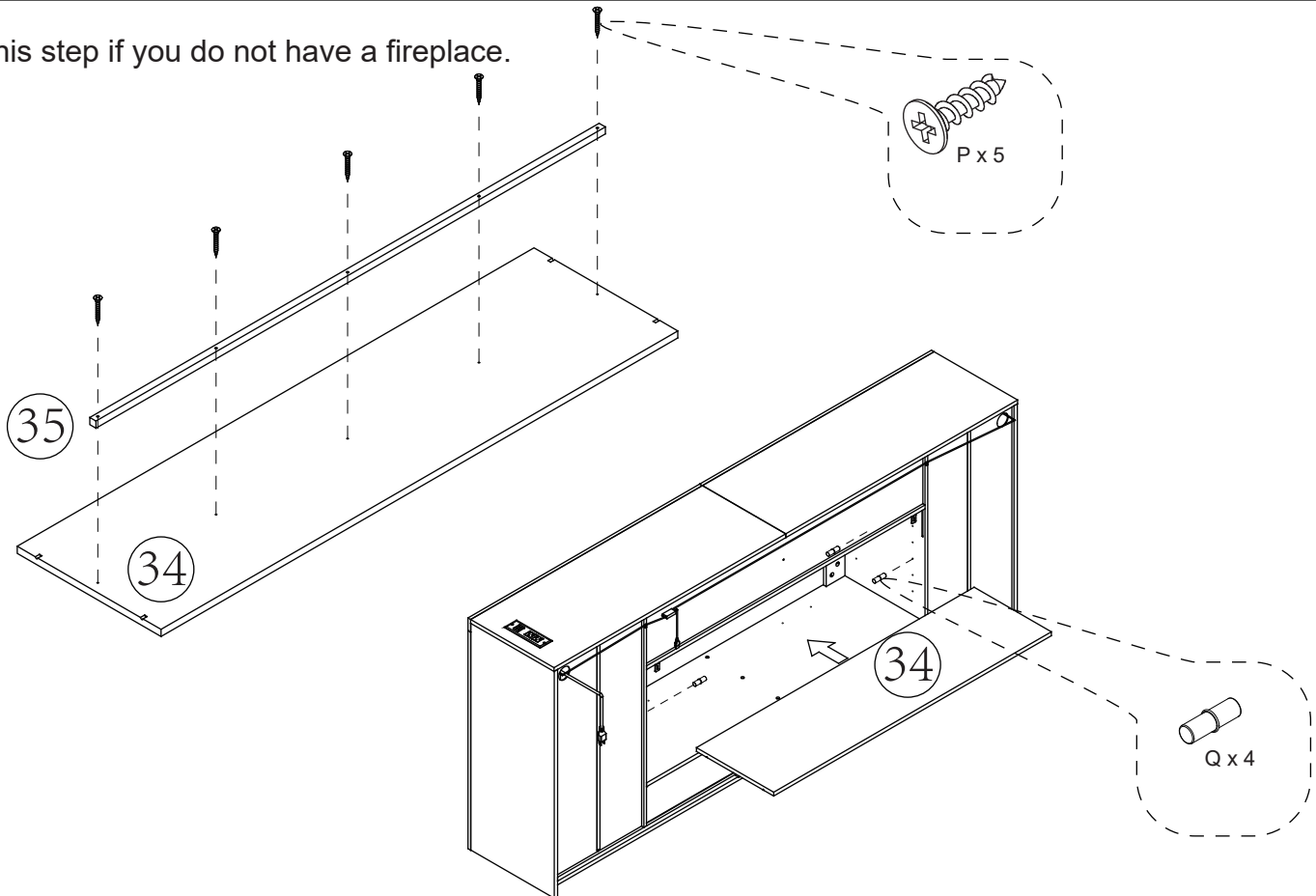
18



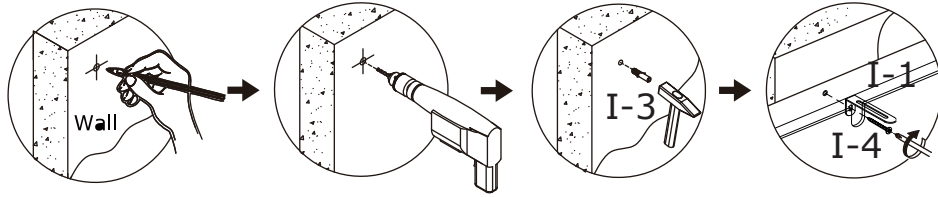
Select this step if you have a fireplace.



Select this step if you do not have a fireplace.



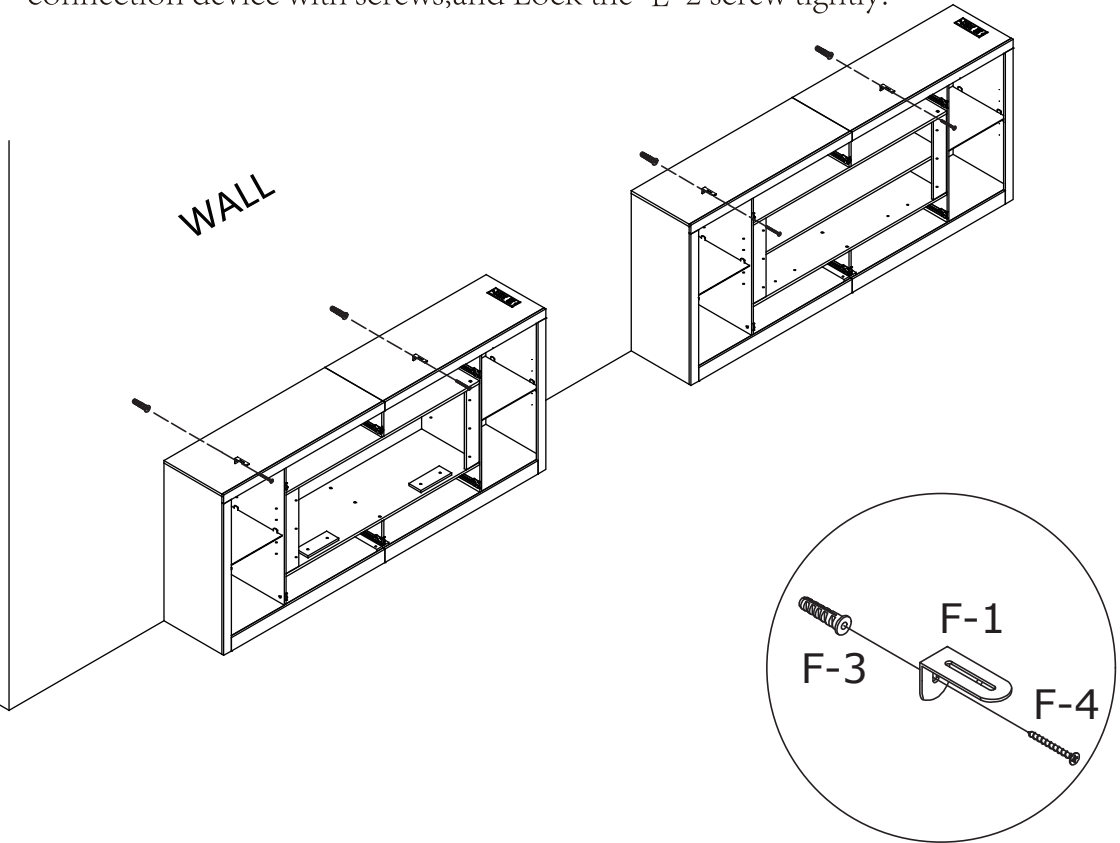
19



A solid wall	B cavity wall	C solid wood
Φ6mm (1/4)	Φ6mm (1/4)	Φ3mm (1/8)

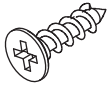
! Warning: If you overturn the furniture, it may cause serious or fatal crushing injuries. We have a wall connection device attached, please use it to hold the furniture following these instructions.

1. Mark the corresponding hole positions where you want to place the furniture;
2. Use a impact drill to drill holes and pay attention to avoid wires and water pipes;
3. Knock the expansion pipes into the wall holes;
4. Place the furniture in the corresponding position and tighten the wall connection device with screws, and Lock the L-2 screw tightly.

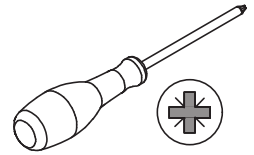


20

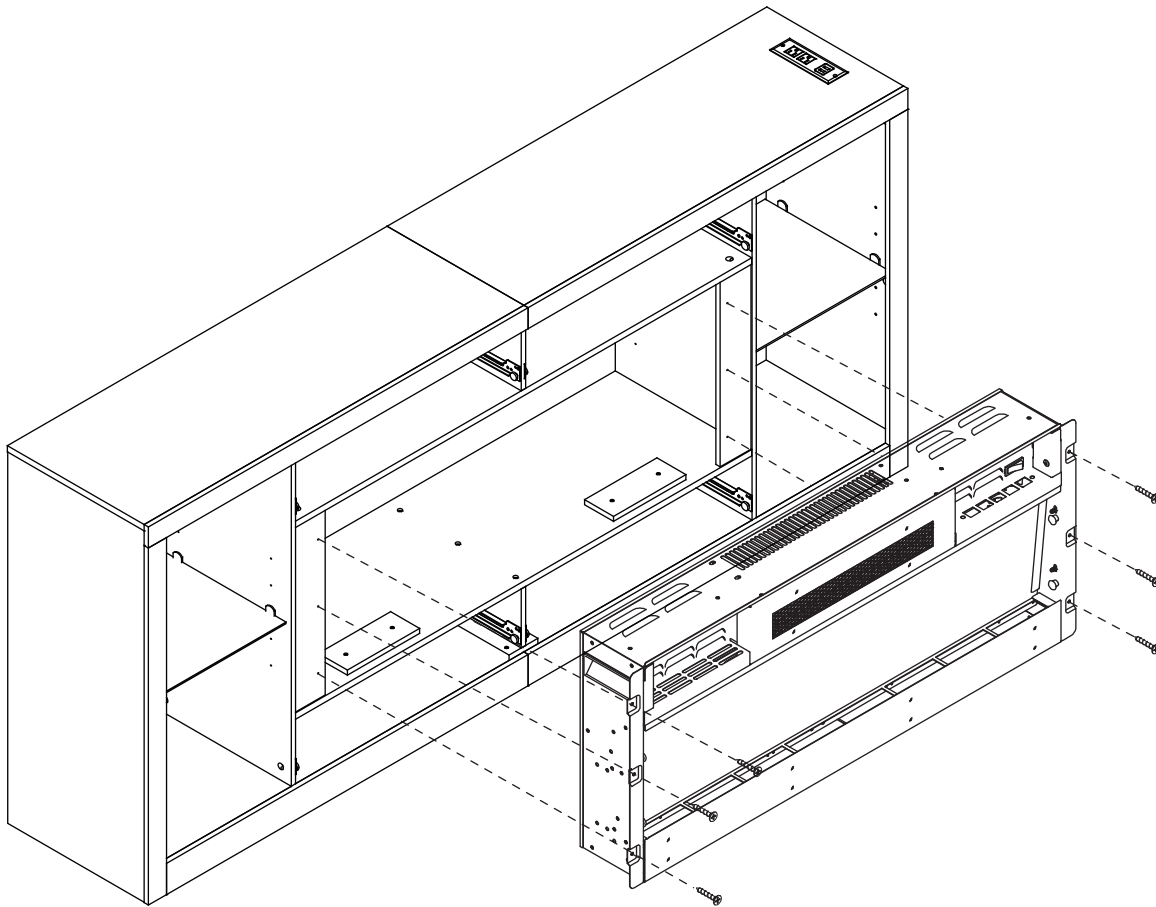
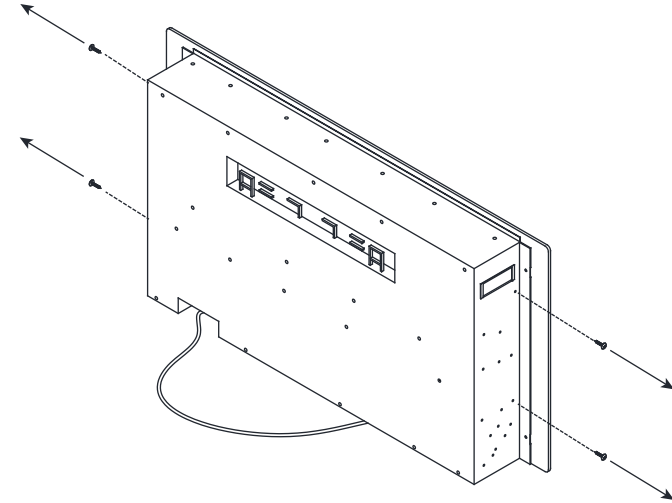
E x 6



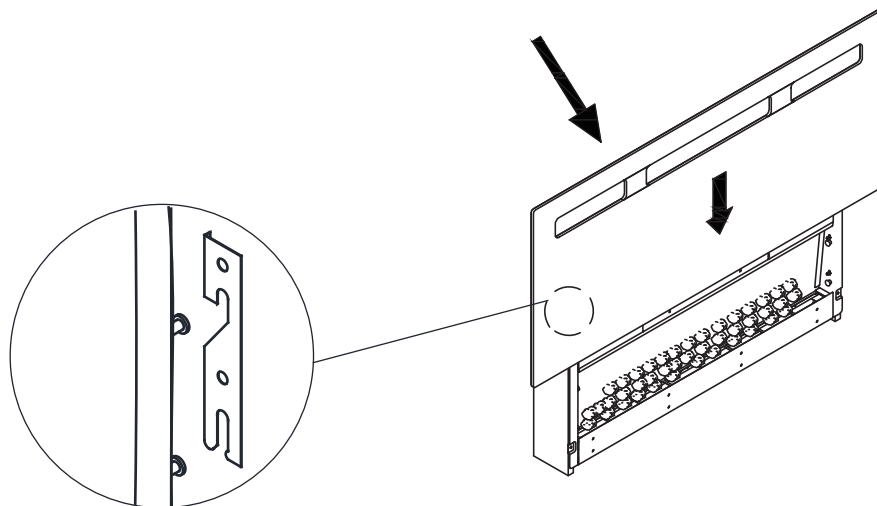
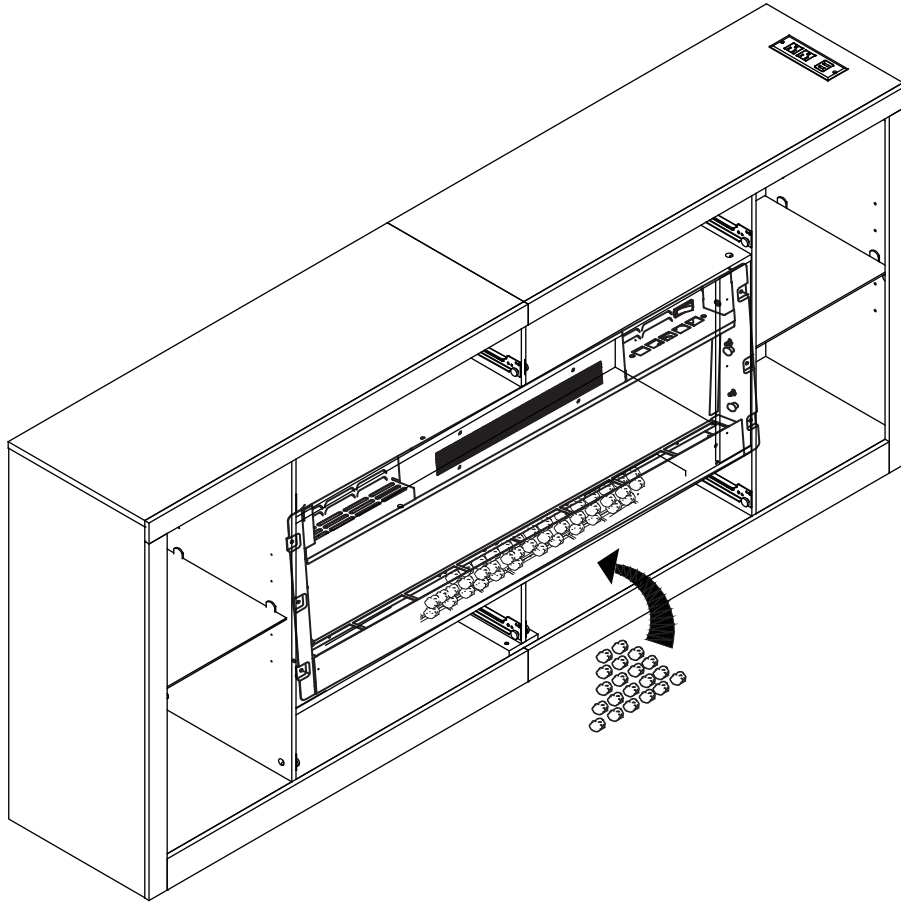
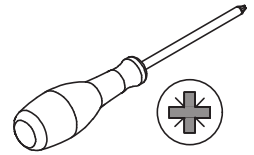
M3.5 x 12 mm



Before attaching fireplace to TV stand, unscrew four silver screws on the both sides of fireplace, Carefully remove the front glass, and place it on a soft and clean surface.



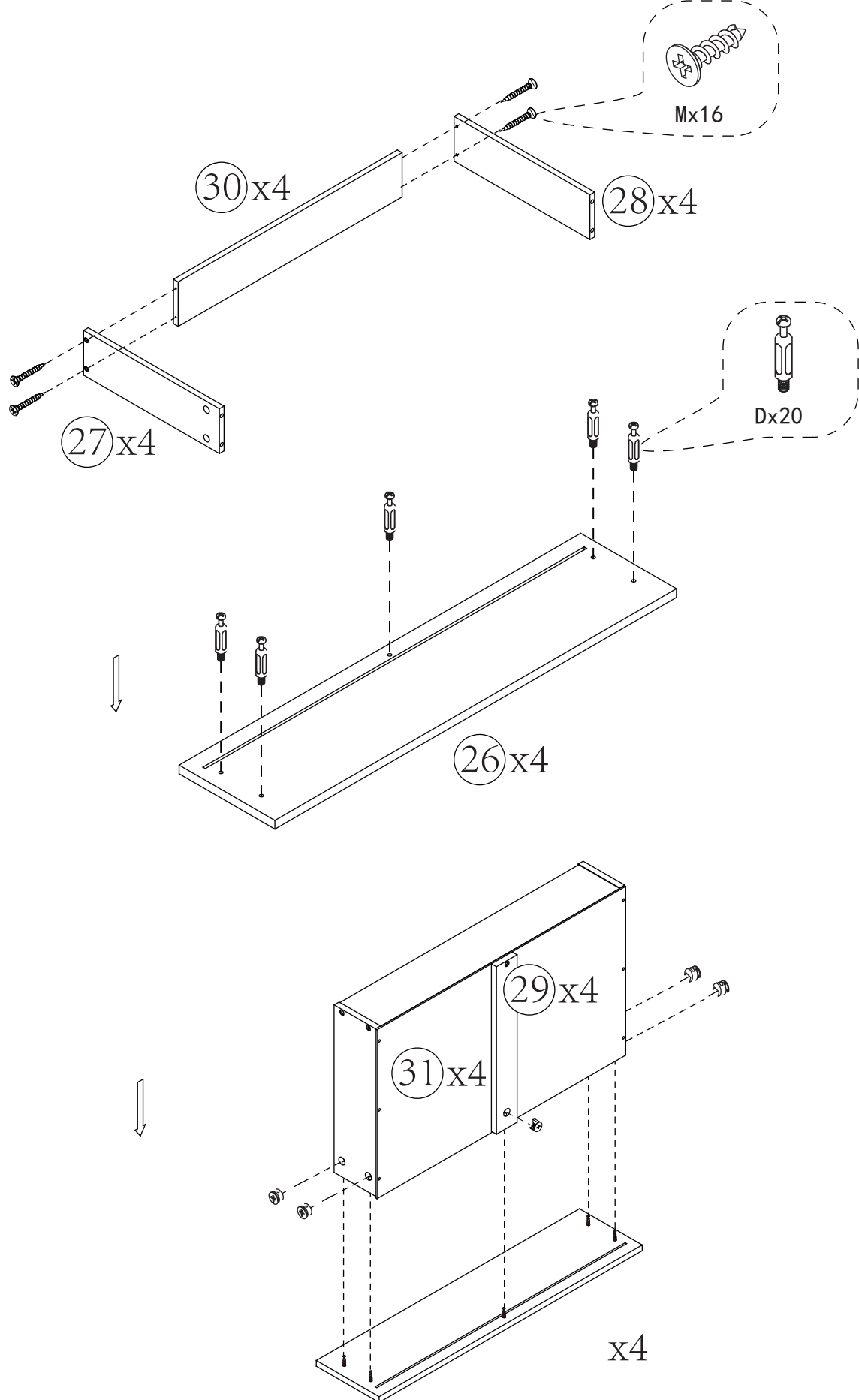
21




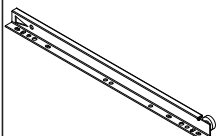
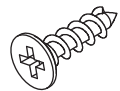
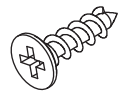
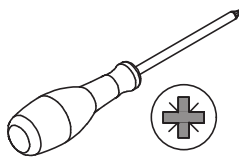
Place the crystal ornament
in the fireplace.

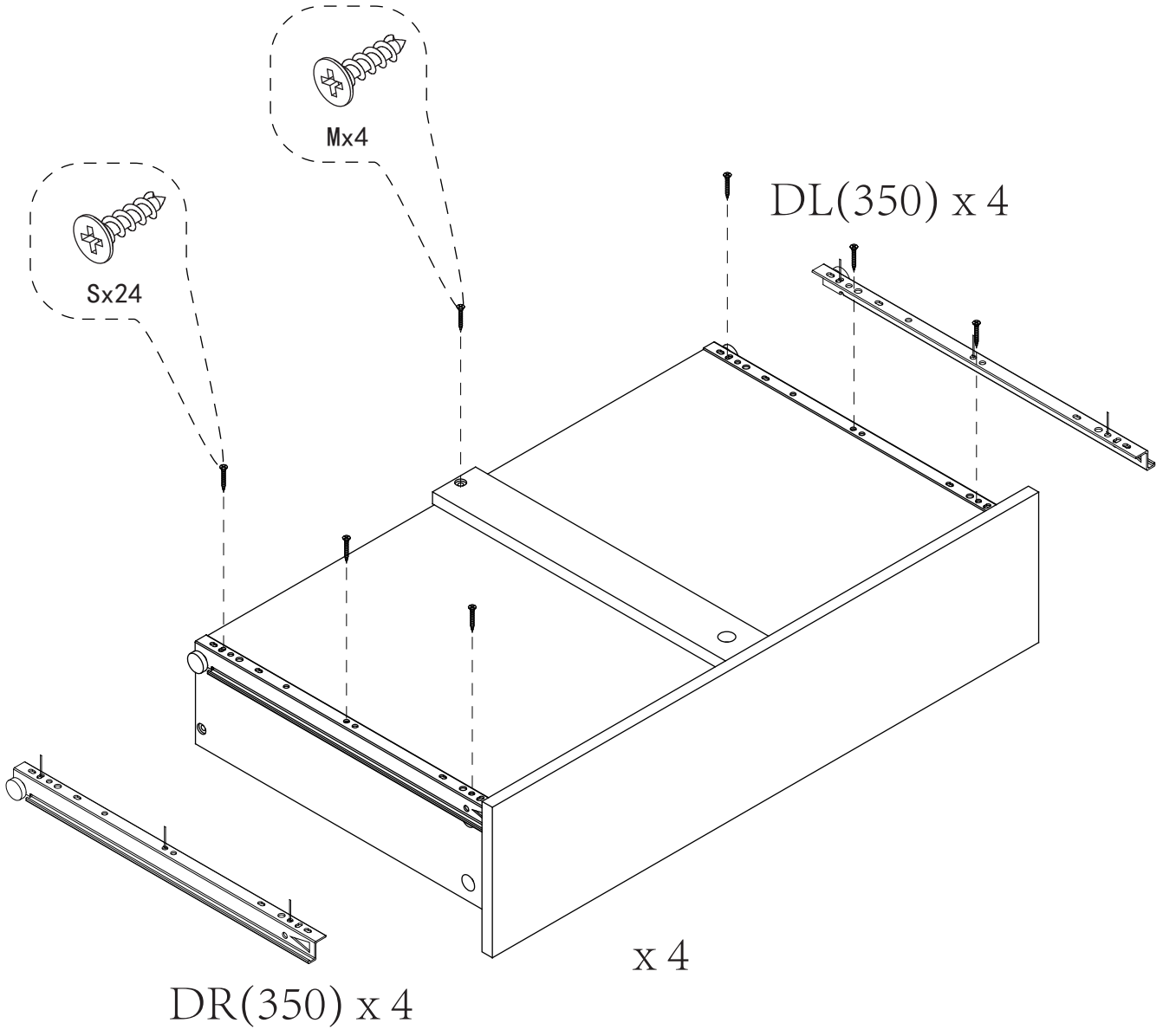
22

<p>B x 20</p>  <p>Ø 15 x 9.5 mm</p>	<p>D x 20</p>  <p>Ø 7 x 40 mm</p>	<p>M x 16</p>  <p>M4 x 25mm</p>	 
--	--	--	---

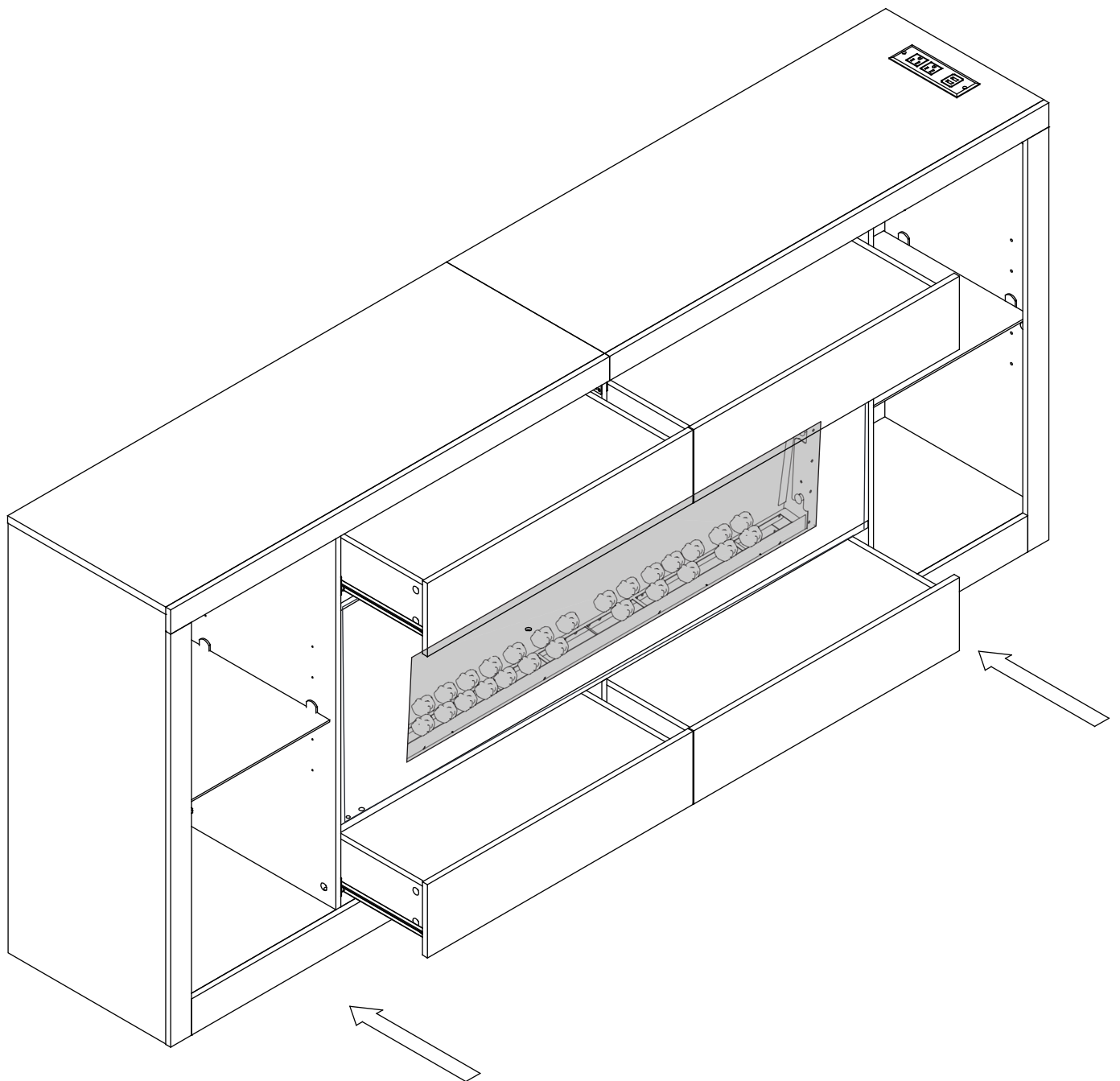
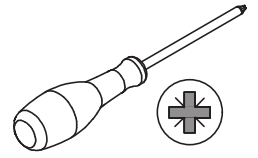


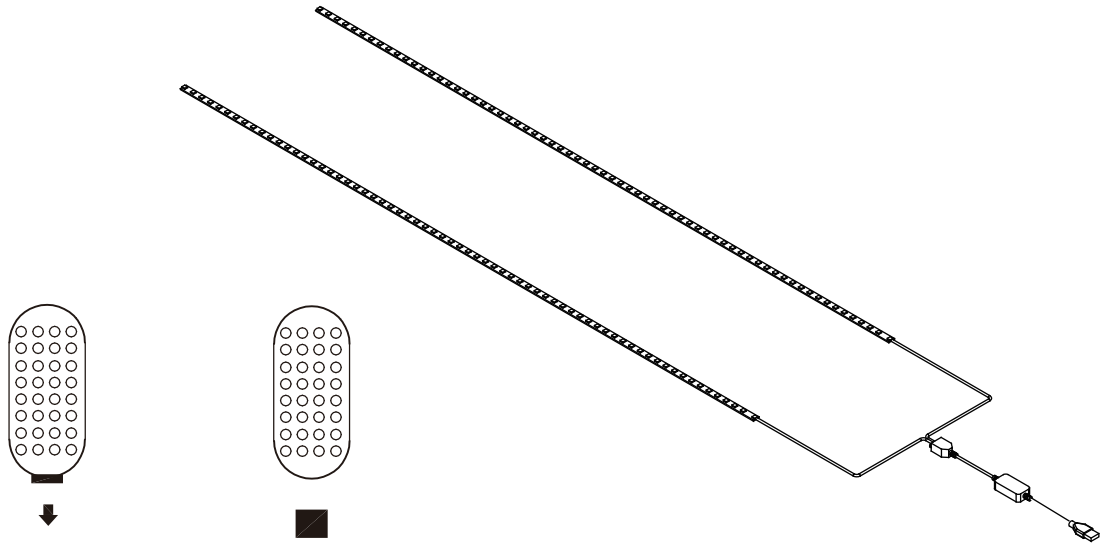
23

<p>DL(350) x 4</p> 	<p>DR(350) x 4</p> 	<p>M x 4</p>  <p>M4 x 25mm</p>	<p>S x 24</p>  <p>M3.5 x 14mm</p>	
--	--	---	---	---

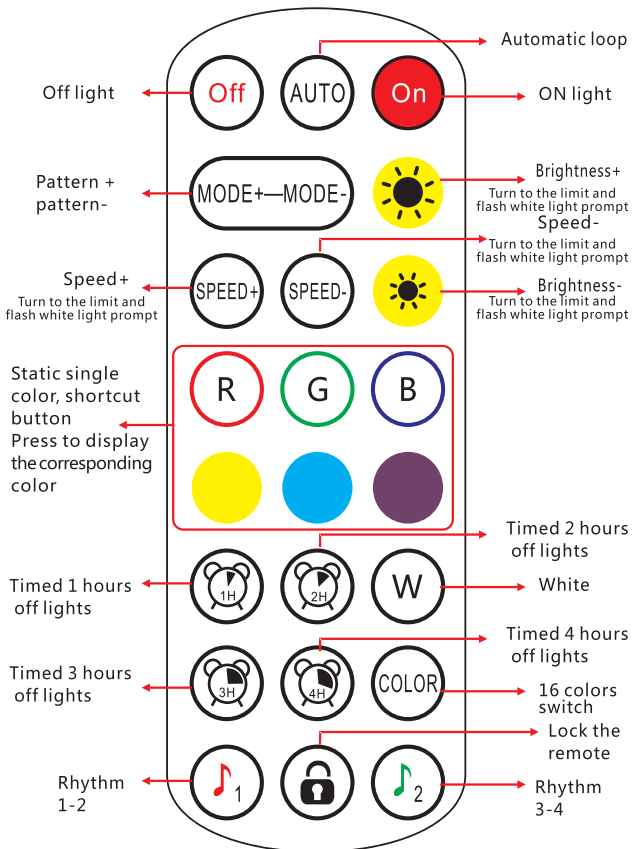


24





LED2022-24KEY



Rhythm 1-2: Single click to switch to 1-2 rhythm mode
 Rhythm 3-4: Click to cycle through the 3-4 rhythm mode
 Remote control lock: After pressing, the remote control is locked, pressing the switch is available, other keys are invalid. After pressing once, the unlock button can be used. After the remote control is locked, press the switch to unlock the remote control.

LotusLantern APP Manual

1. Software Overview

1.1 Overview

LotusLantern is a mobile APP to control LED strip by both IOS and Android phones. The traditional control ways like infrared, 433MHz, 2.4GHz and others old wired ways will be replaced by mobile phone control way with convenient, powerful and scalable features.

Through this mobile APP , you can not only control the color, brightness and color temperature of the LED strips but also set up all kinds of fancy flash mode ; Also this APP can change the light of the LED strip according to the rhythm of the music. This APP can set and control several LED strips through Bluetooth and the operation is very simple, easy to learn and easy to use.

1.2 Features

- Adjust color LED strips with 60,000 colors to change color and brightness and adjust monochrome LED strips to change brightness and color temperature
- Play music or turn on a sound playback device, you can let the light change the color and brightness with the rhythm of music, the music rhythm beautiful
- Inside multiple setting mode for color change and control LED strips without mobile
- Long distance control with omni-directional antenna, and many-to-many group control mode
- Once the connection is successful, connect automatically next time

1.3 Performance

LotusLantern APP is easy for use as well as great compatible with all kinds of smart phones; After the actual test of hundreds of mobile phones verification, the compatibility is above 95% of mobile phones in the market. APP is small and convenient, it consumes less system resources, so the requirements of the mobile configuration are low. Control delay is small, the operation feels good, light control is smooth with people's visual sense.

2. Operating Environment

This APP program requires phones of system above Android 4.3 and iOS 8.0. Mobile phone configuration is not limited.

3. Instructions

Note: Android version and iOS version download and use the same method, here in the Android version as an example.

3.1 APP Download

Scan the QR code

iOS and Android systems can download the "LotusLantern" APP by scanning the QR code. Open the browser or other tools with "Scan QR code" function, scan the "LotusLantern" QR code as below:



26

APP PROGRAM USAGE

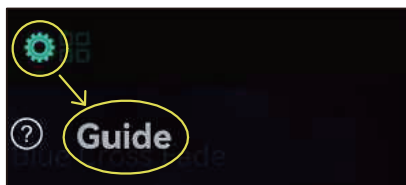


Scan two-dimensional code download APP

- ① Connect LED color strip and controller, power on controller
- ② Scan two-dimensional code download APP:



- ③ Start APP, search and connect controller
- ④ Enjoy the Bluetooth wireless control experience



Notes:
detailed operating instructions,
enter the menu "Guide":

Product Parameters:
- Bluetooth: BLEV4.2
- Working Temp:-25~75°C
Control distance: 20m
Language Support: English/ Chinese

Important Note:

Single Device Connection

The LED can only be controlled via Bluetooth using one smartphone at a time. It is not possible to control the LED with more than one smartphone simultaneously.

Switching Devices

Disconnecting Previous Device: To connect a new smartphone, you must first disconnect the Bluetooth connection from the previously connected phone.

Animation Effects:

- Colorful gradients, single and dual-color transitions
- Various single, dual, and multicolor flashing modes
- Dynamic color jumps
- Lights change with the beat of your music