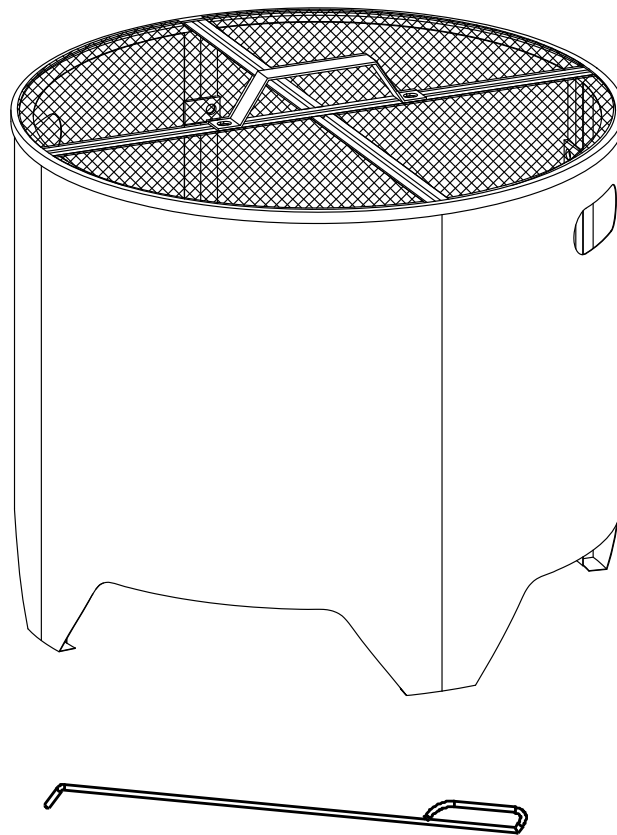


# FIREPIT

| A301056641 |

## Assembly and Safety Instructions



[www.sunjoyonline.eu](http://www.sunjoyonline.eu)



[helpme@sunjoyonline.eu](mailto:helpme@sunjoyonline.eu)

# ASSEMBLY AND SAFETY INSTRUCTIONS

---

Thank you for your purchase! If you have any questions, issues or recommendations please feel free to reach out to us.

Please pay close attention to the following instructions in order to reduce the risk of injuries, accidents or damage to the product by itself.

## IMPORTANT

---

Please follow ALL safety instructions listed below.

Please remove the packaging material before assembling or using the product.

Please make sure that all listed parts are included in the package and that they are not damaged.

Read the installation, operation and maintenance instructions thoroughly before installing or servicing this equipment.

This outdoor fire pit is NOT for commercial use.

## SAFETY INFORMATION

---

**Warning - please keep plastic and small spare parts out of children's reach. The thin film may cling to nose and mouth and prevent breathing.**

Improper installation, adjustment, alteration service or maintenance can cause injury or property damage. Failure to follow these instructions could result in fire or explosion, which could cause property damage, personal injury or death.

**DANGER** - The fire pit is for outdoor use only, and shall NOT be used in a building, garage, or any other enclosed area.

Do NOT use this outdoor fire pit for indoor heating. TOXIC carbon monoxide fumes can accumulate and cause asphyxiation.

**WARNING** - Do NOT leave a lit outdoor fire pit unattended, especially around children and pets.

**WARNING** - Do NOT use gasoline, kerosene, diesel fuel, lighter fluid or alcohol to light or relight fires.

This is dangerous and may damage the coating of the fire pit.

This outdoor fire pit is for use with dry, seasoned hardwood. It will burn hotter, more completely and create less smoke.

**FIRE HAZARD - Do NOT use in windy conditions.**

Always use this outdoor fire pit on a hard, level non-combustible surface such as concrete, rock or stone. An asphalt or blacktop surface may not be acceptable for this purpose. Do NOT use on wooden decks.

Place the fire pit at least 2m away from structures and trees.

**WARNING** - All surfaces of this outdoor fire pit are hot when in operation. To avoid burns, do NOT touch the fire pit until it has completely cooled unless you are wearing protective gear.

The fire pit may get very hot. DO NOT move the fire pit while in use.

Make sure that the fire is completely extinguished before you leave the fire pit.

Use long, sturdy fire pit tools when adding or moving logs.

## **ASSEMBLY & USAGE**

The screws must be tightened manually, using a hexagon key or an automatic screw driver, set at a max. level 2, to avoid material wear.

Please make sure to find a flat and even ground base that is suitable for the assembly of the product and its intended usage.

Place the fire pit on an even, stable and non-flammable surface ONLY.

Place the fire pit at least 2m away from structures and trees.

Always empty this outdoor fire pit before each use. Leave a thin layer of ash to protect the bottom.

## **CARE & STORAGE INSTRUCTIONS**

This fire pit is made out of steel. The exposure to the weather will lead to rust. This has no impact on the usability of the fire pit and is not considered a product defect.

Please use a chemical-based rust dissolver or natural methods including scrubbing with steel wool or using distilled white vinegar to remove rust from the fire pit. After the rust is removed, the fire pit should be repainted and resealed to prevent rust from returning.

This outdoor fire pit should be thoroughly inspected and cleaned on a regular basis. Do not use when damaged.

Do NOT move or store this outdoor fire pit until the fire is COMPLETELY out.

Once the fire is out, coals are cold and the outdoor fire pit is cool to the touch, remove ashes and properly dispose.

Store assembled in a location away from children and pets.

**NOTE** - If you do not use a cover, store this outdoor fire pit in a dry location to maximize product life.

## **LIGHTING**

---

This outdoor fire pit is for use with dry, seasoned hardwood. It will burn hotter, more completely and create less smoke.

Make sure there is only a small amount of ash in the bottom of the bowl.

Place a layer of dry kindling or a natural firestarter onto the center of the grate.

Place above that a layer of dry seasoned hardwood that is cut to lengths no more than 3/4 the diameter of the bowl.

Use a match to light kindling or firestarter.

Replace spark arrestor by using the fire tool once the kindling or firestarter is lit.

## **EXTINGUISHING**

---

Allow fire to burn itself out.

Do NOT use water to extinguish as this is dangerous and can cause damage to this outdoor fire pit.

## **ENVIRONMENT & SUSTAINABILITY**

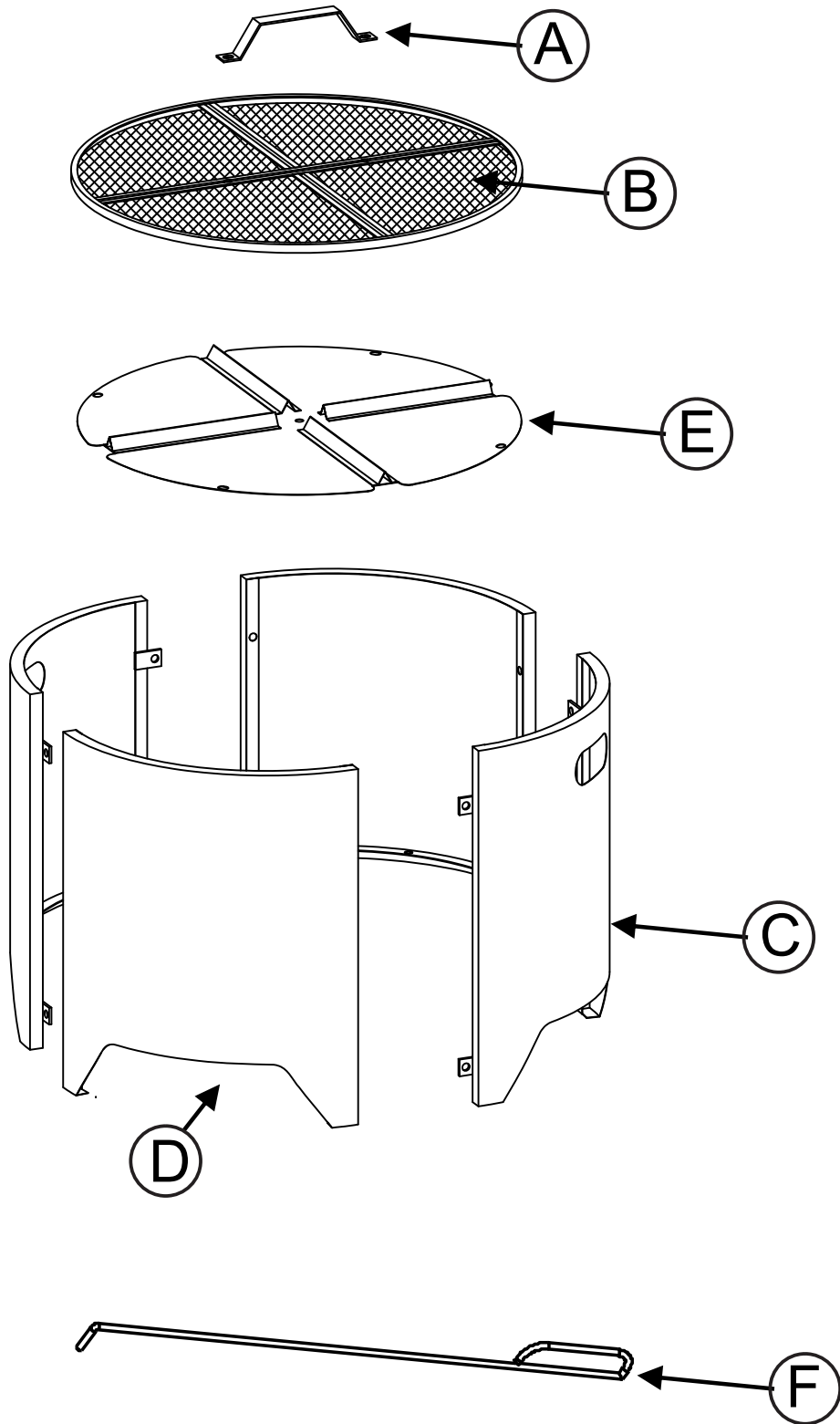
---

Please help us take care of our planet by recycling this product after usage. Please do not dispose of the product or any of its components with ordinary garbage, but recycle it. If in doubt, please contact us or an authorized sales representative. We will be happy to help you recycle the product correctly, at the same time preserving the environment.



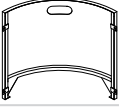
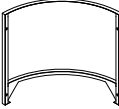


## **CUSTOMER SERVICE**

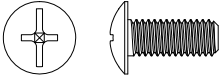

---

If you need any further assistance or information, please do not hesitate to get in touch with us via email: [helpme@sunjoyonline.eu](mailto:helpme@sunjoyonline.eu).

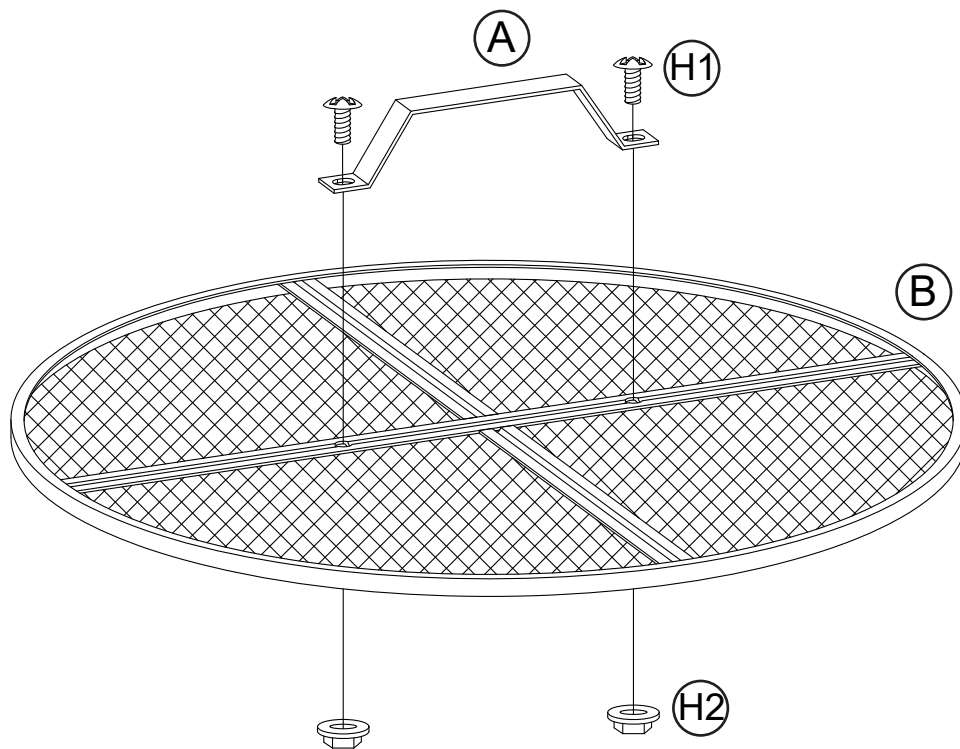
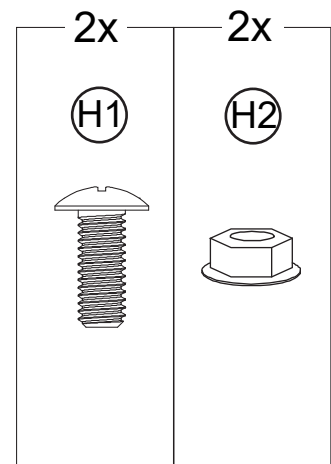
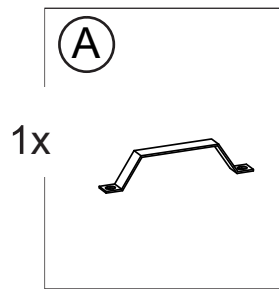
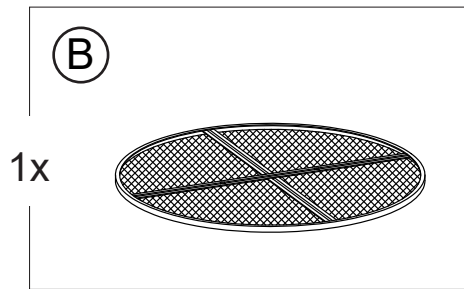


# PARTS LIST

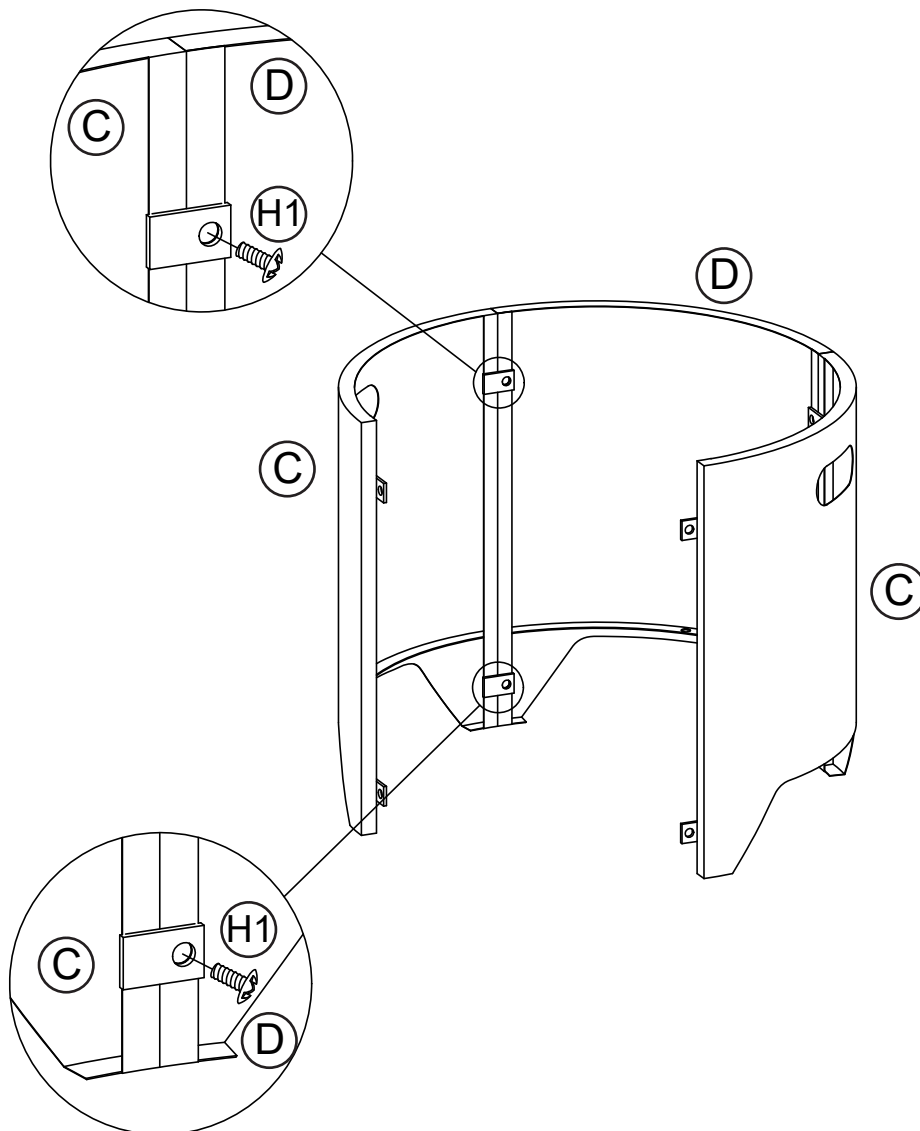
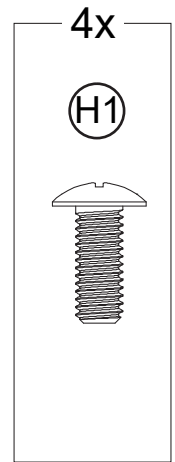
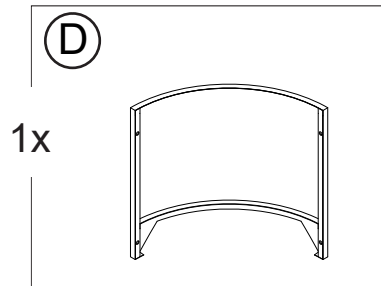
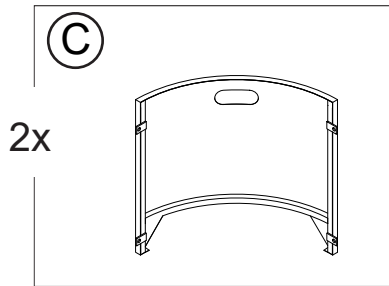
Label	Part Number	Qty	Part Image
A	P00510044203	1	
B	P00310016202	1	
C	P00240011202	2	
D	P00240011302	2	
E	P00430018202	1	
F	P00270004101	1	

Label	Part Number	Description	Qty	Part Image
H1	H010110016	M6*15	14	
H2	H040020004	M6	2	

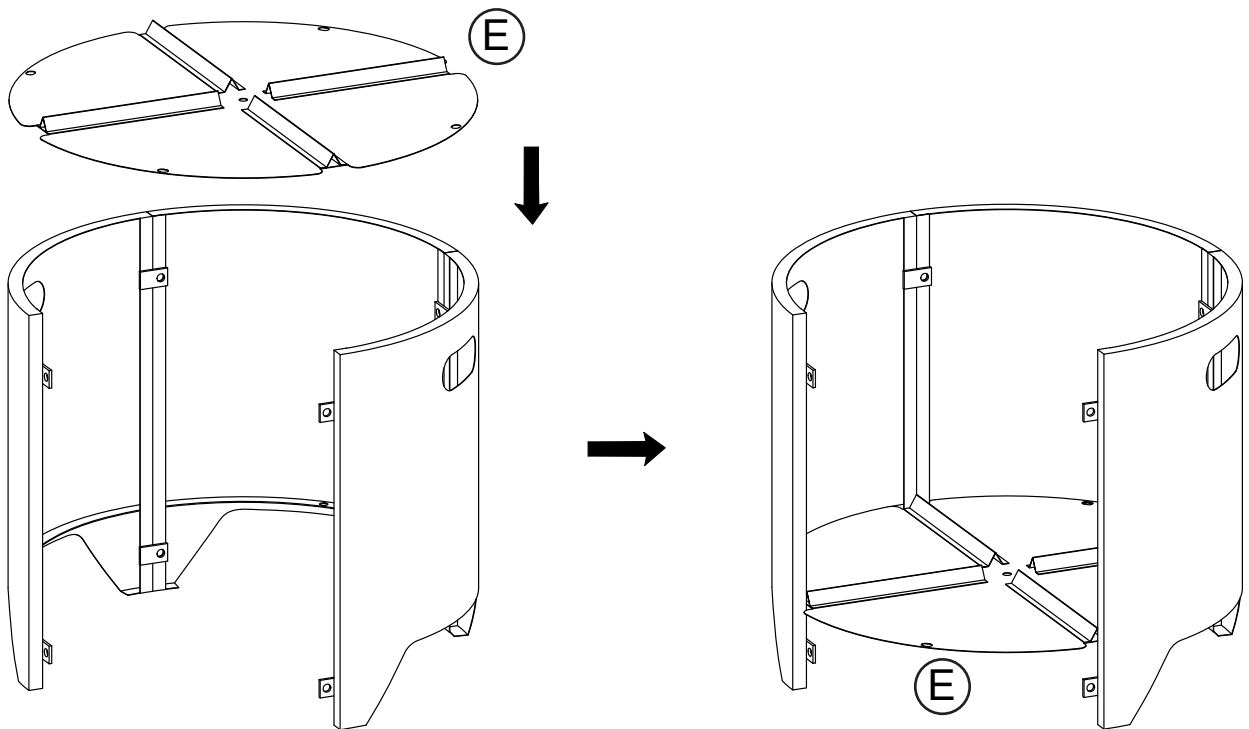
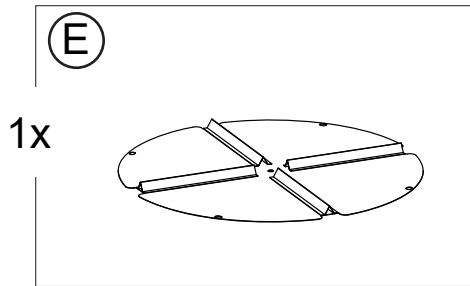
# 1



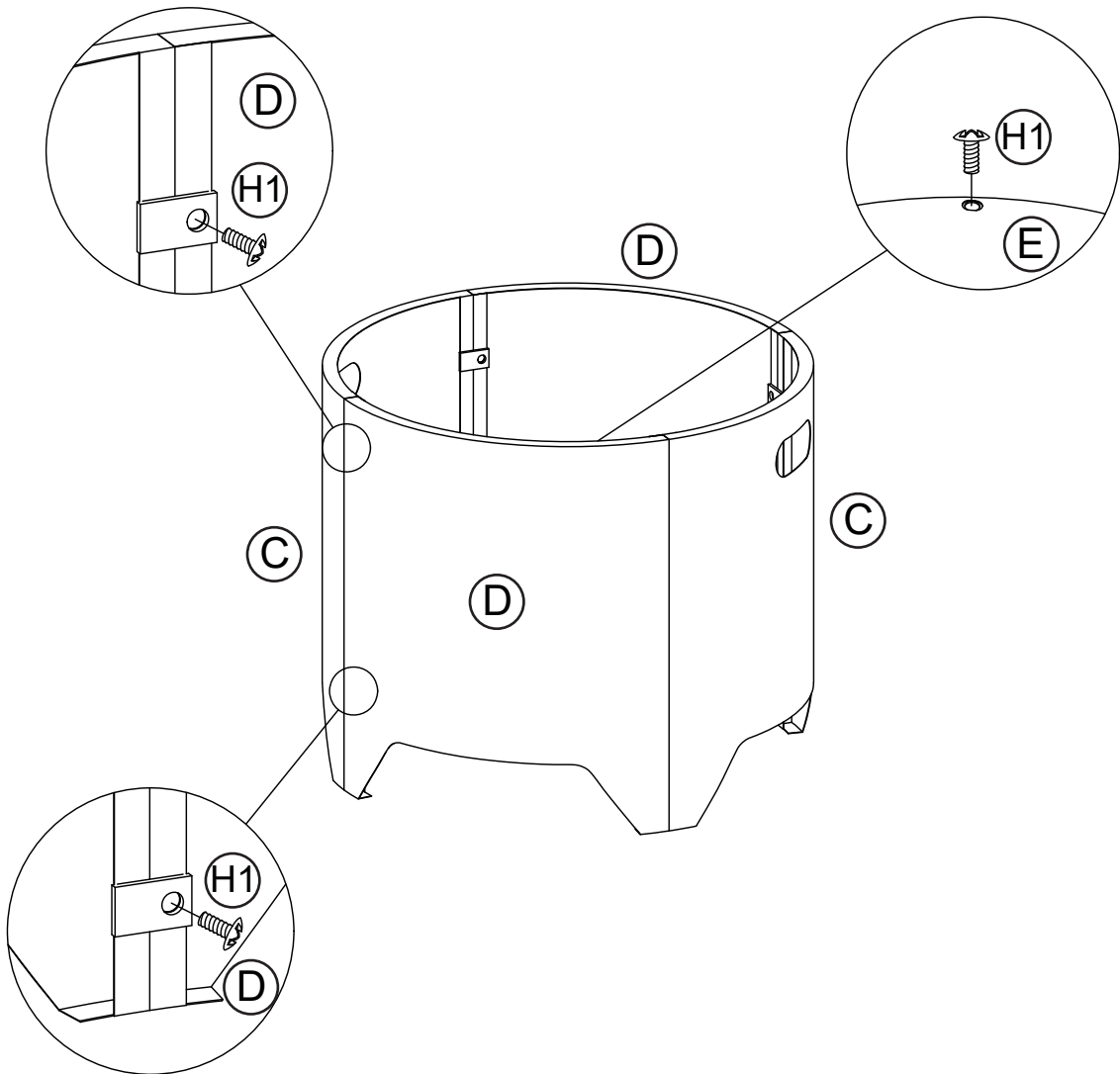
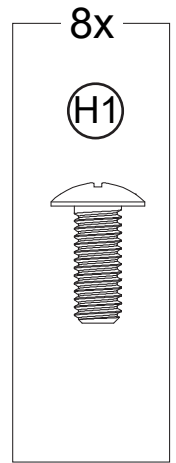
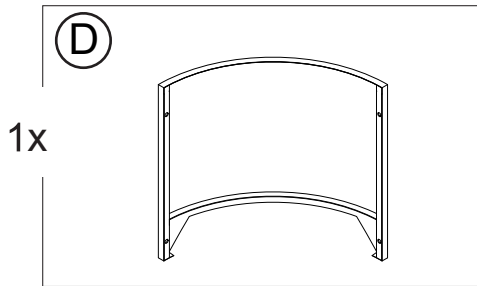
# 2

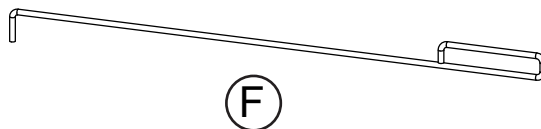
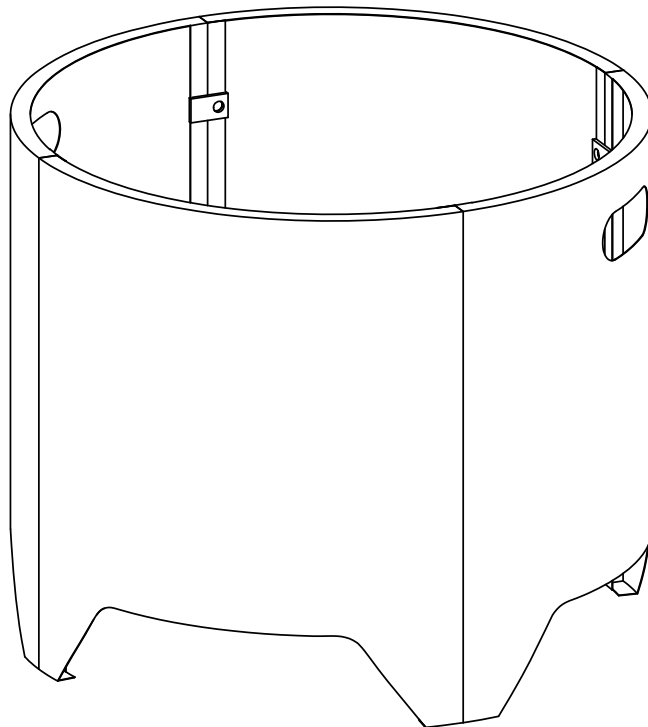
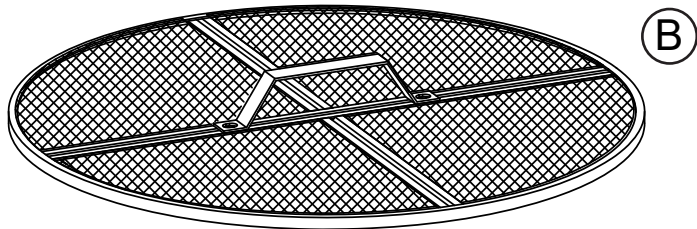
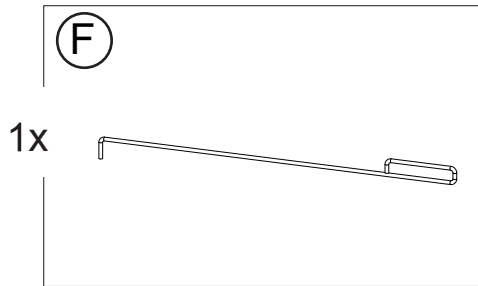


# 3



# 4







Sunjoy International (UK) Ltd  
Suite 2.8 Monument House  
215 Marsh Road  
Pinner  
United Kingdom  
HA5 5NE

E-Mail: [helpme@sunjoyonline.eu](mailto:helpme@sunjoyonline.eu)  
[www.sunjoyonline.eu](http://www.sunjoyonline.eu)