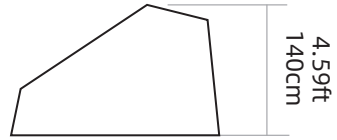
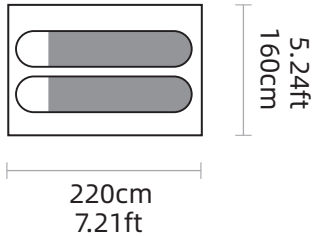


INSTRUCTIONS

INFLATABLE ROOFTOP TENT

SIZE



ACCESSORY



Tent*1+
Paddle board*1



Storage bag
*1



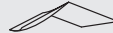
Steel Nail
*18



Wind rope
*11



Landing pole
*2



Canopy
*1



pothook
*6



Pressure
limiting pump*1

INSTALLATION STEPS

01



Unfold the paddle board and lay it flat on the ground. Find the inflation port and connect it to an air pump or electric pump for inflation.

02



Unfold the tent, find the vent hole to inflate it, and after inflation is complete, place the tent on the paddle board.

03

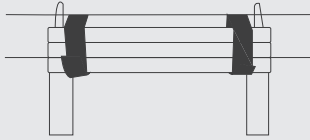


Suggest two or more people lift the tent above the vehicle equipped with a roof rack.

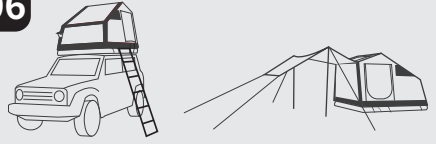
04



Secure the tent and paddle board together with straps; Then use hooks to secure the paddle board and tire.

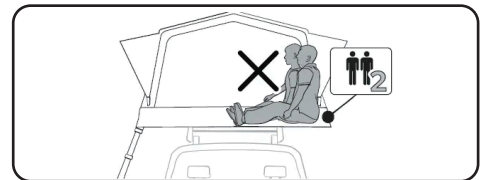
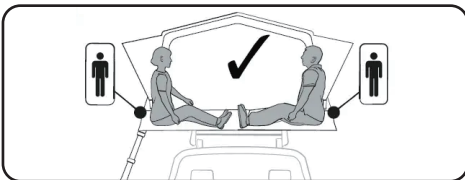
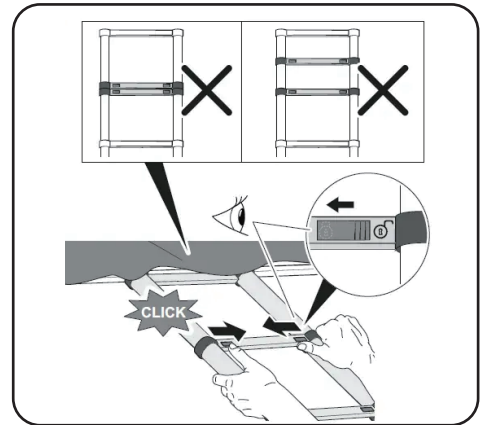
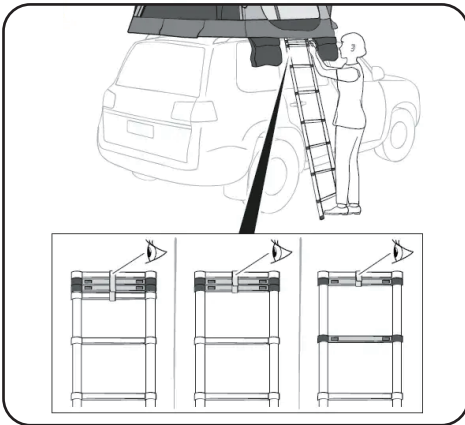
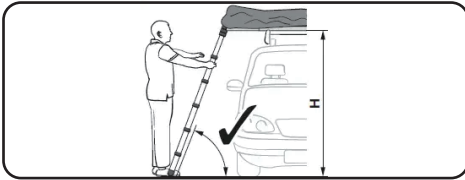
05

Place the retractable escalator against the side of the tent and use Velcro to secure the tent and escalator.

06

Complete the tent installation on the roof of the car and check that the tether is all fastened. This product can also be used on land alone with the canopy.

PRECAUTIONS FOR USING LADDERS



 customer01service@hotmail.com

If you have any problems, you can contact the email address.