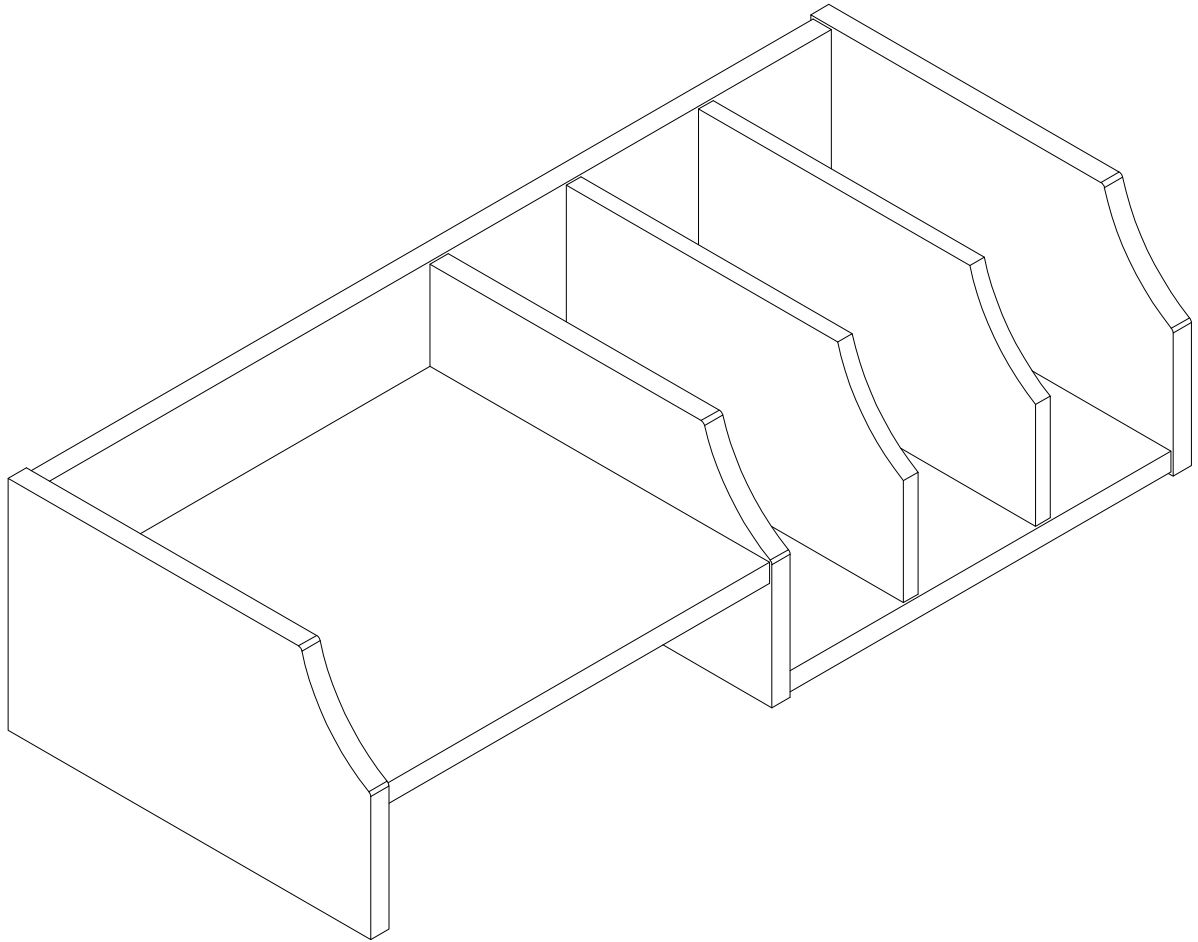


ASSEMBLY INSTRUCTIONS

Desktop Organizer



Lot Code #

Thank you for purchasing this product. We trust that you will be completely satisfied with your product for many years to come. Our products are backed by a 1-year warranty and crafted with today's styles in mind for the way you work. **Do not return product to store — contact us first**

Merci d'avoir acheté ce produit. Nous sommes sûr que vous serez complètement satisfait de votre meuble pendant de nombreuses années. Les produits sont garantis pendant 1 ans et sont conçus dans les styles actuels tout en gardant à l'esprit votre façon de travailler. **Ne renvoyez pas le produit au magasin, contactez-nous d'abord**

Gracias por comprar este producto de. Confiamos que usted estará completamente satisfecho con su mueble por muchos años. Los productos de tienen 1 años de garantía y son diseñados con los estilos de hoy en mente para la manera que usted vive. **No devuelva el producto a la tienda, primero comuníquese con nosotros.**

IT'S AS EASY AS 1,2,3

Assembly tips:

1. Read the instructions and become familiar with the parts.
2. Ensure this carton contains all parts, fasteners and hardware.
3. To protect floors, assemble the furniture on the carton.
4. An assistant may be helpful.
5. Use of power tools is not recommended.

Conseils d'assemblage:

1. Lisez les instructions et familiarisez-vous avec les pièces.
2. Assurez-vous que le carton contient toutes les pièces, toutes les pièces de fixation et toute la quincaillerie.
3. Pour protéger vos sols, assemblez le meuble sur le carton.
4. Il peut être utile de vous faire aider.
5. L'utilisation d'outils électriques n'est pas recommandée.

Consejos de Ensamblaje:

1. Lea las instrucciones y familiarícese con las partes.
2. Asegúrese de que esta caja contenga todas las piezas, los sujetadores y el equipo.
3. Para proteger el piso, ensamble el mueble en el carton.
4. Un asistente puede serle útil.
5. El uso de herramientas eléctricas no se recomienda.



CONSUMER
SERVICE

YOU CAN DEPEND ON

Questions? Operators are standing by at our TOLL-FREE help line to assist you with assembly; and, if necessary, to quickly replace damaged/missing parts. Assistance is available 5 days a week. Simply have your store receipt, instruction manual, and part number/description ready when you call our TOLL-FREE help line. It's that easy.

UN SERVICE CLIENTELE SUR LEQUEL VOUS POUVEZ COMPTER

Des questions? Des opérateurs sont prêts sur notre ligne d'assistance GRATUITE pour vous aider à l'assemblage et, si nécessaire, remplacer rapidement les pièces endommagées/manquantes. L'assistance est disponible 5 jours par semaine. Ayez simplement votre reçu de magasin, votre manuel d'instruction et le numéro de pièces/description à votre disposition lorsque vous appelez notre ligne d'assistance GRATUITE. C'est aussi simple que ça.

SERVICIO AL CONSUMIDOR CON EL QUE PUEDE CONTAR

¿Preguntas? Los operadores están listos para ayudarlo con el ensamblaje a través de una línea de ayuda GRATUITA, y en caso de ser necesario, reemplazar de inmediato las piezas dañadas o faltantes. La asistencia está disponible los 5 días de la semana. Solamente tenga listos su recibo de compra, manual de indicaciones y número/descripción de la pieza al momento de llamarnos a la línea de ayuda GRATUITA. Es así de sencillo.



WARNING

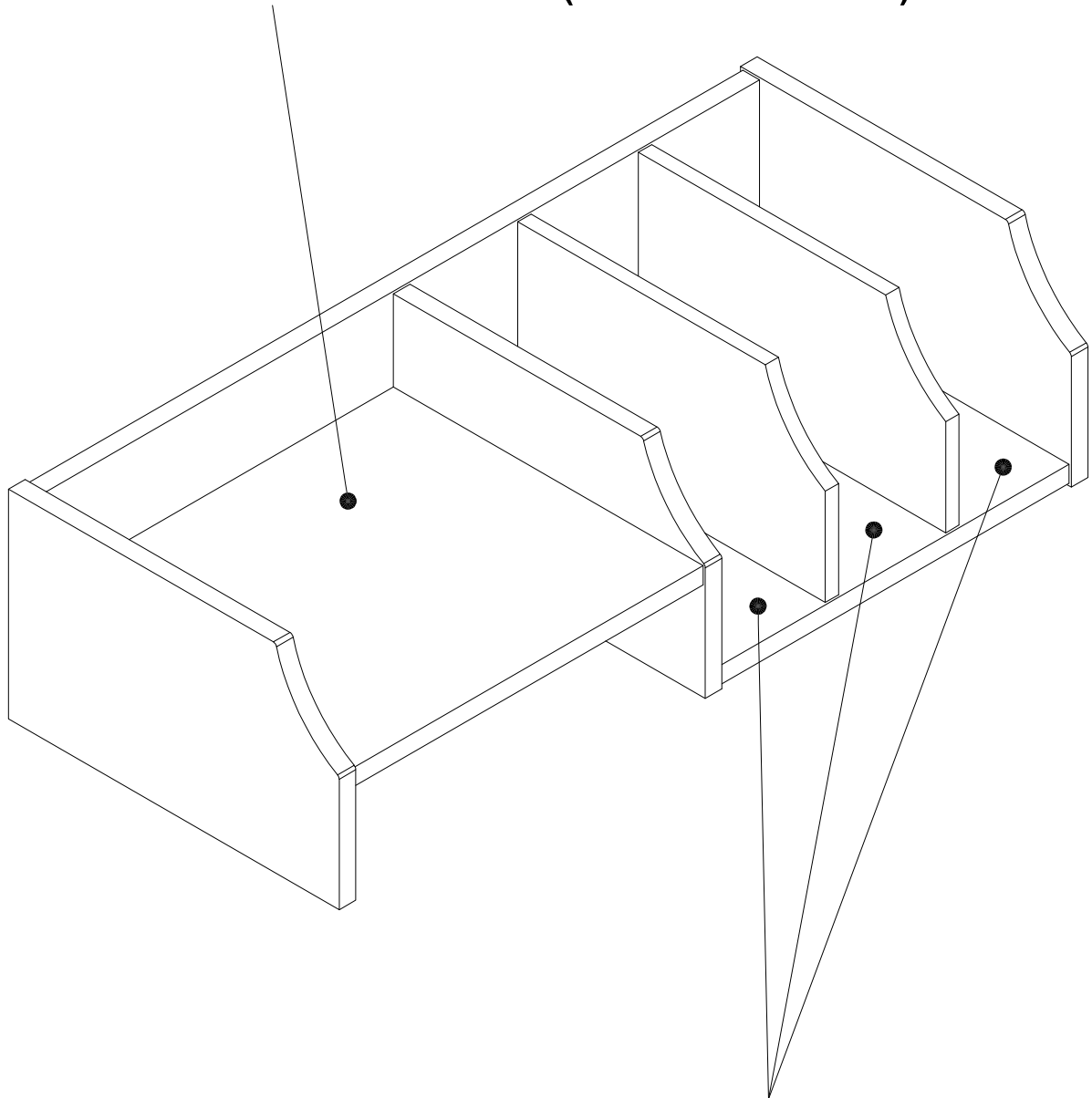
**REMOVE ALL ITEMS
FROM SHELVES BEFORE
MOVING OR LIFTING.**

**RETIRE TODOS LOS
ARTÍCULOS DE LOS
ESTANTES ANTES DE
MOVER O LEVANTAR
OBJETOS.**

**RETIREZ TOUS LES
ÉLÉMENTS ÉTAGÈRES
AVANT DE SE
DÉPLACER OU DE
LEVAGE**

MAXIMUM RECOMMENDED WEIGHT LOADS

MAXIMUM WEIGHT: 8 LBS (3.6 KG)
PESO MÁXIMO: 8 LIBRAS (3.6 KILOGRAMO)
POIDS MAXIMUM: 8 LIVRES (3.6 KILOGRAMME)



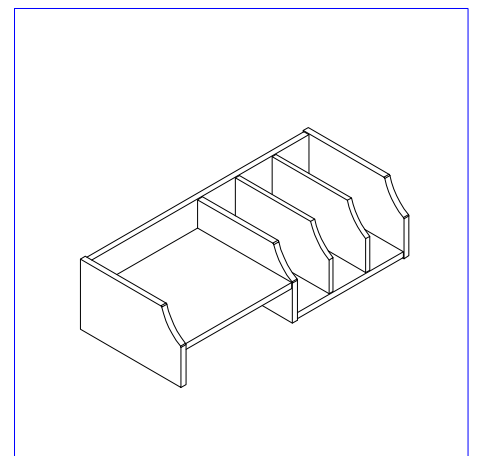
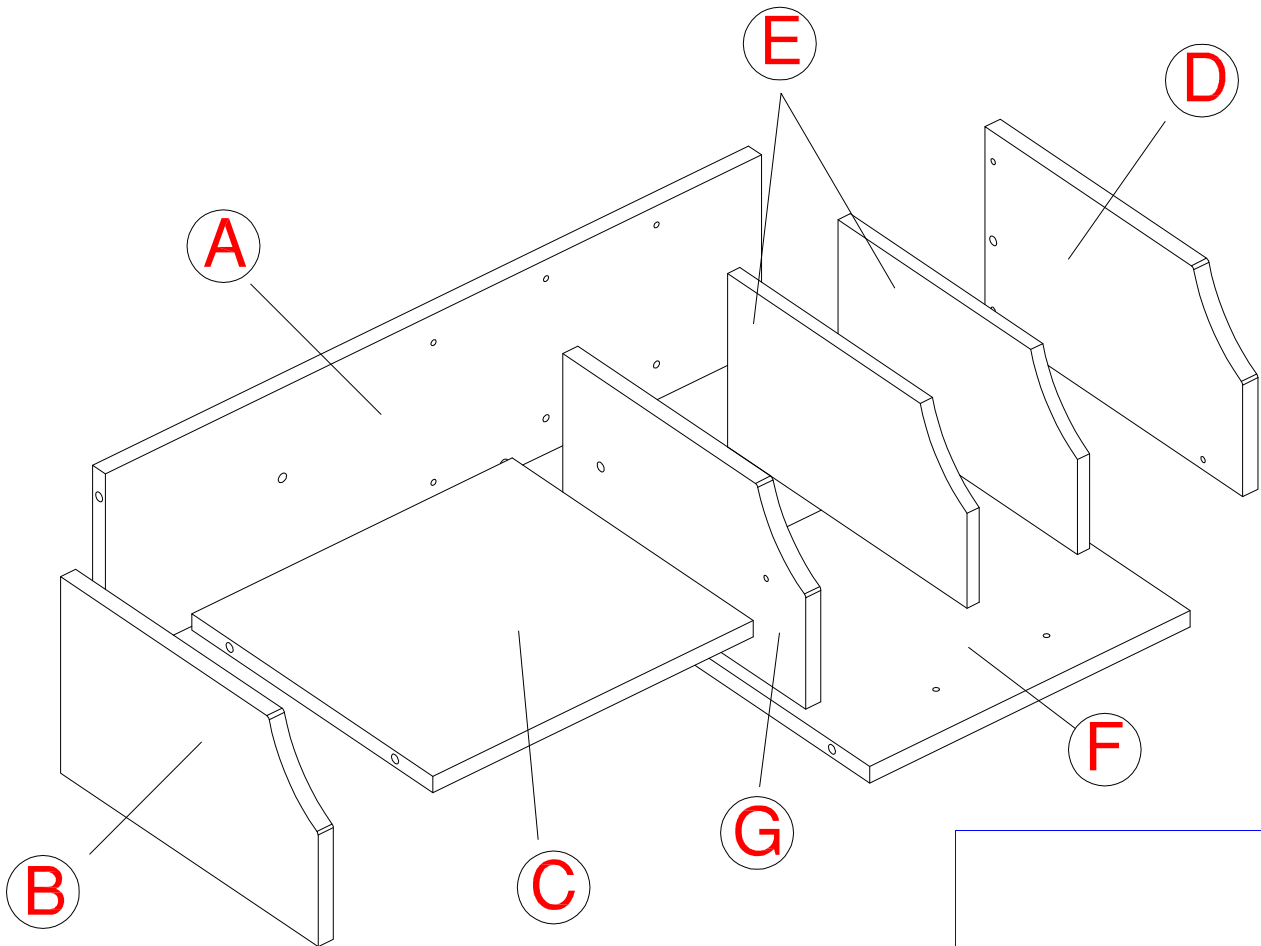
MAXIMUM WEIGHT: 5 LBS (2.25 KG)
PESO MÁXIMO: 5 LIBRAS (2.25 KILOGRAMO)
POIDS MAXIMUM: 5 LIVRES (2.25 KILOGRAMME)

MODEL

- A [1]
- B [1]
- C [1]
- D [1]
- E [2]
- F [1]
- G [1]

MODEL

- A [1]
- B [1]
- C [1]
- D [1]
- E [2]
- F [1]
- G [1]



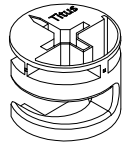
FASTENERS

Fasteners are shown in actual size.

Los fijadores son demostrados en su tamaño actual.

Les attaches sont montrées dans l'échelle grandeur.

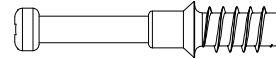
H181468



KD Cam

Quantity
8

H180604



KD Bolt

Quantity
8

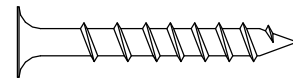
H138074



Wood Dowel
6 x 30mm

Quantity
12

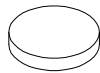
H23198



#10 x 1-1/2"

Quantity
5

H77351

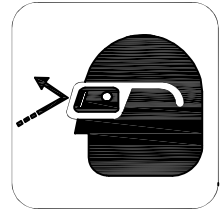
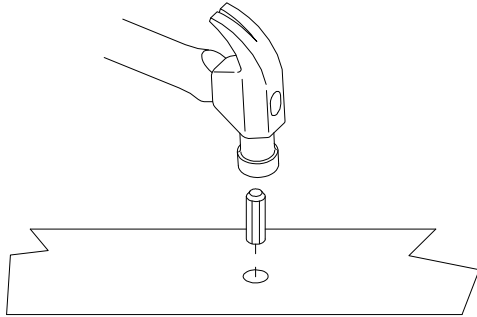


Ø10x2.1mm

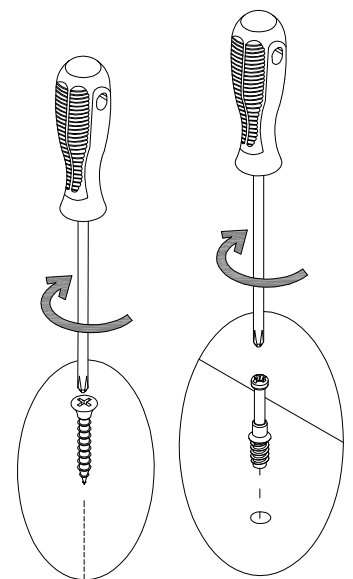
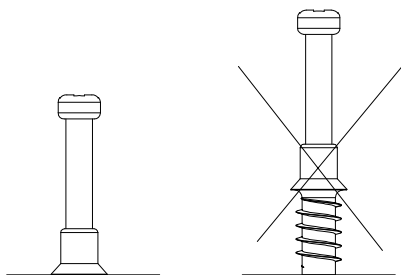
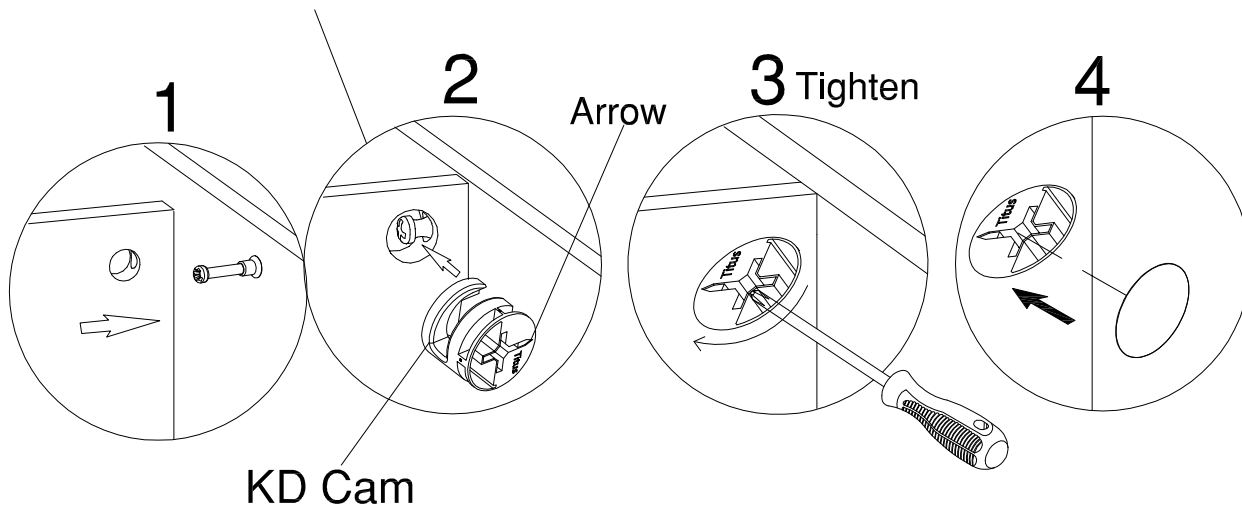
Quantity
6

ATTENTION

Common assembly techniques.
Técnica común de ensamblaje.
Techniques communes d'assemblage.



Push the KD cam all the way into the hole before tightening.
Empujar la leva KD hasta el final en el agujero antes de apretar.
Pousser la came de KD tout le chemin dans le trou avant de serrer.



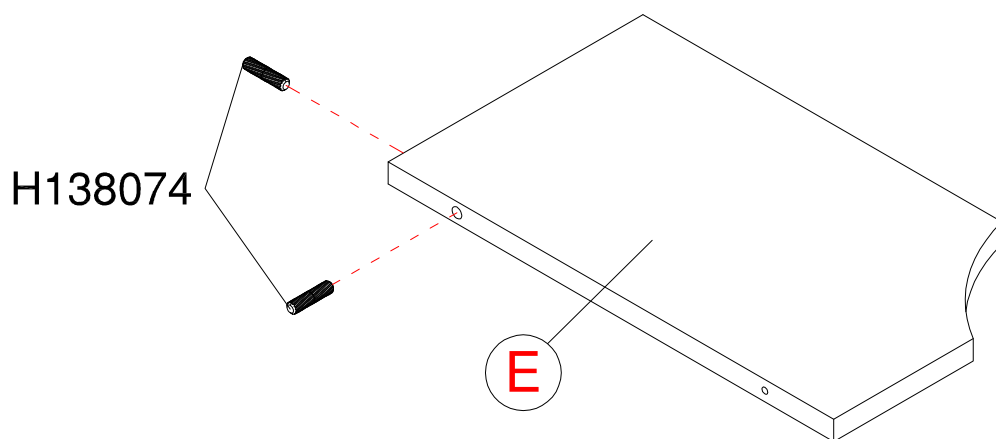
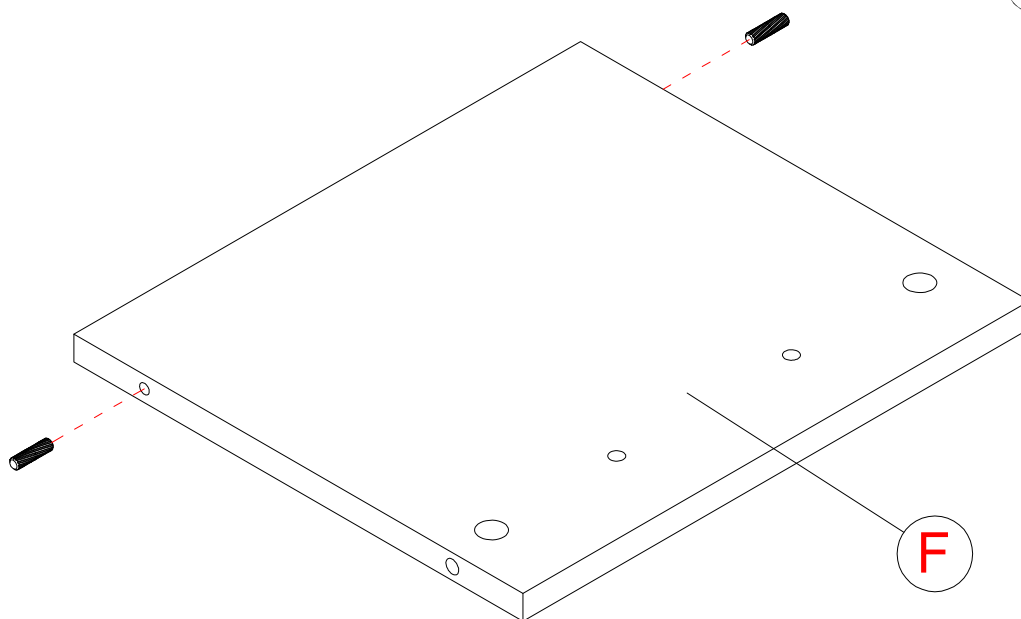
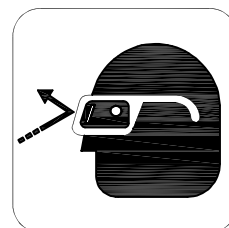
STEP 1

H138074



[6]

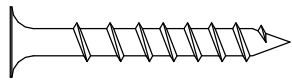
Wood Dowel
6 x 30mm



2 x

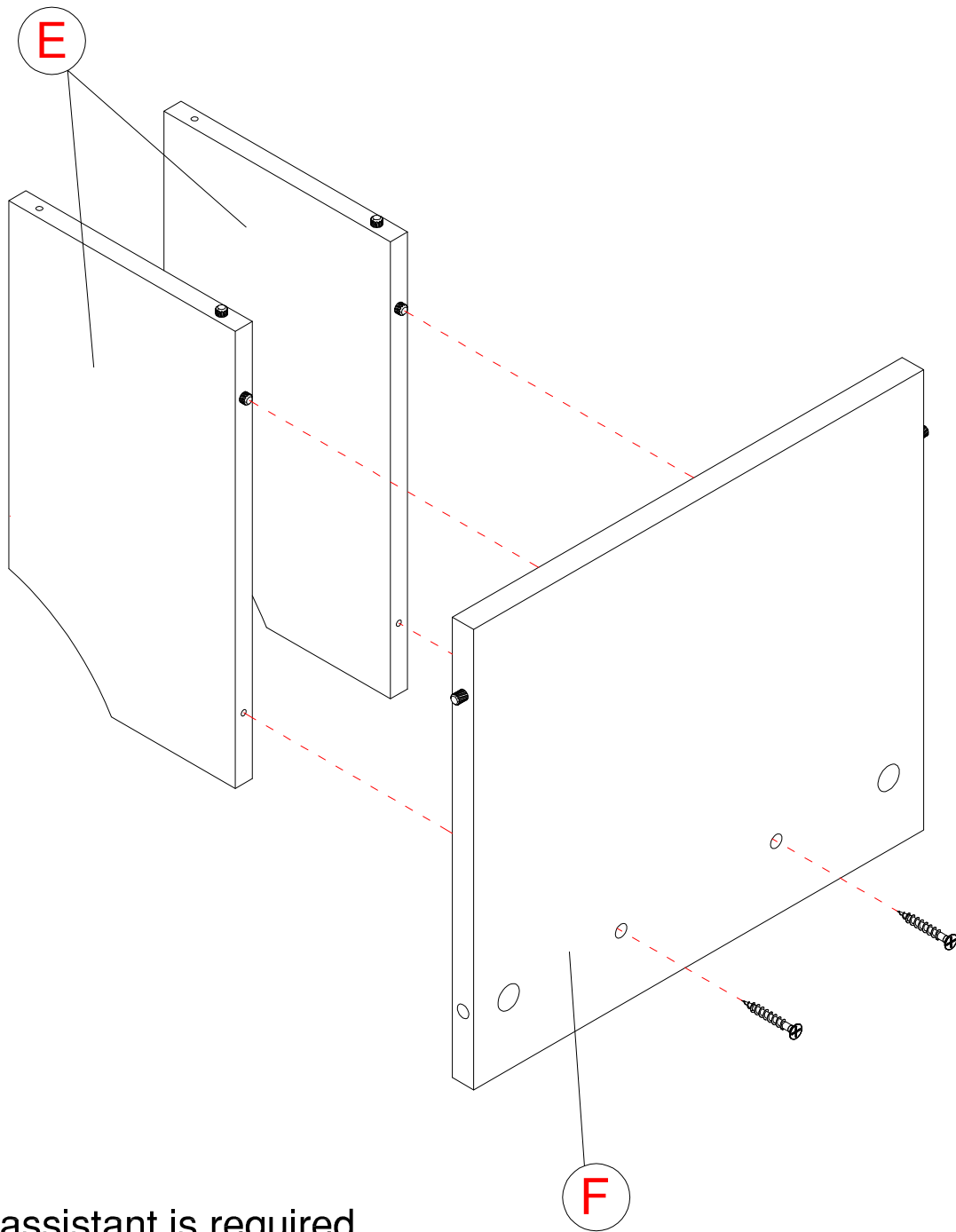
STEP 2

H23198



[2]

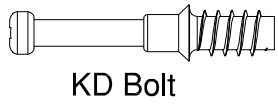
#10 x 1-1/2"



An assistant is required.
Es necesario un ayudante.
Un assistant est nécessaire.

STEP 3

H180604



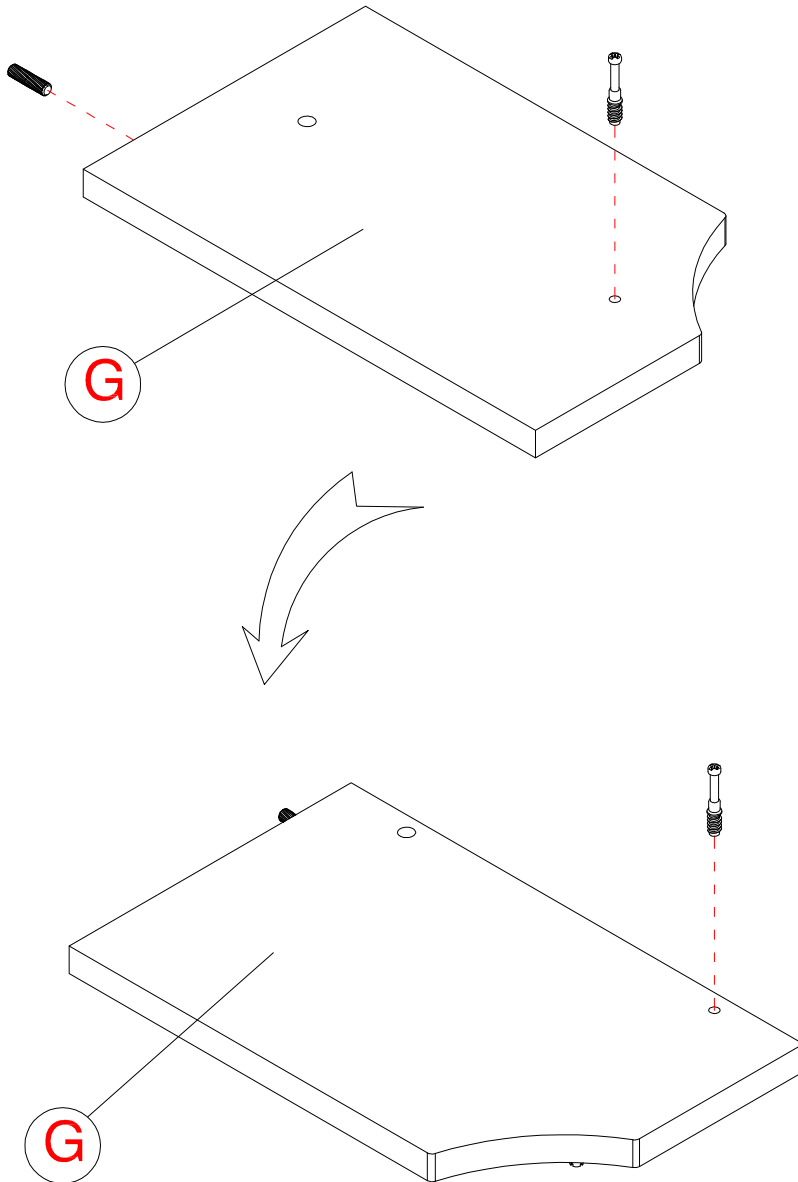
[2]

H138074



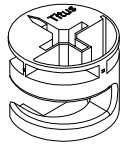
[1]

Wood Dowel
6 x 30mm



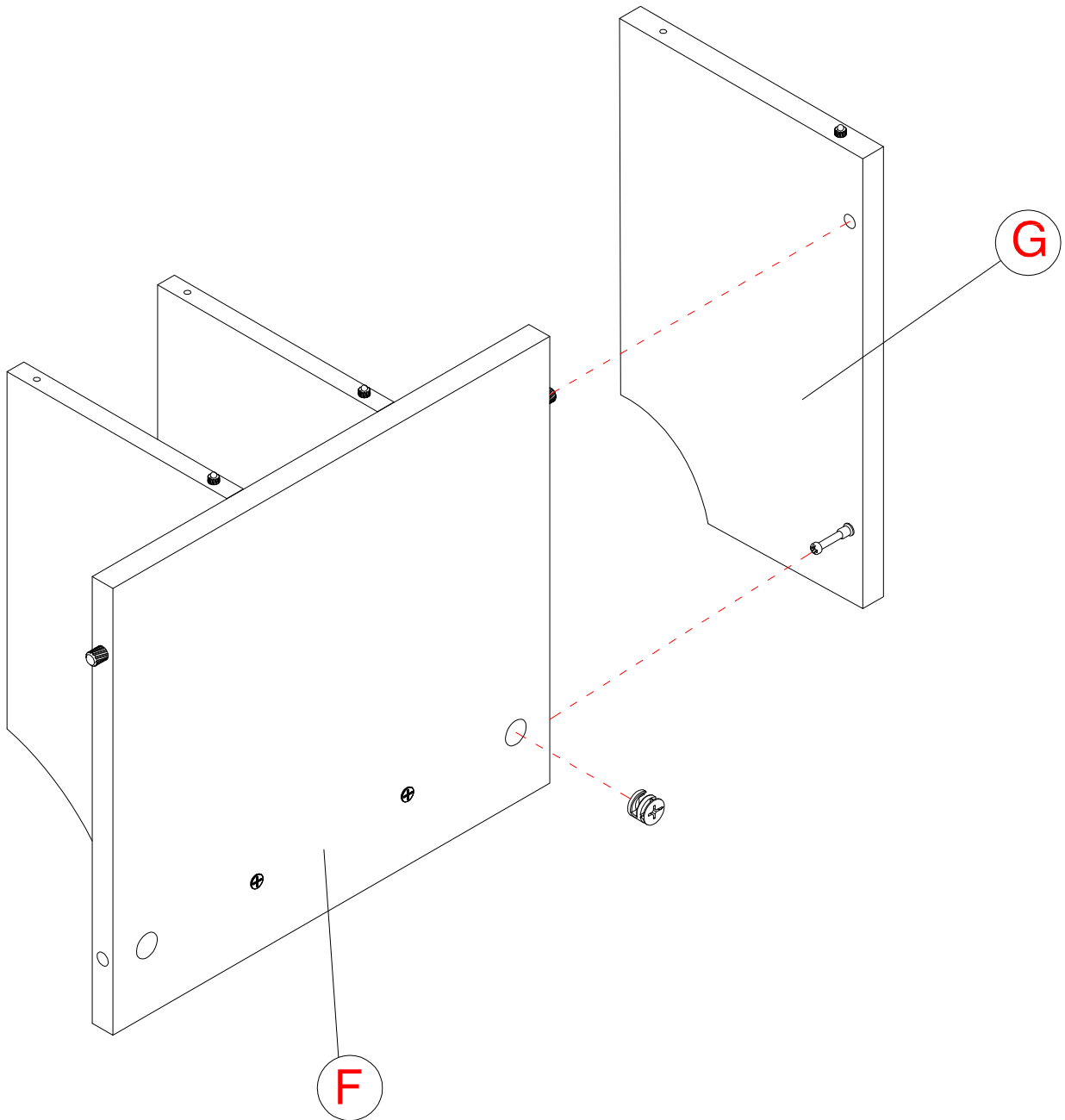
STEP 4

H181468



KD Cam

[1]



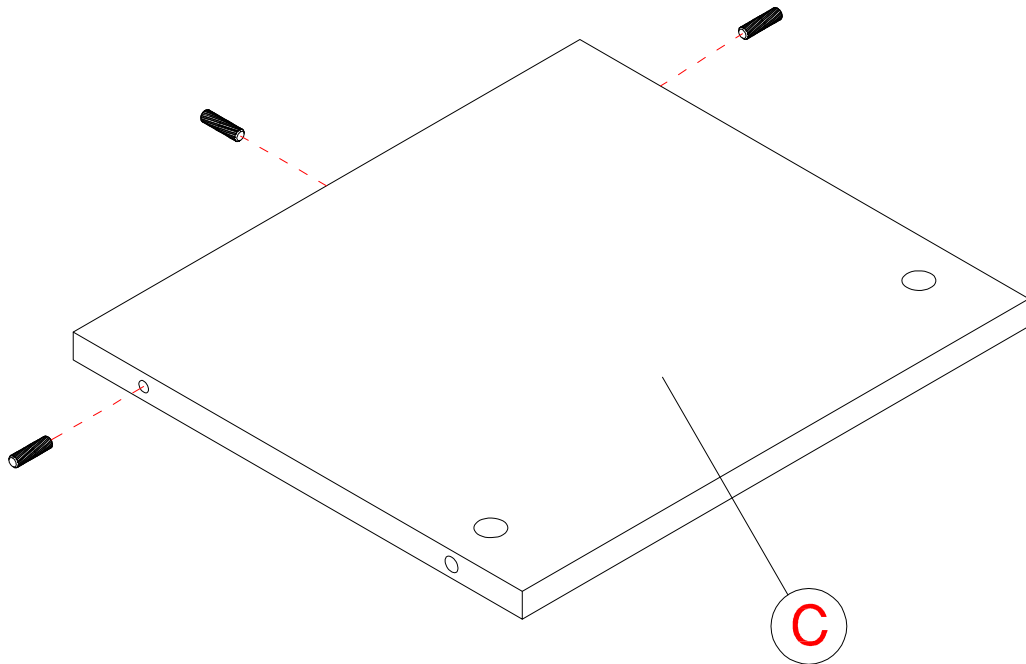
STEP 5

H138074



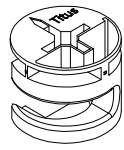
[3]

Wood Dowel
6 x 30mm



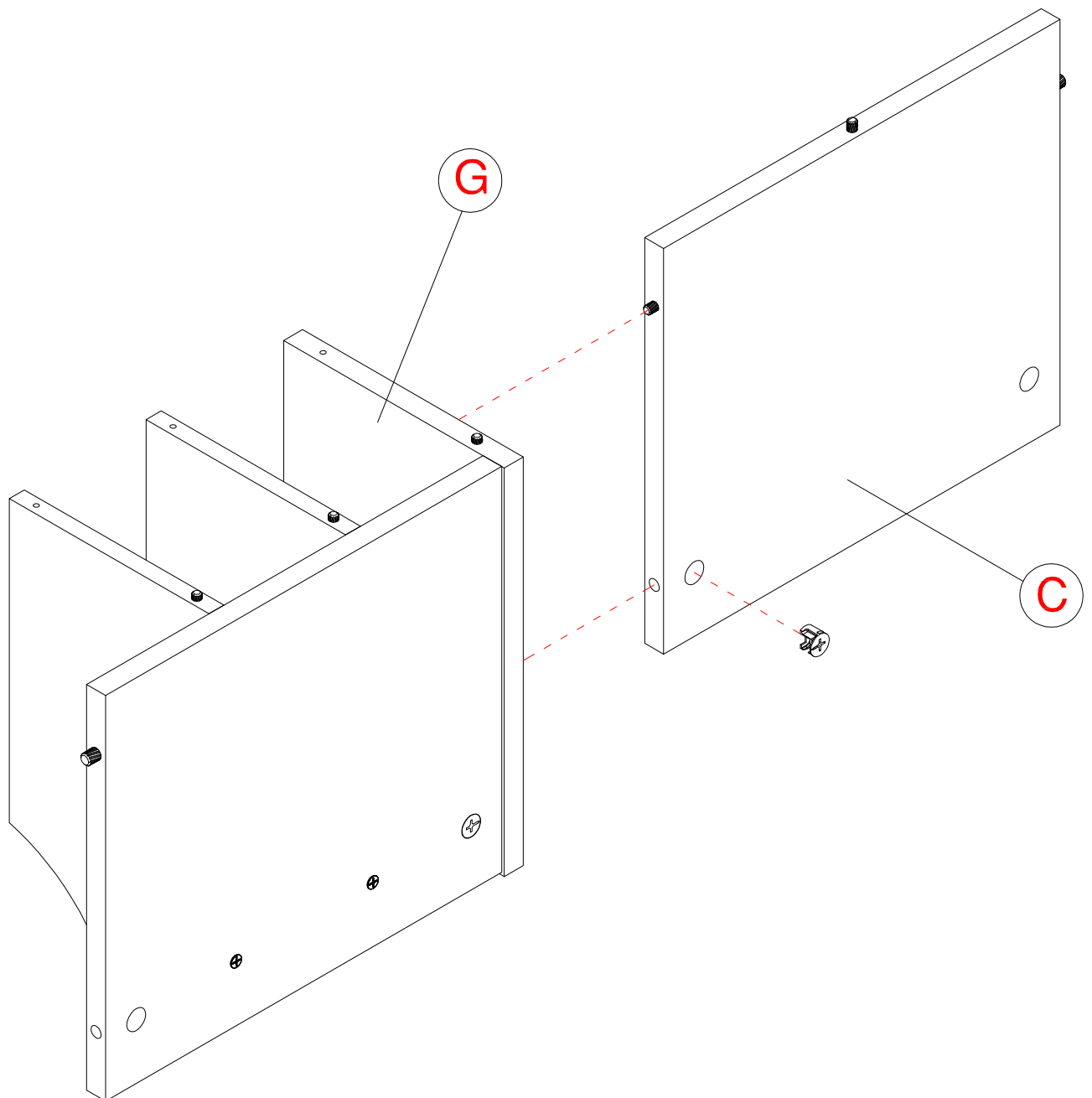
STEP 6

H181468



KD Cam

[1]



An assistant is required.
Es necesario un ayudante.
Un assistant est nécessaire.

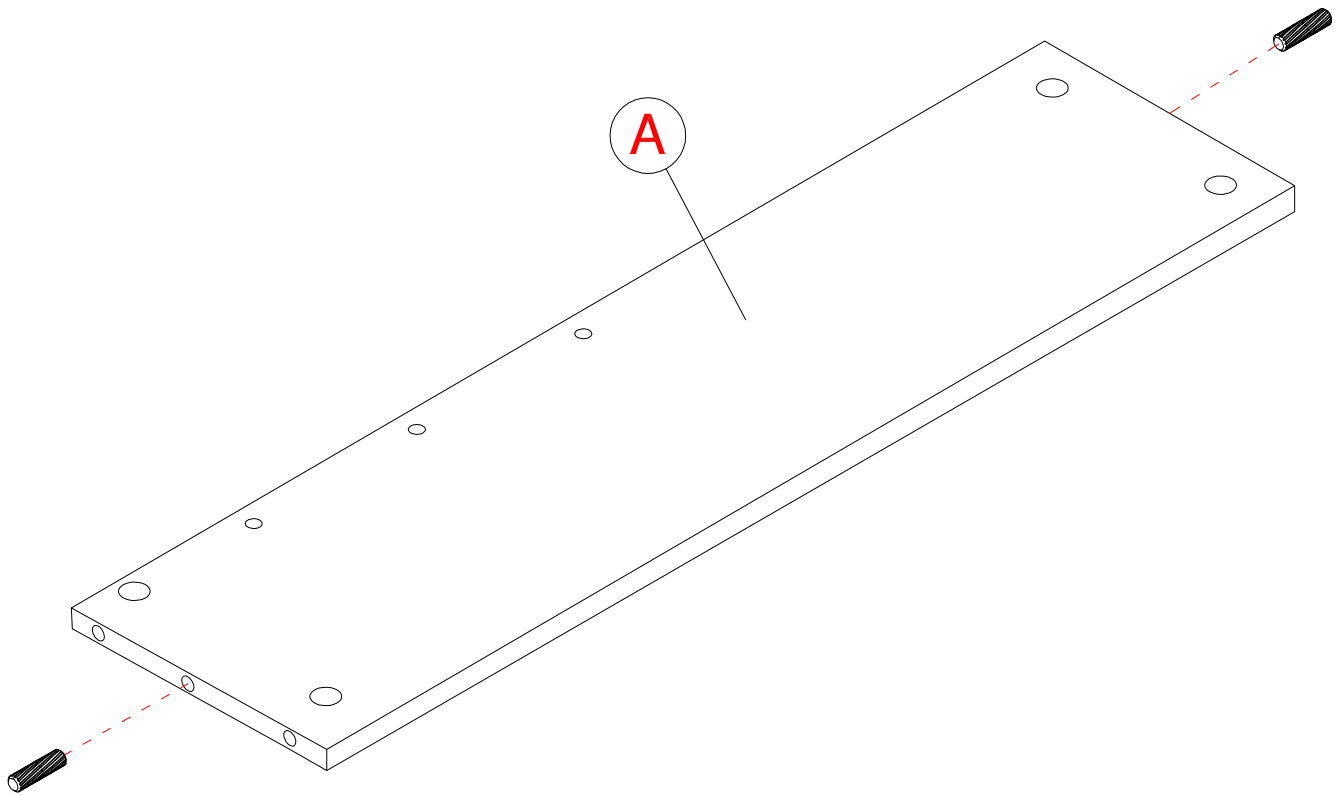
STEP 7

H138074



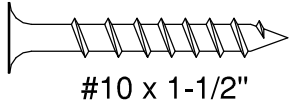
[2]

Wood Dowel
6 x 30mm

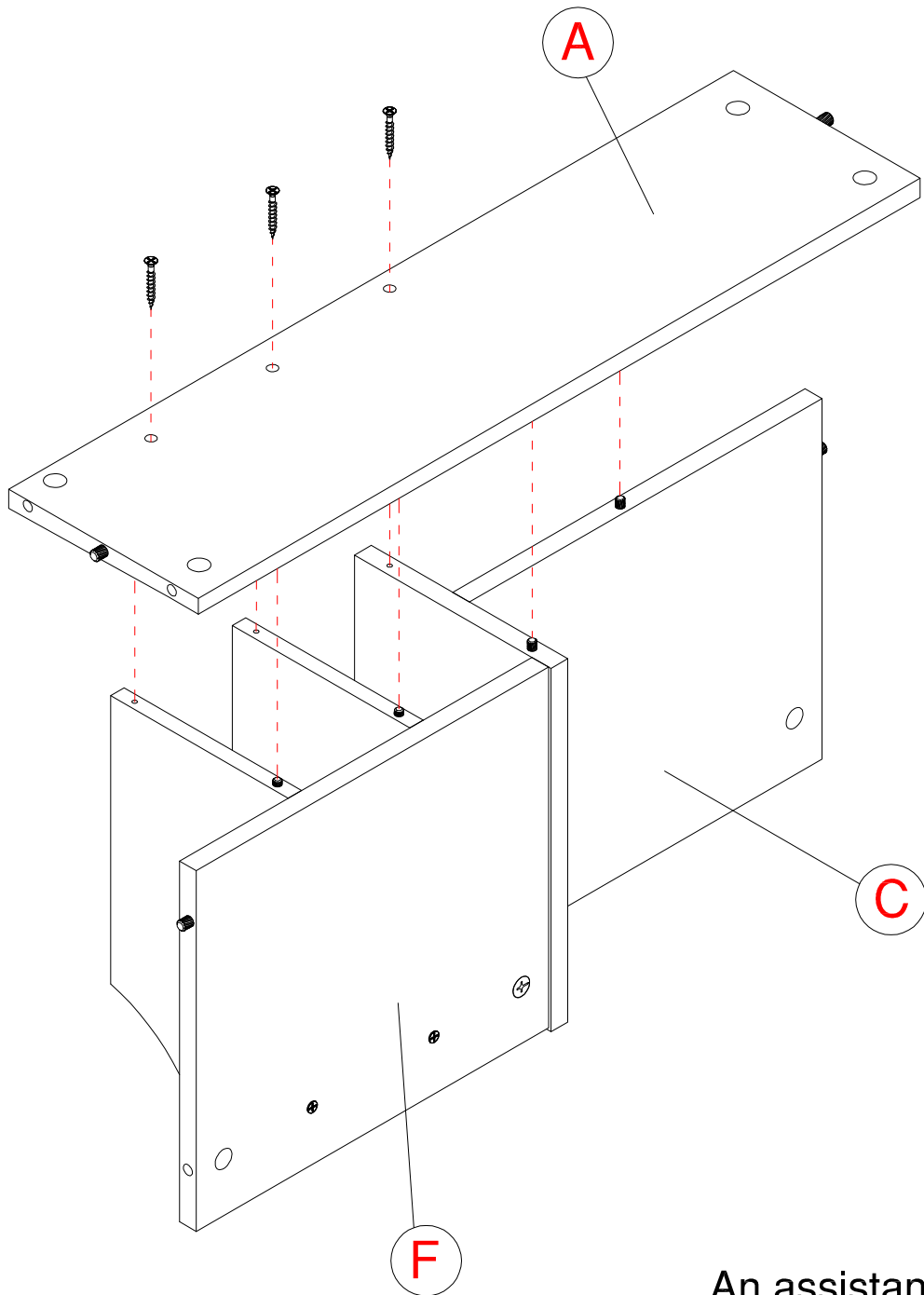


STEP 8

H23198



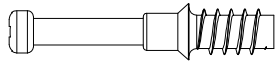
[3]



An assistant is required.
Es necesario un ayudante.
Un assistant est nécessaire.

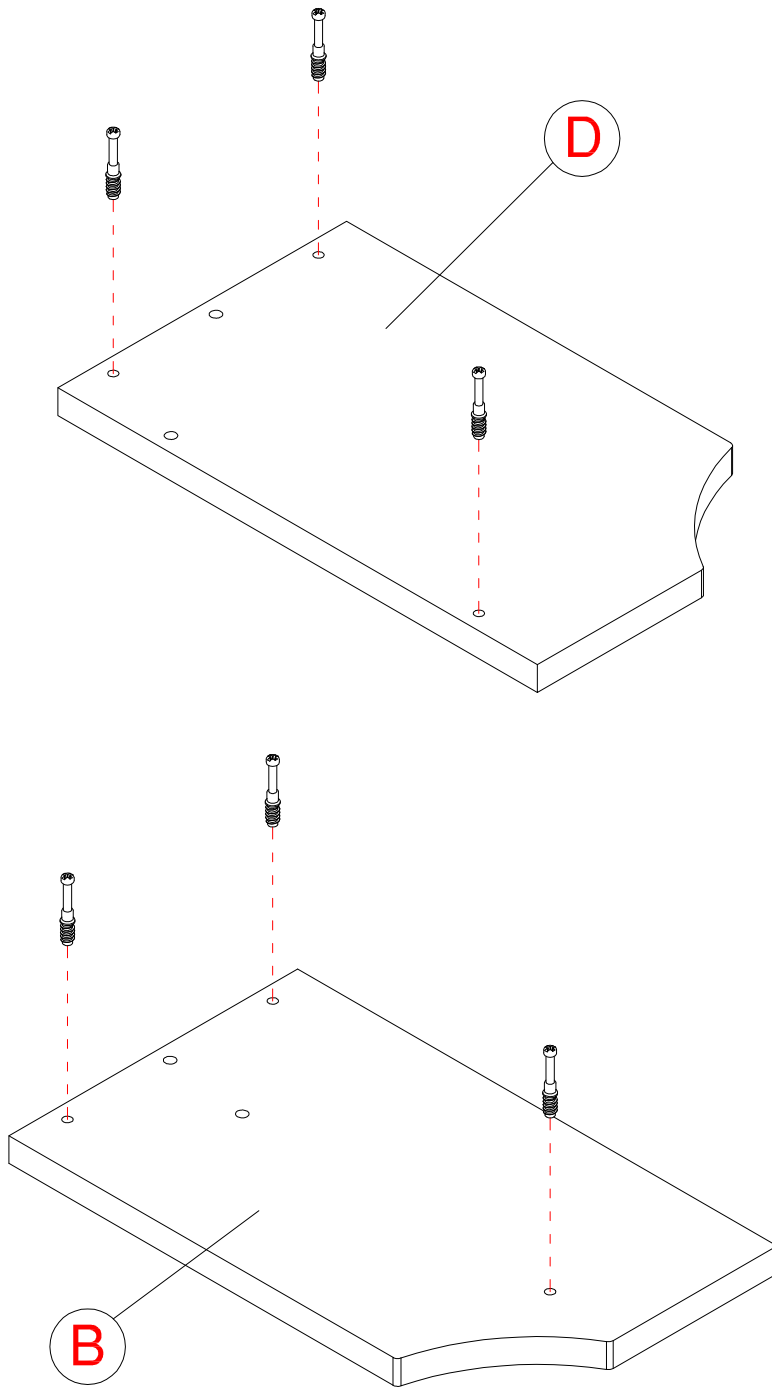
STEP 9

H180604



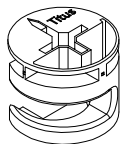
KD Bolt

[6]



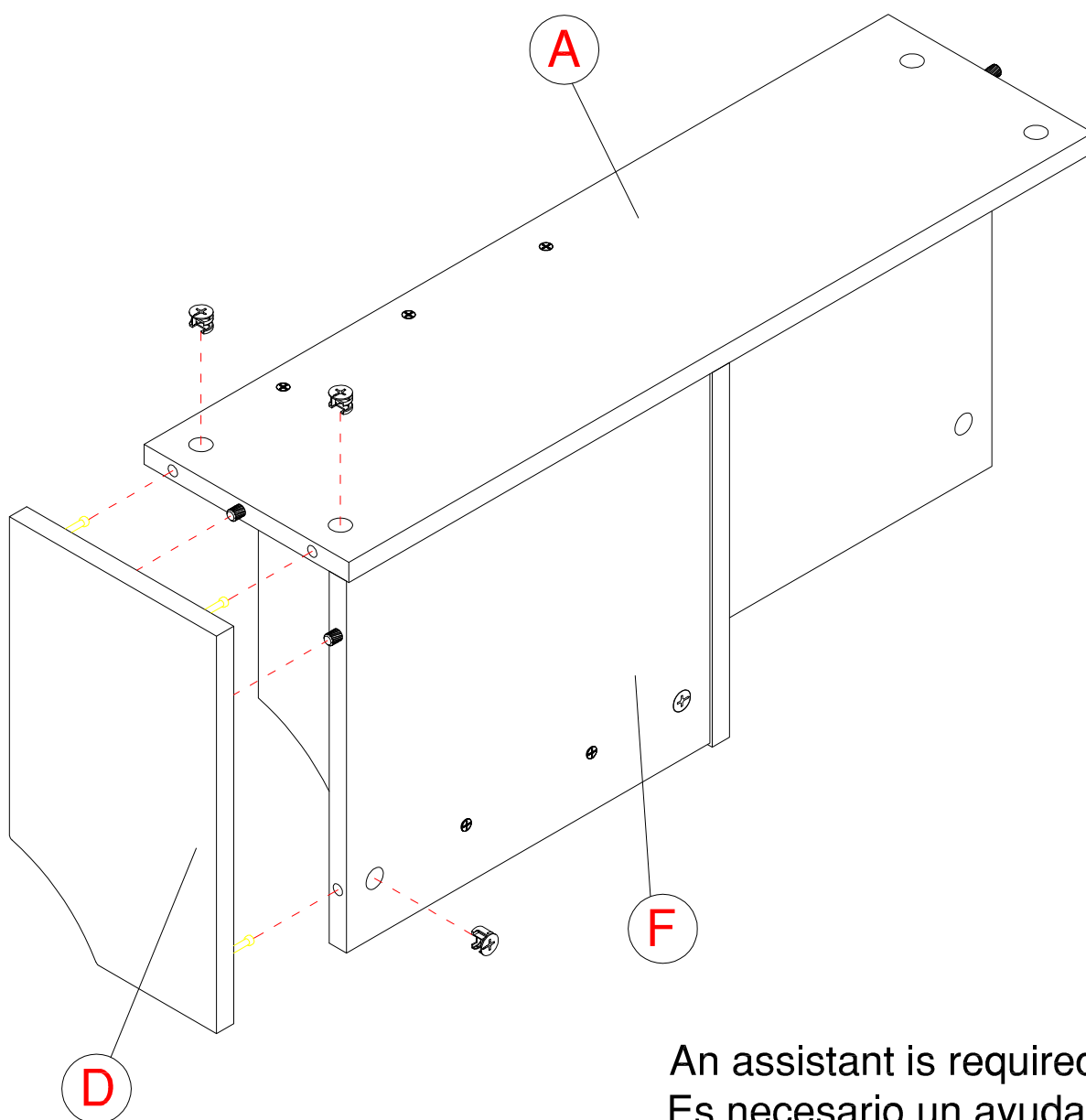
STEP 10

H181468



KD Cam

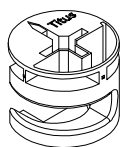
[3]



An assistant is required.
Es necesario un ayudante.
Un assistant est nécessaire.

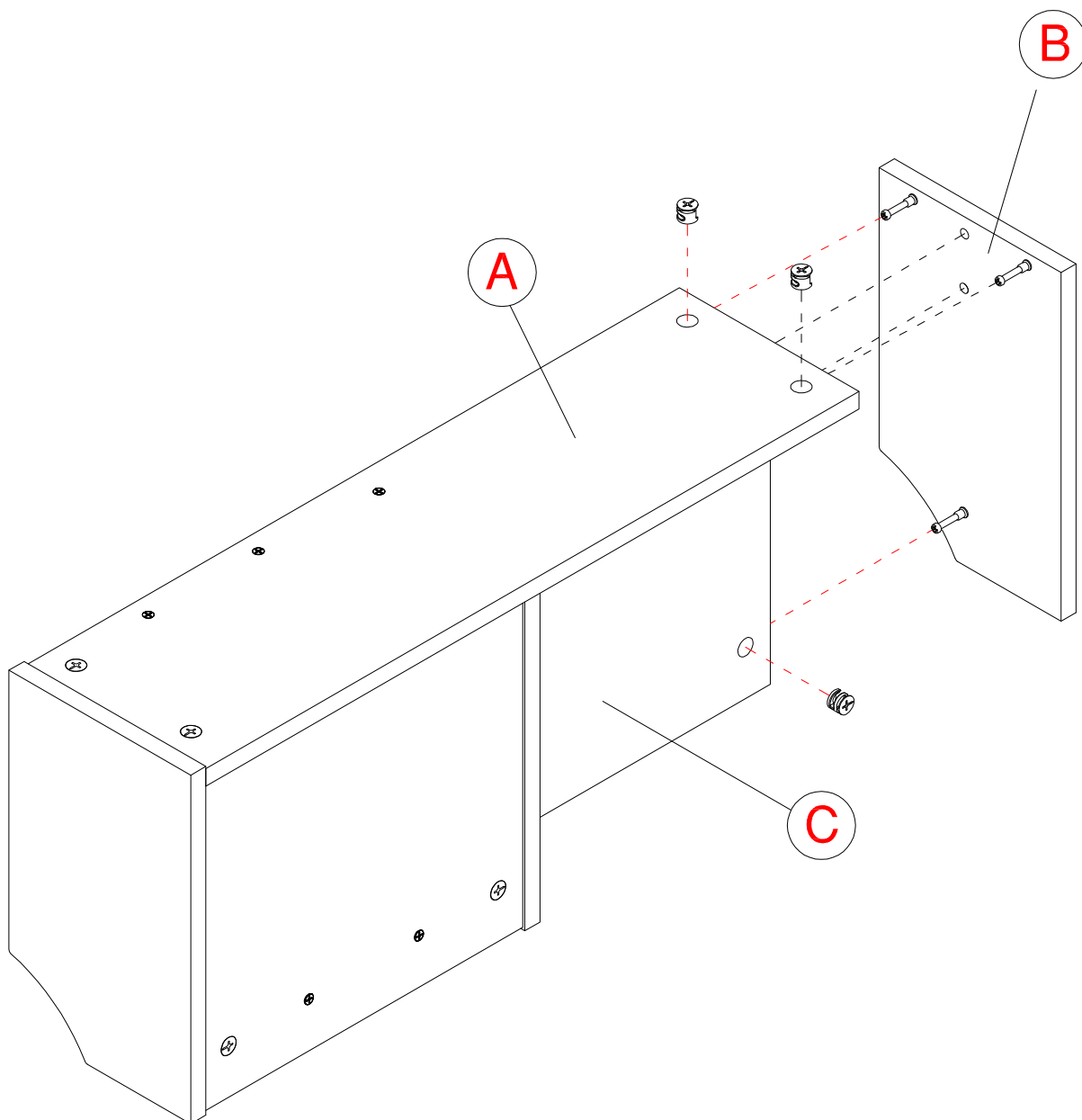
STEP 11

H181468



KD Cam

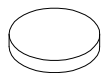
[3]



An assistant is required.
Es necesario un ayudante.
Un assistant est nécessaire.

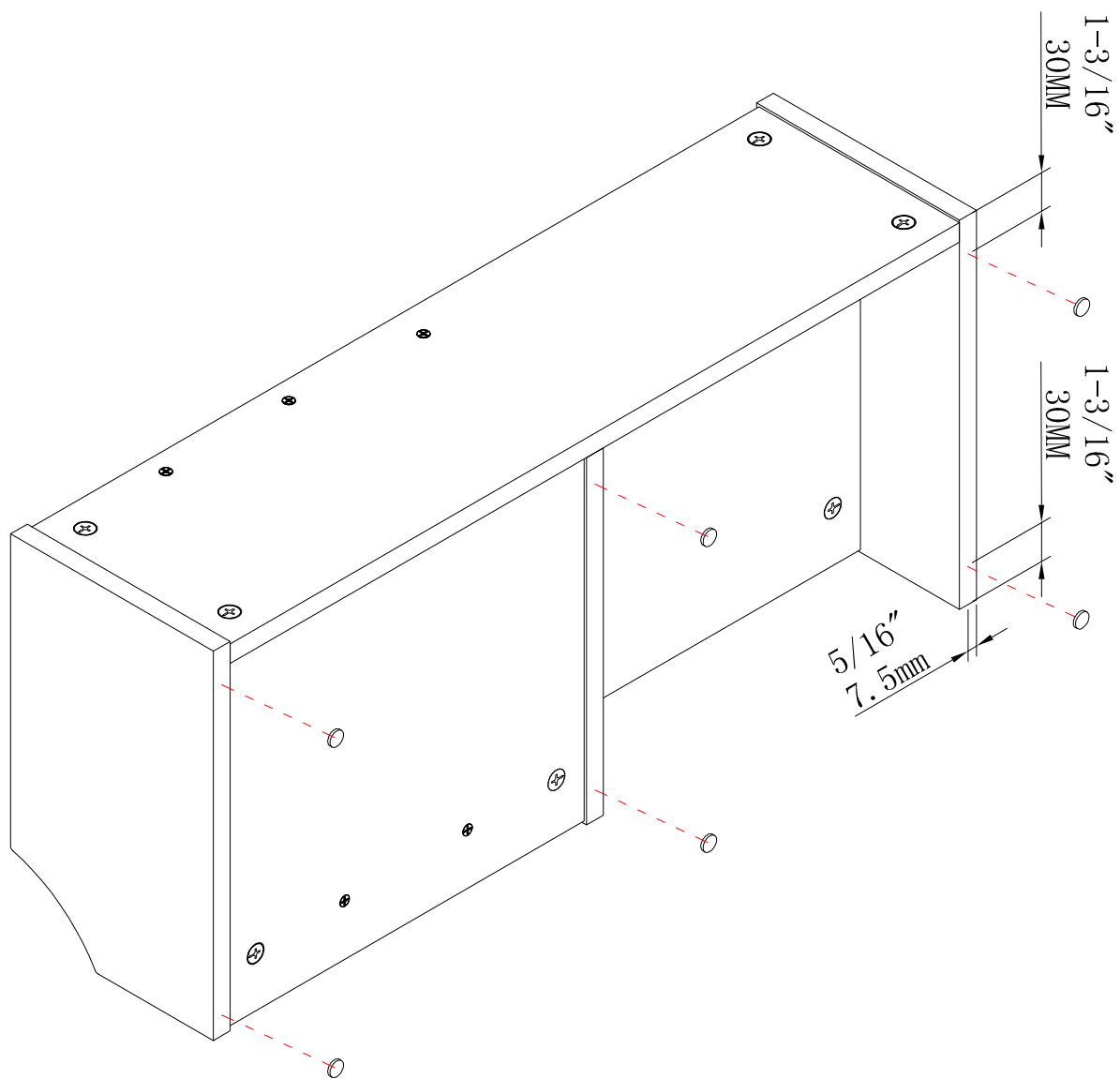
STEP 12

H77351



[6]

Ø10x2.1mm



WARRANTY INFORMATION/INFORMATIONS POUR LA GARANTIE/INFORMACIÓN DE GARANTÍA

OUR WRITTEN WARRANTY TO YOU

In order to provide you with timely assistance, please thoroughly inspect your furniture for missing or defective parts immediately after opening the carton. To receive replacement or missing parts under this warranty, call our Consumer Service Department TOLL-FREE. Please have the Model, Part, and Lot Numbers found in the instruction manual available for your reference. You will also need your sales receipt or other proof of purchase. Replacement part(s) will be shipped to you at no charge with Industries assuming all shipping and handling charges.

This product is warranted to the original purchaser at the time of purchase and for a period of one year thereafter.

We warrant to you, the original purchaser, that our furniture and all its parts and components are free of defects in material or workmanship. "Defects," as used in this warranty, is defined as any imperfection which impairs the use of the furniture product.

Our warranty is expressly limited to the replacement of furniture parts and components. For one year after the date of purchase, we will replace any parts that are defective in material or workmanship.

This warranty applies under conditions of normal use. Our products are not intended for outdoor use. This warranty does not cover: 1) defects caused by improper assembly or disassembly; 2) defects occurring after purchase due to product modification, intentional damage, accident, misuse, abuse, negligence or exposure to the elements; and 3) labor or assembly costs.

IMPLIED WARRANTIES, INCLUDING THE WARRANTY OF MERCHANTABILITY, SHALL NOT EXTEND BEYOND THE DURATION OF THE WRITTEN WARRANTY STATED ABOVE, AND IN NO EVENT SHALL BE LIABLE FOR INCIDENTAL OR CONSEQUENTIAL DAMAGES RESULTING FROM USE OF THE PRODUCT. Some states do not allow a limitation on how long an implied warranty lasts or the exclusion or limitation of incidental or consequential damages, so the above limitation and exclusion may not apply to you.

This warranty gives you specific legal rights. You may also have other rights that may vary from state to state.

1-Year
Manufacturer's
Warranty

REGISTER YOUR PRODUCT ONLINE