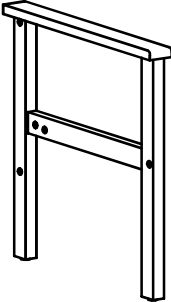
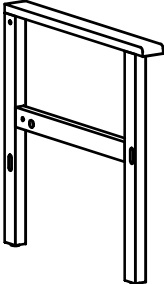


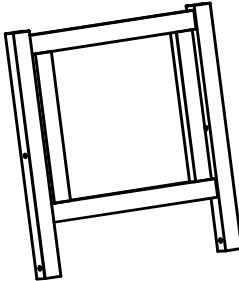
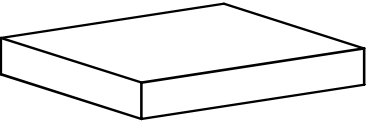


**Hello! Please read these important attentions...**

Please put a thick carpet on the ground to protect the furniture finish and corners. During the installation process, **DON' T** fasten screws tight 100% at a time.

# Assembly Instructions

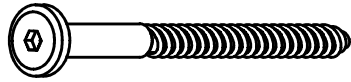
Please read this before you proceed

NUMBER	COMPONENT	QUANTITY
A	 Right leg	2pcs
B	 Left leg	2pcs
C	 Single seat	2pcs
D	 Single connecting bar	2pcs
E	 Single back	2pcs
F	 Single cushion seat	2pcs

# Assembly Instructions

Please read this before you proceed

P



Screw M7x60mm

16pcs

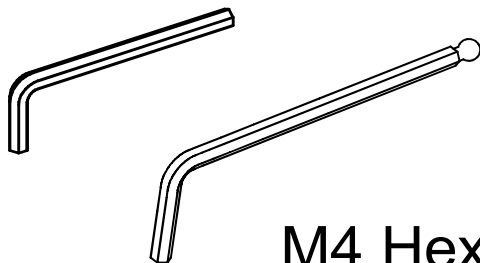
Q



Screw M7x50mm

4pcs

V



M4 Hex wrench

2pcs

# Assembly Instructions

Please read this before you proceed

①

A x 1

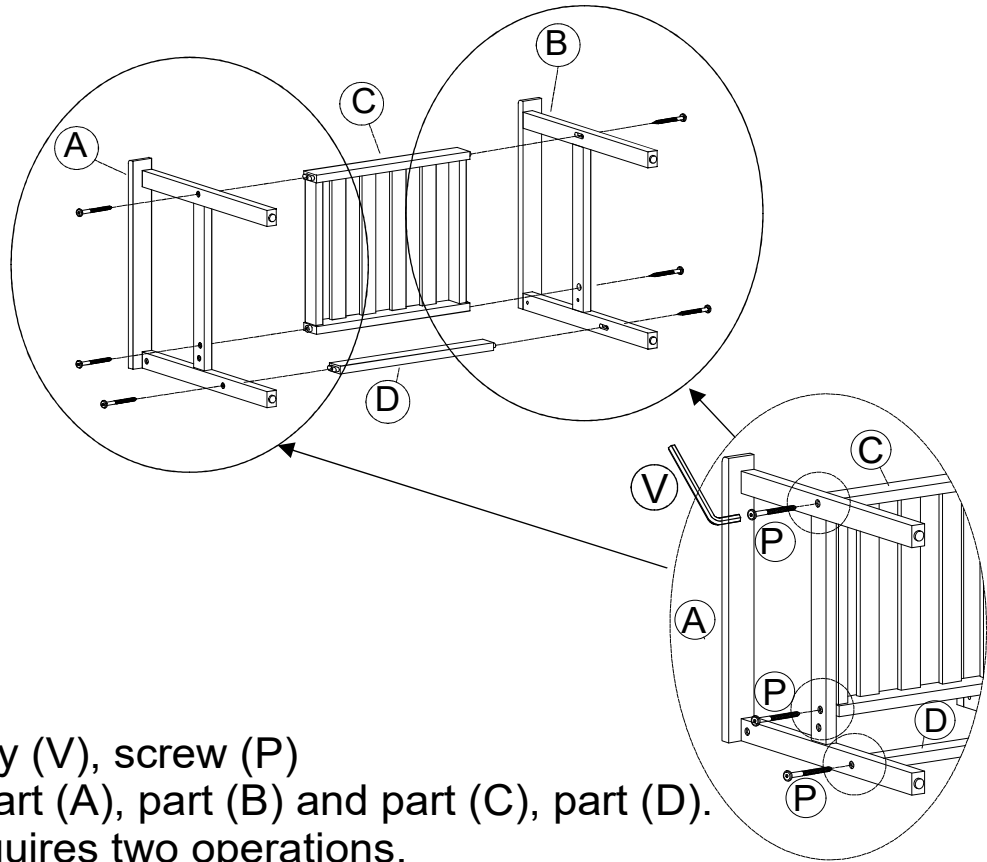
B x 1

C x 1

D x 1

P x 6

V x 1



Use the Allen key (V), screw (P)  
to connect the part (A), part (B) and part (C), part (D).  
This process requires two operations.  
Note: only tighten 80%

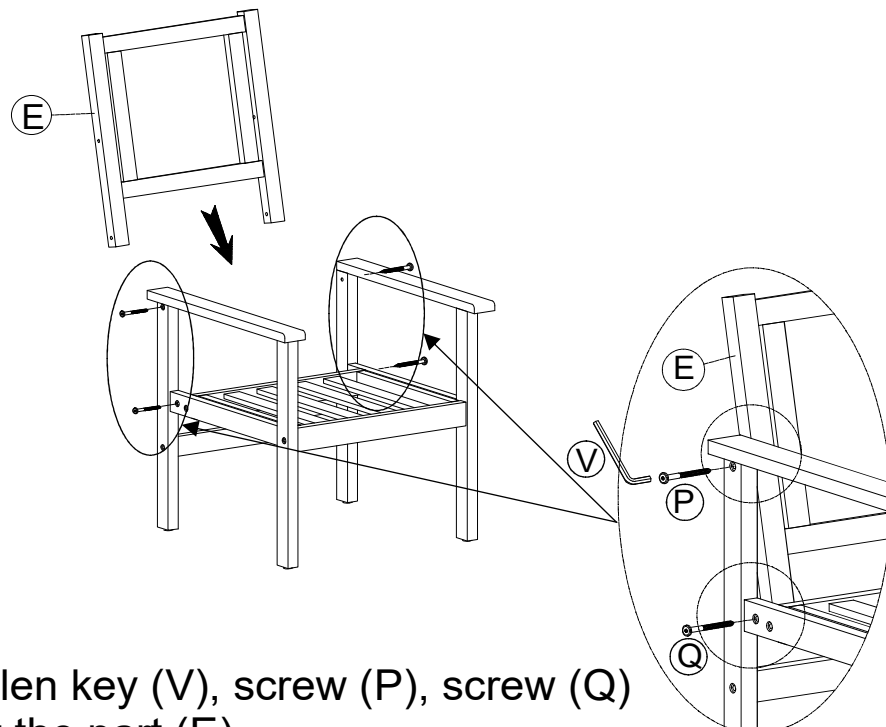
②

E x 1

P x 2

Q x 2

V x 1

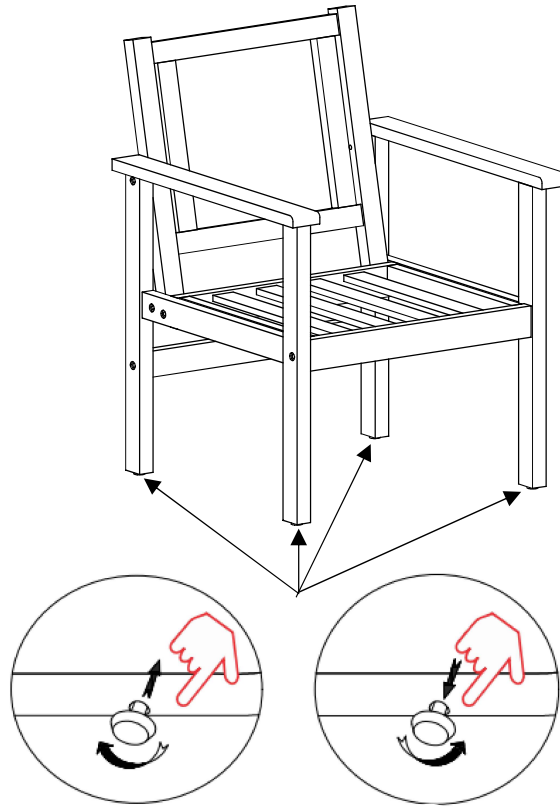


Use the Allen key (V), screw (P), screw (Q)  
to connect the part (E).  
This process requires two operations.  
Note: only tighten 80%

# Assembly Instructions

Please read this before you proceed

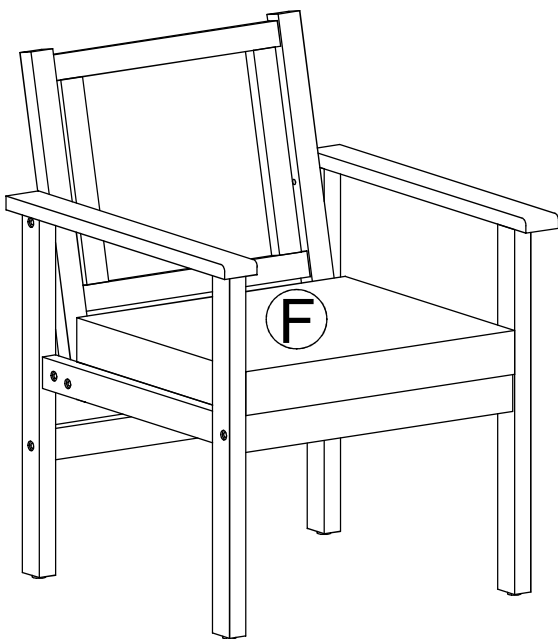
③



Adjust this position up or down

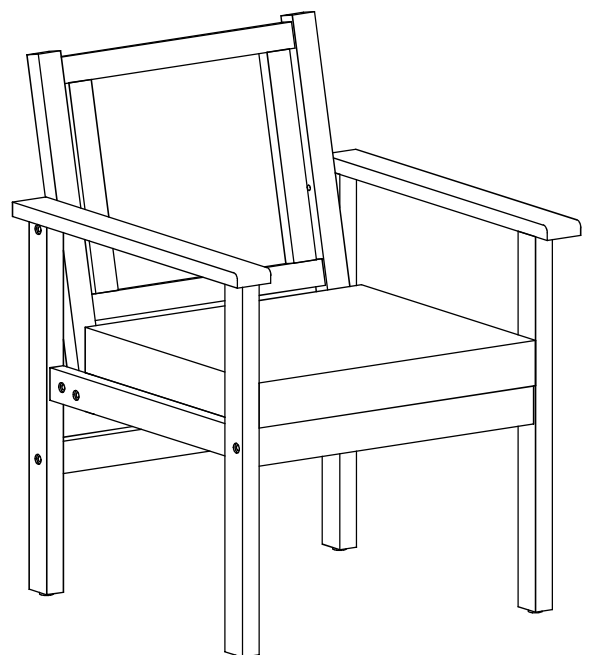
④

F x 1



Use part (F).

⑤



Finish